



MSZ-GA50VA

Inverter Heat Pump

R410A Wall Mounted System

This model has been completely redesigned and features the new Catechin filter system. It offers industry leading noise levels and also includes a wide swing & long airflow mode.

- **Anti-Allergy Enzyme filter is optional**



Pictures not to scale

Product Details

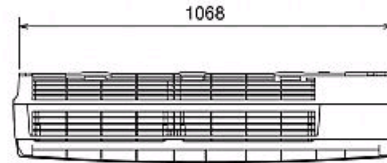
MSZ-GA50VA Indoor Unit	
Capacity (kW):	
Heating (Nominal) (Low - High)	5.90 (0.90 - 7.80)
Cooling (Nominal) (Low - High)	5.00 (0.90 - 5.90)
Heating (UK) (Low - High)	4.90 (0.75 - 6.50)
Cooling (UK) (Low - High)	4.95 (0.90 - 5.85)
SHF R410A (Nominal)	0.73
COP / EER (Nominal)	3.62 / 3.42
Energy Label Heating / Cooling	A / A
Width - mm	1100
Depth - mm	258
Height - mm	325
Weight - kg	16
Airflow (m3/min) (Heating /Cooling) - Lo-Mi-Hi	8.3-11.5-14.2 / 8.3-11.5-14.2
Noise (dBA) (Heating/Cooling) - Lo-Mi-Hi	31-38-48 / 31-38-48
Pipe Size Gas mm (in)	12.7 (1/2)
Pipe Size Liquid mm (in)	6.35 (1/4)
Electrical Supply	Fed by Outdoor Unit
Phase	Single
Fuse Rating (BS88) - HRC (A)	6
Interconnecting Cable No. Cores	4

MUZ-GA50VA Outdoor Unit	
Width - mm	840
Depth - mm	330
Height - mm	850
Weight - kg	53
Noise (dBA) (Heating/Cooling) - Lo-Hi	53-55 / 51-53
Electrical Supply	220-240v, 50Hz
Phase	Single
Fuse Rating (BS88) - HRC (A)	16
SystemPower Input (kW) - Heating (Nominal)	1.63
SystemPower Input (kW) - Cooling (Nominal)	1.46
SystemPower Input (kW) - Heating (UK)	1.48
SystemPower Input (kW) - Cooling (UK)	1.17
Starting Current (A)	7.46
SystemRunning Current (A) - Heating / Cooling	7.46 / 6.68
Mains Cable No. Cores	3
Max Pipe Length (m)	30
Max Height Difference (m)	15
Charge (kg) - 7m	1.8

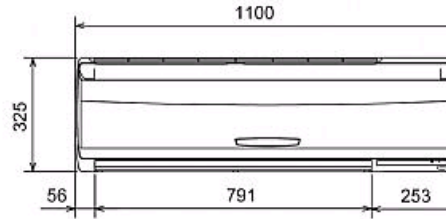
Dimensions

MSZ-GA50VA

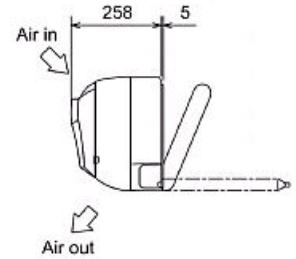
Upper View >



Front View >

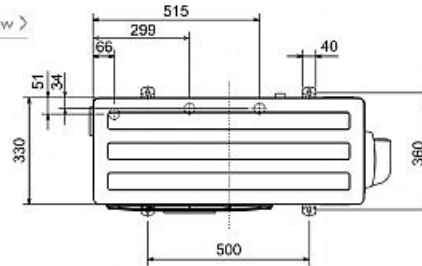


Side View >

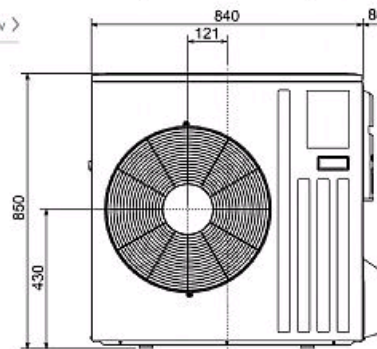


MUZ-GA50VA

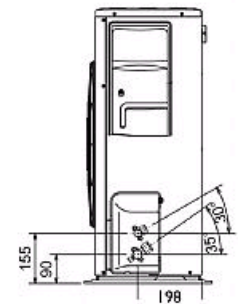
Upper View >



Front View >



Side View >



Telephone: 01707 282880

Email: air.conditioning@meuk.mee.com Website: <http://www.mitsubishielectric.co.uk/aircon>

Tel:
Fax:

Mitsubishi Electric reserves the right to make any variation in technical specification to the equipment described, or to withdraw or replace products without prior notification or public announcement.

