

MSZ-A-YV Inverter Heat Pump

R410A Wall Mounted System

New Series

The MSZ-A-YV series has been completely redesigned and features the new Catechin filter system. These models also offer industry leading noise levels and have a distinctively styled front panel that not only looks appealing but also helps to make cleaning of the unit easier.



- * Auto-Changeover available for MSZ-A09-12YV
- * Wide swing & long airflow mode available for MSZ-A18-26YV
- * The air cleaning filter is optional for MSZ-A18-26YV

Technical Information >>

MSZ-A-YV - INDOOR UNITS

MODEL REFERENCE		MSZ-A09YV	MSZ-A12YV	MSZ-A18YV	MSZ-A24YV	MSZ-A26YV
CAPACITY (kW)	Heating (nominal)	3.2 (0.9-5.0)	4.0 (0.9-6.0)	5.9 (0.9-7.8)	6.8 (0.9-8.1)	8.1 (0.9-9.6)
	Cooling (nominal)	2.5 (0.9-3.2)	3.5 (1.0-4.1)	5.0 (0.9-5.9)	6.0 (0.9-6.7)	7.1 (0.9-8.3)
	Heating (UK)	2.65 (0.75-4.15)	3.3 (0.75-5.0)	4.9 (0.75-6.5)	5.65 (0.75-6.75)	6.75 (0.75-8.0)
	Cooling (UK)	2.45 (0.85-3.15)	3.45 (0.95-4.05)	4.95 (0.85-5.85)	5.95 (0.85-6.65)	7.05 (0.85-8.25)
SHF (nominal)		0.79	0.76	0.65	0.64	0.63
COP / EER (nominal)		3.81 / 3.73	3.70 / 3.21	3.41 / 3.21	3.32 / 3.02	3.06 / 2.84
ENERGY LABEL	Heating/Cooling	A / A	A / A	B / A	C / B	D / C
AIRFLOW (m3/min)	Heating/Cooling - Lo-Mi-Hi	4.1-6.7-9.4 / 3.7-6.0-8.4	5.2-7.9-10.7 / 4.8-7.7-10.5	8.3-11.5-14.2 / 8.3-11.5-14.2	8.7-13.1-17.2 / 8.7-12.8-17.2	9.4-13.6-17.2 / 9.4-13.3-17.2
PIPE SIZE mm(in)	Gas	9.52 (3/8")	9.52 (3/8")	12.7 (1/2")	15.88 (5/8")	15.88 (5/8")
	Liquid	6.35 (1/4")	6.35 (1/4")	6.35 (1/4")	6.35 (1/4")	9.52 (3/8")
NOISE (dBA)	Lo-Mi-Hi	21-29-38	22-30-39	31-38-43	32-40-48	33-40-48
DIMENSIONS (mm)	Width	815	815	1100	1100	1100
	Depth	244	244	258	258	258
	Height	278	278	325	325	325
WEIGHT (kg)		9	10	16	16	16
ELECTRICAL SUPPLY		220-240v, 50Hz	220-240v, 50Hz	220-240v, 50Hz	220-240v, 50Hz	220-240v, 50Hz
POWER INPUT (kW)	(nominal)	0.035	0.04	0.06	0.069	0.069
	(UK)	0.035	0.04	0.06	0.069	0.069
STARTING CURRENT (A)		3.9	5.0	-	-	-
RUNNING CURRENT (A)		0.17	0.19	0.30	0.34	0.34
FUZE RATING (BS88) – HRC (A)		10	16	6	6	6

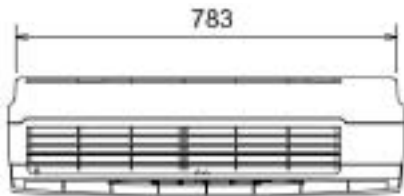
MUZ-A-YV - OUTDOOR UNITS

MODEL REFERENCE		MUZ-A09YV	MUZ-A12YV	MUZ-A18YV	MUZ-A24YV	MUZ-A26YV
NOISE (dBA)		46	48	55	55	55
WEIGHT (kg)		33	34	53	53	58
DIMENSIONS (mm)	Width	800	800	840	840	840
	Depth	285	285	330	330	330
	Height	550	550	850	850	850
ELECTRICAL SUPPLY		Fed by Indoor Unit	Fed by Indoor Unit	220-240v, 50Hz	220-240v, 50Hz	220-240v, 50Hz
POWER INPUT (kW)	Heating/Cooling (nominal)	0.805 / 0.635	1.04 / 1.05	1.67 / 1.5	1.981 / 1.921	2.581 / 2.431
	Heating/Cooling (UK)	0.733 / 0.508	0.946 / 0.84	1.52 / 1.2	1.803 / 1.537	2.349 / 1.945
STARTING CURRENT (A)		-	-	7.38	8.75	11.42
RUNNING CURRENT (A) Heating/Cooling		3.73 / 3.13	4.81 / 4.81	7.38 / 6.62	8.75 / 8.49	11.42 / 10.45
INTERCONNECTING CABLE No. CORES		4 Core 240v	4 Core 240v	2 Core 12v	2 Core 12v	2 Core 12v
MAX PIPE LENGTH (m)		20	20	30	30	30
MAX HEIGHT DIFFERENCE (m)		12	12	15	15	15
CHARGE R410A (kg) - 7m		0.80	0.90	1.80	1.80	2.00
FUZE RATING (BS88) – HRC (A)		-	-	20	25	25

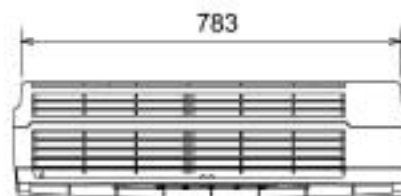
Notes: The MSZ-A18-26YV indoor units require a 240V 50hz single phase supply and the outdoor units require the same, separate supply. Between the indoor and outdoor units is a 2 core, low voltage interconnecting cable.

INDOOR UNIT MSZ-A09YV and MSZ-A12YV

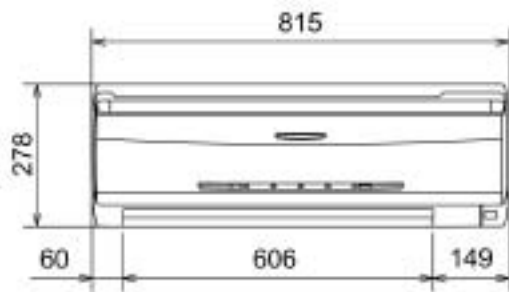
Upper View > Size 9



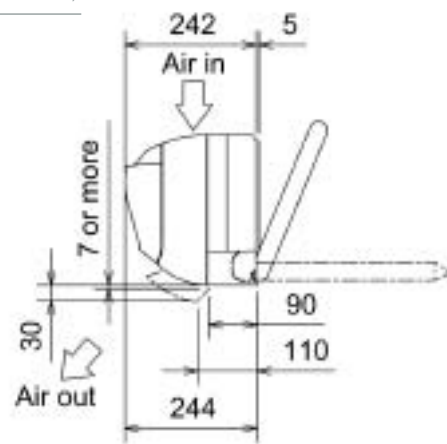
Upper View > Size 12



Front View >

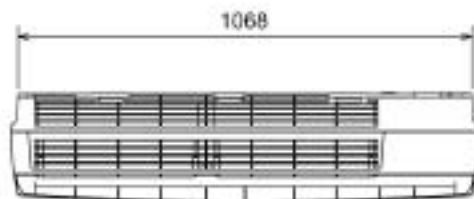


Side View >

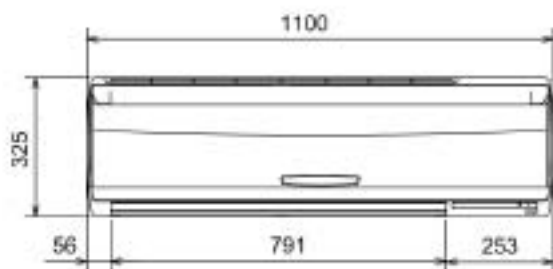


INDOOR UNIT MSZ-A18YV, MSZ-A24YV and MSZ-A26YV

Upper View >



Front View >



Side View >

