

# Air Conditioning

## Product Information

**MSZ-DM R410A**  
**Inverter Heat Pump**  
Classic Wall Mounted System

Making a  
World of  
Difference

M series



Mitsubishi Electric's range of classic, flat panel wall mounted models make use of inverter technology, whilst providing extremely good value for money, costing approximately 20% less than the MSZ-SF equivalent.

### Key Features

- Optional Wi-Fi interface now available with this model
- Extremely quiet sound levels whilst also delivering economical air conditioning with improved SCOP / SEER figures
- Silver-ionised air purifying filter as standard



Cooling | Heating | Ventilation | Controls

# Air Conditioning

## Product Information

### MSZ-DM R410A Inverter Heat Pump Classic Wall Mounted System

Making a  
World of  
Difference

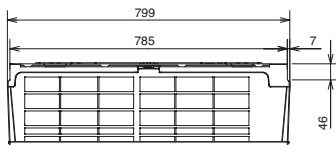


MSZ-DM - INDOOR UNITS		MSZ-DM25VA	MSZ-DM35VA
CAPACITY (kW)	Heating (nominal)	3.15 (0.9-4.4)	3.6 (0.9-4.8)
	Cooling (nominal)	2.5 (0.9-3.0)	3.1 (1.0-3.7)
	Heating (UK)	2.61 (0.74-3.65)	2.99 (0.74-3.98)
	Cooling (UK)	2.48 (0.89-2.97)	3.12 (0.99-3.67)
SHF (nominal)		0.89	0.87
COP / EER (nominal)		3.71 / 3.52	3.69 / 3.04
SCOP / SEER (BS EN14825)		4.1 / 5.8	4.3 / 5.7
ErP ENERGY EFFICIENCY CLASS	Heating/Cooling	A+ / A+	A+ / A+
AIRFLOW (l/s)	Heating/Cooling - Lo-Mi-Hi-SHi	58-92-125-166 / 63-92-122-158	58-92-125-172 / 63-95-130-182
PIPE SIZE mm (in)	Gas	9.52 (3/8")	9.52 (3/8")
	Liquid	6.35 (1/4")	6.35 (1/4")
SOUND PRESSURE LEVEL (dBA)	Heating/Cooling - Lo-Mi-Hi-SHi	23-30-37-43 / 22-30-37-43	23-30-37-43 / 22-30-37-43
SOUND POWER LEVEL (dBA)		57	57
DIMENSIONS (mm)	Width x Depth x Height	799 x 232 x 290	799 x 232 x 290
WEIGHT (kg)		9	9
ELECTRICAL SUPPLY		220-240v, 50Hz	220-240v, 50Hz
FUSE RATING (BS88) - HRC (A)		10	10
INTERCONNECTING CABLE No. CORES		4	4

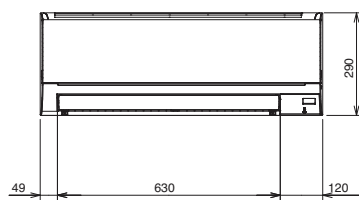
MUZ-DM - OUTDOOR UNITS		MUZ-DM25VA	MUZ-DM35VA
SOUND PRESSURE LEVEL (dBA)	Heating/Cooling	50 / 50	51 / 51
SOUND POWER LEVEL (dBA)	Cooling	63	64
WEIGHT (kg)		24	25
DIMENSIONS (mm)	Width x Depth x Height	699 x 249 x 538	699 x 249 x 538
ELECTRICAL SUPPLY		Fed by Indoor Unit	Fed by Indoor Unit
PHASE		Single	Single
SYSTEM POWER INPUT (kW)	Heating/Cooling (nominal)	0.85 / 0.71	0.975 / 1.020
	Heating/Cooling (UK)	0.77 / 0.56	0.88 / 0.81
STARTING CURRENT (A)		4.1	4.8
SYSTEM RUNNING CURRENT (A)	Heating/Cooling [MAX]	4.1 / 3.6 [5.8]	4.7 / 4.8 [6.5]
FUSE RATING (BS88) - HRC (A)		10	10
MAINS CABLE No. CORES		3	3
MAX PIPE LENGTH (m)		20	20
MAX HEIGHT DIFFERENCE (m)		12	12
CHARGE REFRIGERANT (kg) / CO <sub>2</sub> EQUIVALENT (t) - R410A (GWP 2088) - 7m		0.70 / 1.47	0.72 / 1.51
MAX ADDITIONAL REFRIGERANT (kg) / CO <sub>2</sub> EQUIVALENT (t) - R410A (GWP 2088)		0.26 / 0.55	0.26 / 0.55

### PRODUCT DIMENSIONS

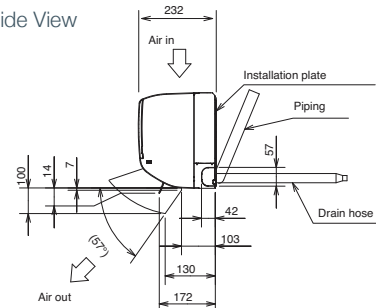
Upper View



Front View



Side View



Telephone: 01707 282880  
email: [air.conditioning@meuk.mee.com](mailto:air.conditioning@meuk.mee.com)  
web: [airconditioning.mitsubishielectric.co.uk](http://airconditioning.mitsubishielectric.co.uk)

UNITED KINGDOM Mitsubishi Electric Europe Living Environment Systems Division  
Travellers Lane, Hatfield, Hertfordshire, AL10 8XB, England General Enquiries Telephone: 01707 282880 Fax: 01707 278881

IRELAND Mitsubishi Electric Europe Westgate Business Park, Ballymount, Dublin 24, Ireland  
Telephone: Dublin (01) 419 8800 Fax: Dublin (01) 419 8890 International code: (003531)

Country of origin: United Kingdom - Japan - Thailand - Malaysia. ©Mitsubishi Electric Europe 2017. Mitsubishi and Mitsubishi Electric are trademarks of Mitsubishi Electric Europe B.V. The company reserves the right to make any variation in technical specification to the equipment described, or to withdraw or replace products without prior notification or public announcement. Mitsubishi Electric is constantly developing and improving its products. All descriptions, illustrations, drawings and specifications in this publication present only general particulars and shall not form part of any contract. All goods are supplied subject to the Company's General Conditions of Sale, a copy of which is available on request. Third-party product and brand names may be trademarks or registered trademarks of their respective owners.

Note: The fuse rating is for guidance only. Please refer to the relevant databook for detailed specification. It is the responsibility of a qualified electrician/electrical engineer to select the correct cable size and fuse rating based on current regulation and site specific conditions. Mitsubishi Electric's air conditioning equipment and heat pump systems contain a fluorinated greenhouse gas, R410A (GWP:2088), R32 (GWP:675), R407C (GWP:1774) or R134a (GWP:1430). \*These GWP values are based on Regulation (EU) No 517/2014 from IPCC 4th edition. In case of Regulation (EU) No.626/2011 from IPCC 3rd edition, these are as follows: R410A (GWP:1975), R32 (GWP: 550), R407C (GWP:1650) or R134a (GWP:1300).



[www.greengateway.mitsubishielectric.co.uk](http://www.greengateway.mitsubishielectric.co.uk)  
Mitsubishi Electric UK's commitment  
to the environment

Follow us @meuk\_Jes  
Follow us @green\_gateway

Mitsubishi Electric  
Living Environmental Systems UK

[mitsubishielectric2](https://www.youtube.com/channel/UCm5b1v1v1v1v1v1v1v1v1v1)

[thehub.mitsubishielectric.co.uk](http://thehub.mitsubishielectric.co.uk)

Effective as of September 2017