

OUTDOOR UNIT PARTS CATALOG



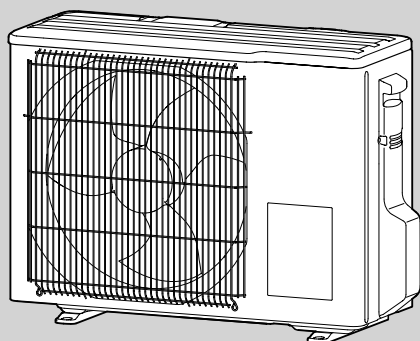
No. OBB648

Models

MUZ-HJ25VA - E1

MUZ-HJ35VA - E1

MUZ-HJ25VA
MUZ-HJ35VA



CONTENTS

1. RoHS PARTS LIST..... 2

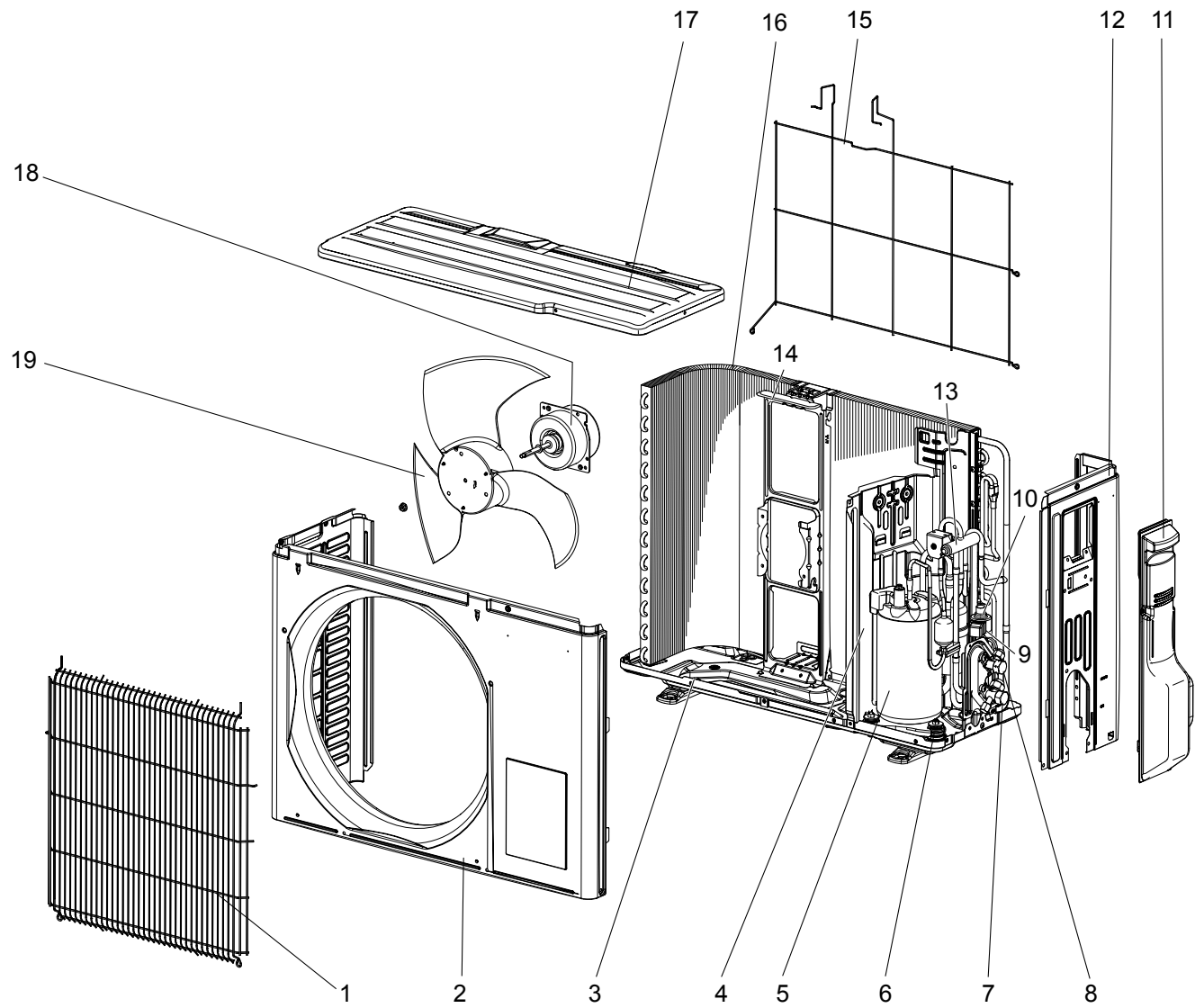
SERVICE MANUAL (OBH648)

NOTE:
RoHS compliant products have <G> mark on the spec name plate.



MUZ-HJ25VA MUZ-HJ35VA

1-1. OUTDOOR UNIT STRUCTURAL PARTS AND FUNCTIONAL PARTS



RoHS PARTS LIST

1-1. OUTDOOR UNIT STRUCTURAL PARTS AND FUNCTIONAL PARTS

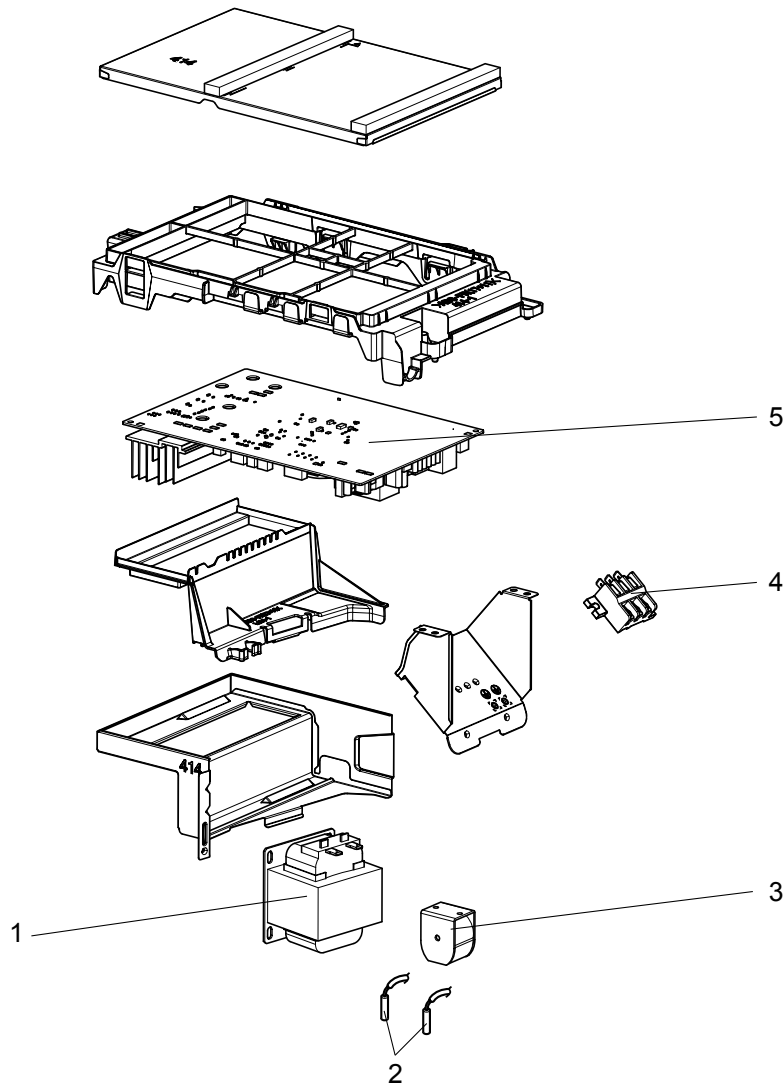
Part number that is circled is not shown in the illustration.

No.	RoHS	Part No.	Part Name	Symbol in Wiring Diagram	Q'ty/unit		Remarks
					MUZ-HJ		
					25VA- ^[E1]	35VA- ^[E1]	
1	G	E12 J98 521	GRILLE		1	1	
2	G	E12 J98 232	CABINET		1	1	
3	G	E12 J98 290	BASE		1	1	
4	G	E12 J98 293	SEPARATOR		1	1	
5	G	E12 J98 900	COMPRESSOR	MC	1		KNB065FUJHC
	G	E12 J99 900				1	KNB073FUVHC
6	G	E12 C34 506	COMPRESSOR RUBBER SET		3	3	3 RUBBERS/SET
7	G	E12 J98 661	STOP VALVE (GAS)		1	1	ø9.52
8	G	E12 J98 662	STOP VALVE (LIQUID)		1	1	ø6.35
9	G	E12 J98 493	EXPANSION VALVE COIL	LEV	1		
	G	E12 J99 493				1	
10	G	E12 J98 640	EXPANSION VALVE		1		
	G	E12 J99 640				1	
11	G	E12 J98 245	SERVICE PANEL		1	1	
12	G	E12 J98 233	BACK PANEL		1	1	
13	G	E12 D65 961	4-WAY VALVE		1	1	
14	G	E12 J98 515	MOTOR SUPPORT		1	1	
15	G	E12 J98 525	CONDENSER WIRE NET		1	1	
16	G	E12 J98 630	OUTDOOR HEAT EXCHANGER		1	1	
17	G	E12 J98 297	TOP PANEL		1	1	
18	G	E12 J98 301	OUTDOOR FAN MOTOR	MF	1	1	RA6V21-□□
19	G	E12 B72 501	PROPELLER		1	1	
⑳	G	E12 J98 936	CAPILLARY TUBE		1	1	ø3.0 × ø1.4 × 260

RoHS PARTS LIST

MUZ-HJ25VA MUZ-HJ35VA

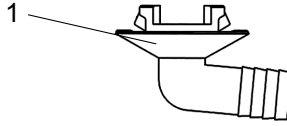
1-2. OUTDOOR UNIT ELECTRICAL PARTS



No.	RoHS	Part No.	Part Name	Symbol in Wiring Diagram	Q'ty/unit		Remarks
					MUZ-HJ		
					25VA-[E1]	35VA-[E1]	
1	G	E12 G10 337	REACTOR	L61	1	1	
2	G	E12 J98 306	THERMISTOR SET	RT61,RT62	1	1	DEFROST, DISCHARGE
3	G	E12 J98 490	R.V. COIL	21S4	1	1	
4	G	E12 927 374	TERMINAL BLOCK	TB	1	1	3 P
5	G	E12 J98 451	INVERTER P.C. BOARD		1		Including heat sink and RT64
	G	E12 J99 451				1	

RoHS PARTS LIST

MUZ-HJ25VA MUZ-HJ35VA
 1-3. DRAIN SOCKET



No.	RoHS	Part No.	Part Name	Symbol in Wiring Diagram	Q'ty/unit		Remarks	
					MUZ-HJ			
					25VA-[E1]	35VA-[E1]		
1	G	E12 817 704	DRAIN SOCKET		1	1		

mitsubishi electric corporation

HEAD OFFICE: TOKYO BLDG., 2-7-3, MARUNOUCHI, CHIYODA-KU, TOKYO 100-8310, JAPAN

© Copyright 2012 MITSUBISHI ELECTRIC CORPORATION
Distributed in Dec. 2012. No. OBB648
Made in Japan

New publication, effective Dec. 2012
Specifications are subject to change without notice.