

Air Conditioning

Product Information

MSZ-HJ35VA : Classic Inverter Heat Pump

R410A Wall Mounted System



Mitsubishi Electric's range of high specification, flat panel wall mounted models make use of inverter technology, whilst providing extremely good value for money, costing approximately 20% less than the MSZ-SF equivalent. These units have extremely quiet sound levels, whilst also delivering economical air conditioning, with improved SCOP/SEER figures.

FEATURES



INDOOR

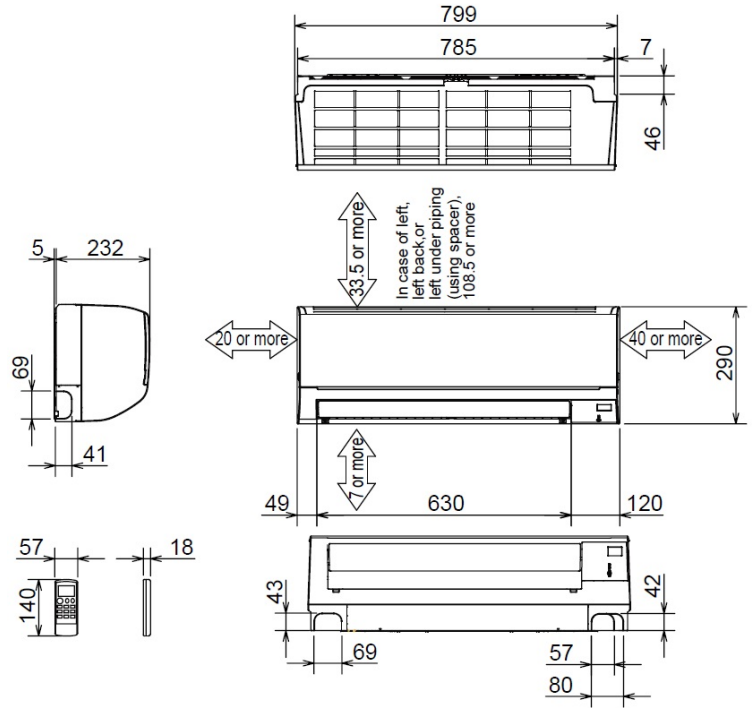
Heating Capacity (kW) (nominal)	3.6 (0.9 - 4.8)
Cooling Capacity (kW) (nominal)	3.15 (1 - 3.7)
Heating Capacity (kW) (UK)	2.99 (0.74 - 3.98)
Cooling Capacity (kW) (UK)	3.12 (0.99 - 3.67)
SHF (nominal and UK)	0.87
COP / EER (nominal)	3.62 / 3.03
SCOP / SEER	3.8 / 5.1
Energy Label (nominal)	A / B
Airflow (m³/min) (Heating) - Lo-Mi-Hi-SupHi	3.4 - 5.5 - 7.5 - 10.3
Airflow (m³/min) (Cooling) - Lo-Mi-Hi-SupHi	3.8 - 5.7 - 7.8 - 10.9
Pipe Size Gas (mm [in])	9.52 (3/8)
Pipe Size Liquid (mm [in])	6.35 (1/4)
Sound Pressure Level (dBA) Heating - Lo-Mi-Hi-SupHi	23 - 30 - 37 - 44
Sound Pressure Level (dBA) Cooling - Lo-Mi-Hi-SupHi	22 - 31 - 37 - 45
Sound Power Level (dBA) Cooling	60
Dimensions (mm) Width x Depth x Height	799 x 232 x 290
Weight (kg)	9
Electrical Supply	220-240V, 50HZ
Phase	SINGLE
Fuse Rating (BS88) - HRC (A)	10
Interconnecting Cable No. Cores	4

OUTDOOR

Sound Pressure Level (dBA) Heating / Cooling	50 / 50
Sound Power Level (dBA) Cooling	64
Weight (kg)	25
Dimensions (mm) Width x Depth x Height	699 x 249 x 530
Electrical Supply	FED BY INDOOR UNIT
Phase	SINGLE
System Power Input (kW) - Heating / Cooling (nominal)	0.995 / 1.04
System Power Input (kW) - Heating / Cooling (UK)	0.9 / 0.83
Starting Current (A)	4.9
System Running Current (A) [MAX] - Heating / Cooling	4.8 / 4.9 [6.5]
Fuse Rating (BS88) - HRC (A)	10
Mains Cable No. Cores	3
Max Pipe Length (m)	20
Max Height Difference (m)	12
Charge R410A (kg) - (pre charged length)	0.72 (7)

DIMENSIONS

MSZ-HJ35



DIMENSIONS

MUZ-HJ35

