

Revision A:

• MUZ-FD25VAH-**E2** has been added.

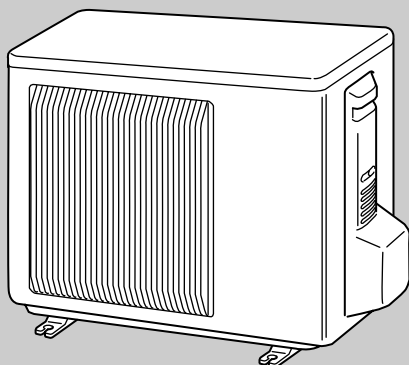
Please void OBB489.

OUTDOOR UNIT PARTS CATALOG

No. OBB489
REVISED EDITION-A

Wireless type Models

- MUZ-FD25VA** - **E1**
- MUZ-FD25VAH** - **E1**
- MUZ-FD25VAH** - **E2**
- MUZ-FD35VA** - **E1**
- MUZ-FD35VAH** - **E1**



CONTENTS

1. RoHS PARTS LIST2

SERVICE MANUAL (OBH489)

NOTE:
RoHS compliant products have <G> mark on the spec name plate.



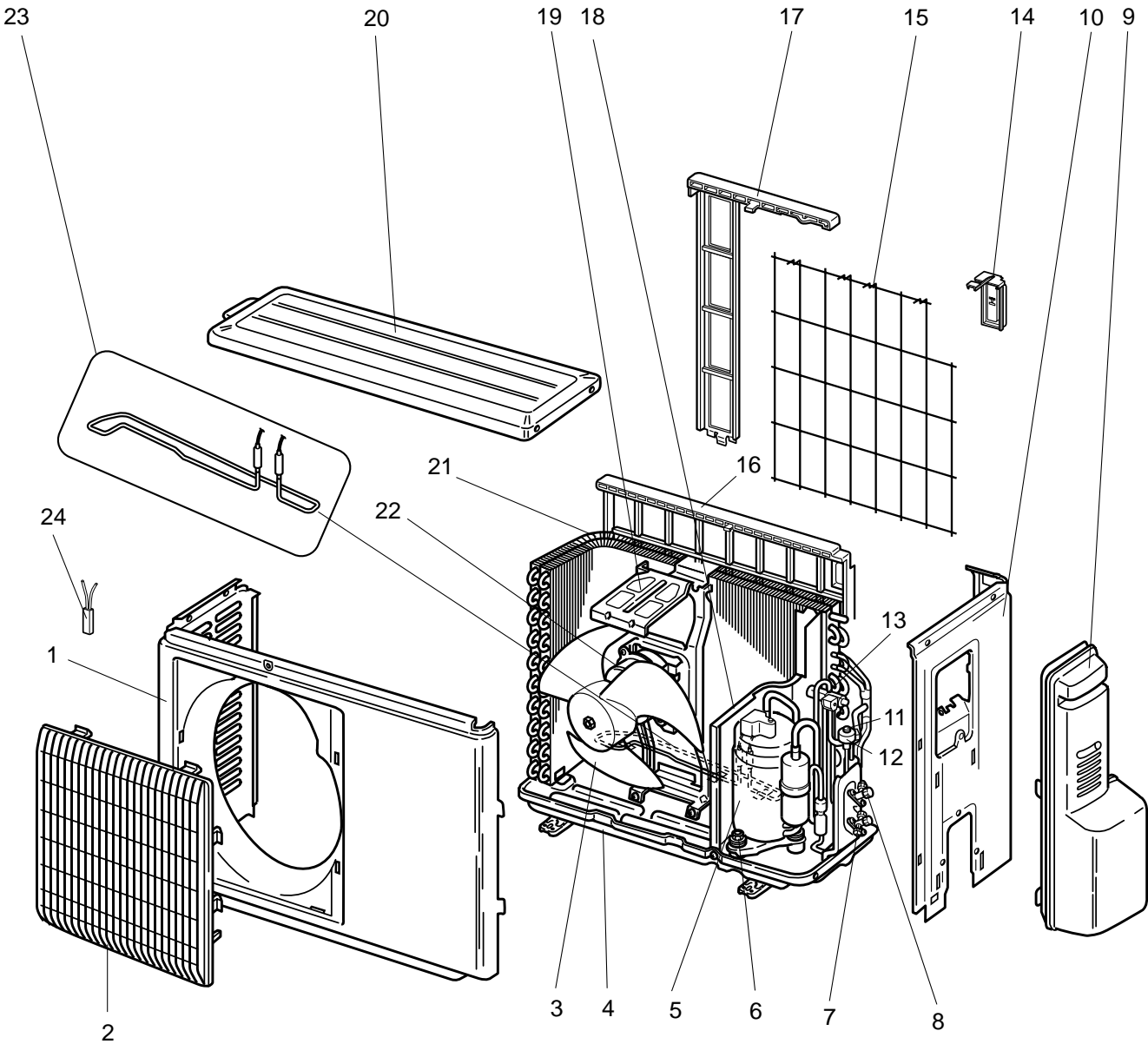
1

RoHS PARTS LIST

MUZ-FD25VA MUZ-FD25VAH

MUZ-FD35VA MUZ-FD35VAH

1-1. OUTDOOR UNIT STRUCTURAL PARTS AND FUNCTIONAL PARTS



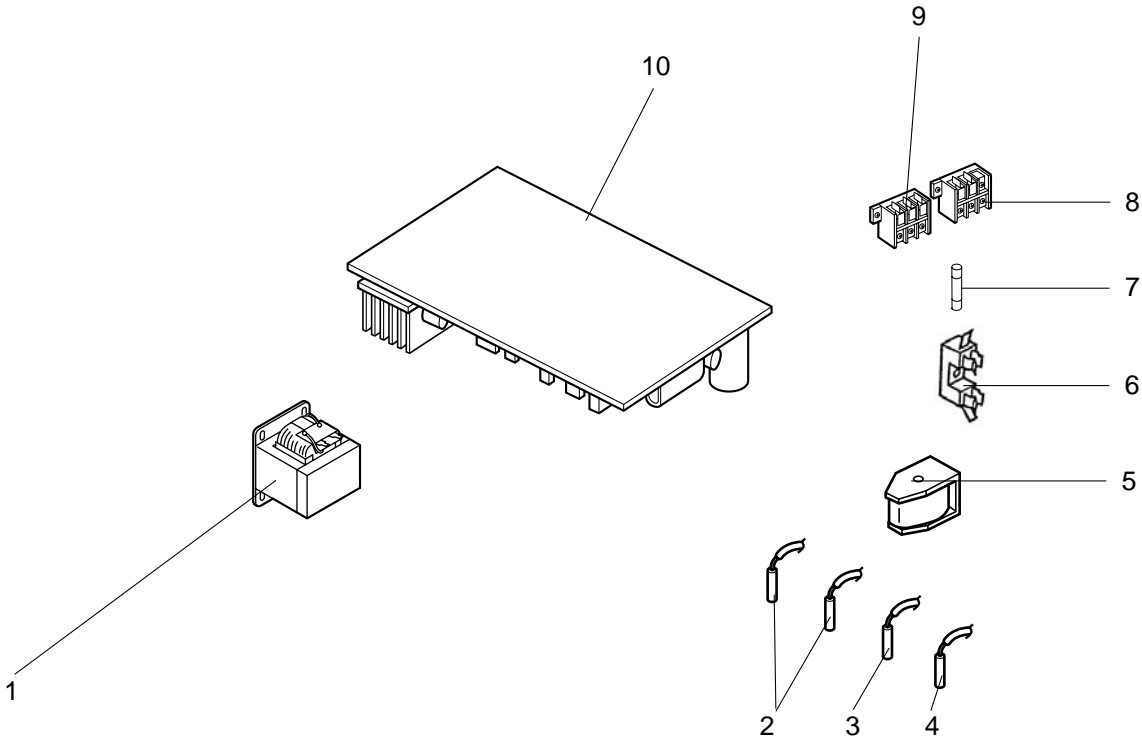
MUZ-FD25VA MUZ-FD25VAH
 MUZ-FD35VA MUZ-FD35VAH

1-1. OUTDOOR UNIT STRUCTURAL PARTS AND FUNCTIONAL PARTS

Part number that is circled is not shown in the illustration.

No.	R/S	Part No.	Part Name	Symbol in Wiring Diagram	Q'ty/unit					Remarks
					MUZ- FD25VA-	MUZ- FD25VAH-		MUZ- FD35VA-	MUZ- FD35VAH-	
					<u>E1</u>	<u>E1</u>	<u>E2</u>	<u>E1</u>	<u>E1</u>	
1	G	E12 927 232	CABINET		1	1	1	1	1	
2	G	E12 927 521	GRILLE		1	1	1	1	1	
3	G	E12 927 501	PROPELLER		1	1	1	1	1	
4	G	E12 927 290	BASE		1			1		
	G	E12 928 290	BASE			1	1		1	
5	G	E12 C37 900	COMPRESSOR	MC	1	1	1	1	1	SNB130FGBH
6	G	E12 C34 506	COMPRESSOR RUBBER SET		3	3	3	3	3	3RUBBERS/SET
7	G	E12 927 661	STOP VALVE (GAS)		1	1	1	1	1	φ9.52
8	G	E12 927 662	STOP VALVE (LIQUID)		1	1	1	1	1	φ6.35
9	G	E12 927 245	SERVICE PANEL		1	1	1	1	1	
10	G	E12 C37 233	BACK PANEL		1	1	1	1	1	
11	G	E12 838 640	EXPANSION VALVE		1	1	1	1	1	
12	G	E12 927 493	EXPANSION VALVE COIL	LEV	1	1	1	1	1	
13	G	E12 931 961	4-WAY VALVE		1	1	1	1	1	
14	G	E12 930 079	THERMO HOLDER			1	1		1	
15	G	E12 930 525	CONDENSER WIRE NET			1	1		1	
16	G	E12 929 523	CONDENSER NET		1			1		
17	G	E12 930 523	CONDENSER NET			1	1		1	
18	G	E12 C34 293	SEPARATOR		1			1		
	G	E12 C36 293	SEPARATOR			1	1		1	
19	G	E12 929 515	MOTOR SUPPORT		1	1	1	1	1	
20	G	E12 927 297	TOP PANEL		1	1	1	1	1	
21	G	E12 C34 630	OUTDOOR HEAT EXCHANGER		1	1	1	1	1	
22	G	E12 C34 301	OUTDOOR FAN MOTOR	MF	1	1	1	1	1	RC0J50-□□
23	G	E12 C36 526	DEFROST HEATER	H		1	1		1	
24	G	E12 C36 381	HEATER PROTECTOR	26H		1	1		1	
25	G	E12 927 937	CAPILLARY TUBE		1	1	1	1	1	φ3.0×φ2.0×240
26	G	E12 735 936	CAPILLARY TUBE		2	2	2	2	2	φ3.0×φ1.8×600

MUZ-FD25VA MUZ-FD25VAH
MUZ-FD35VA MUZ-FD35VAH
1-2. OUTDOOR UNIT ELECTRICAL PARTS



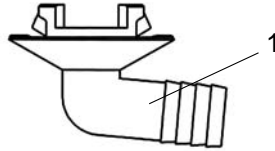
Part number that is circled is not shown in the illustration.

No.	RoHS	Part No.	Part Name	Symbol in Wiring Diagram	Q'ty/unit					Remarks
					MUZ-FD25VA- E1	MUZ-FD25VAH- E1	MUZ-FD25VAH- E2	MUZ-FD35VA- E1	MUZ-FD35VAH- E1	
1	G	E12 838 337	REACTOR	L61	1	1	1	1	1	
2	G	E12 C34 306	THERMISTOR SET	RT61,RT62	1	1	1	1	1	DEFROST, DISCHARGE
3	G	E12 927 308	AMBIENT TEMPERATURE THERMISTOR	RT65	1	1	1	1	1	
4	G	E12 C34 307	OUTDOOR HEAT EXCHANGER TEMPERATURE THERMISTOR	RT68	1	1	1	1	1	
5	G	E12 C34 490	R.V. COIL	21S4	1	1	1	1	1	
6	G	E12 735 241	FUSE HOLDER		1	1	1	1	1	
7	G	E12 735 382	FUSE	F61	1	1	1	1	1	T20AL250V
8	G	E12 573 375	TERMINAL BLOCK	TB1	1	1	1	1	1	3P
9	G	E12 927 374	TERMINAL BLOCK	TB2	1	1	1	1	1	3P
10	G	E12 C34 451	INVERTER P.C. BOARD		1					Including heat sink and RT64
	G	E12 C35 451	INVERTER P.C. BOARD				1			Including heat sink and RT64
	G	E12 C36 451	INVERTER P.C. BOARD			1	1			Including heat sink and RT64
	G	E12 C37 451	INVERTER P.C. BOARD					1		Including heat sink and RT64
(11)	G	E12 127 382	FUSE	F701,F801,F901	1	1	1	1	1	T3.15AL250V
(12)	G	E12 661 385	VARISTOR	NR61~64	1	1	1	1	1	



MUZ-FD25VA MUZ-FD35VA

1-3. DRAIN SOCKET



No.	RoHS	Parts No.	Parts Name	Symbol in Wiring Diagram	Q'ty/unit		Remarks
					MUZ-FD25VA- <input type="checkbox"/> E1	MUZ-FD35VA- <input type="checkbox"/> E1	
1	G	E12 838 704	DRAIN SOCKET		1	1	



© Copyright 2007 MITSUBISHI ELECTRIC ENGINEERING CO.,LTD
Distributed in Oct. 2007. No. OBB489 REVISED EDITION-A 6
Distributed in Aug. 2007. No. OBB489 6
Made in Japan

New publication, effective Oct. 2007
Specifications subject to change without notice.