

Air Conditioning

Product Information

MSZ-EF
Wall Mounted Indoor Unit +
PAC-LV11M LEV Kit Interface

Making a
World of
Difference

CITY MULTI



The **MSZ-EF Zen Series** is a wall mounted system that blends energy efficiency with a sophisticated, streamlined design.

Combining an impressively low power consumption with a quiet, yet powerful performance, units have a distinctively styled front panel that not only looks appealing, but also helps to make cleaning of the unit easier.

Designed to complement modern interior décor and suitable for a wide range of applications, Zen units blend in naturally wherever they are installed and are available in three striking colours; black, silver and white. To aid control and energy saving, the universal controller has an in built 7 day timeclock.

Key Features

- Stylish design in a range of three distinct colours
- Energy efficient operation with a powerful performance
- Recognised by the Noise Abatement Society and awarded the Quiet Mark for industry leading low noise levels



Cooling | Heating | Ventilation | Controls

Air Conditioning

Product Information

MSZ-EF
Wall Mounted Indoor Unit +
PAC-LV11M LEV Kit Interface

Making a
World of
Difference



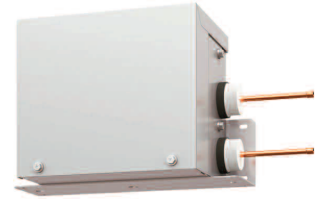
Black (B)



Silver (S)



White (W)



INDOOR UNITS		MSZ-EF25VE3 B/S/W	MSZ-EF35VE3 B/S/W	MSZ-EF50VE3 B/S/W
CAPACITY (kW)	Heating (nominal)	3.2	4.0	5.8
	Cooling (nominal)	2.5	3.5	5.0
	Heating (UK)	2.65	3.32	4.82
	Cooling (UK)	2.48	3.47	4.96
POWER INPUT (kW)	Heating (nominal)	0.027	0.031	0.034
	Cooling (nominal)	0.014	0.014	0.018
AIRFLOW (l/s)	Heating (SLo-Lo-Mi-Hi-SHi)	67-77-103-148-198	67-77-103-148-212	107-122-150-185-220
	Cooling (SLo-Lo-Mi-Hi-SHi)	67-77-105-138-175	67-77-105-138-175	97-113-132-155-183
SOUND PRESSURE LEVEL (dBA)	Heating (SLo-Lo-Mi-Hi-SHi)	21-24-29-37-45	21-24-30-38-46	30-33-37-43-49
	Cooling (SLo-Lo-Mi-Hi-SHi)	21-23-29-36-42	21-24-29-36-42	30-33-36-40-43
WEIGHT (KG)		11.5	11.5	11.5
DIMENSIONS (mm)	Width	885	885	885
	Depth	195	195	195
	Height	299	299	299
ELECTRICAL SUPPLY		Fed by PAC-LV11M	Fed by PAC-LV11M	Fed by PAC-LV11M
RUNNING CURRENT (A)	Heating / Cooling	0.26 / 0.14	0.30 / 0.14	0.32 / 0.18
FUSE RATING (BS88) - HRC (A)		6	6	6
INTERCONNECTING CABLES NO. CORES		3	3	3

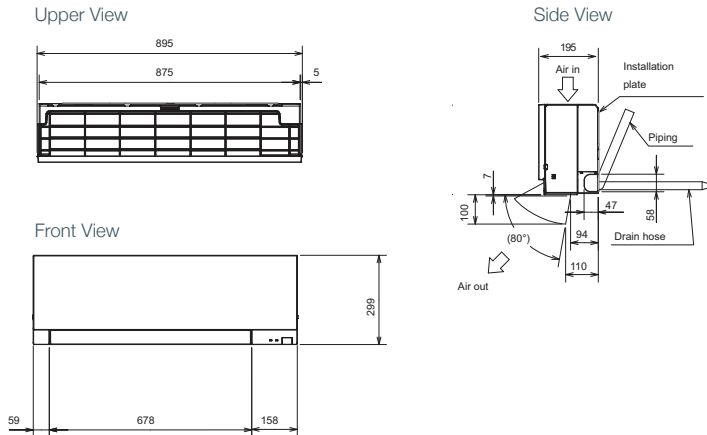
Notes: Black (B), Silver (S), White (W)

LEV KIT INTERFACE		PAC-LV11M
PIPE SIZE (mm) (in)	Gas / Liquid	- / 6.35 (1/4")
WEIGHT (kg)		3.5
DIMENSIONS (mm)	Width x Depth x Height	355 x 142 x 183
ELECTRICAL SUPPLY		220-240v, 50Hz, Single Phase
FUSE RATING (BS88) - HRC (A)		6
MAINS CABLE NO. CORES		3

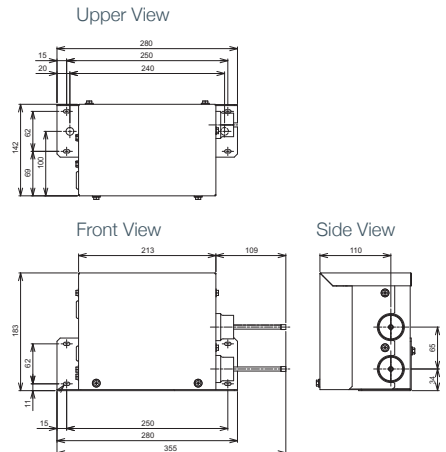
These indoor units cannot be grouped with other City Multi indoor units. Group control with other M Series indoor units + PAC-LV11M is possible via ME controller or system controller only. Group control is not possible via an MA controller, IT terminal or wireless remote controller. ME control functions energy management, charge apportioning, interlock and free contact are not available.

PRODUCT DIMENSIONS

MSZ-EF25/35/50VE3 B/S/W



PAC-LV11M



Telephone: 01707 282880
email: air.conditioning@meuk.mee.com
web: airconditioning.mitsubishielectric.co.uk

UNITED KINGDOM Mitsubishi Electric Europe Living Environment Systems Division
Travellers Lane, Hatfield, Hertfordshire, AL10 8XB, England General Enquiries Telephone: 01707 282880 Fax: 01707 278881

IRELAND Mitsubishi Electric Europe Westgate Business Park, Ballymount, Dublin 24, Ireland
Telephone: Dublin (01) 419 8800 Fax: Dublin (01) 419 8890 International code: (003531)

Country of origin: United Kingdom - Japan - Thailand - Malaysia. ©Mitsubishi Electric Europe 2017. Mitsubishi and Mitsubishi Electric are trademarks of Mitsubishi Electric Europe B.V. The company reserves the right to make any variation in technical specification to the equipment described, or to withdraw or replace products without prior notification or public announcement. Mitsubishi Electric is constantly developing and improving its products. All descriptions, illustrations, drawings and specifications in this publication present only general particulars and shall not form part of any contract. All goods are supplied subject to the Company's General Conditions of Sale, a copy of which is available on request. Third-party product and brand names may be trademarks or registered trademarks of their respective owners.

Note: The fuse rating is for guidance only. Please refer to the relevant databook for detailed specification. It is the responsibility of a qualified electrician/electrical engineer to select the correct cable size and fuse rating based on current regulation and site specific conditions. Mitsubishi Electric's air conditioning equipment and heat pump systems contain a fluorinated greenhouse gas, R410A (GWP:2088), R32 (GWP:675), R407C (GWP:1774) or R134a (GWP:1430). *These GWP values are based on Regulation (EU) No 517/2014 from IPCC 4th edition. In case of Regulation (EU) No.626/2011 from IPCC 3rd edition, these are as follows: R410A (GWP:1975), R32 (GWP: 550), R407C (GWP:1650) or R134a (GWP:1300).



www.greengateway.mitsubishielectric.co.uk
Mitsubishi Electric UK's commitment to the environment

Follow us @meuk_Jes
Follow us @green_gateway

Mitsubishi Electric
Living Environmental Systems UK

mitsubishielectric2

thehub.mitsubishielectric.co.uk

Effective as of September 2017