



MSH-GA60VB

Heat Pump

R410A Classic Wall Mounted System

Mitsubishi Electric's new range of high specification, flat panel wall mounted models make use of traditional fixed speed technology, whilst providing extremely good value for money, costing approximately 30% less than the inverter equivalent. These units have extremely quiet sound levels, whilst also delivering economical air conditioning, with improved COP/EER figures. Ideal for use in any size room, this unit comes equipped with a wide-angle airflow system, as well as an automatic swing vane, allowing airflow to be extended to every corner of a room.

- **Air Cleaning Filter is optional**



Pictures not to scale

Product Details

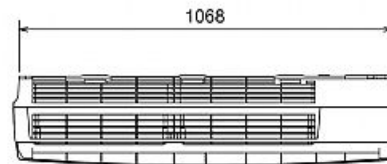
MSH-GA60VB Indoor Unit	
Capacity (kW):	
Heating (Nominal)	7.2
Cooling (Nominal)	6.3
Heating (UK)	6.0
Cooling (UK)	6.25
SHF R410A (Nominal)	0.64
COP / EER (Nominal)	2.9 / 2.61
Energy Label Heating / Cooling	D / D
Width - mm	1100
Depth - mm	258
Height - mm	325
Weight - kg	16
Airflow (m3/min) (Heating /Cooling) - Lo-Mi-Hi	8.8-10.7-12.8 / 9.8-11.2-12.8
Noise (dBA) (Heating/Cooling) - Lo-Mi-Hi	34-40-45 / 37-41-45
Pipe Size Gas mm (in)	15.88 (5/8)
Pipe Size Liquid mm (in)	6.35 (1/4)
Electrical Supply	220-240v, 50Hz
Phase	Single
Fuse Rating (BS88) - HRC (A)	6
Power Input (kW) - Heating (Nominal)	0.06
Power Input (kW) - Cooling (Nominal)	0.06
Power Input (kW) - Heating (UK)	0.06
Power Input (kW) - Cooling (UK)	0.06
Running Current (A) - Heating / Cooling	0.3 / 0.3
Interconnecting Cable No. Cores	2 Core 12v

MUH-GA60VB Outdoor Unit	
Width - mm	840
Depth - mm	330
Height - mm	850
Weight - kg	74
Noise (dBA) (Heating /Cooling) - Lo-Mi-Hi	34-40-45 / 37-41-45
Electrical Supply	220-240v, 50Hz
Phase	Single
Fuse Rating (BS88) - HRC (A)	20
Power Input (kW) - Heating (Nominal)	2.42
Power Input (kW) - Cooling (Nominal)	2.35
Power Input (kW) - Heating (UK)	2.197
Power Input (kW) - Cooling (UK)	1.868
Starting Current (A)	74
Running Current (A) - Heating / Cooling	10.7 / 10.39
Mains Cable No. Cores	3
Max Pipe Length (m)	25
Max Height Difference (m)	10
Charge (kg) - 7m	2.35

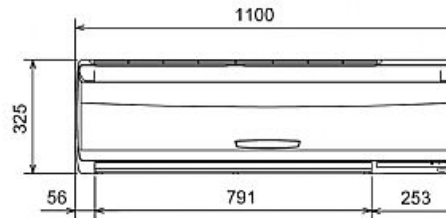
Dimensions

MSH-GA60VB

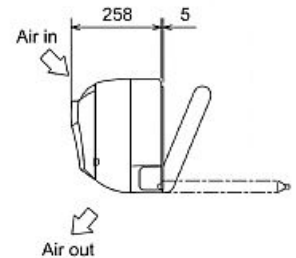
Upper View >



Front View >

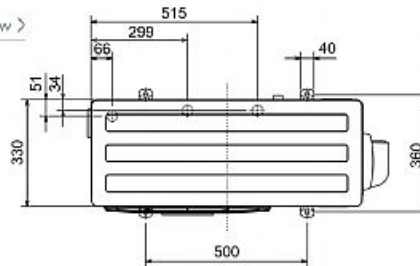


Side View >

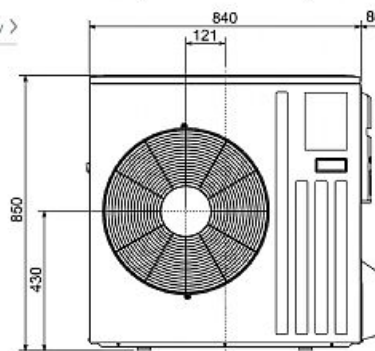


MUH-GA60VB

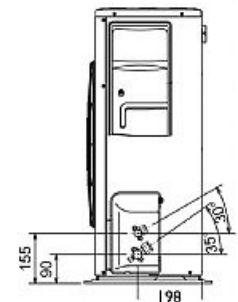
Upper View >



Front View >



Side View >



Telephone: 01707 282880

Email: air.conditioning@meuk.mee.com Website: <http://www.mitsubishielectric.co.uk/aircon>

Mitsubishi Electric reserves the right to make any variation in technical specification to the equipment described, or to withdraw or replace products without prior notification or public announcement.

Tel:
Fax:

