

# MSC-A-YV/MS-A-WV Cooling Only

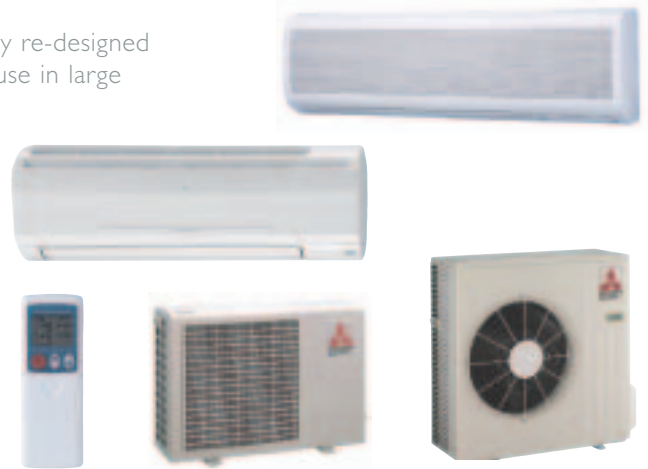
## R410A Wall Mounted System

New Series

The MSC-A-YV / MS-A-WV series has been completely re-designed and features the new Catechin filter system. Ideal for use in large rooms, it comes equipped with a wide-angle airflow system as well as an automatic swing vane, allowing airflow to be extended to every corner of the room.



\* Wide swing & long airflow mode available for MS-A18-30WV  
 \* Air cleaning filter is optional for MS-A18-30WV



Technical Information >>

### MSC-A-YV/MS-A-WV - INDOOR UNITS

MODEL REFERENCE		MSC-A07YV	MSC-A09YV	MSC-A12YV	MS-A18WV	MS-A24WV	MS-A30WV
CAPACITY (kW)	Cooling (nominal)	2.3	2.55	3.5	5.0	6.5	8.5
	Cooling (UK)	2.25	2.5	3.45	4.95	6.45	8.45
SHF (nominal)		0.74	0.70	0.66	0.65	0.63	0.62
EER (nominal)		3.22	3.21	3.07	2.76	2.62	2.61
ENERGY LABEL		A	A	B	D	D	D
AIRFLOW (m <sup>3</sup> /min)	Lo-Mi-Hi	4.6-6.2-7.9	5.1-6.4-7.9	5.4-7.4-9.7	8.8-10.7-12.8	9.8-11.2-12.8	11.4-13.7-16.0
PIPE SIZE mm(in)	Gas	9.52 (3/8")	9.52 (3/8")	12.7 (1/2")	12.7 (1/2")	15.88 (5/8")	15.88 (5/8")
	Liquid	6.35 (1/4")	6.35 (1/4")	6.35 (1/4")	6.35 (1/4")	6.35 (1/4")	9.52 (3/8")
NOISE (dBA)	Lo-Mi-Hi	25-31-36	25-31-36	26-33-40	34-38-42	37-41-45	37-42-47
DIMENSIONS (mm)	Width	815	815	815	1100	1100	1100
	Depth	244	244	244	227	227	227
	Height	278	278	278	325	325	325
WEIGHT (kg)		9	9	10	16	16	16
ELECTRICAL SUPPLY		220-240v, 50Hz	220-240v, 50Hz	220-240v, 50Hz	220-240v, 50Hz	220-240v, 50Hz	220-240v, 50Hz
POWER INPUT (kW)	(nominal)	0.035	0.035	0.04	0.06	0.06	0.069
	(UK)	0.035	0.035	0.04	0.06	0.06	0.069
STARTING CURRENT (A)		-	-	-	-	-	-
RUNNING CURRENT (A)		0.17	0.17	0.19	0.30	0.30	0.34
FUSE RATING (BS88) – HRC (A)		6	6	6	6	6	6

### MU-A-YV/MU-A-WV - OUTDOOR UNITS

MODEL REFERENCE		MU-A07YV	MU-A09YV	MU-A12YV	MU-A18WV	MU-A24WV	MU-A30WV
NOISE (dBA)		45	45	49	52	53	55
WEIGHT (kg)		34	34	36	44	60	75
DIMENSIONS (mm)	Width	780	780	780	850	850	840
	Depth	255	255	255	290	290	330
	Height	540	540	540	605	605	850
ELECTRICAL SUPPLY		220-240v, 50Hz	220-240v, 50Hz	220-240v, 50Hz	220-240v, 50Hz	220-240v, 50Hz	220-240v, 50Hz
POWER INPUT (kW)	(nominal)	0.68	0.76	1.1	1.75	2.42	3.191
	(UK)	0.544	0.608	0.88	1.4	1.936	2.553
STARTING CURRENT (A)		23	24	29	37	74	90
RUNNING CURRENT (A)		3.00	3.32	4.92	7.90	10.82	14.42
INTERCONNECTING CABLE No. CORES		2 Core 12v	2 Core 12v	2 Core 12v	2 Core 12v	2 Core 12v	2 Core 12v
MAX PIPE LENGTH (m)		20	20	25	25	25	30
MAX HEIGHT DIFFERENCE (m)		10	10	10	10	10	15
CHARGE R410A (kg) - 7m		0.60	0.60	0.75	1.40	1.90	2.30
FUSE RATING (BS88) – HRC (A)		16	16	16	16	20	25

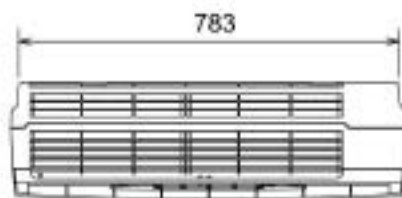
Notes: The indoor units require a 240v 50hz single phase supply and the outdoor units require the same, separate supply. Between the indoor and outdoor unit is a 2 Core, low voltage interconnecting cable. The MSC-A-YV indoor unit is a common unit for heating and cooling. The MU-A-YV outdoor unit is cooling only.

**INDOOR UNIT** MSC-A07YV, MSC-A09YV and MSC-A12YV

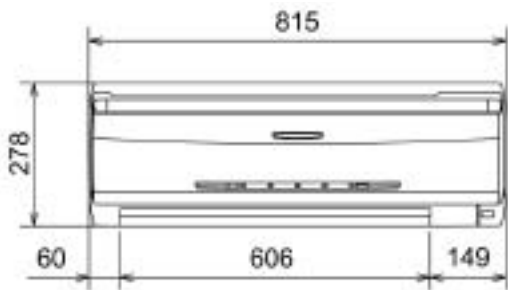
Upper View > Size 7 and 9



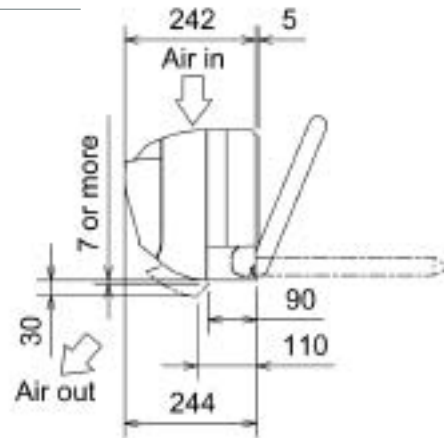
Upper View > Size 12



Front View >

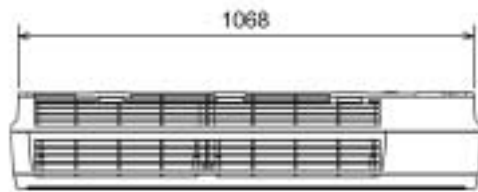


Side View >

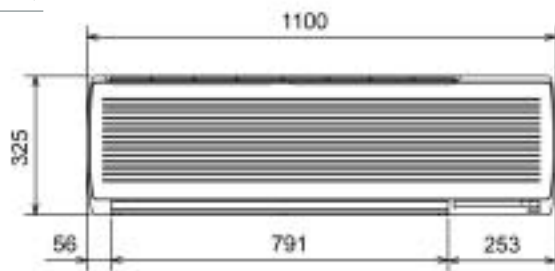


**INDOOR UNIT** MS-A18WV, MS-A24WV and MS-A30WV

Upper View >



Front View >



Side View >

