

Air Conditioning

Product Information

MFZ-KA25VA : Inverter Heat Pump

R410A Floor Mounted System



This series is extremely versatile and is designed for wall attached installation at floor level. The auto swing vane provides a more natural and comfortable airflow throughout the room and the lightweight, compact design makes installation easy.

FEATURES



INDOOR

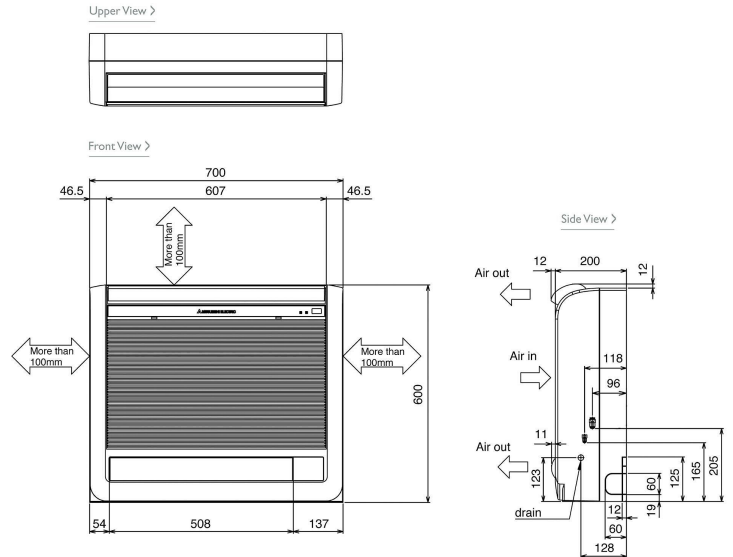
Heating Capacity (kW) (nominal)	3.4 (0.9 - 5.1)
Cooling Capacity (kW) (nominal)	2.5 (0.9 - 3.4)
Heating Capacity (kW) (UK)	2.85 (0.75 - 4.25)
Cooling Capacity (kW) (UK)	2.5 (0.9 - 3.35)
SHF (nominal and UK)	0.66
COP / EER (nominal)	4.07 / 4.31
SCOP / SEER	- / -
Energy Label (nominal)	A / A
Airflow (m ³ /min) (Heating) - Lo-Mi-Hi-SupHi	5 - 6.2 - 7.6 - 9.4
Airflow (m ³ /min) (Cooling) - Lo-Mi-Hi-SupHi	4.8 - 5.8 - 7.1 - 8.9
Pipe Size Gas (mm [in])	9.52 (3/8")
Pipe Size Liquid (mm [in])	6.35 (1/4")
Sound Pressure Level (dBA) Heating - Lo-Mi-Hi-SupHi	22 - 27 - 32 - 37
Sound Pressure Level (dBA) Cooling - Lo-Mi-Hi-SupHi	22 - 27 - 32 - 37
Sound Power Level (dBA) Cooling	-
Dimensions (mm) Width x Depth x Height	700 x 200 x 600
Weight (kg)	14
Electrical Supply	FED BY OUTDOOR UNIT
Phase	SINGLE
Fuse Rating (BS88) - HRC (A)	6
Interconnecting Cable No. Cores	4

OUTDOOR

Sound Pressure Level (dBA) Heating / Cooling	46 / 46
Sound Power Level (dBA) Cooling	-
Weight (kg)	33
Dimensions (mm) Width x Depth x Height	800 x 285 x 550
Electrical Supply	220-240V, 50HZ
Phase	SINGLE
System Power Input (kW) - Heating / Cooling (nominal)	0.835 / 0.58
System Power Input (kW) - Heating / Cooling (UK)	0.76 / 0.46
Starting Current (A)	3.65
System Running Current (A) [MAX] - Heating / Cooling	3.85 / 3.25 [8.4]
Fuse Rating (BS88) - HRC (A)	10
Mains Cable No. Cores	3
Max Pipe Length (m)	20
Max Height Difference (m)	12
Charge R410A (kg) - (pre charged length)	0.8 (7)

DIMENSIONS

MFZ-KA25VA



DIMENSIONS

SUZ-KA25VA3

