



MFZ-KA50VA

Inverter Heat Pump

R410A Floor Mounted System

This series is extremely versatile and is designed for wall attached installation at floor level. The auto swing vane provides a more natural and comfortable airflow throughout the room and the lightweight, compact design makes installation Easy.



Pictures not to scale

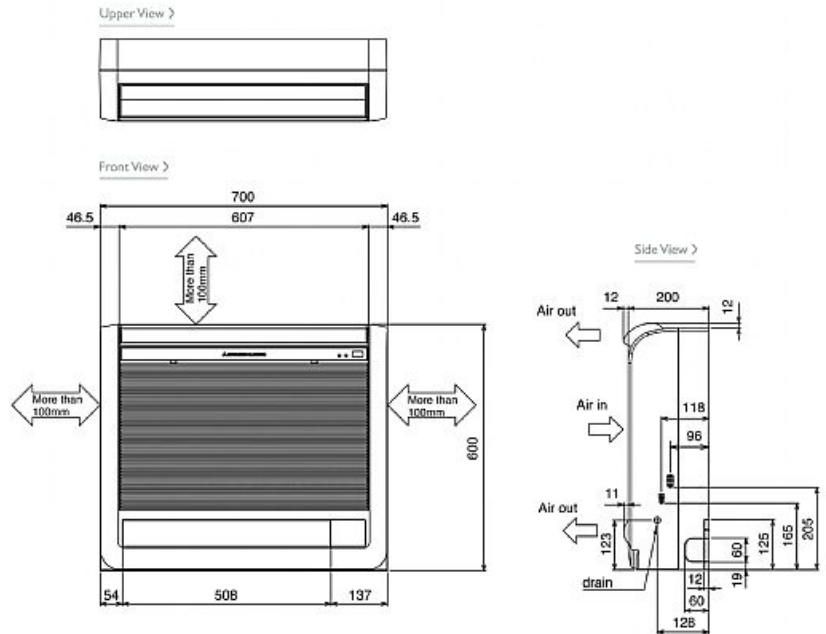
Product Details

MFZ-KA50VA Indoor Unit	
Capacity (kW):	
Heating (Nominal) (Low - High)	6.00 (0.90 - 7.90)
Cooling (Nominal) (Low - High)	4.80 (0.90 - 5.40)
Heating (UK) (Low - High)	5.00 (0.75 - 6.55)
Cooling (UK) (Low - High)	4.75 (0.90 - 5.35)
SHF R410A (Nominal)	0.63
COP / EER (Nominal)	3.23 / 3.1
Energy Label Heating / Cooling	C / B
Width - mm	700
Depth - mm	200
Height - mm	600
Weight - kg	14
Airflow (m3/min) (Heating /Cooling) - Lo-Mi1-Mi2-Hi	7.4-8.8-9.8-12.3 / 7.1-7.9-9.2-11.2
Noise (dBA) (Heating /Cooling) - Lo-Mi1-Mi2-Hi	32-35-39-44 / 32-35-39-43
Pipe Size Gas mm (in)	12.7 (1/2)
Pipe Size Liquid mm (in)	6.35 (1/4)
Electrical Supply	Fed by Outdoor Unit
Phase	Single
Fuse Rating (BS88) - HRC (A)	6
Interconnecting Cable No. Cores	4

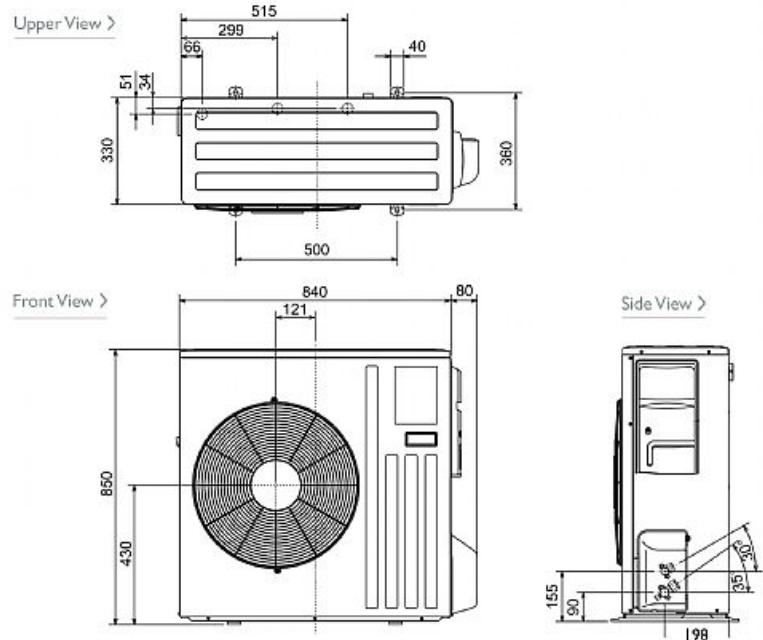
SUZ-KA50VA2 Outdoor Unit	
Width - mm	840
Depth - mm	330
Height - mm	850
Weight - kg	53
Noise (dBA) (Heating /Cooling)	55 / 53
Electrical Supply	220-240v, 50Hz
Phase	Single
Fuse Rating (BS88) - HRC (A)	20
SystemPower Input (kW) - Heating (Nominal)	1.86
SystemPower Input (kW) - Cooling (Nominal)	1.55
SystemPower Input (kW) - Heating (UK)	1.69
SystemPower Input (kW) - Cooling (UK)	1.24
Starting Current (A)	6.75
SystemRunning Current (A) - Heating / Cooling	6.55 / 6.95
Mains Cable No. Cores	3
Max Pipe Length (m)	30
Max Height Difference (m)	30
Charge (kg) - 7m	1.6

Dimensions

MFZ-KA50VA



SUZ-KA50VA2



Telephone: 01707 282880

Email: air.conditioning@meuk.mee.com Website: <http://www.mitsubishielectric.co.uk/aircon>

Tel:
Fax:



Mitsubishi Electric reserves the right to make any variation in technical specification to the equipment described, or to withdraw or replace products without prior notification or public announcement.