



MFZ-KA35VA

Inverter Heat Pump

R410A Floor Mounted System

This series is extremely versatile and is designed for wall attached installation at floor level. The auto swing vane provides a more natural and comfortable airflow throughout the room and the lightweight, compact design makes installation Easy.



Pictures not to scale

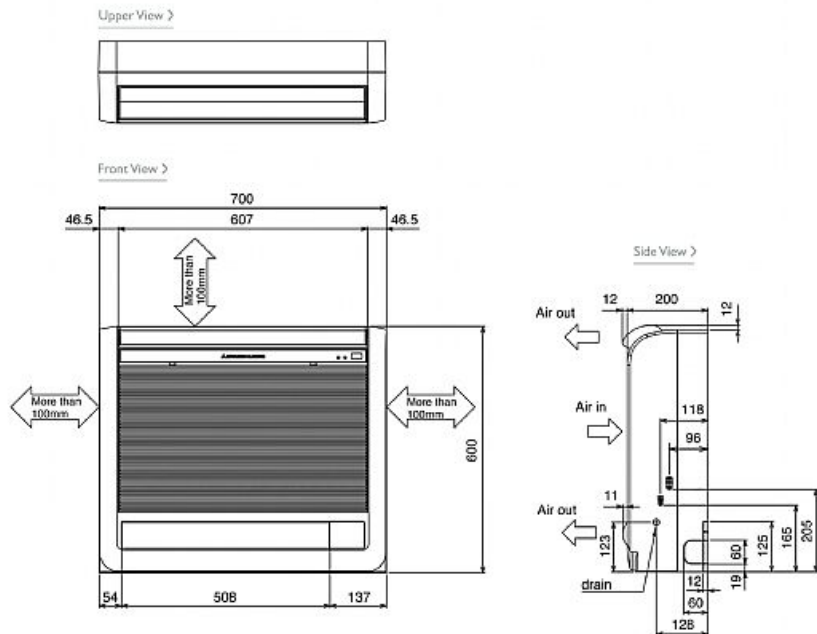
Product Details

MFZ-KA35VA Indoor Unit	
Capacity (kW):	
Heating (Nominal) (Low - High)	4.00 (0.90 - 6.20)
Cooling (Nominal) (Low - High)	3.50 (0.90 - 3.90)
Heating (UK) (Low - High)	3.30 (0.75 - 5.15)
Cooling (UK) (Low - High)	3.45 (0.90 - 3.85)
SHF R410A (Nominal)	0.65
COP / EER (Nominal)	3.64 / 3.21
Energy Label Heating / Cooling	A / A
Width - mm	700
Depth - mm	200
Height - mm	600
Weight - kg	14
Airflow (m ³ /min) (Heating /Cooling) - Lo-Mi1-Mi2-Hi	5.2-6.2-7.8-9.5 / 6.1-7.4-9.1
Noise (dBA) (Heating /Cooling) - Lo-Mi1-Mi2-Hi	25-28-33-38 / 23-28-33-38
Pipe Size Gas mm (in)	9.52 (3/8)
Pipe Size Liquid mm (in)	6.35 (1/4)
Electrical Supply	Fed by Outdoor Unit
Phase	Single
Fuse Rating (BS88) - HRC (A)	6
Interconnecting Cable No. Cores	4

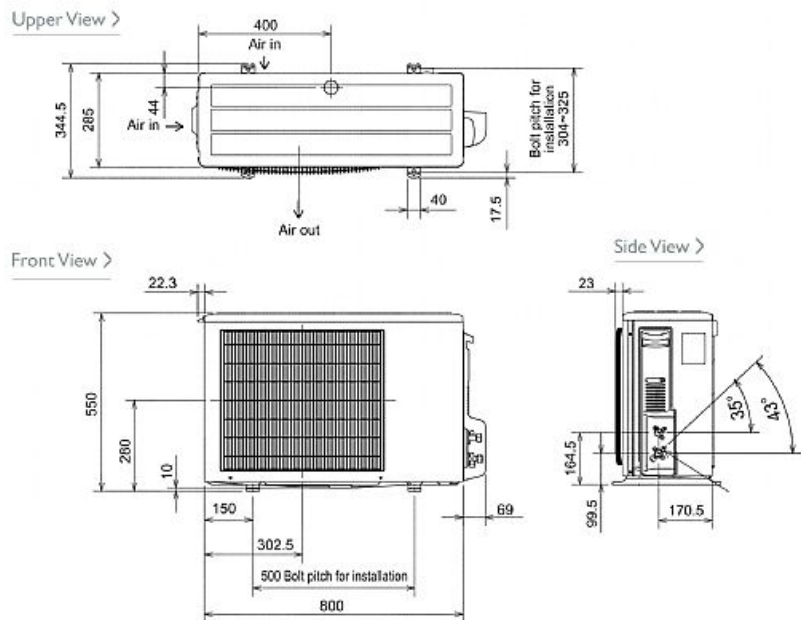
SUZ-KA35VA2 Outdoor Unit	
Width - mm	800
Depth - mm	285
Height - mm	550
Weight - kg	37
Noise (dBA) (Heating /Cooling)	48 / 47
Electrical Supply	220-240v, 50Hz
Phase	Single
Fuse Rating (BS88) - HRC (A)	16
SystemPower Input (kW) - Heating (Nominal)	1.1
SystemPower Input (kW) - Cooling (Nominal)	1.09
SystemPower Input (kW) - Heating (UK)	1
SystemPower Input (kW) - Cooling (UK)	0.87
Starting Current (A)	4.75
SystemRunning Current (A) - Heating / Cooling	4.95 / 4.75
Mains Cable No. Cores	3
Max Pipe Length (m)	20
Max Height Difference (m)	12
Charge (kg) - 7m	1.05

Dimensions

MFZ-KA35VA



SUZ-KA35VA2



Telephone: 01707 282880

Email: air.conditioning@meuk.mee.com Website: <http://www.mitsubishielectric.co.uk/aircon>

Tel:
Fax:



Mitsubishi Electric reserves the right to make any variation in technical specification to the equipment described, or to withdraw or replace products without prior notification or public announcement.