



MFZ-KA25VA

Inverter Heat Pump

R410A Floor Mounted Unit

This series is extremely versatile and is designed for wall attached installation at floor level. The auto swing vane provides a more natural and comfortable airflow throughout the room and the lightweight, compact design makes installation Easy.



Pictures not to scale

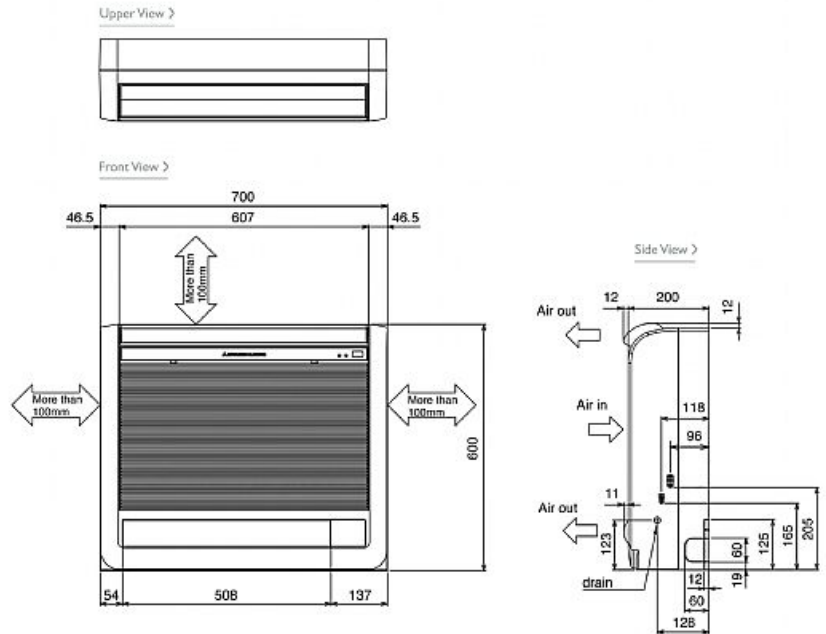
Product Details

MFZ-KA25VA Indoor Unit	
Capacity (kW):	
Heating (Nominal) (Low - High)	3.40 (0.90 - 5.10)
Cooling (Nominal) (Low - High)	2.50 (0.90 - 3.40)
Heating (UK) (Low - High)	2.85 (0.75 - 4.25)
Cooling (UK) (Low - High)	2.50 (0.90 - 3.35)
SHF R410A (Nominal)	0.66
COP / EER (Nominal)	4.07 / 4.31
Energy Label Heating / Cooling	A / A
Width - mm	700
Depth - mm	200
Height - mm	600
Weight - kg	14
Airflow (m ³ /min) (Heating /Cooling) - Lo-Mi-Hi-SupHi	5-6.2-7.6-9.1 / 4.8-5.8-7.1-8.7
Noise (dBA) (Heating /Cooling) - Lo-Mi-Hi-SupHi	22-27-32-37 / 22-27-32-37
Pipe Size Gas mm (in)	9.52 (3/8)
Pipe Size Liquid mm (in)	6.35 (1/4)
Electrical Supply	Fed by Outdoor Unit
Phase	Single
Fuse Rating (BS88) - HRC (A)	6
Interconnecting Cable No. Cores	4

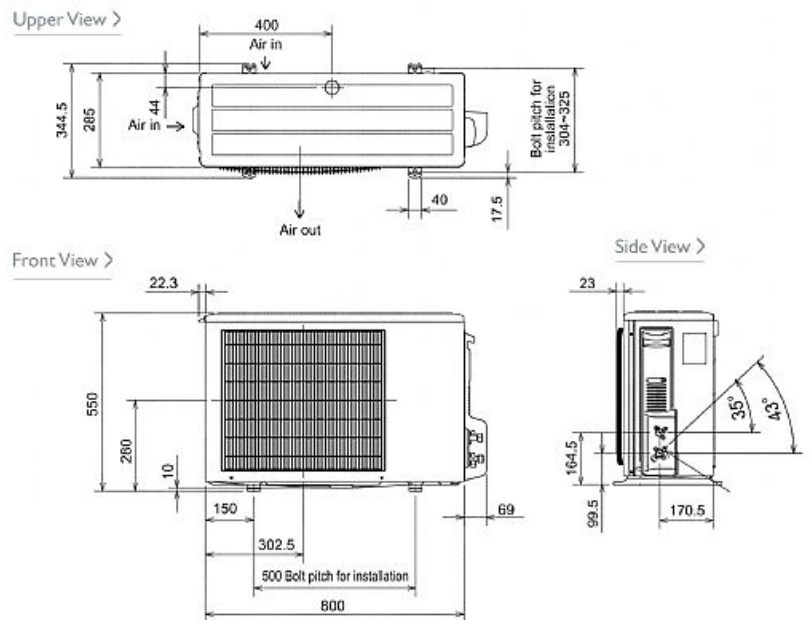
SUZ-KA25VA Outdoor Unit	
Width - mm	800
Depth - mm	285
Height - mm	550
Weight - kg	33
Noise (dBA) (Heating /Cooling)	46 / 46
Electrical Supply	220-240v, 50Hz
Phase	Single
Fuse Rating (BS88) - HRC (A)	16
SystemPower Input (kW) - Heating (Nominal)	0.835
SystemPower Input (kW) - Cooling (Nominal)	0.58
SystemPower Input (kW) - Heating (UK)	0.76
SystemPower Input (kW) - Cooling (UK)	0.46
Starting Current (A)	3.8
SystemRunning Current (A) - Heating / Cooling	4 / 2.8
Mains Cable No. Cores	3
Max Pipe Length (m)	20
Max Height Difference (m)	12
Charge (kg) - 7m	0.9

Dimensions

MFZ-KA25VA



SUZ-KA25VA



Telephone: 01707 282880

Email: air.conditioning@meuk.mee.com Website: <http://www.mitsubishielectric.co.uk/aircon>

Tel:
Fax:

Mitsubishi Electric reserves the right to make any variation in technical specification to the equipment described, or to withdraw or replace products without prior notification or public announcement.

