

' 99

MITSUBISHI ELECTRIC  
**LOSSNAY**  
PARTS CATALOG  

---

**(EUROPE OTHERS)**

DENMARK, FINLAND, FRANCE,  
GERMAN, GREECE, ITALY,  
NORWAY, PORTUGAL, SPAIN,  
SWEDEN, UNITED KINGDOM

Model

VL-100U-E

99TYPE

Notice,

The unit prices are made at 1999-December issued date of this catalog.

The term of validity is for a year,(up to 2000-November).

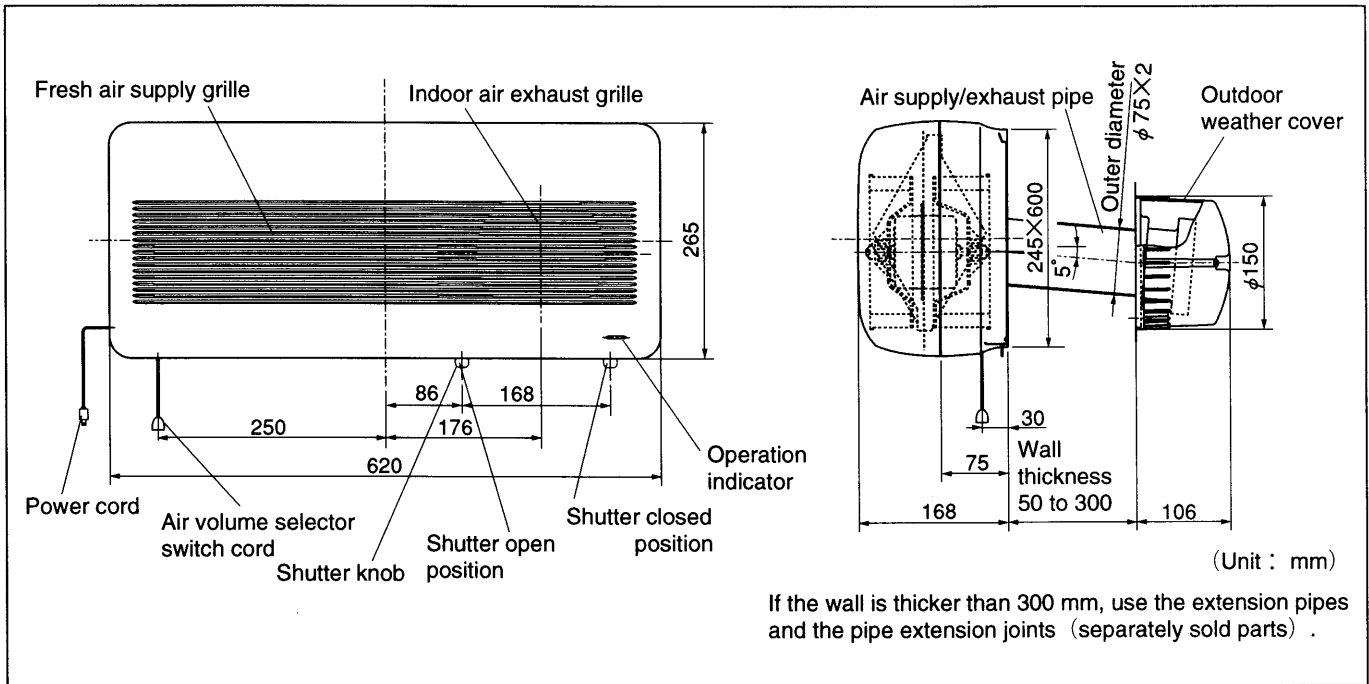
MITSUBISHI ELECTRIC CORPORATION

# Specifications

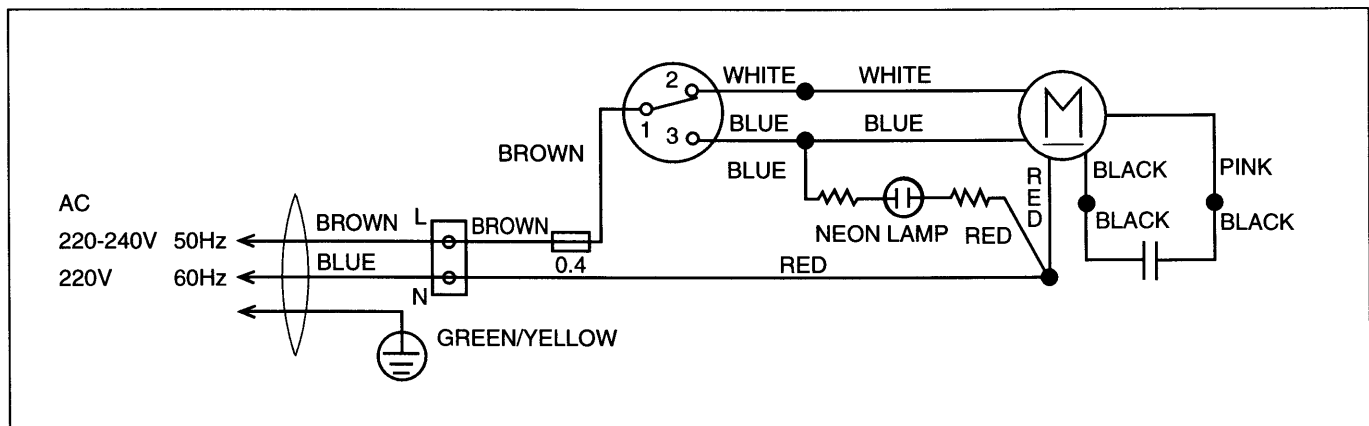
Model	Notch	Supply voltage (V)	Power line frequency (Hz)	Power consumption (W)	Air volume (m <sup>3</sup> /h)	Temperature exchange efficiency (%)	Noise (dB)	Weight (kg)
VL-100U-E	Hi	220-240	50	26	105	70	39	6.5
	Lo			23	65	77	29.5	
	Hi	220	60	26	90	73	37	
	Lo			21	50	80	26	

• Air volume and Noise are measured under JIS (Japanese Industrial Standard) C 9603.

# Outline drawings

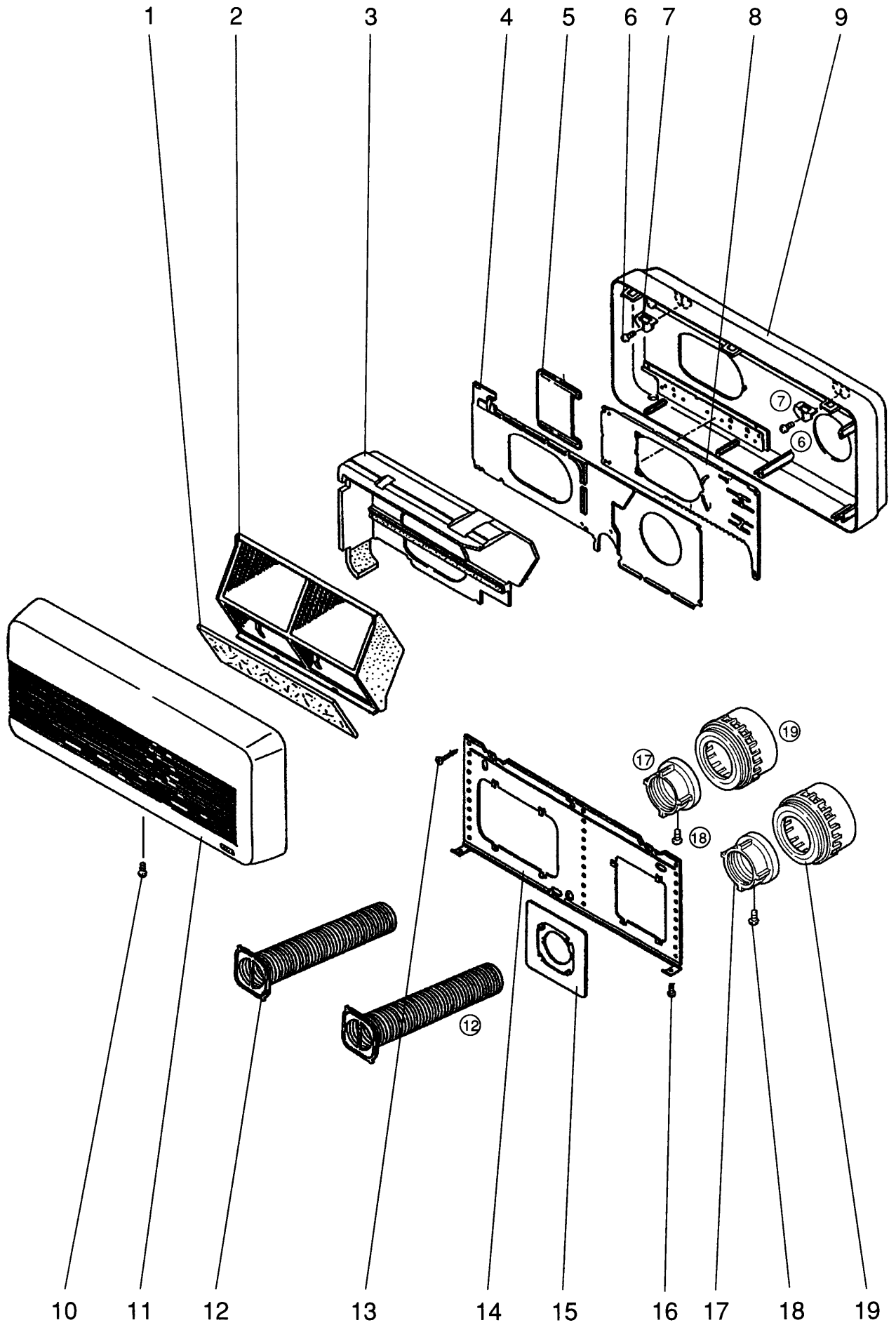


# Wiring connection



Model VL-100U-E

NO.	Parts NO.	Name of part	Q'ty pcs/unit	Remarks	Price
1.	M36 067 717	Air filter	1		
2.	M36 067 715	Heat exchanger	1		
3.	M36 067 721	Chanber	1		
4.	M36 100 710	Shutter cover	1		
5.	M36 067 642	Shutter(a)	1		
6.	H00 000 487	P T T screw 4×8	6		
7.	M34 709 345	Mounting piece	2		
8.	M36 067 641	Shutter(b)	1		
9.	M36 109 707	Body	1		
10.	H00 000 068	P T screw 4×25	1		
11.	Y31 108 719	Grille	1		
12.	M36 028 731	Wall sleeve	2		
13.	M34 863 045	Special screw	10	3.5×32	
14.	M36 100 709	Fix plate	1		
15.	M36 068 708	Pipe fix plate	2		
16.	M45 502 095	P T T screw 4×8	2	BLACK	
17.	M34 231 303	Nut-75	2	75mm	
18.	D41 037 008	P T T screw 4×12	4	SUS	
19.	Y31 061 721	Weather cover	2		



Model VL-100U-E

NO.	Parts NO.	Name of part	Q'ty pcs/unit	Remarks	Price
21.	H00 000 488	P T T screw 4×12	9		
22.	M36 067 714	Terminal cover(a)	1		
23.	H00 000 471	P P T screw 4×10	1		
24.	M31 779 300	Switch	1		
25.	Y31 108 220	Cord	1	1300mm	
26.	M34 279 201	Pat plate	1		
27.	H00 000 676	P P T screw 3×10	2		
28.	Y31 068 223	Cord clip	1		
29.	Y31 108 355	Pat plate	1		
30.	Y31 108 280	Fuse	1	250V·0.4A	
31.	D40 094 227	Cord clip	2		
32.	H00 011 008	P T screw 4×8	3		
33.	H00 056 075	Spring washer 4	3		
34.	M36 067 716	Terminal fix plate	1		
35.	M36 067 712	Terminal box(a)	1		
36.	M36 067 711	Terminal box(b)	1		
37.	M36 067 713	Terminal cover(b)	1		
38.	Y31 069 244	Terminal	1		
39.	H00 000 487	P T T screw 4×8	8		
40.	Y31 082 283	Cspacitor	1	1.0μF	
41.	M36 067 067	Special nat	1		
42.	M36 067 480	Cent fan(ea)	1		
43.	M36 017 017	Special screw	3		
44.	M36 067 707	Fan casing(ea)	1		
45.	M32 017 106	Special washer	2		
46.	H00 000 332	P T T screw 4×10	4		
47.	Y31 108 451	Motor	1		
48.	Y31 108 290	Neon lamp	1		
49.	Y31 108 707	Motor fix plate	1		
50.	M36 067 481	Cent fan(sa)	1		
51.	X31 000 067	Flange nut 8	1		
52.	M36 067 725	Fan casing(sa)	1		

21 22 23 24 25 26 27 28 29 30 31 32 33 34

