



Lossnay Mechanical Ventilation Heat Recovery (MVHR) systems, are designed to supply fresh air into any commercial building whilst simultaneously extracting stale air and, most importantly, recovering valuable heat energy for maximum efficiency

Key Features

- Clean fresh air
- Improved air quality and comfort
- Increased climate control
- Reduced energy bills
- Energy efficient heat recovery
- Significantly reduced power consumption and SFP's
- Free cooling function
- Total heat exchange (sensible and latent)

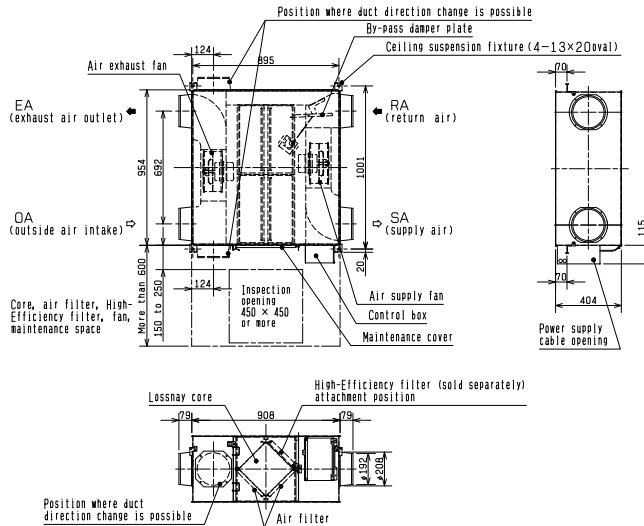


Air Conditioning | Heating
Ventilation | Controls



COMMERCIAL MODELS		LGH-65RVX-E	
ELECTRICAL POWER SUPPLY		220-240V, 50Hz	
RUNNING CURRENT (A)	SP1	0.15	
	SP2	0.39	
	SP3	0.90	
	SP4	1.65	
INPUT POWER (W)	SP1	15	
	SP2	49	
	SP3	131	
	SP4	252	
AIRFLOW (m ³ /h) ²	SP1	163	
	SP2	325	
	SP3	488	
	SP4	650	
AIRFLOW (l/s) ²	SP1	45	
	SP2	90	
	SP3	135	
	SP4	181	
SPECIFIC FAN POWER (W/(l/s))	SP1	0.33	
	SP2	0.54	
	SP3	0.97	
	SP4	1.39	
EXTERNAL STATIC PRESSURE (Pa)	SP1	8	
	SP2	30	
	SP3	68	
	SP4	120	
SOUND PRESSURE LEVEL (dBA)	SP1	18	
	SP2	22	
	SP3	29	
	SP4	34.5	
TEMPERATURE EXCHANGE EFFICIENCY (%)	SP1	86	
	SP2	84	
	SP3	81	
	SP4	77	
ENTHALPY EXCHANGE EFFICIENCY (%)	Heating	SP1	82
		SP2	76
		SP3	71
		SP4	68.5
	Cooling	SP1	81
		SP2	74
		SP3	69.5
		SP4	66
WEIGHT (kg)		38	
DIMENSIONS (mm) Width x Depth x Height		908 x 954 x 404	
DUCT SIZE (mm)		200	
STANDARD FILTER ¹		EU-G3	
FUSE RATING (BS88) – HRC (A)		6	

DIMENSIONS



REMOTE CONTROLLER

PZ-61DR-E



- Control up to 15 Lossnay units
- Full-dot backlit LCD screen
- Weekly timer (ability to pre-set air volume requirements at different intervals)
- Night purge function



Notes: Running Current, Input Power and Recovery Efficiency are based on the above airflow rate, power supply 240v, 50Hz. Sound Pressure Level measured at 1.5m under the centre of panel. *1: EU-F7 filter available as optional parts. *2: Airflow tested to Japan industrial standard JIS B 8628. SP1, SP2, SP3 & SP4 relate to the fan speeds of the Lossnay RVX units i.e. fanspeed 1, 2, 3 & 4.

Lossnay Housings are also available, please contact Mitsubishi Electric for further information.