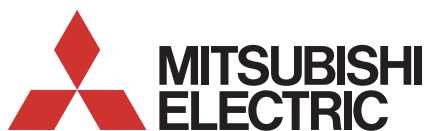




Lossnay Mechanical Ventilation Heat Recovery (MVHR) systems, are designed to supply fresh air into any commercial building whilst simultaneously extracting stale air and, most importantly, recovering valuable heat energy for maximum efficiency

Key Features

- Clean fresh air
- Improved air quality and comfort
- Increased climate control
- Reduced energy bills
- Energy efficient heat recovery
- Significantly reduced power consumption and SFP's
- Free cooling function
- Total heat exchange (sensible and latent)

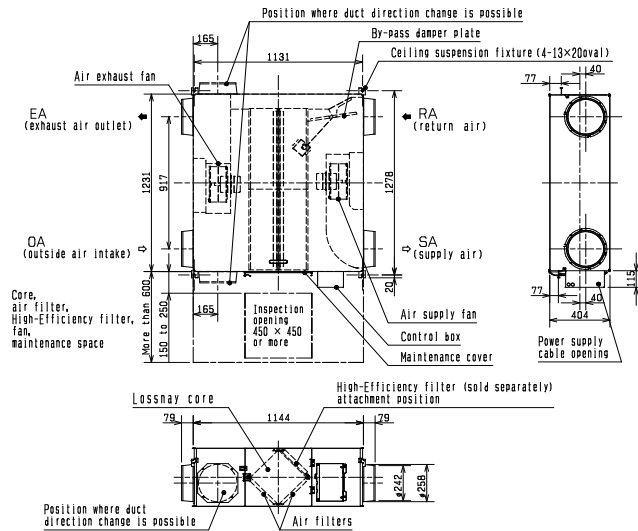


Air Conditioning | Heating
Ventilation | Controls



COMMERCIAL MODELS		LGH-100RVX-E
ELECTRICAL POWER SUPPLY		220-240V, 50Hz
RUNNING CURRENT (A)		
	SP1	0.17
	SP2	0.50
	SP3	1.20
	SP4	2.50
INPUT POWER (W)		
	SP1	21
	SP2	75
	SP3	200
	SP4	420
AIRFLOW (m ³ /h) ²		
	SP1	250
	SP2	500
	SP3	750
	SP4	1000
AIRFLOW (l/s) ²		
	SP1	69
	SP2	139
	SP3	208
	SP4	278
SPECIFIC FAN POWER (W/(l/s))		
	SP1	0.30
	SP2	0.54
	SP3	0.96
	SP4	1.51
EXTERNAL STATIC PRESSURE (Pa)		
	SP1	11
	SP2	43
	SP3	96
	SP4	170
SOUND PRESSURE LEVEL (dBA)		
	SP1	18
	SP2	23
	SP3	31
	SP4	37
TEMPERATURE EXCHANGE EFFICIENCY (%)		
	SP1	89.5
	SP2	86.5
	SP3	83
	SP4	80
ENTHALPY EXCHANGE EFFICIENCY (%)		
Heating	SP1	87
	SP2	78
Cooling	SP3	74
	SP4	72.5
	SP1	85.5
	SP2	77
	SP3	73
	SP4	71
WEIGHT (kg)		54
DIMENSIONS (mm) Width x Depth x Height		1144 x 1231 x 404
DUCT SIZE (mm)		250
STANDARD FILTER ¹		EU-G3
FUSE RATING (BS88) – HRC (A)		6

DIMENSIONS



REMOTE CONTROLLER

PZ-61DR-E



- Control up to 15 Lossnay units
- Full-dot backlit LCD screen
- Weekly timer (ability to pre-set air volume requirements at different intervals)
- Night purge function



Notes: Running Current, Input Power and Recovery Efficiency are based on the above airflow rate, power supply 240v, 50Hz. Sound Pressure Level measured at 1.5m under the centre of panel. *1: EU-F7 filter available as optional parts. *2: Airflow tested to Japan industrial standard JIS B 8628. SP1, SP2, SP3 & SP4 relate to the fan speeds of the Lossnay RVX units i.e. fanspeed 1, 2, 3 & 4.

Lossnay Housings are also available, please contact Mitsubishi Electric for further information.



Telephone: 01707 282880

email: ventilation@meuk.mee.com web: www.airconditioning.mitsubishielectric.co.uk

UNITED KINGDOM Mitsubishi Electric Europe Living Environmental Systems Division
Travellers Lane, Hatfield, Hertfordshire, AL10 8XB, England General Enquiries Telephone: 01707 282880 Fax: 01707 278881

IRELAND Mitsubishi Electric Europe Westgate Business Park, Ballymount, Dublin 24, Ireland
Telephone: Dublin (01) 419 8800 Fax: Dublin (01) 419 8890 International code: (003531)

Country of origin: United Kingdom – Japan – Thailand – Malaysia. ©Mitsubishi Electric Europe 2015. Mitsubishi and Mitsubishi Electric are trademarks of Mitsubishi Electric Europe B.V. The company reserves the right to make any variation in technical specification to the equipment described, or to withdraw or replace products without prior notification or public announcement. Mitsubishi Electric is constantly developing and improving its products. All descriptions, illustrations, drawings and specifications in this publication present only general particulars and shall not form part of any contract. All goods are supplied subject to the Company's General Conditions of Sale, a copy of which is available on request. Third-party product and brand names may be trademarks or registered trademarks of their respective owners.



Effective as of January 2015



www.greengateway.mitsubishielectric.co.uk

Mitsubishi Electric UK's commitment to the environment

Follow us @meuk_Jes
Follow us @green_gateway

Mitsubishi Electric
Living Environmental Systems UK

YouTube
mitsubishielectric2