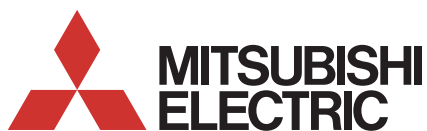




Lossnay Mechanical Ventilation Heat Recovery (MVHR) systems, are designed to supply fresh air into any commercial building whilst simultaneously extracting stale air and, most importantly, recovering valuable heat energy for maximum efficiency

Key Features

- Clean fresh air
- Improved air quality and comfort
- Increased climate control
- Reduced energy bills
- Energy efficient heat recovery
- Low power consumption and SFP's
- Free cooling function
- Total heat exchange (sensible and latent)
- Significantly reduced height

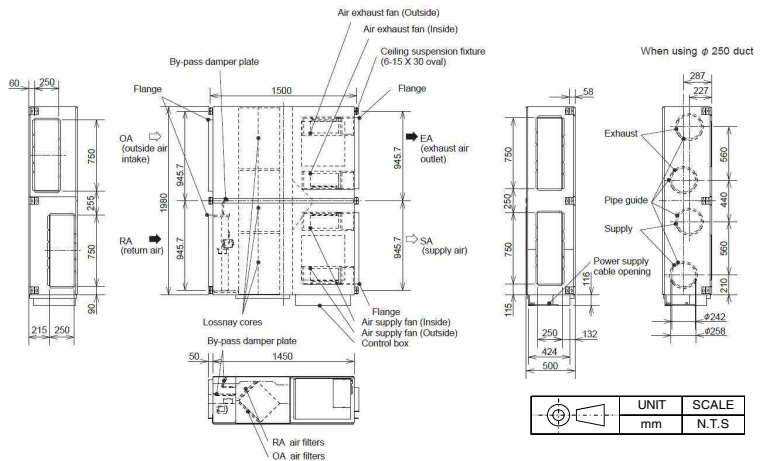


Air Conditioning | Heating
Ventilation | Controls



COMMERCIAL MODELS		LGH-250RVXT-E
ELECTRICAL POWER SUPPLY		220-240V, 50Hz
RUNNING CURRENT (A)		SP1 0.57 SP2 1.40 SP3 3.60 SP4 7.60
INPUT POWER (W)		SP1 82 SP2 244 SP3 687 SP4 1446
AIRFLOW (m ³ /h) ²		SP1 625 SP2 1250 SP3 1875 SP4 2500
AIRFLOW (l/s) ²		SP1 174 SP2 347 SP3 521 SP4 694
SPECIFIC FAN POWER (W/(l/s))		SP1 0.47 SP2 0.70 SP3 1.32 SP4 2.08
EXTERNAL STATIC PRESSURE (Pa)		SP1 11 SP2 44 SP3 98 SP4 175
SOUND PRESSURE LEVEL (dBA)		SP1 24 SP2 32 SP3 39 SP4 43
TEMPERATURE EXCHANGE EFFICIENCY (%)		SP1 82.5 SP2 80.5 SP3 79 SP4 77
ENTHALPY EXCHANGE EFFICIENCY (%)	Heating	SP1 79 SP2 74 SP3 71.5 SP4 68
	Cooling	SP1 76.5 SP2 71.5 SP3 69 SP4 65.5
WEIGHT (kg)		198
DIMENSIONS (mm) Width x Depth x Height		1980 x 1500 x 500
DUCT SIZE (mm)		250 x 750
STANDARD FILTER ¹		EU-G3
FUSE RATING (BS88) – HRC (A)		10

DIMENSIONS



REMOTE CONTROLLER

PZ-61DR-E



- Control up to 15 Lossnay units
- Full-dot backlit LCD screen
- Weekly timer (ability to pre-set air volume requirements at different intervals)
- Night purge function



Notes: Running Current, Input Power and Recovery Efficiency are based on the above airflow rate, power supply 240v, 50Hz. Sound Pressure Level measured at 1.5m under the centre of panel. *1: EU-F7 filter available as optional parts. *2: Airflow tested to Japan industrial standard JIS B 8628. SP1, SP2, SP3 & SP4 relate to the fan speeds of the Lossnay RVXT units i.e. fanspeed 1, 2, 3 & 4.

Lossnay Housings will be available, please contact Mitsubishi Electric for further information.



Telephone: 01707 282880

email: ventilation@meuk.mee.com web: www.airconditioning.mitsubishielectric.co.uk

UNITED KINGDOM Mitsubishi Electric Europe Living Environmental Systems Division
Travellers Lane, Hatfield, Hertfordshire, AL10 8XB, England General Enquiries Telephone: 01707 282880 Fax: 01707 278881

IRELAND Mitsubishi Electric Europe Westgate Business Park, Ballymount, Dublin 24, Ireland
Telephone: Dublin (01) 419 8800 Fax: Dublin (01) 419 8890 International code: (003531)

Country of origin: United Kingdom – Japan – Thailand – Malaysia. ©Mitsubishi Electric Europe 2015. Mitsubishi and Mitsubishi Electric are trademarks of Mitsubishi Electric Europe B.V. The company reserves the right to make any variation in technical specification to the equipment described, or to withdraw or replace products without prior notification or public announcement. Mitsubishi Electric is constantly developing and improving its products. All descriptions, illustrations, drawings and specifications in this publication present only general particulars and shall not form part of any contract. All goods are supplied subject to the Company's General Conditions of Sale, a copy of which is available on request. Third-party product and brand names may be trademarks or registered trademarks of their respective owners.



Effective as of November 2015



www.greengateway.mitsubishielectric.co.uk

Mitsubishi Electric UK's commitment to the environment

Follow us @meuk_Jes
Follow us @green_gateway

Mitsubishi Electric
Living Environmental Systems UK

YouTube
mitsubishielectric2