

# Air Conditioning

## Product Information

**PQRY-P350YLM-A**  
Heat Pump Water Cooled  
Condensing Unit (H-VRF)

Making a  
World of  
Difference

CITY MULTI



The WR2 system has double heat recovery potential, making this system very economical. Not only does it produce heat recovery from indoor units on the same refrigerant circuit, it also produces heat recovery via the water circuit between heat source units. The water cooled units benefit from a modular design approach.

### Key Features

- High efficiency thanks to careful control of the system
- Large operational water circuit temperature band
- All the benefits of the R2 Series with water cooled condensing units, using inverter control
- Unique 2-pipe system allows simultaneous heating and cooling plus heat recovery between up to 35 indoor units as with the R2 system
- Total building heat recovery made possible by exchanging energy in both refrigerant, water circuits and waste heat
- Pipe run of 165m with a total system pipe length of up to 750m
- High Sensible Cooling Function
- Able to operate with closed loop and open loop ground source water temperatures, bore hole and slinky applications are possible
- Easy maintenance - front panel access to all PCB's
- Condensing units must be situated indoors
- Utilised with the HBC (City Multi, HVRF, O.U.)



Air Conditioning | Heating  
Ventilation | Controls

# Air Conditioning

## Product Information

### PQRY-P350YLM-A Heat Pump Water Cooled Condensing Unit (H-VRF)

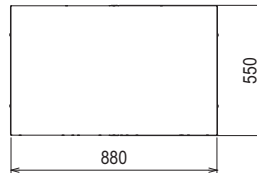
Making a  
World of  
Difference

PQRY - CONDENSING UNIT		PQRY-P350YLM-A
CAPACITY (kW)	Heating (nominal)	45.0
	Cooling (nominal)	40.0
POWER INPUT (kW)	Heating (nominal)	8.87
	Cooling (nominal)	9.98
OPERATING WATER VOLUME (m <sup>3</sup> /h)		4.5 ~ 11.6
GUARANTEED OPERATING RANGE (°C) Heating / Cooling		-5~45 / -5~45
COP / EER (nominal)		5.07 / 4.00
SCOP / SEER		4.74 / 4.06
MAX NO. OF CONNECTABLE INDOOR UNITS		35
MAX CONNECTABLE CAPACITY		50 ~ 150%
PIPE SIZE mm (in)	Gas	28.58 (1 1/8")
	Liquid	22.2 (7/8")
SOUND PRESSURE LEVEL (dBA)		52
SOUND POWER LEVEL (dBA)		66
WEIGHT (kg)		216
DIMENSIONS (mm)	Width	880
	Depth	550
	Height	1450
ELECTRICAL SUPPLY*		380-415v, 50Hz
PHASE*		Three
STARTING CURRENT (A)		8
NOMINAL SYSTEM RUNNING CURRENT (A)* Heating / Cooling [MAX]		11.6 / 11.0 [23.1]
FUSE RATING (BS88) - HRC (A)*		1 x 25A
MAINS CABLE No. Cores*		4 + earth

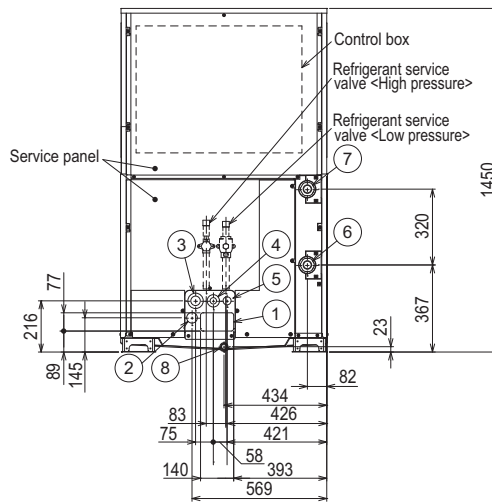
Notes:  
 \* A separate power supply is required for each module.  
 Condensing unit must be installed inside a building.  
 Non-stock item - 16-20 weeks lead time  
 \*\*28.58mm(1 1/8") if furthest length ≥ 65m

## DIMENSIONS

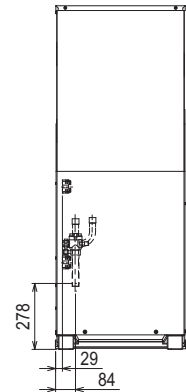
Top View



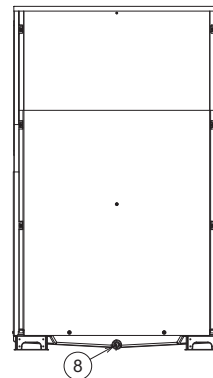
Front View



Side View



Back View



Telephone: 01707 282880

email: [air.conditioning@meuk.mee.com](mailto:air.conditioning@meuk.mee.com) web: [www.airconditioning.mitsubishielectric.co.uk](http://www.airconditioning.mitsubishielectric.co.uk)

UNITED KINGDOM Mitsubishi Electric Europe Living Environmental Systems Division  
 Travellers Lane, Hatfield, Hertfordshire, AL10 8XB, England General Enquiries Telephone: 01707 282880 Fax: 01707 278881

IRELAND Mitsubishi Electric Europe Westgate Business Park, Ballymount, Dublin 24, Ireland  
 Telephone: Dublin (01) 419 8800 Fax: Dublin (01) 419 8890 International code: (003531)

Country of origin: United Kingdom - Japan - Thailand - Malaysia. ©Mitsubishi Electric Europe 2016. Mitsubishi and Mitsubishi Electric are trademarks of Mitsubishi Electric Europe B.V. The company reserves the right to make any variation in technical specification to the equipment described, or to withdraw or replace products without prior notification or public announcement. Mitsubishi Electric is constantly developing and improving its products. All descriptions, illustrations, drawings and specifications in this publication present only general particulars and shall not form part of any contract. All goods are supplied subject to the Company's General Conditions of Sale, a copy of which is available on request. Third-party product and brand names may be trademarks or registered trademarks of their respective owners.



Note: The fuse rating is for guidance only. Please refer to the relevant databook for detailed specification. It is the responsibility of a qualified electrician/electrical engineer to select the correct cable size and fuse rating based on current regulation and site specific conditions. Mitsubishi Electric's air conditioning and heat pump systems contain fluorinated greenhouse gases R410A, R407C and R134a.



[www.greengateway.mitsubishielectric.co.uk](http://www.greengateway.mitsubishielectric.co.uk)

Mitsubishi Electric UK's commitment  
to the environment

Follow us @meuk\_Jes  
Follow us @green\_gateway

Mitsubishi Electric  
Living Environmental Systems UK

mitsubishielectric2

Effective as of September 2016