

PARTS CATALOG

Series PLFY Ceiling Cassettes

Indoor unit

[Model Name]

[Service Ref.]

PLFY-WP32VBM-E

PLFY-WP32VBM-E.UK

PLFY-WP40VBM-E

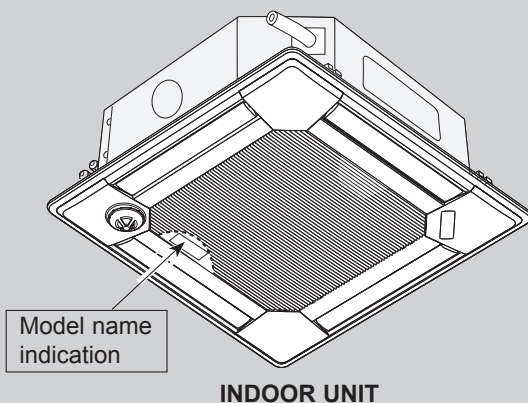
PLFY-WP40VBM-E.UK

PLFY-WP50VBM-E

PLFY-WP50VBM-E.UK

Note:

- RoHS compliant products have <G> mark on the spec name plate.



CONTENTS

1. RoHS PARTS LIST.....2
2. OPTIONAL PARTS..... 5

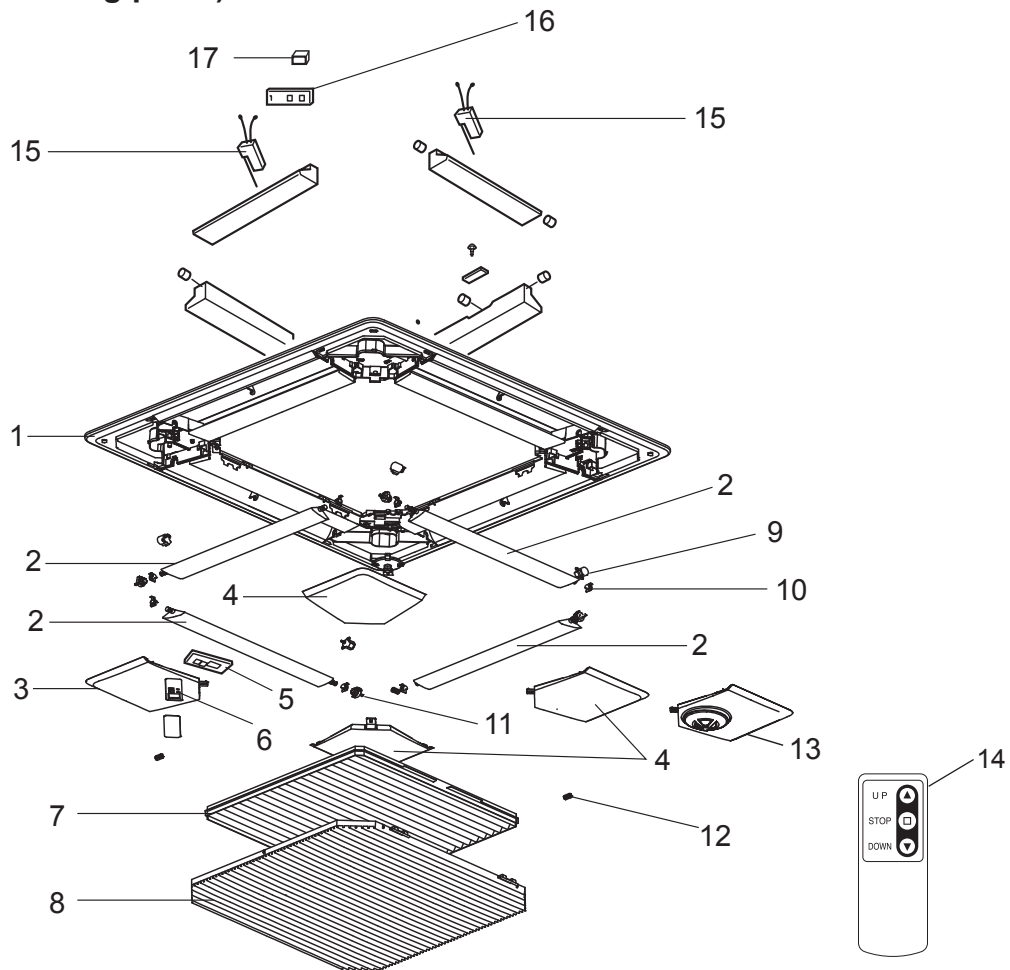
SERVICE MANUAL (OCH586)

PANEL PARTS

PLP-6BA (Standard)

PLP-6BAE (i-see sensor)

PLP-6BAJ (Auto descending panel)



Parts numbers that are circled are not shown in the illustration.

No.	RoHS	Parts No.	Parts Name	Specification	Q'ty/unit			Remarks (Drawing No.)	Wiring Diagram Symbol	Recom- mended Q'ty
					BA	BAE	BAJ			
1	G	S70 E20 003	AIR OUTLET GRILLE		1	1	1			
2	G	S70 E20 002	VANE ASSY		4	4	4			
3	G	S70 E31 638	CORNER PANEL (L)		1	1				
	G	S70 E41 638	CORNER PANEL (L)				1			
4	G	S70 E20 638	CORNER PANEL		3	2	3			
5	G	S70 E20 317	WIRELESS ADAPTER				1		W.B	
6	G	S70 E50 658	RECEIVER				1		RU	
7	G	S70 E20 500	L. L. FILTER-A		1	1	1			
8	G	S70 E20 691	GRILLE ASSY		1	1				
	G	S70 E30 691	GRILLE ASSY				1			
9	G	S70 E00 223	STEPPING MOTOR		4	4	4		MV	
10	G	S70 E00 063	VANE BUSH-A		8	8	8			
11	G	S70 E00 040	GEAR (Vane)		4	4	4			
12	G	S70 E01 040	GEAR (S/M)		4	4	4			
13	G	—	I-SEE SENSOR	PAC-SA1ME-E			1			
14	G	S70 E60 714	REMOTE CONTROLLER				1	for Auto Grille		
15	G	S70 0B0 213	MOTOR BOX				2		UK1	
16	G	S70 0B6 310	CONTROLLER BOARD				1		U.B	
17	G	S70 0B0 512	LIMIT SWITCH				1		LS1	
(18)	G	S70 E20 305	CABLE ASSY				1	for W.B.		
(19)	G	S70 E20 673	SCREW ASSY		1	1	1	Accessory		

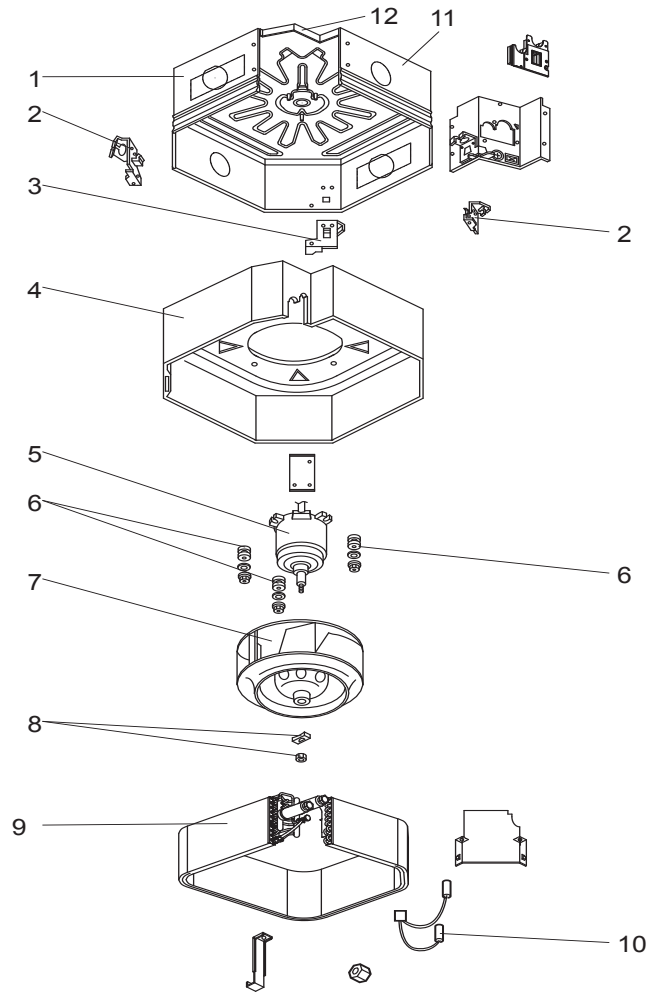
RoHS PARTS LIST

STRUCTURAL AND FUNCTIONAL PARTS

PLFY-WP32VBM-E.UK

PLFY-WP40VBM-E.UK

PLFY-WP50VBM-E.UK



No.	RoHS	Parts No.	Parts Name	Specification	Q'ty/unit			Remarks (Drawing No.)	Wiring Daigram Symbol	Recommended Q'ty
					PLFY-WP32VBM-E.UK	PLFY-WP40VBM-E.UK	PLFY-WP50VBM-E.UK			
1	G	S70 0B3 688	DRUM 2 ASSY		1	1	1			
2	G	S70 0B2 130	LEG 1A		2	2	2			
3	G	S70 0B1 130	LEG 1B		1	1	1			
4	G	S70 0B3 659	INNER COVER ASSY - S		1	1	1			
5	G	S70 0B3 762	FAN MOTOR		1	1	1		MF	
6	G	S70 0B1 105	MOTOR MOUNT		3	3	3			
7	G	S70 0B3 114	TURBO FAN		1	1	1			
8	G	S70 10B 097	SPL WASHER/NUT	M6	1	1	1			
9	G	S70 B10 480	HEAT EXCHANGER		1	1	1			
10	G	S70 0B2 202	THERMISTOR		1	1	1		TH22/TH23	
11	G	S70 0B1 688	DRUM 1 ASSY		1	1	1			
12	G	S70 0B1 687	BASE		1	1	1			

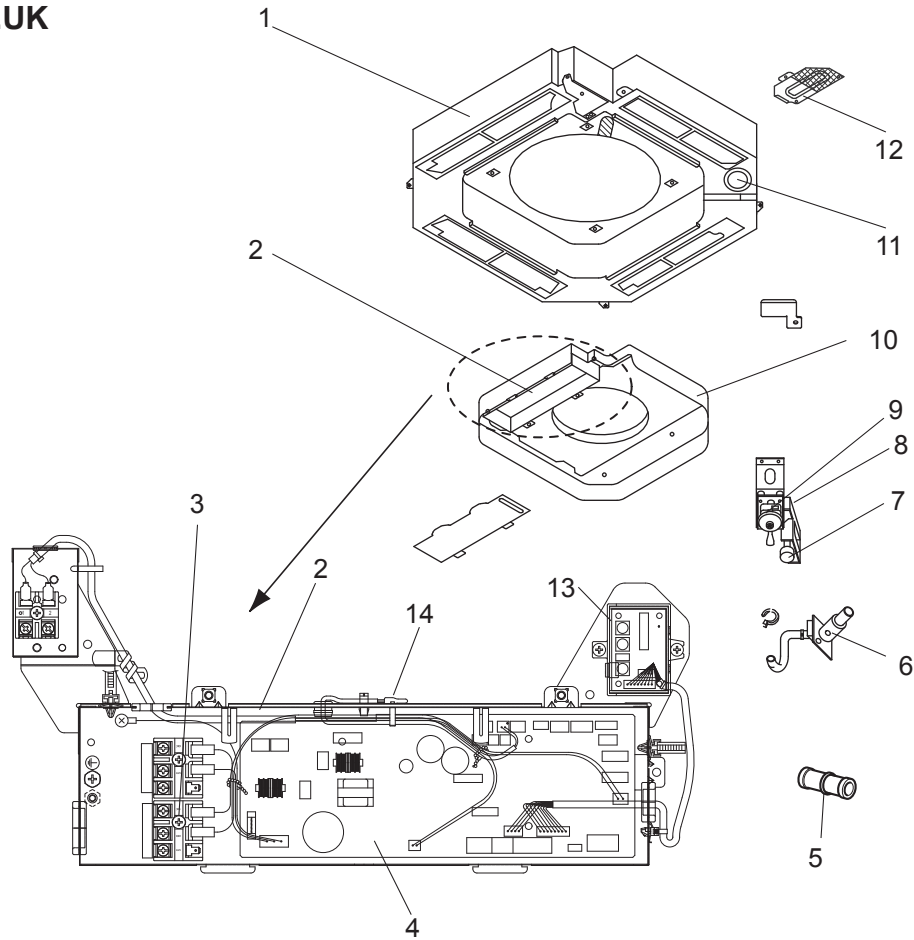
RoHS PARTS LIST

FUNCTIONAL AND ELECTRICAL PARTS

PLFY-WP32VBM-E.UK

PLFY-WP40VBM-E.UK

PLFY-WP50VBM-E.UK



No.	RoHS	Parts No.	Parts Name	Specification	Q'ty/unit		Remarks (Drawing No.)	Wiring Diagram Symbol
					PLFY-WP-VBM-E.UK	32/40/50		
1	G	S70 0B3 529	DRAIN PAN			1		
2	G	S70 0B6 501	ELECTRICAL CONTROL BOX			1		
3	G	S70 B02 716	TERMINAL BLOCK	3P (M1,M2,S) (L,N,⊕)		2		TB4/TB2
4	G	S70 0B1 310	INDOOR CONTROLLER BOARD			1		I.B
5	G	S70 29H 523	DRAIN SOCKET			1		
6	G	S70 0B1 527	DRAIN HOSE ASSY			1		
7	G	S70 0B1 266	DRAIN SENSOR (Float Switch)			1		FS
8	G	S70 0B1 533	DRAIN SENSOR HOLDER			1	ACCESSORY	
9	G	S70 0B1 355	DRAIN PUMP			1		DP
10	G	S70 0B2 502	BELLMOUTH			1		
11	G	S70 A41 524	DRAIN PLUG			1		
12	G	S70 0B1 663	CORNER COVER			1		
13	G	S70 0B1 313	ADDRESS BOARD			1		A.B
14	G	S70 0B1 202	ROOM TEMP. THERMISTOR			1		TH21

2**OPTIONAL PARTS****2-1. OPTIONAL PARTS LIST****2-1-1. MULTI FUNCTION CASEMENT**

Parts No.	PAC-SH53TM-E
-----------	--------------

2-1-2. AIR OUTLET SHUTTER PLATE

Parts No.	PAC-SH51SP-E
-----------	--------------

2-1-3. HIGH EFFICIENCY FILTER (PAC-SH53TM-E is required in using this optional part.)

Parts No.	PAC-SH59KF-E
-----------	--------------

2-1-4. i-SEE SENSOR CORNER PANEL

Parts No.	PAC-SA1ME-E
-----------	-------------

2-1-5. AUTOMATIC FILTER ELEVATION PANEL

Parts No.	PLP-6BAJ
-----------	----------

2-1-6. SPACE PANEL

Parts No.	PAC-SH48AS-E
-----------	--------------

2-1-7. FLANGE FOR FRESH AIR INTAKE

Parts No.	PAC-SH65OF-E
-----------	--------------

2-1-8. WIRELESS SIGNAL RECEIVER (CORNER PANEL)

Parts No.	PAR-SA9FA-E
-----------	-------------

2-1-9. WIRELESS REMOTE CONTROLLER

Parts No.	PAR-FL32MA
-----------	------------

2-1-10. WIRED REMOTE CONTROLLER (MA REMOTE CONTROLLER)

Parts No.	PAR-21MAA PAR-30MAA PAR-31MAA
-----------	-------------------------------------

2-1-11. WIRED REMOTE CONTROLLER (ME REMOTE CONTROLLER)

Parts No.	PAR-F27MEA
-----------	------------

2-1-12. DECORATION PANEL

Parts No.	PLP-6BA
-----------	---------

CITY MULTI

mitsubishi electric corporation

HEAD OFFICE : TOKYO BLDG., 2-7-3, MARUNOUCHI, CHIYODA-KU, TOKYO 100-8310, JAPAN
