

Air Conditioning

Product Information

CMB-WP108V-GB1
Slave HBC Controller
(H-VRF)

Making a
World of
Difference

CITY MULTI



Set to rival traditional heating and cooling, the new H-VRF System delivers optimum comfort and efficiency, using an innovative combination of unique 2-pipe technology and water to provide simultaneous heating and cooling with heat recovery.

Key Features

- Valves, pumps and heat exchangers all contained within the HBC
- No refrigerant in occupied spaces, so no need for leak detection
- Simplified 2-pipe design and installation
- Manageable phased installation through modular system design
- Cat A to Cat B is simple through HBC system design
- High sensible cooling and stable room temperatures for maximum comfort
- Simultaneous heating and cooling with full heat recovery between fan coils and building zones
- Heat recovery defrost method enables typical defrost times of 5 minutes with immediate return to heating
- Intuitive load adjusting flow control valves, inverter driven pumps and heat recovery for maximum efficiency
- Quiet operation through water based fan coils



Air Conditioning | Heating
Ventilation | Controls

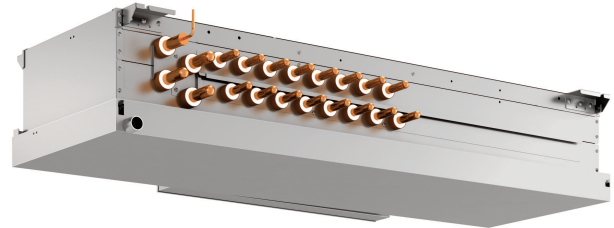
Air Conditioning

Product Information

CMB-WP108V-GB1 Slave HBC Controller (H-VRF)

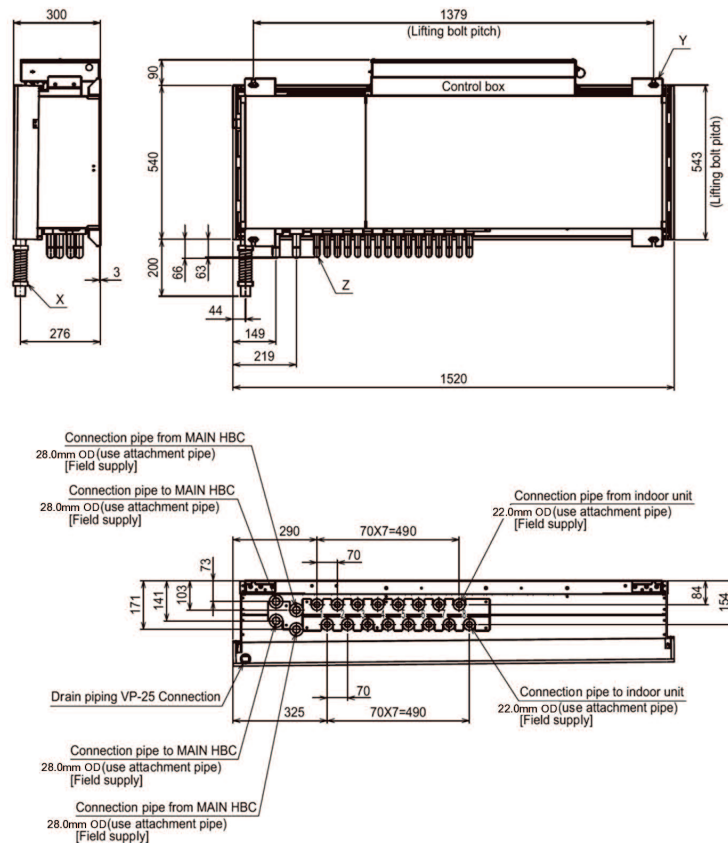
Making a
World of
Difference

SLAVE HBC CONTROLLERS	CMB-WP108V-GB1	
NUMBER OF CONNECTIONS (Size)	8 (22mm OD pipe)	
WEIGHT (kg) (Water)	43 (48)	
DIMENSIONS (mm)	Width	1520
	Depth	540 (630)
	Height	300
ELECTRICAL SUPPLY	220-240v, 50Hz	
PHASE	Single	
POWER INPUT (kW)	0.01	
RUNNING CURRENT (A)	0.05	
FUSE RATING (BS88) – HRC (A)	6	
MAINS CABLE NO. CORES	3	



Notes: CMB-WP-V-GA1 and CMB-WP-V-GB1 units are for use with PURY-P200-500YLM-A1, PURY-EP200-500YLM-A1, PORY-P200-500YLM-A units and H-VRF indoor units only (PEFY-WP, PFFY-WP, PLFY-WP).

DIMENSIONS



Telephone: 01707 282880

email: air.conditioning@meuk.mee.com web: www.airconditioning.mitsubishielectric.co.uk

UNITED KINGDOM Mitsubishi Electric Europe Living Environmental Systems Division
Travellers Lane, Hatfield, Hertfordshire, AL10 8XB, England General Enquiries Telephone: 01707 282880 Fax: 01707 278881

IRELAND Mitsubishi Electric Europe Westgate Business Park, Ballymount, Dublin 24, Ireland
Telephone: Dublin (01) 419 8800 Fax: Dublin (01) 419 8890 International code: (003531)

Country of origin: United Kingdom – Japan – Thailand – Malaysia. ©Mitsubishi Electric Europe 2016. Mitsubishi and Mitsubishi Electric are trademarks of Mitsubishi Electric Europe B.V. The company reserves the right to make any variation in technical specification to the equipment described, or to withdraw or replace products without prior notification or public announcement. Mitsubishi Electric is constantly developing and improving its products. All descriptions, illustrations, drawings and specifications in this publication present only general particulars and shall not form part of any contract. All goods are supplied subject to the Company's General Conditions of Sale, a copy of which is available on request. Third-party product and brand names may be trademarks or registered trademarks of their respective owners.



Note: The fuse rating is for guidance only. Please refer to the relevant databook for detailed specification. It is the responsibility of a qualified electrician/electrical engineer to select the correct cable size and fuse rating based on current regulation and site specific conditions. Mitsubishi Electric's air conditioning and heat pump systems contain fluorinated greenhouse gases R410A, R407C and R134a.



www.greengateway.mitsubishielectric.co.uk

Mitsubishi Electric UK's commitment
to the environment

Follow us @meuk_Jes
Follow us @green_gateway

Mitsubishi Electric
Living Environmental Systems UK

YouTube
mitsubishielectric2

Effective as of February 2016