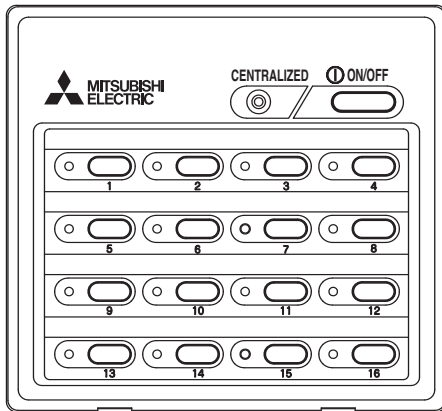


#### 3-4. ON/OFF remote controller PAC-YT40ANRA



- 16 groups/50 units can be controlled.
  - Up to 16 groups/50 units can be operated with one ON/OFF remote controller.
  - A general-purpose interface is available for control, so general devices can also be turned ON and OFF.
- Just press a switch to start.
  - All of the units can be started and stopped by pressing the main switch, and each unit in the group can be started and stopped with individual switches.
  - A general-purpose interface is available for control, so general devices can also be turned ON and OFF.
- LED flashing during failure.
  - If any error should occur in the air conditioner, its details can be confirmed easily with the flashing LED. The LED also indicates whether each group is running or stopped.
- Interlock operation with external system possible.
  - It can be flexibly interlocked with a card reader, fire alarm system or building management system, etc., using the incorporated external input/output function.
- Flexible group setting.
  - The groups can be easily configured, so the group pattern can be freely set according to the layout.
  - The ON/OFF remote controller can be connected at the indoor/outdoor transmission line without the power supply unit.

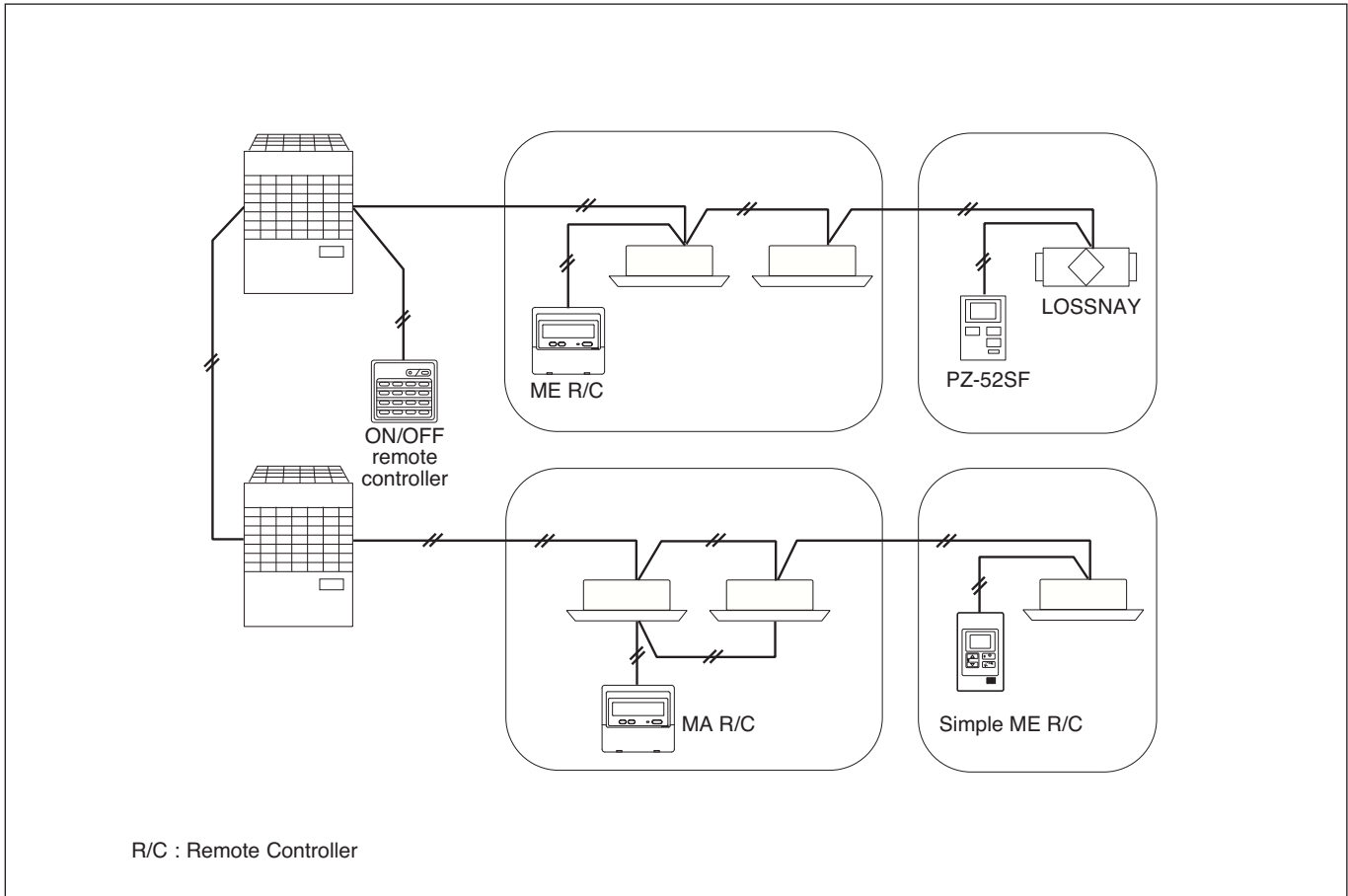
#### ■ Functions

□: Each unit ○: Each group ●: Each block  
 △: Each floor ⊙: Collective X: Not available

Item	Description	Operations	Display
ON/OFF	Run and stop operation for the air conditioner units	⊙	⊙
Operation mode switching	Not available	X	X
Temperature setting	Not available	X	X
Fan speed setting	Not available	X	X
Air flow direction setting	Not available	X	X
Manual operation prohibit/permit (ON/OFF, operation mode, setting temperature, filter reset)	Compatible only with external input.	X	X
Specific mode operation prohibit (Cooling prohibit, heating prohibit, cooling/heating prohibit)	Not available	X	X
Room temperature display	Not available	—	X
Error display	LED flashes during failure. (The error code can be confirmed by removing the cover.)	—	△
Schedule operation	Not available	X	X
Ventilation operation (independent)	Group operation of only LOSSNAY units possible. ※ Only ON/OFF of group.	○	○
Ventilation operation (interlocked)	The LOSSNAY will run in interlock with the operation of indoor unit. ※ The fan rate and mode cannot be changed. The LED will turn ON only during operation after interlocking.	△	△
External output (Error output, operation output)	"ON/OFF" and "error/normal" are output with the level signal. ※ The optional output cable is required.	⊙	⊙
Connection position	Indoor/outdoor transmission line: Connectable Central system transmission line: Connectable (Power supply unit (PAC-SC50KUA) is needed.)	—	—

#### 3-4. ON/OFF remote controller PAC-YT40ANRA

■ System example



■ External dimension

