

SERVICE PARTS LIST FOR MITSUBISHI ELECTRIC PACKAGED AIR-CONDITIONERS

Series PURY-P-YMF-C

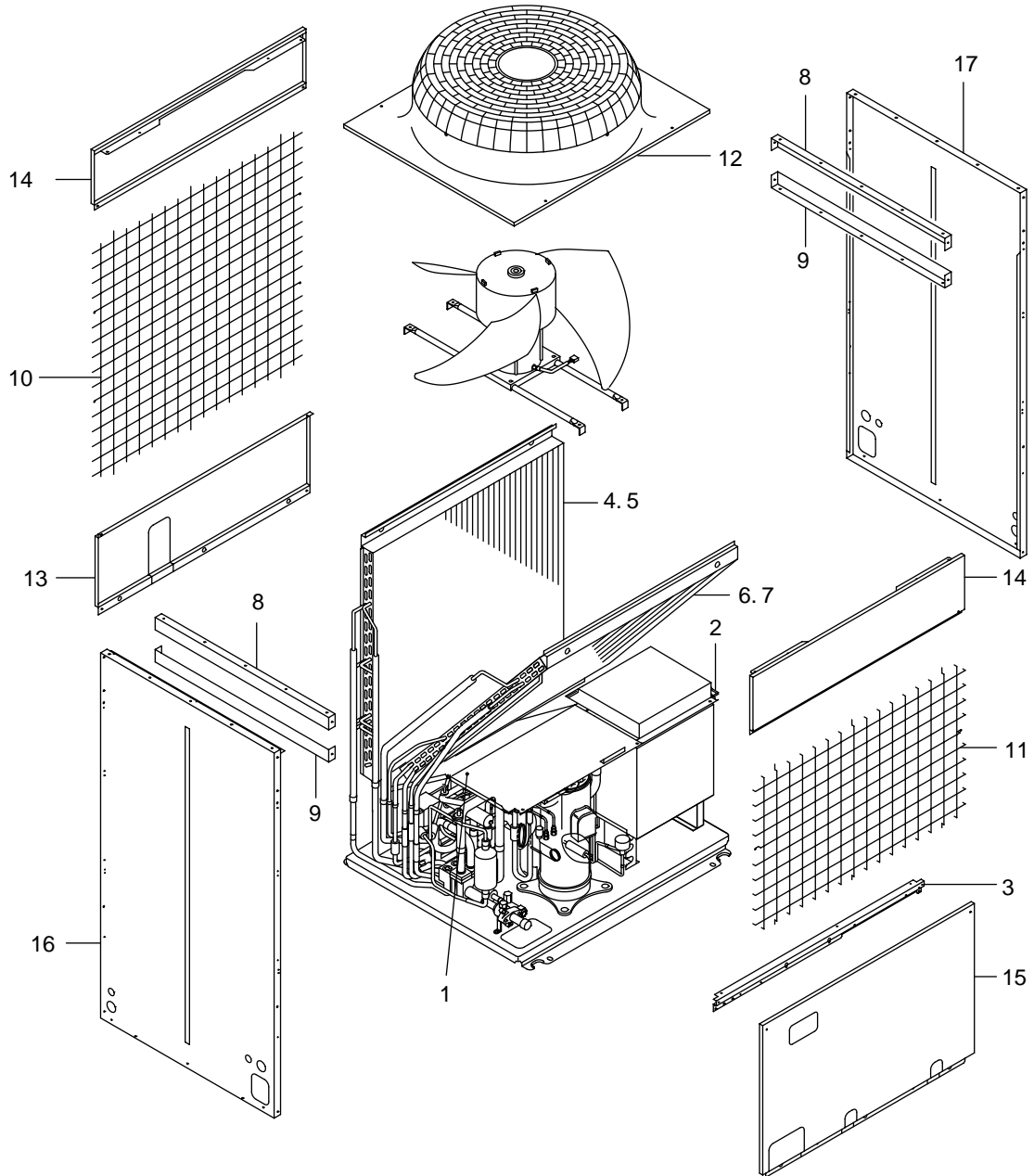
Sep. 2000

INDEX

PURY-P200YMF-C

PURY-P250YMF-C

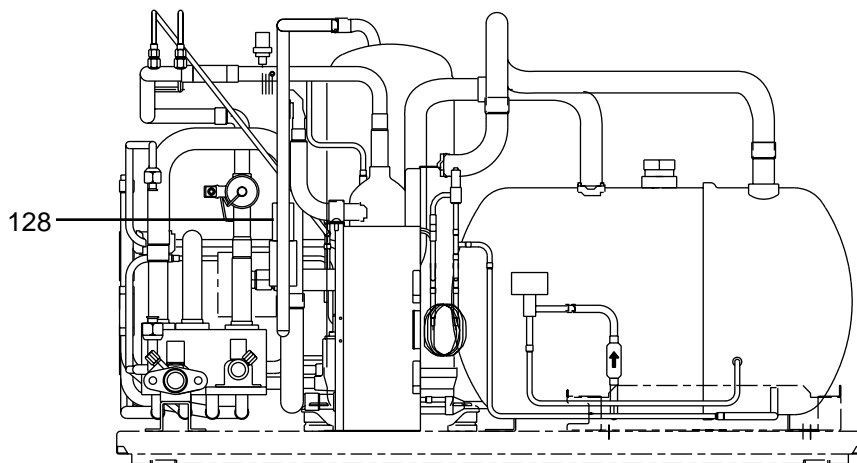
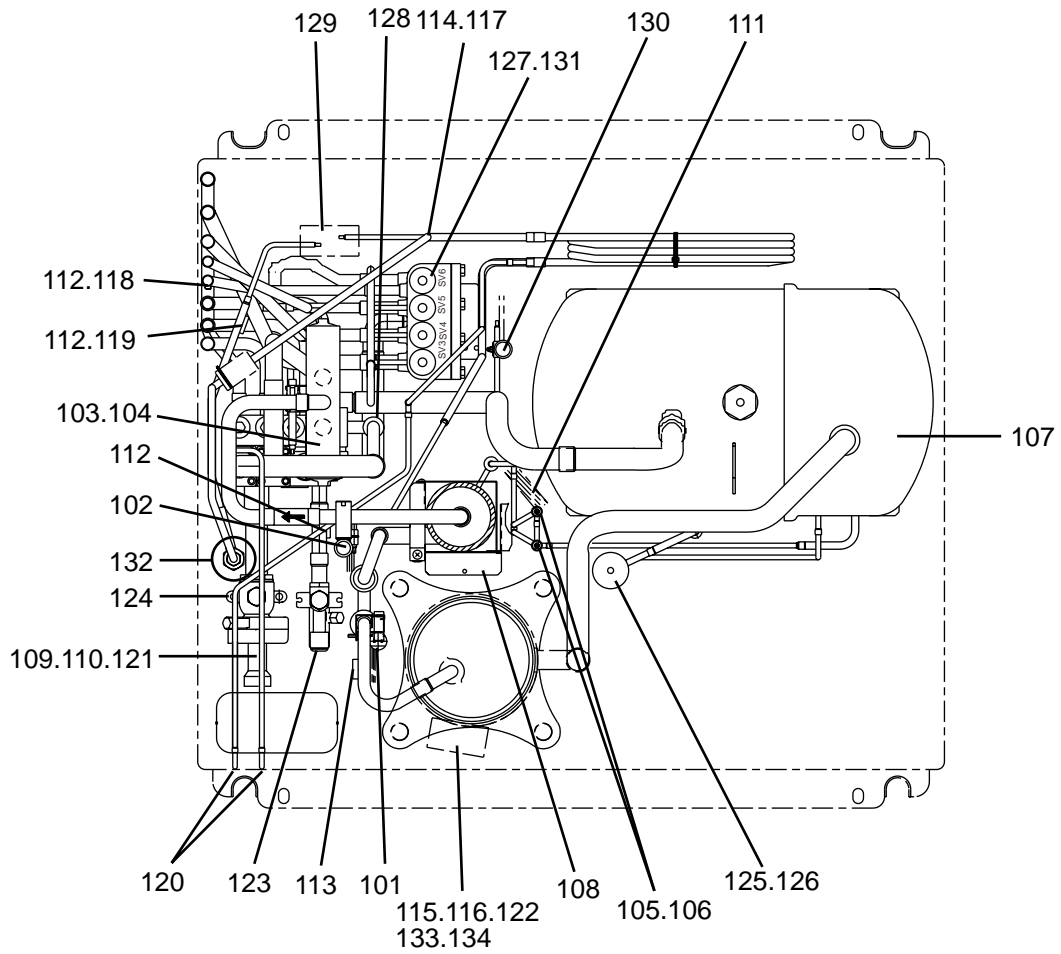
PURY-P200YMF-C
PURY-P250YMF-C
EXTERNAL PARTS



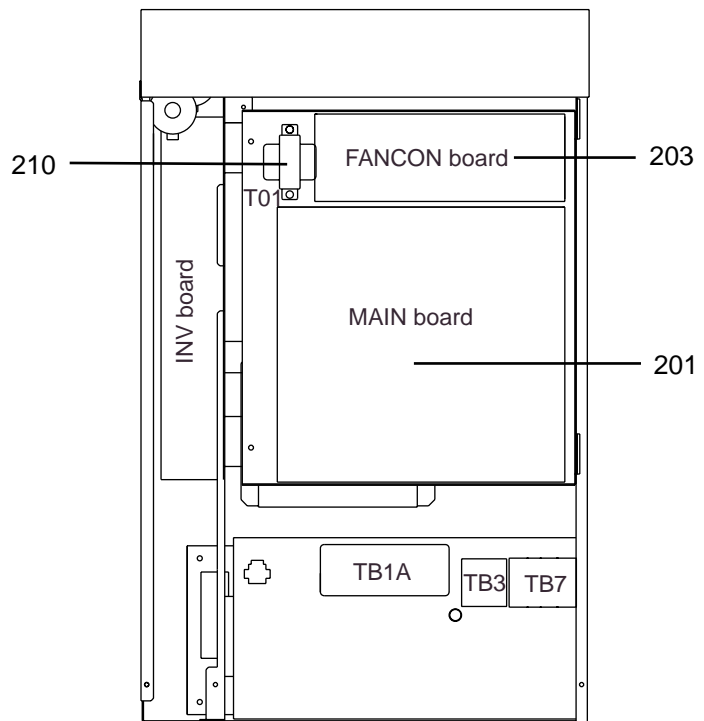
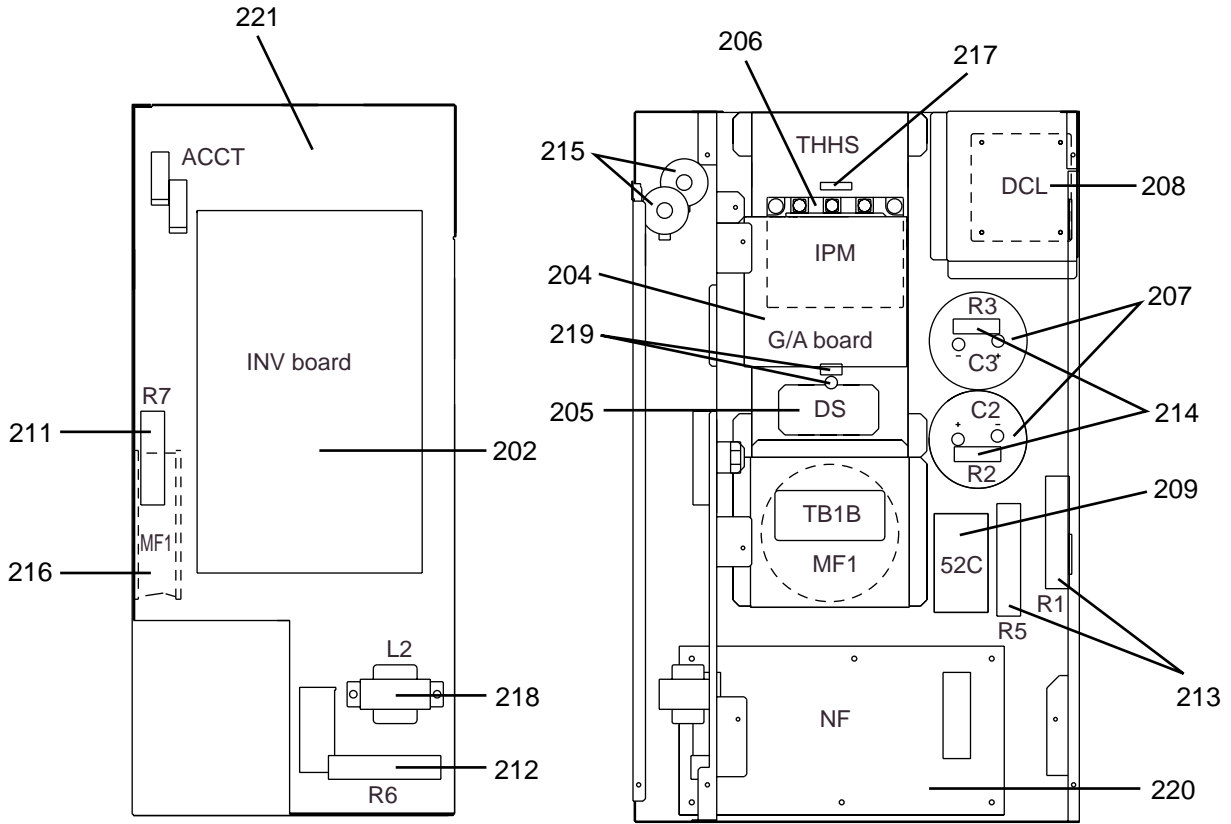
PURY-P200YMF-C
 PURY-P250YMF-C
 EXTERNAL PARTS

| No. | Part No. | Part Name | Dwg. No. | Q'ty / Set | | | | Spec. | Price |
|-----|-------------|-------------------------|------------|----------------|----------------|--|--|-------|-------|
| | | | | -P200 YMF-C | -P250 YMF-C | | | | |
| 1 | R61 Y08 629 | Partition board L ass'y | W638395G01 | 1 | 1 | | | | |
| 2 | R61 Y07 629 | Partition board R ass'y | W639809G01 | 1 | 1 | | | | |
| 3 | R61 Y04 659 | Front panel | W627844H02 | 1 | 1 | | | | |
| 4 | R61 Y70 480 | Heat exchanger B | W263694G07 | 1 | | | | | |
| 5 | R61 Y90 480 | Heat exchanger B | W268278G01 | | 1 | | | | |
| 6 | R61 Y71 480 | Heat exchanger F | W263693G07 | 1 | | | | | |
| 7 | R61 Y91 480 | Heat exchanger F | W263696G13 | | 1 | | | | |
| 8 | R61 A42 669 | Reinforcement | W856128H06 | 2 | 2 | | | | |
| 9 | R61 A45 669 | Reinforcement ass'y | W857427G05 | 2 | 2 | | | | |
| 10 | R61 A42 638 | Guard B ass'y | W265789G01 | 1 | 1 | | | | |
| 11 | R61 E66 611 | Guard F ass'y | W265788G01 | 1 | 1 | | | | |
| 12 | R61 A52 118 | Fan guard | W123195G01 | 1 | 1 | | | | |
| 13 | R61 A64 677 | Panel B ass'y | W615886G05 | 1 | 1 | | | | |
| 14 | R61 E69 652 | Panel FU | W633746G01 | 2 | 2 | | | | |
| 15 | R61 A42 651 | Panel F ass'y | W857425G17 | 1 | 1 | | | | |
| 16 | R61 G03 661 | Panel S ass'y(L) | W625856G02 | 1 | 1 | | | | |
| 17 | R61 G03 662 | Panel S ass'y(R) | W625856G01 | 1 | 1 | | | | |
| | | | | | | | | | |
| | | | | | | | | | |
| | | | | | | | | | |
| | | | | | | | | | |
| | | | | | | | | | |
| | | | | | | | | | |
| | | | | | | | | | |
| | | | | | | | | | |
| | | | | | | | | | |
| | | | | | | | | | |
| | | | | | | | | | |
| | | | | | | | | | |
| | | | | | | | | | |
| | | | | | | | | | |
| | | | | | | | | | |
| | | | | | | | | | |
| | | | | | | | | | |
| | | | | | | | | | |
| | | | | | | | | | |
| | | | | | | | | | |
| | | | | | | | | | |
| | | | | | | | | | |
| | | | | | | | | | |
| | | | | | | | | | |
| | | | | | | | | | |
| | | | | | | | | | |
| | | | | | | | | | |
| | | | | | | | | | |
| | | | | | | | | | |
| | | | | | | | | | |
| | | | | | | | | | |
| | | | | | | | | | |
| | | | | | | | | | |

PURY-P200YMF-C
 PURY-P250YMF-C
 FUNCTIONAL PARTS



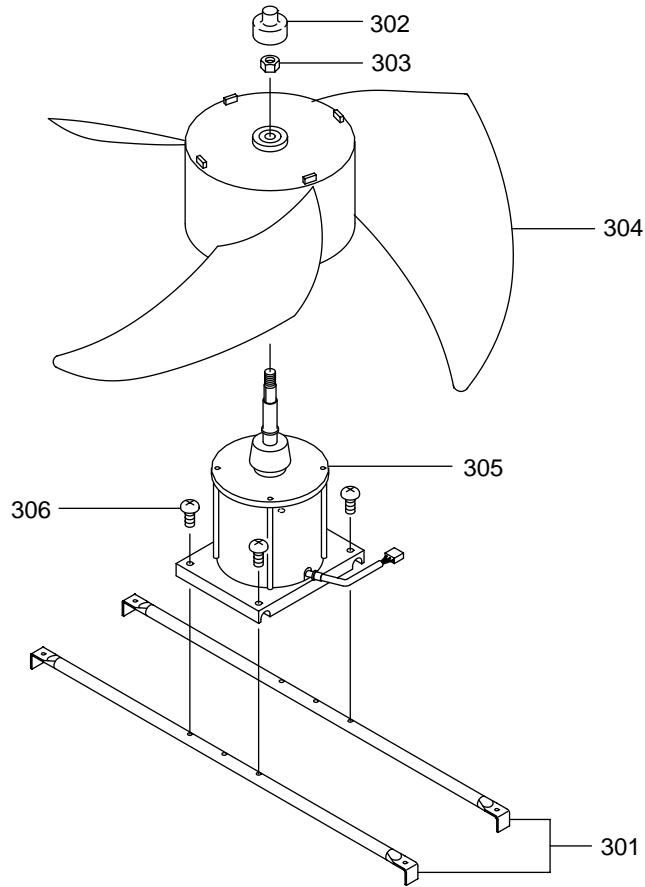
PURY-P200YMF-C
 PURY-P250YMF-C
 CONTROL BOX PARTS



PURY-P200YMF-C
 PURY-P250YMF-C
 CONTROL BOX PARTS

| No. | Part No. | Part Name | Dwg. No. | Q'ty / Set | | | | Spec. | Price |
|-----|-------------|----------------------|------------|----------------|----------------|--|-------------------------|-------|-------|
| | | | | -P200 YMF-C | -P250 YMF-C | | | | |
| 201 | R61 Y63 280 | Main board | W266235G09 | 1 | 1 | | | | |
| 202 | R61 Y67 280 | INV board | W639915G01 | 1 | 1 | | | | |
| 203 | R61 Y65 280 | Fan controller board | W639913G01 | 1 | 1 | | | | |
| 204 | R61 Y66 280 | G/A board | W639914G01 | 1 | 1 | | | | |
| 205 | R61 Y09 320 | Diode | S414032H06 | 1 | 1 | | DF60LB160 | | |
| 206 | R61 Y01 249 | IPM | W848413G04 | 1 | 1 | | 6MBP50RA120 | | |
| 207 | R61 Y18 252 | Capacitor | P412265X01 | 2 | 2 | | 400WV,4700μF<C2,3> | | |
| 208 | R61 Y01 259 | Reactor | P419149X01 | 1 | 1 | | 1.92mH/34A<DCL> | | |
| 209 | R61 Y19 225 | Magnet contactor | S427017H31 | 1 | 1 | | S-N18,AC230V<52C> | | |
| 210 | R61 Y14 260 | Transformer | P715302X01 | 1 | 1 | | 240V/40V<T1> | | |
| 211 | R61 670 234 | Resistor | P411113X01 | 1 | 1 | | 30W,22Ω<R7> | | |
| 212 | R61 A42 234 | Resistor | W237975K23 | 1 | 1 | | 40W,110Ω<R6> | | |
| 213 | R61 Y05 234 | Resistor | P411133X01 | 2 | 2 | | 40W,5kΩ<R1,5> | | |
| 214 | R61 Y02 234 | Resistor | P411126X01 | 2 | 2 | | 10W,33kΩ,pitch=32<R2,3> | | |
| 215 | R61 Y02 249 | ACCT | W639917G01 | 1 | 1 | | DJ-6 | | |
| 216 | R61 Y15 118 | Fan | W639916G01 | 1 | 1 | | 109S25UL | | |
| 217 | R61 375 201 | Thermistor | P414092X01 | 1 | 1 | | 181-503-97134 | | |
| 218 | R61 Y02 244 | Choke coil | P419121X01 | 1 | 1 | | 1A,30mH | | |
| 219 | R61 Y12 252 | ZNR+C | P412226X01 | 1 | 1 | | | | |
| 220 | R61 Y08 293 | NF VF4030C-MX2 | P419147X01 | 1 | 1 | | | | |
| 221 | R61 Y15 281 | Control box | W266294G01 | 1 | 1 | | | | |
| | | | | | | | | | |
| | | | | | | | | | |
| | | | | | | | | | |
| | | | | | | | | | |
| | | | | | | | | | |
| | | | | | | | | | |
| | | | | | | | | | |
| | | | | | | | | | |
| | | | | | | | | | |
| | | | | | | | | | |
| | | | | | | | | | |
| | | | | | | | | | |
| | | | | | | | | | |
| | | | | | | | | | |
| | | | | | | | | | |
| | | | | | | | | | |
| | | | | | | | | | |
| | | | | | | | | | |
| | | | | | | | | | |
| | | | | | | | | | |

PURY-P200YMF-C
 PURY-P250YMF-C
 BLOWER PARTS



| No. | Part No. | Part Name | Dwg. No. | Q'ty / Set | | | | Spec. | Price |
|-----|-------------|---------------|------------|----------------|----------------|--|-------------|-------|-------|
| | | | | -P200 YMF-C | -P250 YMF-C | | | | |
| 301 | R61 A42 140 | Fan stand | W856127G05 | 2 | 2 | | | | |
| 302 | R61 A69 086 | Cap | P221056X01 | 1 | 1 | | | | |
| 303 | R61 A42 122 | Nut 16 | P541016X01 | 1 | 1 | | | | |
| 304 | R61 E66 115 | Propeller fan | W872619G01 | 1 | 1 | | 750D | | |
| 305 | R61 Y33 221 | Motor | P714762X01 | 1 | 1 | | YD380VB<MF> | | |
| 306 | R61 E90 087 | Screw | P521020X01 | 4 | 4 | | 6X14 | | |
| | | | | | | | | | |
| | | | | | | | | | |
| | | | | | | | | | |
| | | | | | | | | | |
| | | | | | | | | | |
| | | | | | | | | | |
| | | | | | | | | | |
| | | | | | | | | | |
| | | | | | | | | | |
| | | | | | | | | | |
| | | | | | | | | | |
| | | | | | | | | | |
| | | | | | | | | | |

