

# SERVICE PARTS LIST FOR MITSUBISHI ELECTRIC PACKAGED AIR-CONDITIONERS

Series : PURY-EP•Y(S)LM-A1(-BS)

For use with the R410A

Apr. 2015  
BWE015060

INDEX
PURY-EP200YLM-A1
PURY-EP200YLM-A1-BS
PURY-EP250YLM-A1
PURY-EP250YLM-A1-BS
PURY-EP300YLM-A1
PURY-EP300YLM-A1-BS
PURY-EP350YLM-A1
PURY-EP350YLM-A1-BS
PURY-EP400YLM-A1
PURY-EP400YLM-A1-BS
PURY-EP450YLM-A1
PURY-EP450YLM-A1-BS
PURY-EP500YLM-A1
PURY-EP500YLM-A1-BS

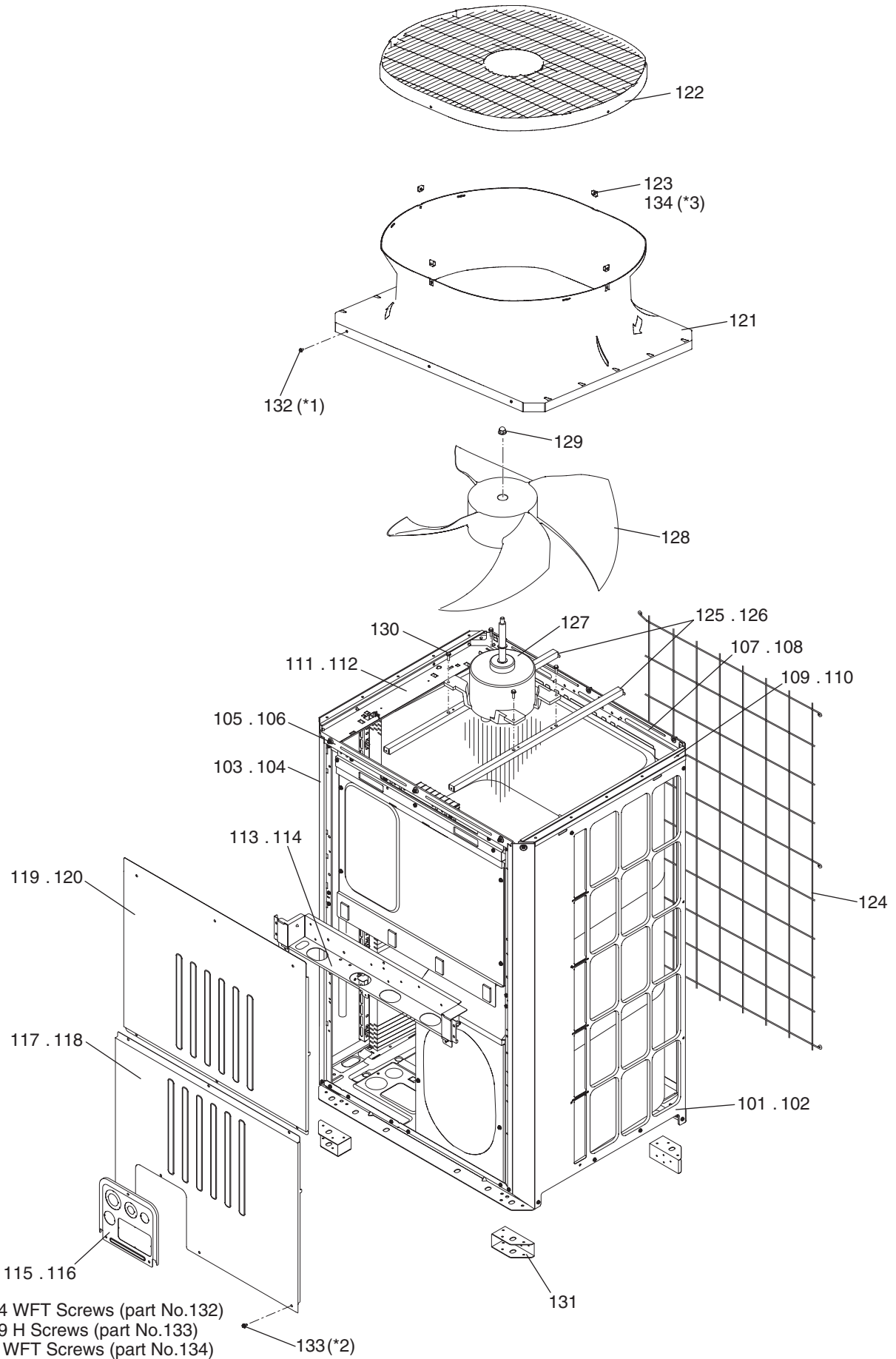
Refer to the next page for the package names.

## The Package name list

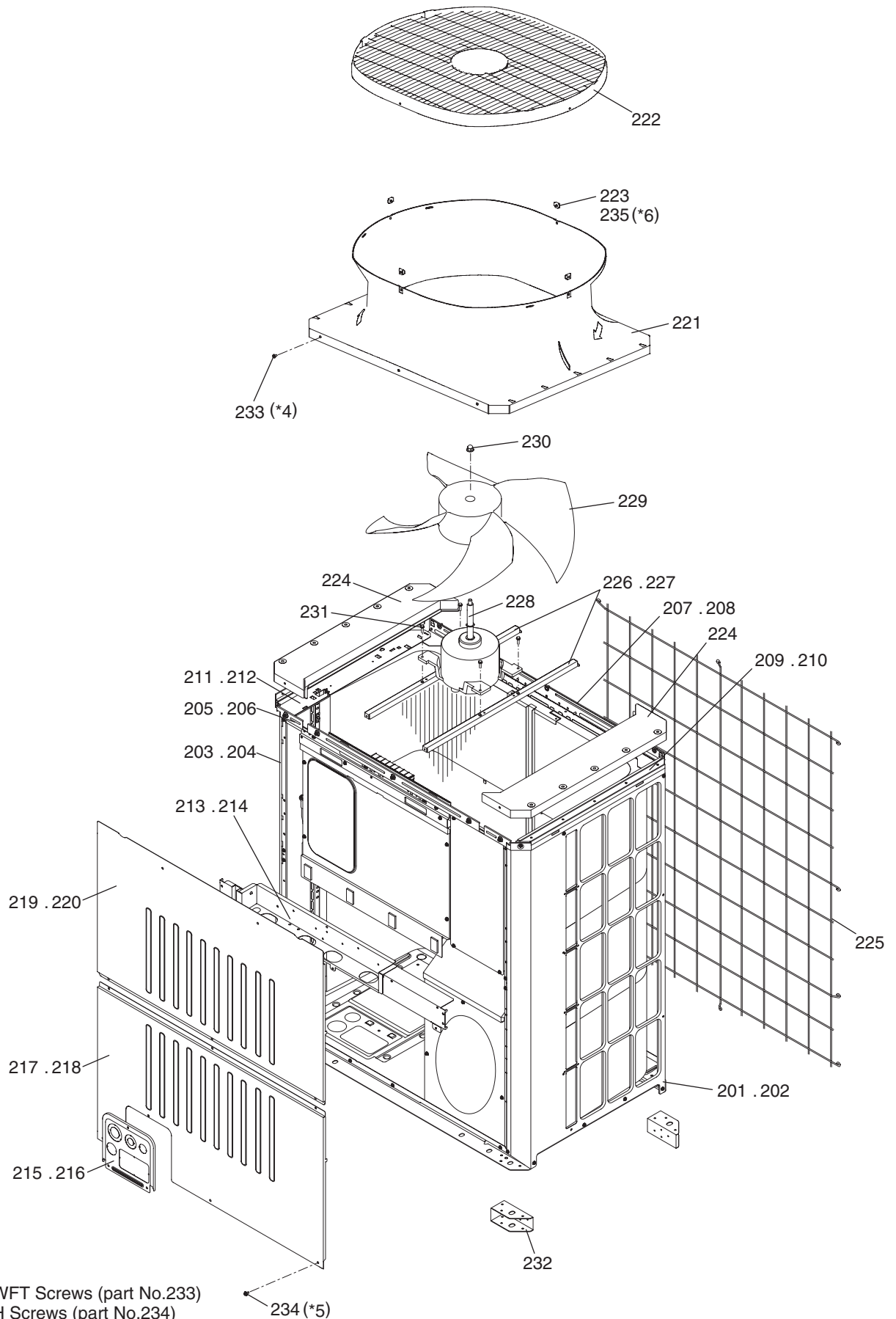
<b>PURY-EP500YSLM-A1(-BS)</b>	[PURY-EP250YLM-A1 (-BS) +PURY-EP250YLM-A1 (-BS)]
<b>PURY-EP550YSLM-A1(-BS)</b>	[PURY-EP250YLM-A1 (-BS) +PURY-EP300YLM-A1 (-BS)]
<b>PURY-EP600YSLM-A1(-BS)</b>	[PURY-EP300YLM-A1 (-BS) +PURY-EP300YLM-A1 (-BS)]
<b>PURY-EP650YSLM-A1(-BS)</b>	[PURY-EP300YLM-A1 (-BS) +PURY-EP350YLM-A1 (-BS)]
<b>PURY-EP700YSLM-A1(-BS)</b>	[PURY-EP350YLM-A1 (-BS) +PURY-EP350YLM-A1 (-BS)]
<b>PURY-EP750YSLM-A1(-BS)</b>	[PURY-EP350YLM-A1 (-BS) +PURY-EP400YLM-A1 (-BS)]
<b>PURY-EP800YSLM-A1(-BS)</b>	[PURY-EP400YLM-A1 (-BS) +PURY-EP400YLM-A1 (-BS)]
<b>PURY-EP850YSLM-A1(-BS)</b>	[PURY-EP400YLM-A1 (-BS) +PURY-EP450YLM-A1 (-BS)]
<b>PURY-EP900YSLM-A1(-BS)</b>	[PURY-EP450YLM-A1 (-BS) +PURY-EP450YLM-A1 (-BS)]

PURY-EP200YLM-A1(-BS)  
 PURY-EP250YLM-A1(-BS)

EXTERNAL PARTS & BLOWER PARTS (1)



No.	Part No.	G : RoHS Apply Only W : RoHS Apply by Running Change		Spec.	PURY-EP200YLM-A1	PURY-EP200YLM-A1-BS	PURY-EP250YLM-A1	PURY-EP250YLM-A1-BS	Dwg. No.	Notes for the models	Revision info.
		Part Name									
101	R63 052 652	G	Panel R		1	1			KB02A370G05		
102	R63 053 652	G	Panel R	BS		1	1		KB02A370G06		
103	R63 050 652	G	Panel L		1	1			KB02A369G07		
104	R63 051 652	G	Panel L	BS		1	1		KB02A369G08		
105	R61 001 161	G	Frame F		1	1			KD02G738H02		
106	R61 005 161	G	Frame F	BS		1	1		KD02G738G07		
107	R61 014 160	G	Frame assy B		1	1			KJ00L534G01		
108	R61 015 160	G	Frame assy B	BS		1	1		KJ00L534G02		
109	R61 105 162	G	Frame assy LR		1	1			KJ00L538G01		
110	R61 106 162	G	Frame assy LR	BS		1	1		KJ00L538G02		
111	R61 016 160	G	Frame assy L		1	1			KJ00L537G01		
112	R61 017 160	G	Frame assy L	BS		1	1		KJ00L537G02		
113	R63 077 162	G	Frame assy M		1	1			KD00L159G07		
114	R63 080 162	G	Frame assy M	BS		1	1		KD00L159G08		
115	R61 095 690	G	Piping cover		1	1			KB02L001G07		
116	R61 094 690	G	Piping cover	BS		1	1		KB02L001G08		
117	R61 208 651	G	Panel FB		1	1			KB02J835H06		
118	R61 209 651	G	Panel FB	BS		1	1		KB02J835G10		
119	R61 177 651	G	Panel FU		1	1			KB02J839H01		
120	R61 178 651	G	Panel FU	BS		1	1		KB02J839G02		
121	R61 004 119	G	Bell mouth		1	1	1	1	KB25A368H03		
122	R11 003 009	G	Fan guard		1	1	1	1	KB25V019H01		
123	R61 009 669	G	Plate fan guard		4	4	4	4	KD02D205H02		
124	R63 008 611	G	Fin guard B		1	1	1	1	KB07N273G01		
125	R61 016 140	G	Base fan		2	2			KD02D026H01		
126	R61 017 140	G	Base fan	BS		2	2		KD02D026G04		
127	R61 167 220	G	Motor	L-920-B4-1 AC380-400-920W	1	1	1	1	P780225X02		
128	R63 4H6 300	G	Fan		1	1	1	1	KB25A009H04		
129	R63 4H6 122	G	Box nut	M12 CH	1	1	1	1	P552000X01		
130	R61 028 087	G	Upset screw	M6 x 22	4	4	4	4	P516049X01		
131	R61 016 130	G	Attachment leg		4	4	4	4	KD02T773G01		
132	R63 006 087	G	WFT screw	M5 x 12 (30pcs)	2	2	2	2	KB00H418G01	*1	
133	R63 007 087	G	H screw	M5 x 10 KNURLED (30pcs)	3	3	3	3	KB00H418G14	*2	
134	R63 029 087	G	WFT screw	M5 x 16 (10pcs)	1	1	1	1	KD00H026G01	*3	

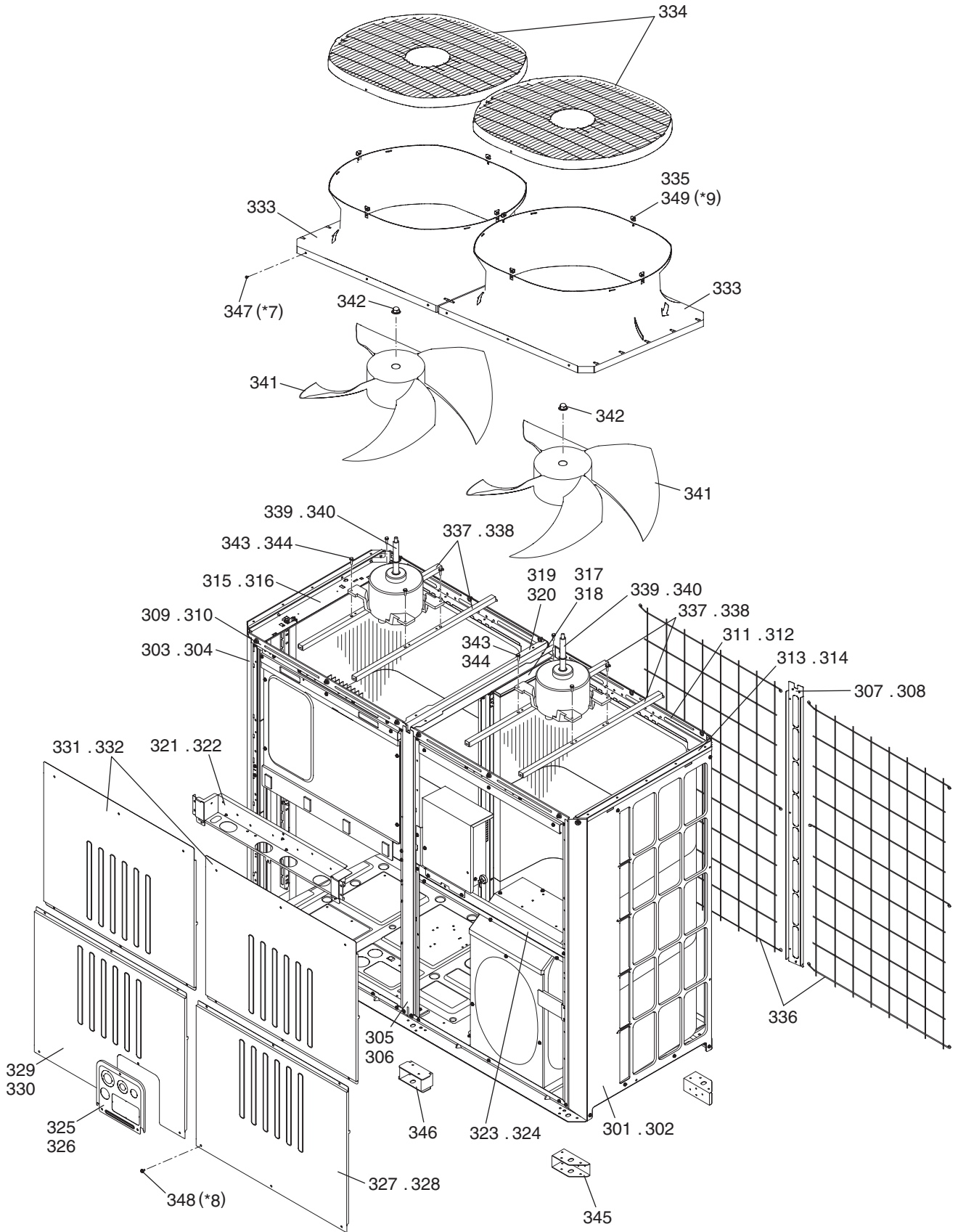


- \*4 42 WFT Screws (part No.233)
- \*5 93 H Screws (part No.234)
- \*6 4 WFT Screws (part No.235)

No.	Part No.	G : RoHS Apply Only W : RoHS Apply by Running Change		Spec.	PURY-EP300YLM-A1	PURY-EP300YLM-A1-BS	PURY-EP350YLM-A1	PURY-EP350YLM-A1-BS		Dwg. No.	Notes for the models	Revision info.
		Part Name										
201	R63 052 652	G	Panel R		1		1			KB02A370G05		
202	R63 053 652	G	Panel R	BS		1		1		KB02A370G06		
203	R63 050 652	G	Panel L		1		1			KB02A369G07		
204	R63 051 652	G	Panel L	BS		1		1		KB02A369G08		
205	R61 003 161	G	Frame F		1		1			KD02G739H02		
206	R61 006 161	G	Frame F	BS		1		1		KD02G739G07		
207	R61 018 160	G	Frame assy B		1		1			KJ00L535G01		
208	R61 019 160	G	Frame assy B	BS		1		1		KJ00L535G02		
209	R61 105 162	G	Frame assy LR		1		1			KJ00L538G01		
210	R61 106 162	G	Frame assy LR	BS		1		1		KJ00L538G02		
211	R61 016 160	G	Frame assy L		1		1			KJ00L537G01		
212	R61 017 160	G	Frame assy L	BS		1		1		KJ00L537G02		
213	R61 083 162	G	Frame assy M		1		1			KD00L235G04		
214	R61 084 162	G	Frame assy M	BS		1		1		KD00L235G05		
215	R61 095 690	G	Piping cover		1		1			KB02L001G07		
216	R61 094 690	G	Piping cover	BS		1		1		KB02L001G08		
217	R61 210 651	G	Panel FB		1		1			KB02J836H03		
218	R61 211 651	G	Panel FB	BS		1		1		KB02J836G05		
219	R61 185 651	G	Panel FU		1		1			KB02J840H01		
220	R61 186 651	G	Panel FU	BS		1		1		KB02J840G02		
221	R61 004 119	G	Bell mouth		1	1	1	1		KB25A368H03		
222	R11 003 009	G	Fan guard		1	1	1	1		KB25V019H01		
223	R61 009 669	G	Plate fan guard		4	4	4	4		KD02D205H02		
224	R61 008 118	G	Fan guard cover		2	2	2	2		KB25J827H03		
225	R61 009 611	G	Fin guard B		1	1	1	1		KB07N274G01		
226	R61 016 140	G	Base fan		2		2			KD02D026H01		
227	R61 017 140	G	Base fan	BS		2		2		KD02D026G04		
228	R61 167 220	G	Motor	L-920-B4-1 AC380-400-920W	1	1	1	1		P780225X02		
229	R63 4H6 300	G	Fan		1	1	1	1		KB25A009H04		
230	R63 4H6 122	G	Box nut	M12 CH	1	1	1	1		P552000X01		
231	R61 028 087	G	Upset screw	M6 x 22	4	4	4	4		P516049X01		
232	R61 016 130	G	Attachment leg		4	4	4	4		KD02T773G01		
233	R63 006 087	G	WFT Screw	M5 x 12 (30pcs)	2	2	2	2		KB00H418G01	*4	
234	R63 007 087	G	H Screw	M5 x 10 KNURLED (30pcs)	4	4	4	4		KB00H418G14	*5	
235	R63 029 087	G	WFT Screw	M5 x 16 (10pcs)	1	1	1	1		KD00H026G01	*6	

PURY-EP400YLM-A1(-BS)  
 PURY-EP450YLM-A1(-BS)  
 PURY-EP500YLM-A1(-BS)

EXTERNAL PARTS & BLOWER PARTS (3)



- \*7 PURY-EP400YLM-A1(-BS)···68 WFT Screws (part No.347),  
 PURY-EP450,EP500YLM-A1(-BS)···70 WFT Screws (part No.347)
- \*8 PURY-EP400YLM-A1(-BS)···133 H Screws (part No.348),  
 PURY-EP450,EP500YLM-A1(-BS)···135 H Screws (part No.348)
- \*9 8 WFT Screws (part No.349)

PURY-EP400YLM-A1(-BS)  
PURY-EP450YLM-A1(-BS)  
PURY-EP500YLM-A1(-BS)

EXTERNAL PARTS & BLOWER PARTS (3)

No.	Part No.	G : RoHS Apply Only W : RoHS Apply by Running Change	Part Name	Spec.	PURY-EP400YLM-A1	PURY-EP400YLM-A1-BS	PURY-EP450YLM-A1	PURY-EP450YLM-A1-BS	PURY-EP500YLM-A1	PURY-EP500YLM-A1-BS	Dwg. No.	Notes for the models	Revision info.
301	R63 052 652	G	Panel R		1		1		1		KB02A370G05		
302	R63 053 652	G	Panel R	BS		1		1		1	KB02A370G06		
303	R63 050 652	G	Panel L		1		1		1		KB02A369G07		
304	R63 051 652	G	Panel L	BS		1		1		1	KB02A369G08		
305	R61 022 626	G	Pillar assy MF		1		1		1		KD00R845G09		
306	R61 023 626	G	Pillar assy MF	BS		1		1		1	KD00R845G10		
307	R61 030 626	G	Pillar assy MB		1		1		1		KD02M109G01		
308	R61 031 626	G	Pillar assy MB	BS		1		1		1	KD02M109G02		
309	R61 061 162	G	Frame assy F		1		1		1		KD00L182G03		
310	R61 094 162	G	Frame assy F	BS		1		1		1	KD00L182G07		
311	R61 020 160	G	Frame assy B		1		1		1		KJ00L536G01		
312	R61 021 160	G	Frame assy B	BS		1		1		1	KJ00L536G02		
313	R61 105 162	G	Frame assy LR		1		1		1		KJ00L538G01		
314	R61 106 162	G	Frame assy LR	BS		1		1		1	KJ00L538G02		
315	R61 016 160	G	Frame assy L		1		1		1		KJ00L537G01		
316	R61 017 160	G	Frame assy L	BS		1		1		1	KJ00L537G02		
317	R61 014 499	G	Plate HEX assy		1		1		1		KJ00L539G01		
318	R61 015 499	G	Plate HEX assy	BS		1		1		1	KJ00L539G02		
319	R61 072 162	G	Frame MT		1		1		1		KB02J833H01		
320	R61 073 162	G	Frame MT	BS		1		1		1	KB02J833G01		
321	R63 087 162	G	Frame assy M		1		1		1		KD00L159G09		
322	R63 088 162	G	Frame assy M	BS		1		1		1	KD00L159G10		
323	R61 058 162	G	Frame MR		1		1		1		KD02G743H04		
324	R61 059 162	G	Frame MR	BS		1		1		1	KD02G743G02		
325	R61 095 690	G	Piping cover		1		1		1		KB02L001G07		
326	R61 094 690	G	Piping cover	BS		1		1		1	KB02L001G08		
327	R61 212 651	G	Panel FBR		1		1		1		KB02J838H04		
328	R61 213 651	G	Panel FBR	BS		1		1		1	KB02J838G06		
329	R61 182 651	G	Panel FBL		1		1		1		KB02J837H02		
330	R61 183 651	G	Panel FBL	BS		1		1		1	KB02J837G04		
331	R61 177 651	G	Panel FU		2		2		2		KB02J839H01		
332	R61 178 651	G	Panel FU	BS		2		2		2	KB02J839G02		
333	R61 005 119	G	Bell mouth		2	2	2	2	2	2	KB25A367H03		
334	R11 003 009	G	Fan guard		2	2	2	2	2	2	KB25V019H01		
335	R61 009 669	G	Plate Fan guard		8	8	8	8	8	8	KD02D205H02		
336	R61 010 611	G	Fin guard B		2	2	2	2	2	2	KB07N272G01		
337	R61 016 140	G	Base fan		4		4		4		KD02D026H01		
338	R61 017 140	G	Base fan	BS		4		4		4	KD02D026G04		
339	R61 167 220	G	Motor	L-920-B4-1 AC380-400-920W	2	2	2	2			P780225X02		
340	R61 204 220	G	Motor	920W Y 415V					2	2	KB61A639G02		
341	R63 4H6 300	G	Fan		2	2	2	2	2	2	KB25A009H04		
342	R63 4H6 122	G	Box nut	M12 CH	2	2	2	2	2	2	P552000X01		
343	R61 028 087	G	Upset Screw	M6 x 22	8	8	8	8			P516049X01		
344	R63 014 087	G	Upset Screw	M6 x 10					8	8	P516047X01		
345	R61 016 130	G	Attachment leg		4	4	4	4	4	4	KD02T773G01		



No.	Part No.	G : RoHS Apply Only W : RoHS Apply by Running Change	Part Name	Spec.	PURY-EP400YLM-A1	PURY-EP400YLM-A1-99	PURY-EP450YLM-A1	PURY-EP450YLM-A1-99	PURY-EP500YLM-A1	PURY-EP500YLM-A1-99	Dwg. No.	Notes for the models	Revision info.
346	R61 025 130	G	Attachment leg	XL	2	2	2	2	2	2	KD02T774G01		
347	R63 006 087	G	WFT Screw	M5 x 12 (30pcs)	3	3	3	3	3	3	KB00H418G01	*7	
348	R63 007 087	G	H Screw	M5 x 10 KNURLED (30pcs)	5	5	5	5	5	5	KB00H418G14	*8	
349	R63 029 087	G	WFT Screw	M5 x 16 (10pcs)	1	1	1	1	1	1	KD00H026G01	*9	

PURY-EP200YLM-A1(-BS)  
 PURY-EP250YLM-A1(-BS)

FUNCTIONAL PARTS (1)

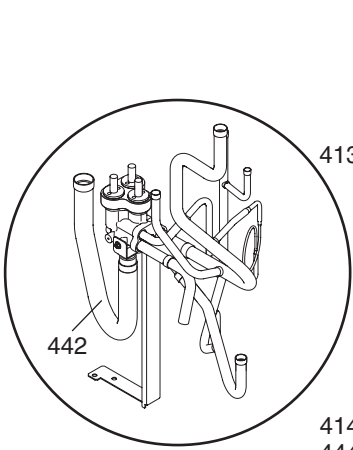
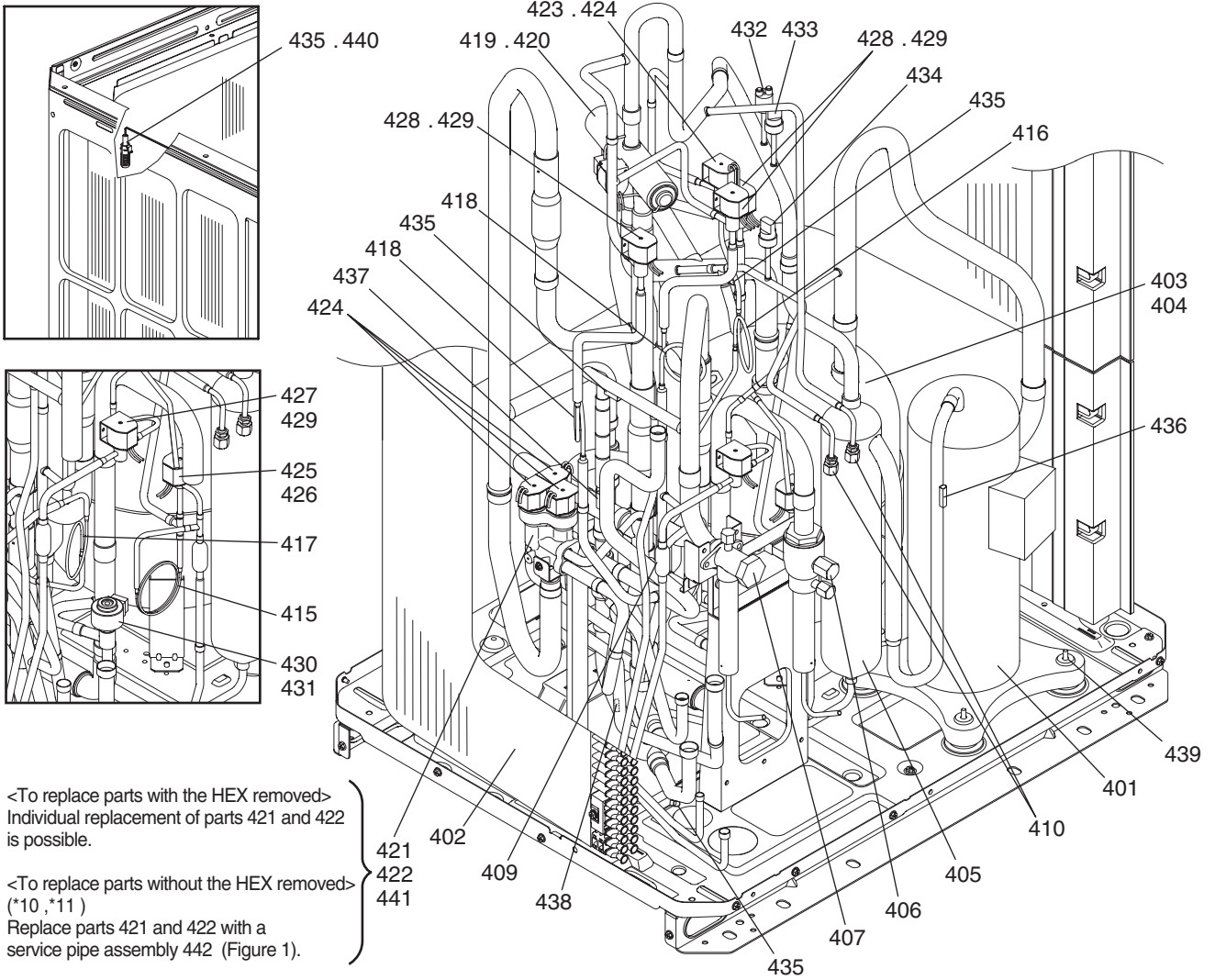
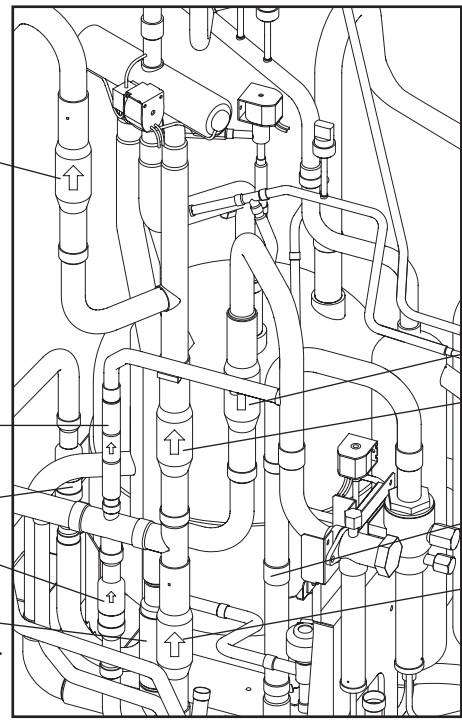
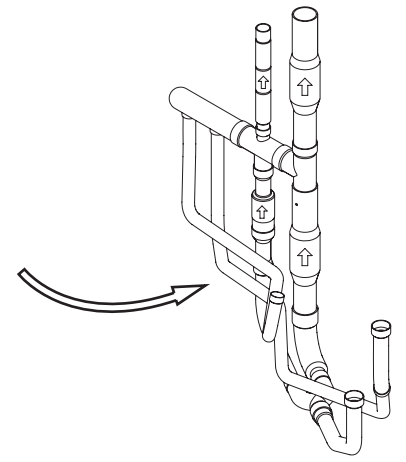


Figure 1



<To replace parts without the HEX removed>  
 (\*10, \*12)  
 Remove the solenoid valve block assembly (Figure 1), take the check valve assembly (see figure below) out of the unit, and replace parts 443, 444, 445.



<To replace parts with the HEX removed>  
 Individual replacement of parts 412, 413, and 414 is possible.

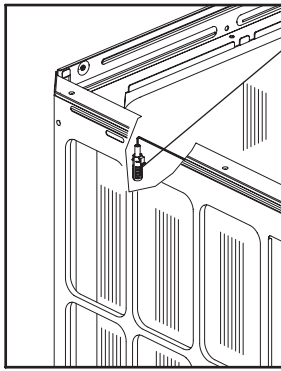
\*10 Refer to the replacement instructions provided with parts 442, 443, 444, and 445 for details.

\*11 A solenoid valve block assy and a sheet of replacement instructions are included with Solenoid valve block service parts kit (No. 442).  
 \*12 A check valve and a sheet of replacement instructions are included with Service parts with instructions (No. 443, 444, 445).

No.	Part No.	G : RoHS Apply Only W : RoHS Apply by Running Change	Part Name	Spec.	PURY-EP200YLM-A1	PURY-EP200YLM-A1-BS	PURY-EP250YLM-A1	PURY-EP250YLM-A1-BS	Dwg. No.	Notes for the models	Revision info.
402	R61 935 480	G	Heat exchanger	S	1	1	1	1	KD00U826G01		
403	R61 079 484	G	Accumulator assy		1		1		KB54B375G13		
404	R61 080 484	G	Accumulator assy	BS		1		1	KB54B375G14		
405	R61 044 487	G	Oil separator assy		1	1	1	1	KJ00L830G02		
406	R61 009 410	G	Ball valve	SBV-JA10YGME-3	1	1	1	1	P636358X01	<(LP)BV1>	
407	R63 007 538	G	Valve	VSAMH8SSCM-LA1	1	1	1	1	P636353X01	<(HP)BV2>	
408	R61 008 454	G	Strainer	25.4D	1	1	1	1	KB48K250G01	<ST1>	
409	R63 A42 454	G	Strainer	9.52	1	1	1	1	W882823G01	<ST18>	
410	R61 004 413	G	Check joint L		2	2	2	2	P666013X01	<(HP)CJ1,(LP)CJ2>	
411	R61 013 418	G	Check valve	YBV-22YA7GMD-1	1	1	1	1	P633132X01	<CV2a>	
412	R61 019 418	G	Check valve	UCV-A1507DQ4	2	2	2	2	P633135X01	<CV3a,CV9a>	
413	R61 002 418	G	Check valve	YBV-22Y9GMD-1	4	4	4	4	P639183X01	<CV4a,CV5a,CV7a,CV8a>	
414	R61 005 418	G	Check valve	YAV-P11Y5HMD-1	1	1	1	1	P633133X01	<CV6a>	
415	R63 002 425	G	Capillary tube assy		1	1	1	1	KB49F229G01	<CP1>	
416	R61 008 425	G	Capillary tube assy		1	1	1	1	KB49H700G01	<CP2>	
417	R61 022 425	G	Capillary tube assy		1	1	1	1	KD49F641G01	<CP3>	
418	R61 013 425	G	Capillary tube assy		2	2	2	2	KB49K872G01	<CP4,CP5>	
419	R61 013 403	G	Four way valve	STF-H0731	1	1	1	1	P633130X01	<21S4 a >	
420	R61 009 242	G	Four way valve coil	STF-H01AJ1737A1	1	1	1	1	P472092X01	<21S4 a >	
421	R61 038 232	G	Valve block assy	3SV	1	1	1	1	KB00T028G02		
422	R63 6A7 235	G	Solenoid valve	ACS-BPMD-8	3	3	3	3	P631310X01	<SV4a,SV4b,SV4d>	
423	R63 Y07 232	G	Solenoid valve	ATS-B7SMD-1	1	1	1	1	P631291X01	<SV9>	
424	R63 Y18 243	G	Solenoid valve coil	A22-1B02B-1	4	4	4	4	P472012X01	<SV4a,SV4b,SV4d,SV9>	
425	R63 046 232	G	Solenoid valve	FD2A77	1	1	1	1	P631312X01	<SV1a>	
426	R63 032 243	G	Solenoid valve coil	FQ-G625	1	1	1	1	P472070X01	<SV1a>	
427	R63 027 232	G	Solenoid valve	VPV-L202D	1	1	1	1	P631296X01	<SV5b>	
428	R63 001 921	G	Solenoid valve	VPV-603DQ3	3	3	3	3	P631295X01	<SV7,SV10,SV11>	
429	R61 015 243	G	Solenoid valve coil	VPV-MOAJ512B1	4	4	4	4	P472048X01	<SV5b,SV7,SV10,SV11>	
430	R61 036 401	G	Linear expansion valve	PAM-BBOYGMD-1	1	1	1	1	P632504X01	<LEV5a>	
431	R61 030 243	G	Linear expansion valve coil	PAM-MD12MD-6	1	1	1	1	P472081X01	<LEV5a>	
432	R63 Y11 208	G	Pressure switch	ACB-1UB28W	1	1	1	1	P426320X01	<63H1>	
433	R63 049 288	G	Pressure sensor	HP	1	1	1	1	KB00H904G20	<63HS1>	
434	R63 050 288	G	Pressure sensor	LP	1	1	1	1	KB00H904G21	<63LS>	
435	R61 060 200	G	Thermistor		4	4	4	4	P418065X01	<TH3,TH5,TH7,TH11>	
436	R63 911 202	G	Thermistor		1	1	1	1	P425416X02	<TH4>	
437	R63 800 202	G	Thermistor		1	1	1	1	P425494X01	<TH6>	
438	R63 172 200	G	Thermistor		1	1	1	1	P418098X01	<TH9>	
439	R63 852 860	G	Rubber mount		4	4	4	4	W897574H01	For compressor	
440	R61 001 310	G	Sensor holder		1	1	1	1	KB25B471H03		
441	R63 6A7 245	G	SV tightening element		1	1	1	1	W909209G01		
442	R61 075 232	G	SV block service parts kit		1	1	1	1	KD00U820G10	*11	
443	R61 041 418	G	Check valve 1	(with instructions)	2	2	2	2	KD00U820G12	*12 <CV4a,CV8a>	
444	R61 042 418	G	Check valve 2	(with instructions)	1	1	1	1	KD00U820G13	*12 <CV6a>	
445	R61 043 418	G	Check valve 3	(with instructions)	1	1	1	1	KD00U820G14	*12 <CV9a>	

**PURY-EP300YLM-A1(-BS)  
PURY-EP350YLM-A1(-BS)**

**FUNCTIONAL PARTS (2)**



535 . 540

<To replace parts with the HEX removed>  
Individual replacement of parts 521 and 522 is possible.

<To replace parts without the HEX removed (\*13, \*14)>  
Replace parts 521 and 522 with a service pipe assembly 542 (Figure 1).

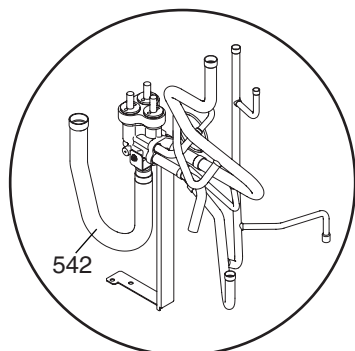
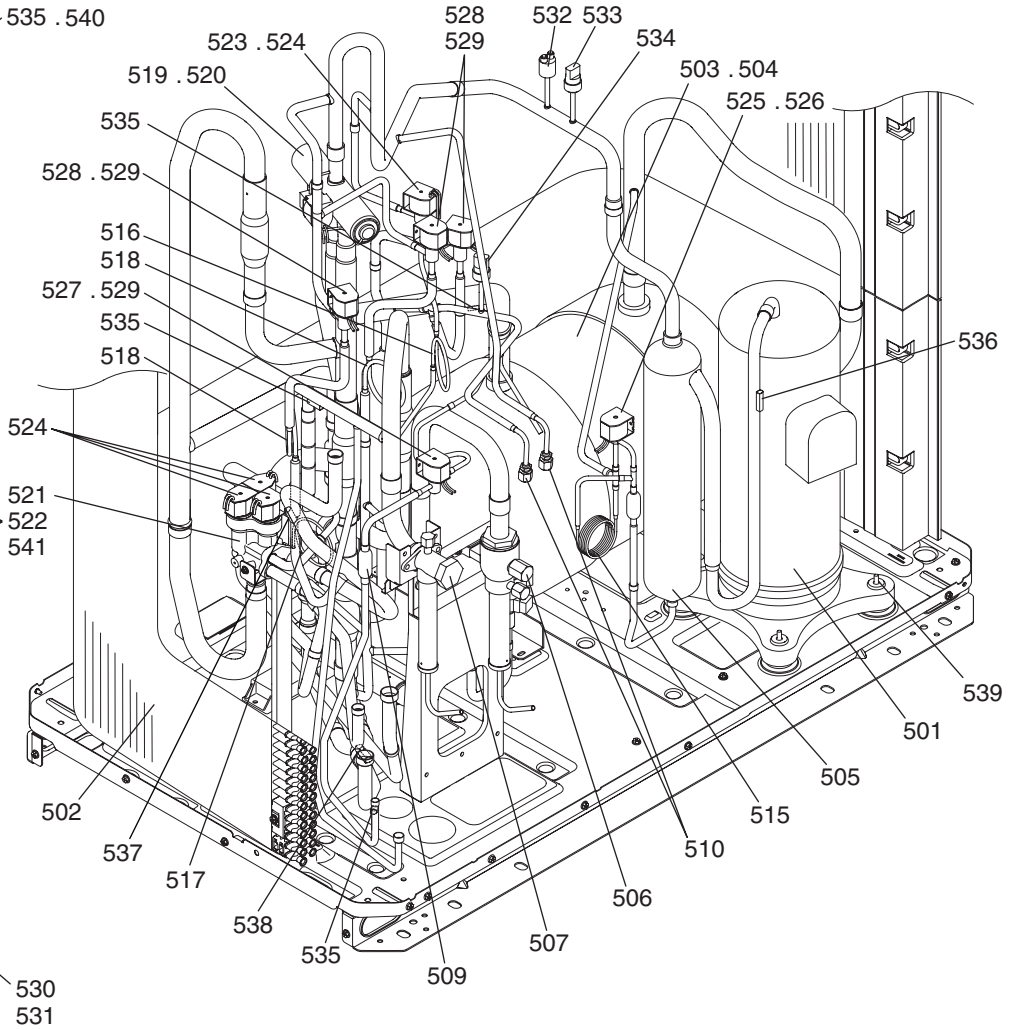
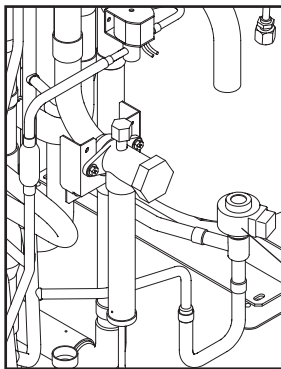
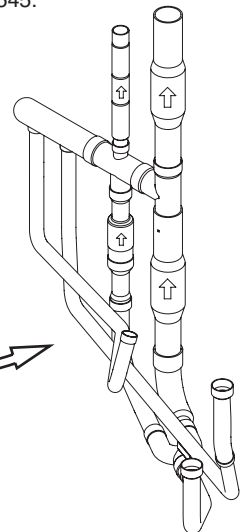
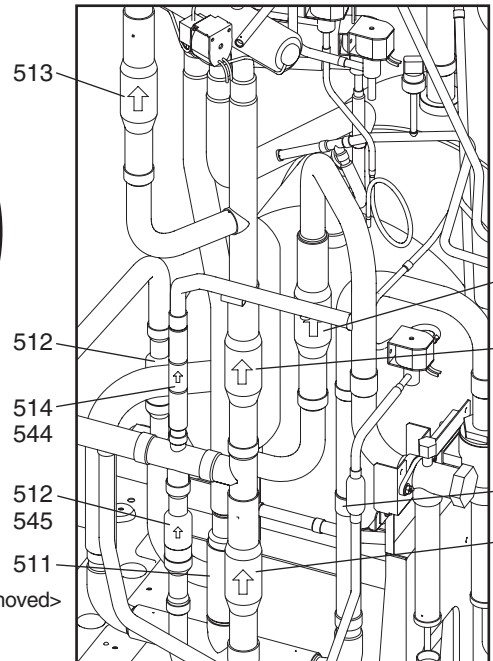


Figure 1

<To replace parts without the HEX removed>  
(\*13, \*15)  
Remove the solenoid valve block assembly (Figure 1), take the check valve assembly (see figure below) out of the unit, and replace parts 543, 544, 545.



<To replace parts with the HEX removed>  
Individual replacement of parts 512, 513, and 514 is possible.

\*13 Refer to the replacement instructions provided with parts 542, 543, 544, and 545 for details.

\*14 A solenoid valve block assy and a sheet of replacement instructions are included with Solenoid valve block service parts kit (No. 542).

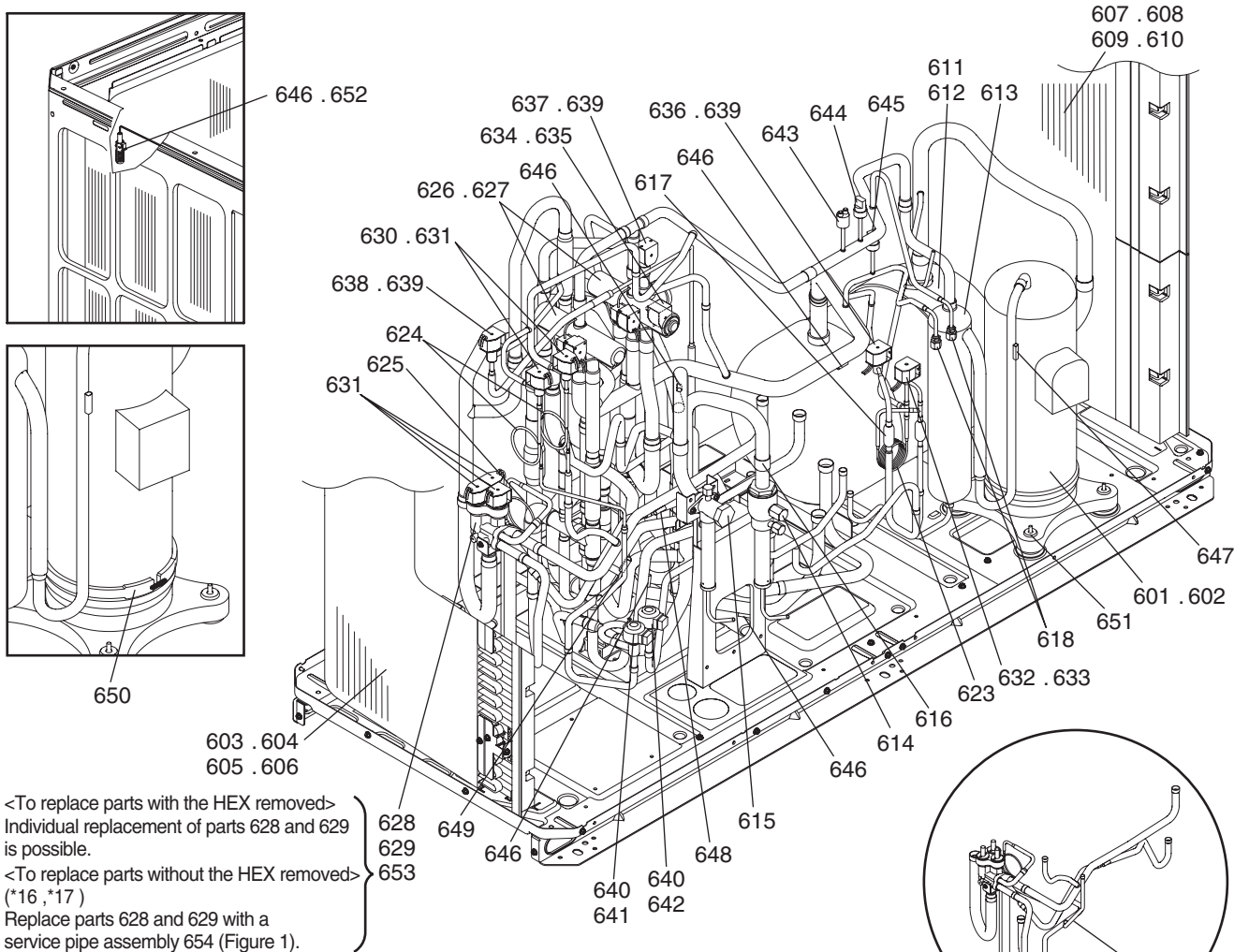
\*15 A check valve and a sheet of replacement instructions are included with Service parts with instructions (No. 543, 544, 545).

No.	Part No.	G : RoHS Apply Only W : RoHS Apply by Running Change	Part Name	Spec.	PURY-EP300YLM-A1	PURY-EP300YLM-A1-BS	PURY-EP350YLM-A1	PURY-EP350YLM-A1-BS	Dwg. No.	Notes for the models	Revision info.
501	R69 104 478	G	Scroll compressor	HNB83FB-YE	1	1	1	1	EP10136B03		
502	R61 936 480	G	Heat exchanger	L	1	1	1	1	KD00U827G01		
503	R61 118 484	G	Accumulator assy		1		1		KB54B479G33		
504	R61 119 484	G	Accumulator assy	BS		1		1	KB54B479G34		
505	R61 044 487	G	Oil separator assy		1	1	1	1	KJ00L830G02		
506	R61 009 410	G	Ball valve	SBV-JA10YGME-3	1	1	1	1	P636358X01	<(LP)BV1>	
507	R63 007 538	G	Valve	VSAMH8SSCM-LA1	1	1	1	1	P636353X01	<(HP)BV2>	
508	R61 008 454	G	Strainer	25.4D	1	1	1	1	KB48K250G01	<ST1>	
509	R63 A42 454	G	Strainer	9.52	1	1	1	1	W882823G01	<ST18>	
510	R61 004 413	G	Check joint L		2	2	2	2	P666013X01	<(HP)CJ1,(LP)CJ2>	
511	R61 013 418	G	Check valve	YBV-22YA7GMD-1	1	1	1	1	P633132X01	<CV2a>	
512	R61 019 418	G	Check valve	UCV-A1507DQ4	2	2	2	2	P633135X01	<CV3a,CV9a>	
513	R61 002 418	G	Check valve	YBV-22Y9GMD-1	4	4	4	4	P639183X01	<CV4a,CV5a,CV7a,CV8a>	
514	R61 005 418	G	Check valve	YAV-P11Y5HMD-1	1	1	1	1	P633133X01	<CV6a>	
515	R63 R55 425	G	Capillary tube assy		1	1	1	1	W905191G02	<CP1>	
516	R61 008 425	G	Capillary tube assy		1	1	1	1	KB49H700G01	<CP2>	
517	R61 022 425	G	Capillary tube assy		1	1	1	1	KD49F641G01	<CP3>	
518	R63 021 425	G	Capillary tube assy		2	2	2	2	KD49D414G01	<CP4,CP5>	
519	R61 013 403	G	Four way valve	STF-H0731	1	1	1	1	P633130X01	<21S4 a >	
520	R61 009 242	G	Four way valve coil	STF-H01AJ1737A1	1	1	1	1	P472092X01	<21S4 a >	
521	R61 038 232	G	Valve block assy	3SV	1	1	1	1	KB00T028G02		
522	R63 6A7 235	G	Solenoid valve	ACS-BPMD-8	3	3	3	3	P631310X01	<SV4a,SV4b,SV4d>	
523	R63 Y07 232	G	Solenoid valve	ATS-B7SMD-1	1	1	1	1	P631291X01	<SV9>	
524	R63 Y18 243	G	Solenoid valve coil	A22-1B02B-1	4	4	4	4	P472012X01	<SV4a,SV4b,SV4d,SV9>	
525	R63 046 232	G	Solenoid valve	FD2A77	1	1	1	1	P631312X01	<SV1a>	
526	R63 032 243	G	Solenoid valve coil	FQ-G625	1	1	1	1	P472070X01	<SV1a>	
527	R63 027 232	G	Solenoid valve	VPV-L202D	1	1	1	1	P631296X01	<SV5b>	
528	R63 001 921	G	Solenoid valve	VPV-603DQ3	3	3	3	3	P631295X01	<SV7,SV10,SV11>	
529	R61 015 243	G	Solenoid valve coil	VPV-MOAJ512B1	4	4	4	4	P472048X01	<SV5b,SV7,SV10,SV11>	
530	R61 036 401	G	Linear expansion valve	PAM-BBOYGMD-1	1	1	1	1	P632504X01	<LEV5a>	
531	R61 030 243	G	Linear expansion valve coil	PAM-MD12MD-6	1	1	1	1	P472081X01	<LEV5a>	
532	R63 Y11 208	G	Pressure switch	ACB-1UB28W	1	1	1	1	P426320X01	<63H1>	
533	R63 049 288	G	Pressure sensor	HP	1	1	1	1	KB00H904G20	<63HS1>	
534	R63 050 288	G	Pressure sensor	LP	1	1	1	1	KB00H904G21	<63LS>	
535	R61 060 200	G	Thermistor		4	4	4	4	P418065X01	<TH3,TH5,TH7,TH11>	
536	R63 911 202	G	Thermistor		1	1	1	1	P425416X02	<TH4>	
537	R63 800 202	G	Thermistor		1	1	1	1	P425494X01	<TH6>	
538	R63 172 200	G	Thermistor		1	1	1	1	P418098X01	<TH9>	
539	R63 852 860	G	Rubber mount		4	4	4	4	W897574H01	For compressor	
540	R61 001 310	G	Sensor holder		1	1	1	1	KB25B471H03		
541	R63 6A7 245	G	SV tightening element		1	1	1	1	W909209G01		
542	R61 076 232	G	SV block service parts kit		1	1	1	1	KD00U820G11	*14	
543	R61 041 418	G	Check valve 1	(with instructions)	2	2	2	2	KD00U820G12	*15 <CV4a,CV8a>	
544	R61 042 418	G	Check valve 2	(with instructions)	1	1	1	1	KD00U820G13	*15 <CV6a>	
545	R61 043 418	G	Check valve 3	(with instructions)	1	1	1	1	KD00U820G14	*15 <CV9a>	



**PURY-EP400YLM-A1(-BS)  
PURY-EP450YLM-A1(-BS)  
PURY-EP500YLM-A1(-BS)**

**FUNCTIONAL PARTS (3)**



<To replace parts with the HEX removed>  
Individual replacement of parts 628 and 629 is possible.  
<To replace parts without the HEX removed> (\*16, \*17)  
Replace parts 628 and 629 with a service pipe assembly 654 (Figure 1).

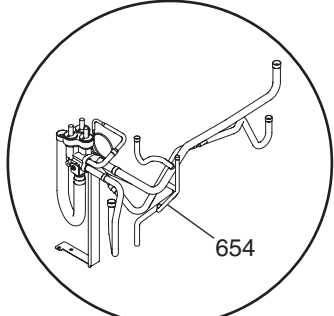
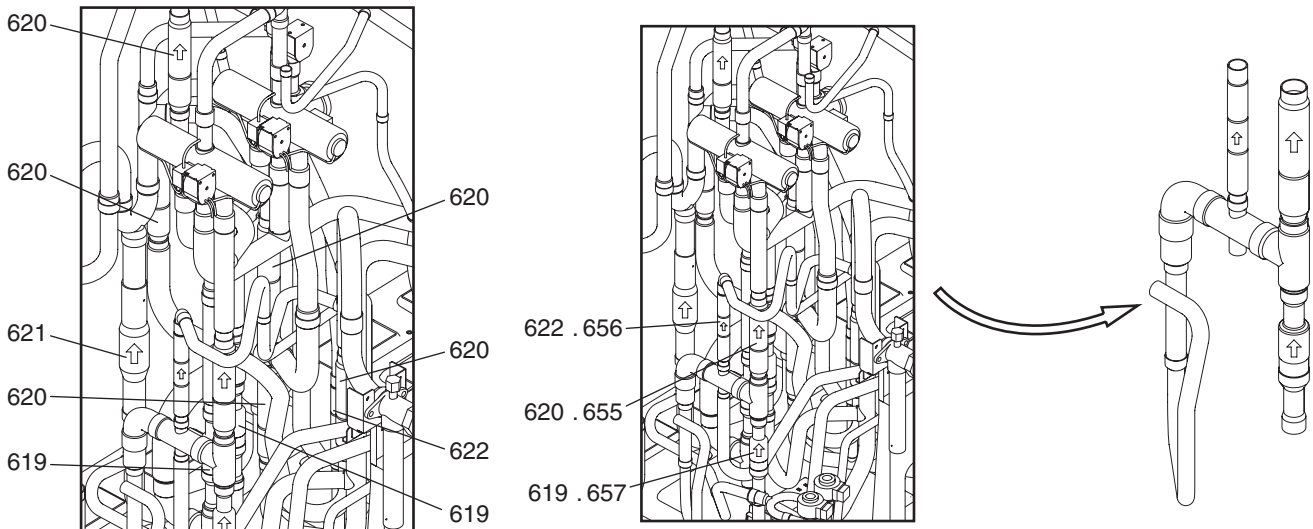


Figure 1

<To replace parts without the HEX removed>(\*16, \*18)  
Remove the solenoid valve block assembly (Figure 1), take the check valve assembly (see figure below) out of the unit, and replace parts 655, 656, 657.



<To replace parts with the HEX removed>  
Individual replacement of parts 619, 620, and 622 is possible.

\*16 Refer to the replacement instructions provided with parts 654, 655, 656, and 657 for details.  
\*17 A solenoid valve block assy and a sheet of replacement instructions are included with Solenoid valve block service parts kit (No. 654).  
\*18 A check valve and a sheet of replacement instructions are included with Service parts with instructions (No. 655, 656, 657).

PURY-EP400YLM-A1(-BS)  
PURY-EP450YLM-A1(-BS)  
PURY-EP500YLM-A1(-BS)

FUNCTIONAL PARTS (3)

No.	Part No.	G : RoHS Apply Only W : RoHS Apply by Running Change	Part Name	Spec.	PURY-EP400YLM-A1	PURY-EP400YLM-A1-BS	PURY-EP450YLM-A1	PURY-EP450YLM-A1-BS	PURY-EP500YLM-A1	PURY-EP500YLM-A1-BS	Dwg. No.	Notes for the models	Revision info.
601	R69 118 478	G	Scroll compressor	HNB84FC-YE	1	1	1	1			EP10126B04		
602	R69 119 478	G	Scroll compressor	HNB84FD-YE					1	1	EP10126B05		
603	R61 937 480	G	Heat exchanger L	XL	1						KD00U696G03		
604	R61 938 480	G	Heat exchanger L	XL BS		1					KD00U696G04		
605	R61 881 480	G	Heat exchanger L	XL			1		1		KD00S381G01		
606	R61 883 480	G	Heat exchanger L	XL BS				1		1	KD00S381G02		
607	R61 939 480	G	Heat exchanger R	XL	1						KD00U695G03		
608	R61 940 480	G	Heat exchanger R	XL BS		1					KD00U695G04		
609	R61 885 480	G	Heat exchanger R	XL			1		1		KD00S380G01		
610	R61 886 480	G	Heat exchanger R	XL BS				1		1	KD00S380G02		
611	R61 120 484	G	Accumulator assy		1		1		1		KB54B479G35		
612	R61 121 484	G	Accumulator assy	BS		1		1		1	KB54B479G36		
613	R61 044 487	G	Oil separator assy		1	1	1	1	1	1	KJ00L830G02		
614	R61 009 410	G	Ball valve	SBV-JA10YGME-3	1	1	1	1	1	1	P636358X01	<(LP)BV1>	
615	R63 007 538	G	Valve	VSAMH8SSCM-LA1	1	1	1	1	1	1	P636353X01	<(HP)BV2>	
616	R61 008 454	G	Strainer	25.4D	1	1	1	1	1	1	KB48K250G01	<ST1>	
617	R63 A42 454	G	Strainer	9.52	1	1	1	1	1	1	W882823G01	<ST18>	
618	R61 004 413	G	Check joint L		2	2	2	2	2	2	P666013X01	<(HP)CJ1,(LP)CJ2>	
619	R61 019 418	G	Check valve	UCV-A1507DQ4	3	3	3	3	3	3	P633135X01	<CV2a,CV2b,CV8a>	
620	R61 003 418	G	Check valve	LCVP15-7M	6	6	6	6	6	6	P639180X01	<CV4a,CV4b,CV5a,CV5b,CV7a,CV7b>	
621	R61 002 418	G	Check valve	YBV-22Y9GMD-1	1	1	1	1	1	1	P639183X01	<CV3a>	
622	R61 005 418	G	Check valve	YAV-P11Y5HMD-1	2	2	2	2	2	2	P633133X01	<CV6a,CV6b>	
623	R63 R55 425	G	Capillary tube assy		1	1	1	1	1	1	W905191G02	<CP1>	
624	R61 008 425	G	Capillary tube assy		2	2	2	2	2	2	KB49H700G01	<CP2,CP4>	
625	R61 022 425	G	Capillary tube assy		1	1	1	1	1	1	KD49F641G01	<CP3>	
626	R61 013 403	G	Four way valve	STF-H0731	2	2	2	2	2	2	P633130X01	<21S4 a ,21S4b>	
627	R61 009 242	G	Four way valve coil	STF-H01AJ1737A1	2	2	2	2	2	2	P472092X01	<21S4 a ,21S4b>	
628	R61 038 232	G	Valve block assy	3SV	1	1	1	1	1	1	KB00T028G02		
629	R63 6A7 235	G	Solenoid valve	ACS-BPMD-8	3	3	3	3	3	3	P631310X01	<SV4a,SV4b,SV4d>	
630	R63 Y07 232	G	Solenoid valve	ATS-B7SMD-1	2	2	2	2	2	2	P631291X01	<SV9,SV10>	
631	R63 Y18 243	G	Solenoid valve coil	A22-1B02B-1	5	5	5	5	5	5	P472012X01	<SV4a,SV4b,SV4d,SV9,SV10>	
632	R63 046 232	G	Solenoid valve	FDFA2A77	1	1	1	1	1	1	P631312X01	<SV1a>	
633	R63 032 243	G	Solenoid valve coil	FQ-G625	1	1	1	1	1	1	P472070X01	<SV1a>	
634	R63 P89 232	G	Solenoid valve	SR66PF-06WR	1	1	1	1	1	1	P631278X01	<SV4c>	
635	R61 007 243	G	Solenoid valve coil	SR10D-20L-3	1	1	1	1	1	1	P472030X02	<SV4c>	
636	R63 027 232	G	Solenoid valve	VPV-L202D	1	1	1	1	1	1	P631296X01	<SV5b>	
637	R61 040 232	G	Solenoid valve	VPV-803DQ50	1	1	1	1	1	1	P631300X01	<SV7>	
638	R63 001 921	G	Solenoid valve	VPV-603DQ3	1	1	1	1	1	1	P631295X01	<SV11>	
639	R61 015 243	G	Solenoid valve coil	VPV-MOAJ512B1	3	3	3	3	3	3	P472048X01	<SV5b,SV7,SV11>	
640	R61 036 401	G	Linear expansion valve	PAM-BBOYGMD-1	2	2	2	2	2	2	P632504X01	<LEV5a,LEV5b>	
641	R61 030 243	G	Linear expansion valve coil	PAM-MD12MD-6	1	1	1	1	1	1	P472081X01	<LEV5a>	
642	R61 022 243	G	Linear expansion valve coil	PAM-MD12MD-3	1	1	1	1	1	1	P472061X02	<LEV5b>	
643	R63 Y11 208	G	Pressure switch	ACB-1UB28W	1	1	1	1	1	1	P426320X01	<63H1>	
644	R63 052 288	G	Pressure sensor	HP	1	1	1	1	1	1	KB00H904G22	<63HS1>	
645	R63 053 288	G	Pressure sensor	LP	1	1	1	1	1	1	KB00H904G23	<63LS>	

PURY-EP400YLM-A1(-BS)  
 PURY-EP450YLM-A1(-BS)  
 PURY-EP500YLM-A1(-BS)

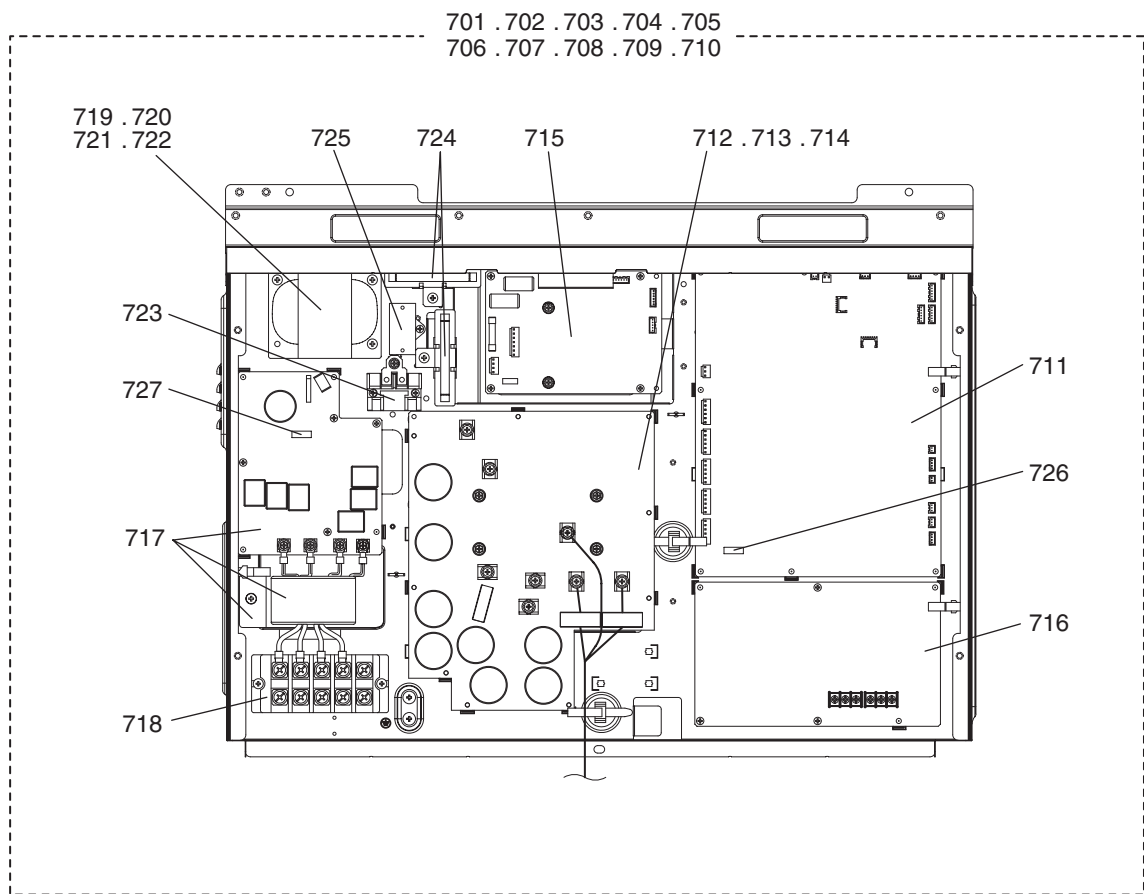
**FUNCTIONAL PARTS (3)**

No.	Part No.	G : RoHS Apply Only W : RoHS Apply by Running Change		Spec.	PURY-EP400YLM-A1	PURY-EP450YLM-A1-BS	PURY-EP460YLM-A1	PURY-EP460YLM-A1-BS	PURY-EP500YLM-A1	PURY-EP500YLM-A1-BS	Dwg. No.	Notes for the models	Revision info.
646	R61 060 200	G	Thermistor		5	5	5	5	5	5	P418065X01	<TH3,TH5,TH7,TH11,TH12>	
647	R63 911 202	G	Thermistor		1	1	1	1	1	1	P425416X02	<TH4>	
648	R63 800 202	G	Thermistor		1	1	1	1	1	1	P425494X01	<TH6>	
649	R63 172 200	G	Thermistor		1	1	1	1	1	1	P418098X01	<TH9>	
650	R63 Y07 237	G	Belt heater						1	1	P493781X02	<CH11>	
651	R63 852 860	G	Rubber mount		4	4	4	4	4	4	W897574H01	For compressor	
652	R61 001 310	G	Sensor holder		1	1	1	1	1	1	KB25B471H03		
653	R63 6A7 245	G	SV tightening element		1	1	1	1	1	1	W909209G01		
654	R61 077 232	G	SV block service parts kit		1	1	1	1	1	1	KD00U820G15	*17	
655	R61 044 418	G	Check valve 1	(with instructions)	1	1	1	1	1	1	KD00U820G16	*18 <CV4a>	
656	R61 045 418	G	Check valve 2	(with instructions)	1	1	1	1	1	1	KD00U820G17	*18 <CV6a>	
657	R61 046 418	G	Check valve 3	(with instructions)	1	1	1	1	1	1	KD00U820G18	*18 <CV8a>	



PURY-EP200,EP250YLM-A1(-BS)  
PURY-EP300,EP350YLM-A1(-BS)  
PURY-EP400,EP450YLM-A1(-BS)

### CONTROL BOX PARTS (1)



PURY-EP200,EP250YLM-A1(-BS)  
 PURY-EP300,EP350YLM-A1(-BS)  
 PURY-EP400,EP450YLM-A1(-BS)

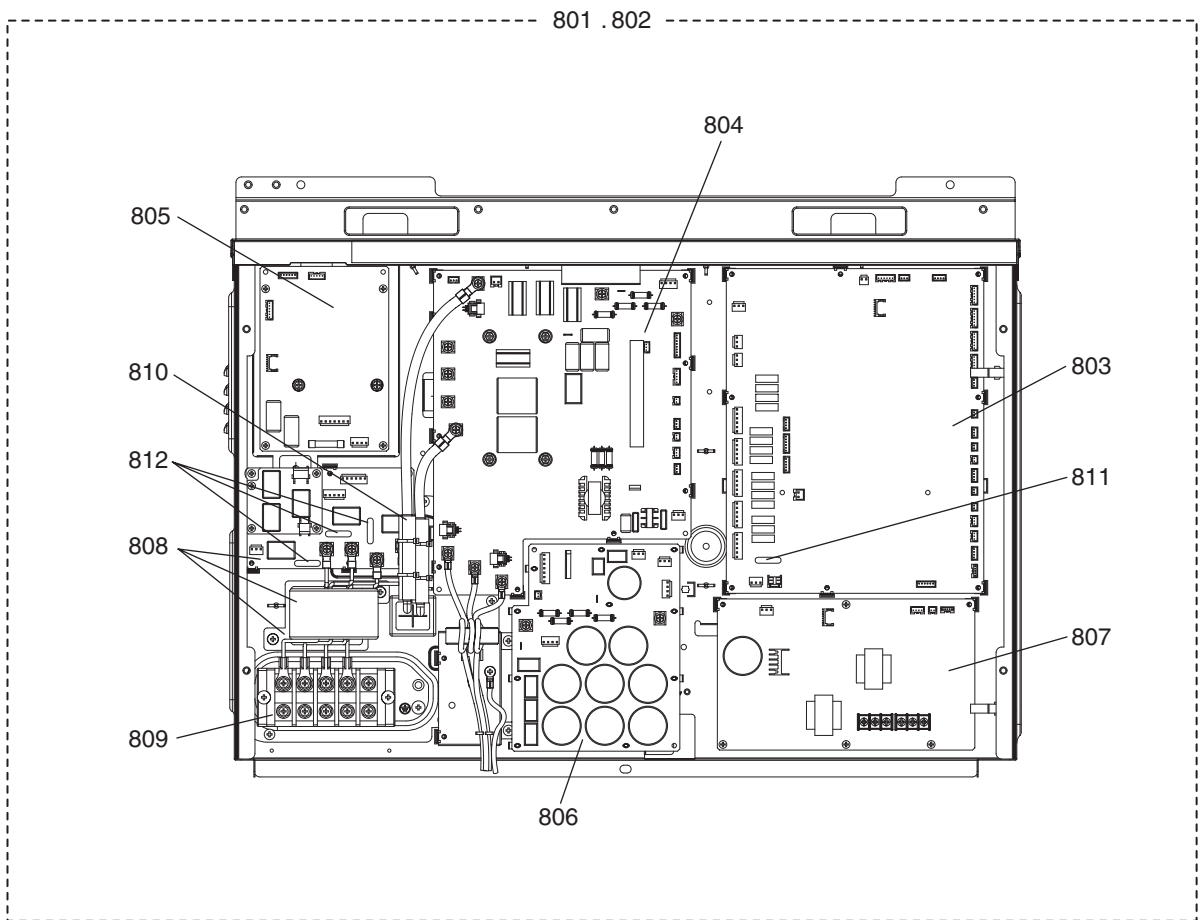
CONTROL BOX PARTS (1)

No.	Part No.	G : RoHS Apply Only W : RoHS Apply by Running Change		Spec.	PURY-EP200YLM-A1	PURY-EP200YLM-A1-BS	PURY-EP250YLM-A1	PURY-EP250YLM-A1-BS	PURY-EP300YLM-A1	PURY-EP300YLM-A1-BS	Dwg. No.	Notes for the models	Revision info.
		Part Name											
701	R61 662 305	G	Control box	R-EP200	1						KE80G095G75		
702	R61 663 305	G	Control box	R-EP200 BS		1					KE80G095G76		
703	R61 664 305	G	Control box	R-EP250			1				KE80G095G77		
704	R61 665 305	G	Control box	R-EP250 BS				1			KE80G095G78		
705	R61 666 305	G	Control box	R-EP300					1		KE80G095G79		
706	R61 667 305	G	Control box	R-EP300 BS						1	KE80G095G80		
707	R61 668 305	G	Control box	R-EP350							KE80G095G81		
708	R61 669 305	G	Control box	R-EP350 BS							KE80G095G82		
709	R61 670 305	G	Control box	R-EP400							KE80G095G83		
710	R61 671 305	G	Control box	R-EP400 BS							KE80G095G84		
711	R61 308 280	G	Control board		1	1	1	1	1	1	KE80C836G05	<MAIN09>	
712	R61 299 280	G	INV board		1	1	1	1			KE80C154G15	<INV20Y>	
713	R61 302 280	G	INV board						1	1	KE80C154G16	<INV20Y>	
714	R61 303 280	G	INV board								KE80C154G17	<INV20Y>	
715	R61 304 280	G	Fan board		1	1	1	1	1	1	W652171G18	<INV/S12Y>	
716	R63 187 280	G	M-NET board		1	1	1	1	1	1	KE80C055G06	<PS-MNET-Y>	
717	R61 028 293	G	Noise filter	board,coil,plate	1	1	1	1	1	1	KE80C727G03		
718	R61 007 246	G	Terminal block		1	1	1	1	1	1	S436005H12	<TB1>	
719	R61 017 259	G	Reactor		1	1					P715458X01	<DCL>	
720	R61 027 259	G	Reactor				1	1			P715476X02	<DCL>	
721	R61 028 259	G	Reactor						1	1	P715475X02	<DCL>	
722	R61 012 259	G	Reactor								P715441X02	<DCL>	
723	R61 003 216	G	Relay		1	1	1	1	1	1	P421295X01	<72C>	
724	R61 001 234	G	Resistor		2	2	2	2	2	2	P411151X01	<R1,R5>	
725	R61 001 255	G	Capacitor assy		1	1	1	1	1	1	KE00D263G01	<C100>	
726	R61 018 239	G	Fuse	3.15A AC250V T	1	1	1	1	1	1	YE81D827H02		
727	R61 006 239	G	Fuse	6.3A AC250V T	1	1	1	1	1	1	S423001H42		

PURY-EP200,EP250YLM-A1(-BS)  
 PURY-EP300,EP350YLM-A1(-BS)  
 PURY-EP400,EP450YLM-A1(-BS)

CONTROL BOX PARTS (1)

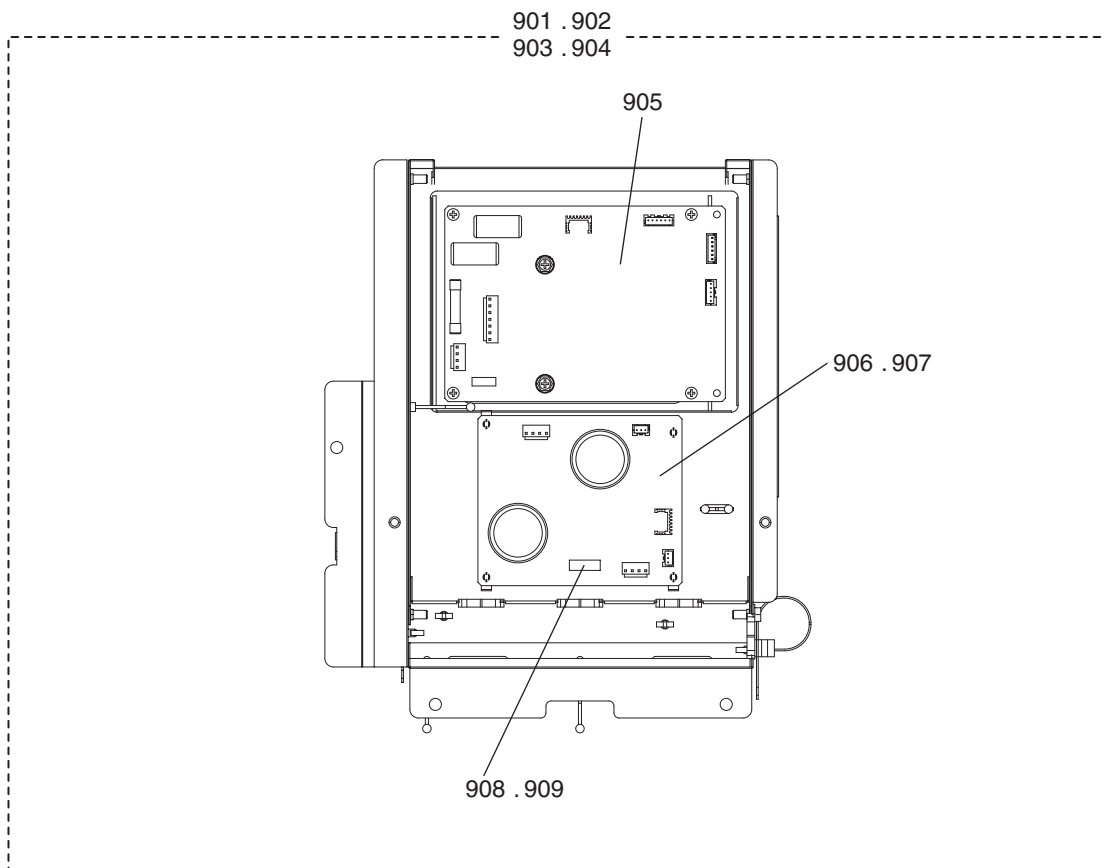
No.	Part No.	G : RoHS Apply Only W : RoHS Apply by Running Change	Part Name	Spec.	PURY-EP300YLM-A1	PURY-EP350YLM-A1-BS	PURY-EP400YLM-A1	PURY-EP450YLM-A1-BS	PURY-EP400YLM-A1	PURY-EP450YLM-A1-BS	Dwg. No.	Notes for the models	Revision info.
701	R61 662 305	G	Control box	R-EP200							KE80G095G75		
702	R61 663 305	G	Control box	R-EP200 BS							KE80G095G76		
703	R61 664 305	G	Control box	R-EP250							KE80G095G77		
704	R61 665 305	G	Control box	R-EP250 BS							KE80G095G78		
705	R61 666 305	G	Control box	R-EP300							KE80G095G79		
706	R61 667 305	G	Control box	R-EP300 BS							KE80G095G80		
707	R61 668 305	G	Control box	R-EP350	1						KE80G095G81		
708	R61 669 305	G	Control box	R-EP350 BS		1					KE80G095G82		
709	R61 670 305	G	Control box	R-EP400			1		1		KE80G095G83		
710	R61 671 305	G	Control box	R-EP400 BS				1		1	KE80G095G84		
711	R61 308 280	G	Control board		1	1	1	1	1	1	KE80C836G05	<MAIN09>	
712	R61 299 280	G	INV board								KE80C154G15	<INV20Y>	
713	R61 302 280	G	INV board		1	1					KE80C154G16	<INV20Y>	
714	R61 303 280	G	INV board				1	1	1	1	KE80C154G17	<INV20Y>	
715	R61 304 280	G	Fan board		1	1	1	1	1	1	W652171G18	<INV/S12Y>	
716	R63 187 280	G	M-NET board		1	1	1	1	1	1	KE80C055G06	<PS-MNET-Y>	
717	R61 028 293	G	Noise filter	board,coil,plate	1	1	1	1	1	1	KE80C727G03		
718	R61 007 246	G	Terminal block		1	1	1	1	1	1	S436005H12	<TB1>	
719	R61 017 259	G	Reactor								P715458X01	<DCL>	
720	R61 027 259	G	Reactor								P715476X02	<DCL>	
721	R61 028 259	G	Reactor								P715475X02	<DCL>	
722	R61 012 259	G	Reactor		1	1	1	1	1	1	P715441X02	<DCL>	
723	R61 003 216	G	Relay		1	1	1	1	1	1	P421295X01	<72C>	
724	R61 001 234	G	Resistor		2	2	2	2	2	2	P411151X01	<R1,R5>	
725	R61 001 255	G	Capacitor assy		1	1	1	1	1	1	KE00D263G01	<C100>	
726	R61 018 239	G	Fuse	3.15A AC250V T	1	1	1	1	1	1	YE81D827H02		
727	R61 006 239	G	Fuse	6.3A AC250V T	1	1	1	1	1	1	S423001H42		



No.	Part No.	G : RoHS Apply Only W : RoHS Apply by Running Change		Spec.	PURY-EP500YLM-A1	PURY-EP500YLM-A1-BS						Dwg. No.	Notes for the models	Revision info.
			Part Name											
801	R61 672 305	G	Control box	R-EP500	1							KE80C890G17		
802	R61 673 305	G	Control box	R-EP500 BS		1						KE80C890G18		
803	R61 308 280	G	Control board		1	1						KE80C836G05	<MAIN09>	
804	R61 305 280	G	INV board		1	1						KE80C988G01	<INV30YC>	
805	R61 304 280	G	Fan board		1	1						W652171G18	<INV/S12Y>	
806	R61 306 280	G	Capacitor board		1	1						KE80G001G01		
807	R63 187 280	G	M-NET board		1	1						KE80C055G06	<PS-MNET-Y>	
808	R61 033 293	G	Noise filter	board,coil,plate	1	1						KE80C892G02		
809	R61 007 246	G	Terminal block		1	1						S436005H12	<TB1>	
810	R61 044 259	G	Reactor		1	1						KE80C893G03	<DCL>	
811	R61 018 239	G	Fuse	3.15A AC250V T	1	1						YE81D827H02		
812	R61 006 239	G	Fuse	6.3A AC250V T	3	3						S423001H42		

PURY-EP400YLM-A1(-BS)  
PURY-EP450YLM-A1(-BS)  
PURY-EP500YLM-A1(-BS)

## FAN BOX PARTS



**PURY-EP400YLM-A1(-BS)**  
**PURY-EP450YLM-A1(-BS)**  
**PURY-EP500YLM-A1(-BS)**

**FAN BOX PARTS**

No.	Part No.	G : RoHS Apply Only W : RoHS Apply by Running Change	Part Name	Spec.	PURY-EP400YLM-A1	PURY-EP450YLM-A1	PURY-EP450YLM-A1-BS	PURY-EP500YLM-A1	PURY-EP500YLM-A1-BS	Dwg. No.	Notes for the models	Revision info.	
901	R61 580 305	G	Fan box		1		1			KE80C721G11			
902	R61 581 305	G	Fan box			1		1		KE80C721G12			
903	R61 582 305	G	Fan box						1	KE80C721G13			
904	R61 583 305	G	Fan box						1	KE80C721G14			
905	R61 304 280	G	Fan board		1	1	1	1	1	1	W652171G18	<INV/S12Y>	
906	R63 194 280	G	Connect board		1	1	1	1			KE80C725G02	<CONNECT01>	
907	R61 307 280	G	Connect board						1	1	KE80C725G03	<CONNECT01YC>	
908	R12 001 964	G	Fuse	4A DC700V T	1	1	1	1			S423001H40		
909	R61 016 239	G	Fuse	10A AC/DC400V T					1	1	S423001H36		

**mitsubishi**  
**electric**  
**corporation**

---

BWE015060 (20150430)