

PARTS CATALOG R410A

<Outdoor unit>
[Model Name]

PUMY-P200YKM1

[Service Ref.]

PUMY-P200YKM1

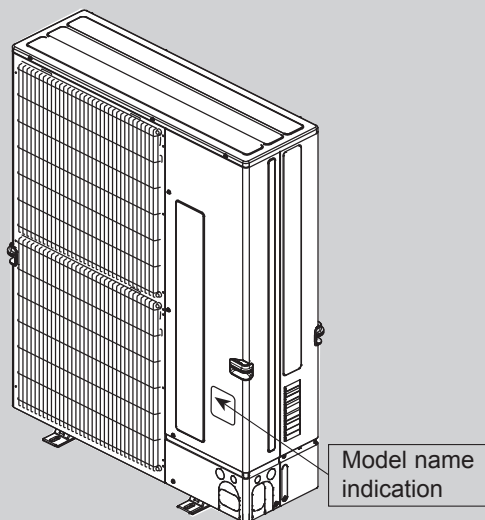
Note:

- RoHS compliant products have <G> mark on the spec name plate.

Salt proof model

PUMY-P200YKM1-BS

PUMY-P200YKM1-BS



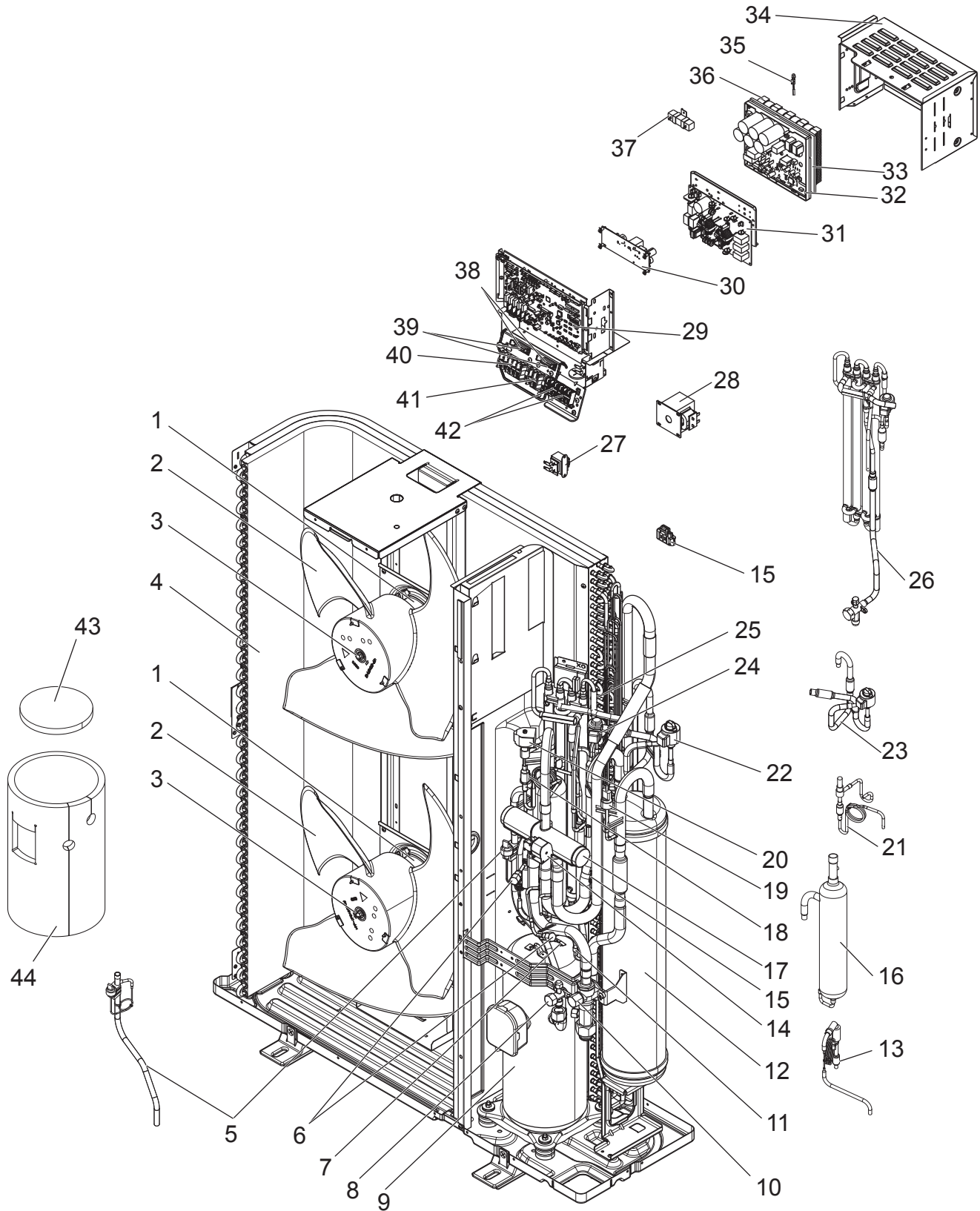
OUTDOOR UNIT

CONTENTS

1. RoHS PARTS LIST 2

SERVICE MANUAL (OCH634)

FUNCTIONAL AND ELECTRICAL PARTS
 PUMY-P200YKM1 PUMY-P200YKM1-BS



RoHS PARTS LIST

Parts numbers with circle are not shown in the figure.

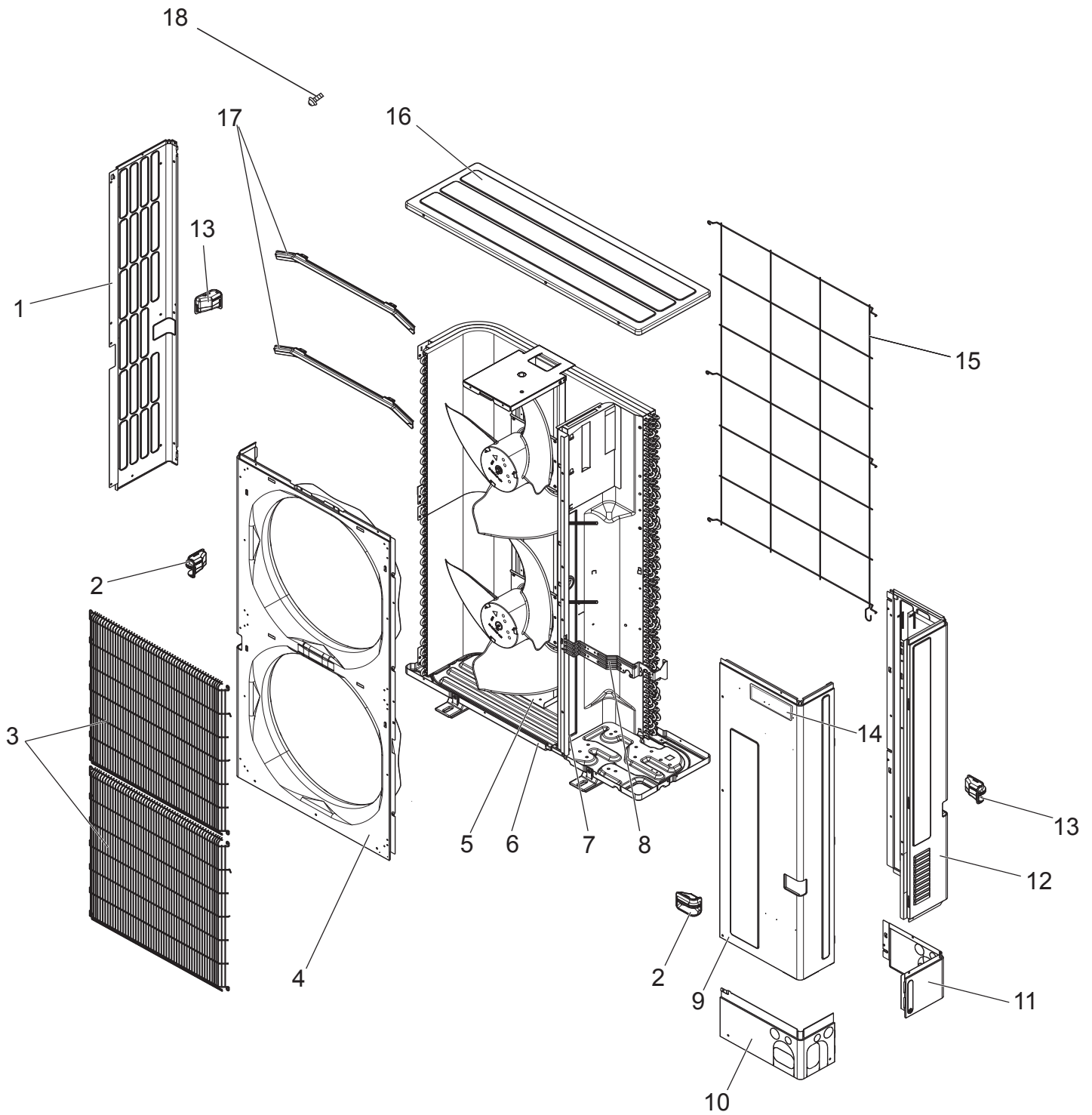
No.	RoHS	Parts No.	Parts Name	Specification	Q'ty/unit		Remarks (Drawing No.)	Wiring Diagram Symbol
					PUMY-P200YKM1	PUMY-P200YKM1-BS		
1	G	R01 E79 221	FAN MOTOR		2	2		MF1,2
2	G	R01 E14 115	PROPELLER FAN		2	2		
3	G	R01 E09 097	NUT		2	2		
4	G	T7W E82 408	HEAT EXCHANGER		1	1		
5	G	T7W E12 208	HIGH PRESSURE SENSOR ASSY		1	1		63HS
6	G	R01 E24 413	CHARGE PLUG		2	2		
7	G	R01 E36 201	THERMISTOR	Compressor	1	1		TH4
8	G	R01 E25 410	STOP VALVE	3/8	1	1		
9	G	T97 445 077	COMPRESSOR	ANB52FRMMT	1	1	Including RUBBER MOUNT	MC
10	G	R01 E15 411	BALL VALVE	3/4	1	1		
11	G	R01 H97 202	THERMISTOR	HIC Pipe	1	1		TH2
12	G	R01 E67 440	ACCUMULATOR		1	1		
13	G	T7W A03 426	CT ASSY	$\phi 2.5 \times \phi 0.8 \times L800$	1	1		
14	G	T7W E84 242	SOLENOID COIL		1	1		21S4
15	G	R01 M04 202	THERMISTOR	Suction Pipe, Ambient	1	1		TH6,7
16	G	R01 E14 490	OIL SEPARATOR		1	1		
17	G	R01 E38 403	4-WAY VALVE		1	1		
18	G	R01 E06 208	HIGH PRESSURE SWITCH	4.14 MPa	1	1		63H
19	G	R01 E04 209	LOW PRESSURE SENSOR		1	1		63LS
20	G	T7W E85 242	SOLENOID COIL		1	1		SV1
21	G	T7W A01 426	SV-CT ASSY	$\phi 4.0 \times \phi 3.0 \times L500$	1	1	Including SOLENOID VALVE and CAPILLARY TUBE	
22	G	R01 H27 242	LEV COIL	UKV type	1	1	WHITE	LEV-A
23	G	T7W E61 401	LEV-A ASSY		1	1	Including LEV-A COIL	
24	G	R01 H28 242	LEV COIL	CAM type	1	1	RED	LEV-B
25	G	T7W E73 202	THERMISTOR	Outdoor Liquid Pipe	1	1		TH3
26	G	T7W E62 401	LEV ASSY HIC		1	1	Including LEV-B COIL and STOP VALVE	
27	G	T7W E16 259	REACTOR		1	1		ACL4
28	G	T7W E13 259	REACTOR		1	1		DCL
29	G	T7W GG3 315	MULTI CONTROLLER CIRCUIT BOARD		1	1		MULTI B.
30	G	R01 E06 311	M-NET POWER CIRCUIT BOARD		1	1		M-NET P.B.
31	G	T7W E34 346	NOISE FILTER CIRCUIT BOARD		1	1		N.F.
32	G	T7W B20 323	POWER CIRCUIT BOARD		1	1		P.B.
33	G	—	POWER BOARD GUARD		1	1	BK25J690G02	
34	G	—	ELECTRICAL PARTS BOX		1	1	BK00V579G07	
35	G	R01 M16 202	THERMISTOR	Heat sink	1	1		TH8
36	G	T7W A05 371	HEAT SINK		1	1		
37	G	R01 E10 233	RESISTOR		1	1		RS
38	G	R01 E20 239	FUSE	20A 250V	2	2		FUSE1, FUSE2
39	G	R01 30L 241	FUSE HOLDER		2	2		
40	G	T7W E30 716	TERMINAL BLOCK	5P (L1,L2,L3, N, \ominus)	1	1		TB1
41	G	T7W E57 716	TERMINAL BLOCK	2P (B1, B2)	1	1		TB1B
42	G	R01 E27 246	TERMINAL BLOCK	3P (M1, M2, S)	2	2		TB3,TB7
43	G	R01 A57 602	COMP FELT(TOP)		1	1		
44	G	R01 A71 602	COMP FELT(BODY)		1	1		
④5	G	R01 E14 239	FUSE	6.3A 250V	2	2		F1, F2
④6	G	T7W A08 510	LEAD ASSY COMP		1	1		

RoHS PARTS LIST

STRUCTURAL PARTS

PUMY-P200YKM1

PUMY-P200YKM1-BS



RoHS PARTS LIST

No.	RoHS	Parts No.	Parts Name	Specification	Q'ty/unit		Remarks (Drawing No.)
					PUMY-P200YKM1	PUMY-P200YKM1-BS	
1	G	R01 E30 662	SIDE PANEL (L)		1	1	
2	G	R01 E05 655	HANDLE (FRONT)		2	2	
3	G	R01 E73 691	WIRE GRILLE		2	2	
4	G	R01 E23 668	FRONT PANEL		1	1	
5	G	R01 E60 130	MOTOR SUPPORT		1	1	
6	G	R01 E53 686	BASE ASSY		1	1	
7	G	—	SEPARATOR ASSY		1	1	BK00B817GQ2
8	G	—	VALVE BED		1	1	BK00C375G37
9	G	T7W E21 667	SERVICE PANEL		1	1	
10	G	R01 E41 658	COVER PANEL (FRONT)		1	1	
11	G	R01 E42 658	COVER PANEL (REAR)		1	1	
12	G	R01 E65 661	SIDE PANEL (R)		1	1	
13	G	R01 E06 655	HANDLE (REAR)		2	2	
14	G	R01 A06 005	BRAND LABEL (CITY MULTI)		1	1	
15	G	R01 E10 698	REAR GUARD		1	1	
16	G	R01 E36 641	TOP PANEL		1	1	
17	G	R01 E02 631	ICE GUARD		2	2	
18	G	—	F.ST SCREW	(5x12)	38	38	DG12F536H12

CITY MULTI

mitsubishi electric corporation

HEAD OFFICE : TOKYO BUILDING, 2-7-3, MARUNOUCHI, CHIYODA-KU, TOKYO 100-8310, JAPAN
