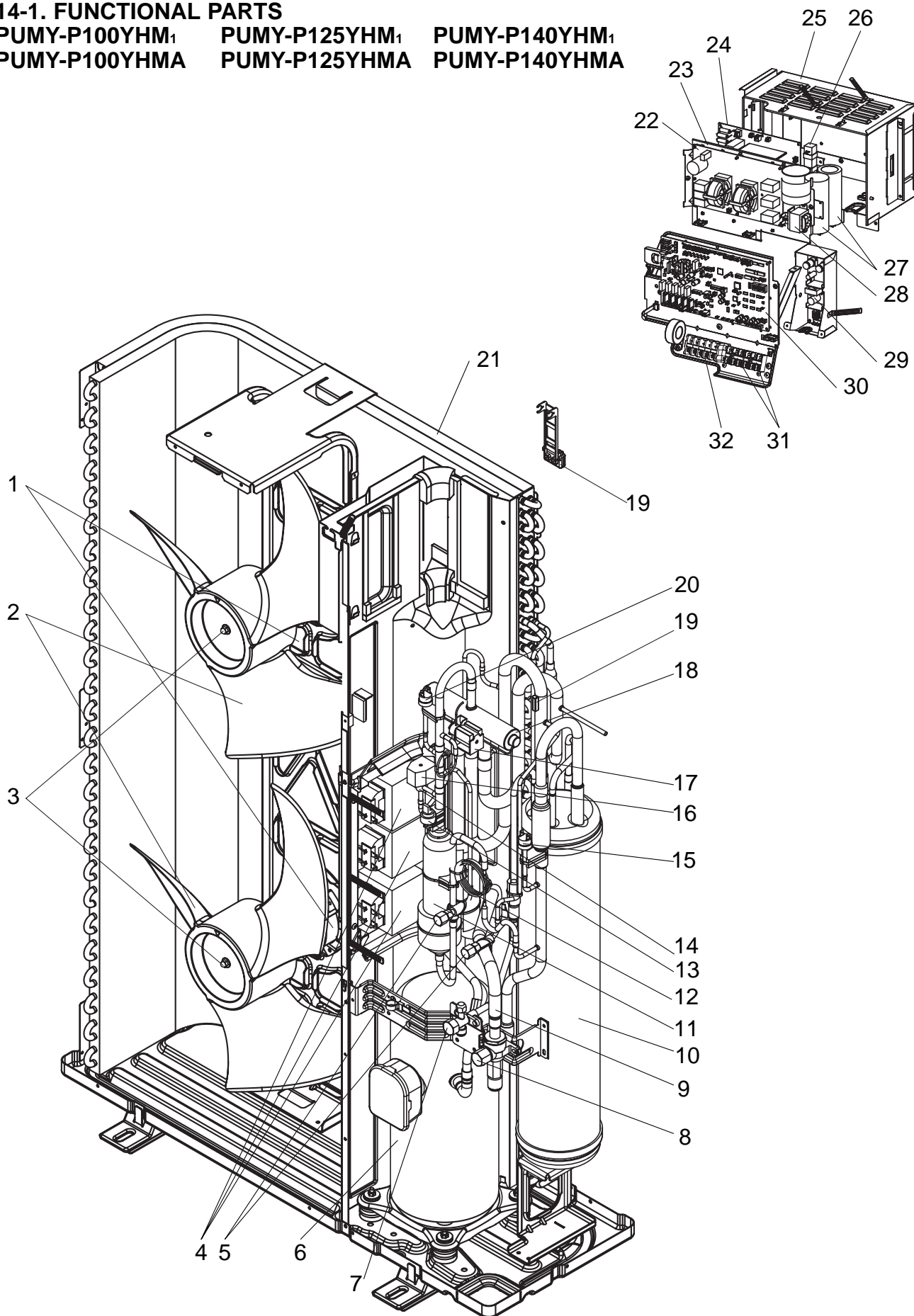


14-1. FUNCTIONAL PARTS

PUMY-P100YHM₁ PUMY-P125YHM₁ PUMY-P140YHM₁
 PUMY-P100YHMA PUMY-P125YHMA PUMY-P140YHMA

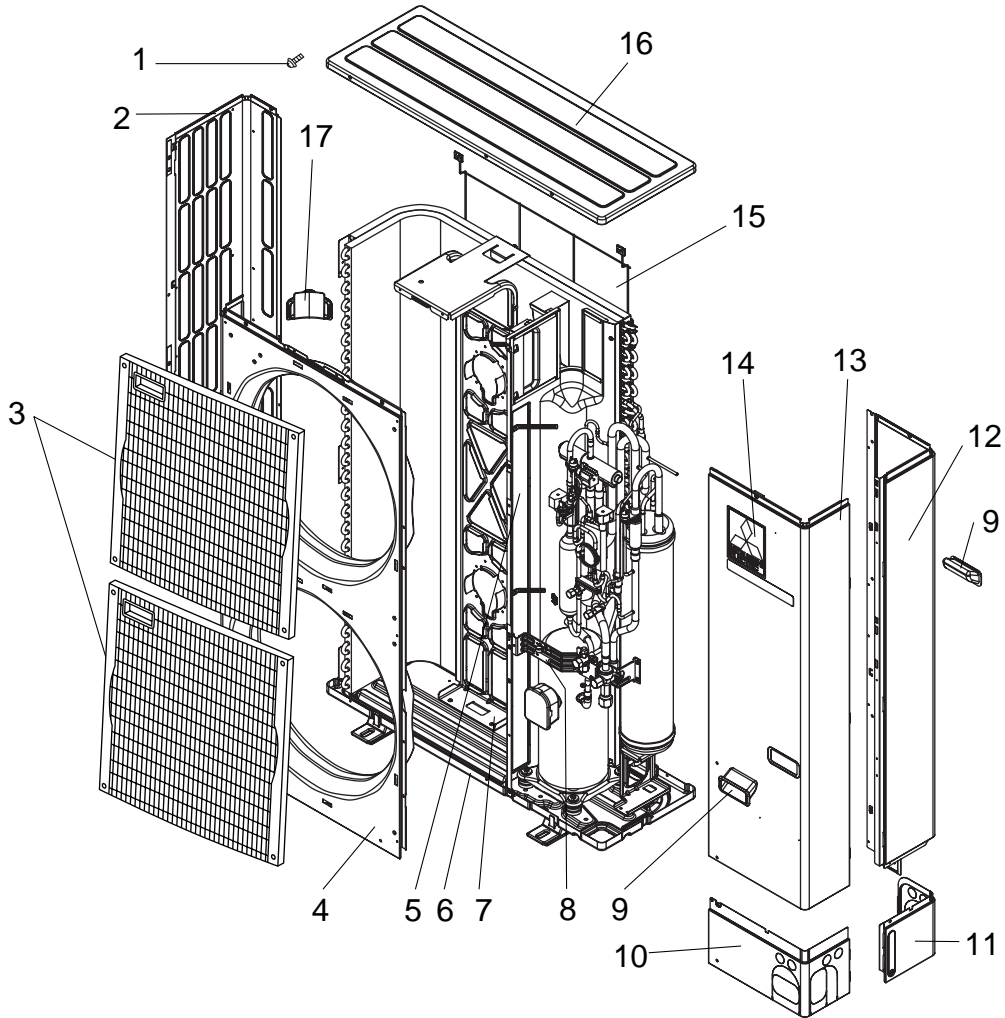


Part numbers that are circled are not shown in the figure.

No.	ROHS	Part No.			Part Name	Specification	Q'ty/set		Remarks (Drawing No.)	Wiring Diagram Symbol	Recom- mended Q'ty
							PUMY-P100/125/140				
							YHM1	YHMA			
1	G	R01	E44	221	FAN MOTOR		2			MF1,2	
	G	T7W	E27	763	FAN MOTOR			2		MF1,2	
2	G	R01	E08	115	PROPELLER FAN		2	2			
3	G	R01	E09	097	NUT		2	2			
4	G	T7W	E12	259	REACTOR		3	3		ACL1,2,3	
5	G	R01	E14	413	CHARGE PLUG		2	2			
6	G	T97	415	747	COMPRESSOR	ANB33FDEMT	1		Including RUBBER MOUNTS	MC	
	G	T97	415	754	COMPRESSOR	ANB33FDKMT		1		MC	
7	G	R01	E13	410	STOP VALVE	3/8	1	1			
8	G	R01	E11	411	BALL VALVE	5/8	1	1			
9	G	R01	E06	450	STRAINER		1	1			
10	G	R01	E44	440	ACCUMULATOR		1	1			
11	G	R01	E12	490	OIL SEPARATOR		1	1			
12	G	R01	E26	425	CAPILLARY TUBE		1	1	$\phi 2.5 \times \phi 0.8 \times 1000$		
13	G	R01	E07	208	H.P SENSOR		1	1		63HS	
14	G	R01	E14	428	BYPASS VALVE		1	1			
15	G	R01	E00	209	LOW PRESSURE SWITCH		1	1		63L	
16	G	T7W	E32	242	SOLENOID VALVE COIL <BYPASS VALVE>		1			SV1	
	G	R01	E58	242	SOLENOID VALVE COIL <BYPASS VALVE>			1		SV1	
17	G	T7W	E28	242	SOLENOID COIL <FOUR-WAY VALVE>		1			21S4	
	G	R01	E57	242	SOLENOID COIL <FOUR-WAY VALVE>			1		21S4	
18	G	R01	E26	403	FOUR-WAY VALVE		1				
	G	R01	E32	403	FOUR-WAY VALVE			1			
19	G	R01	E94	202	THERMISTOR		1	1		TH6,7	
20	G	R01	E06	208	HIGH PRESSURE SWITCH		1	1		63H	
21	G	T7W	E39	408	HEAT EXCHANGER		1	1			
22	G	T7W	E23	346	NOISE FILTER CIRCUIT BOARD		1	1		N.F.	
23	G	T7W	E54	310	CONVERTER CIRCUIT BOARD		1			CONV.B.	
	G	T7W	E63	310	CONVERTER CIRCUIT BOARD			1		CONV.B.	
24	G	T7W	E32	313	POWER CIRCUIT BOARD		1			P.B.	
	G	T7W	E42	313	POWER CIRCUIT BOARD			1		P.B.	
25	G		—		ELECTRICAL PARTS BOX		1	1	(BK00C410G08)		
26	G	R01	E10	233	RESISTOR		1	1		RS	
27	G	R01	E02	254	MAIN SMOOTHING CAPACITOR		2			CB1, CB2	
	G	T7W	E21	255	MAIN SMOOTHING CAPACITOR			2		CB1, CB2	
28	G	T7W	E11	259	REACTOR		1			ACL4	
	G	R01	E31	259	REACTOR			1		ACL4	
29	G	R01	E02	311	TRANSMISSION POWER BOARD		1	1		M-P.B.	
30	G	R01	H76	310	MULTI CONTROLLER CIRCUIT BOARD		1			MULTI.B.	
	G	R01	N56	310	CONTROLLER CIRCUIT BOARD			1		C.B.	
31	G	T7W	E31	716	TERMINAL BLOCK	3P (M1, M2, S)	2			TB3, TB7	
	G	R01	E27	246	TERMINAL BLOCK	3P (M1, M2, S)		2		TB3, TB7	
32	G	T7W	E30	716	TERMINAL BLOCK	5P (L1,L2,L3,N,⊕)	1	1		TB1	
33	G	R01	E06	239	FUSE	250V 6.3A	2	2		F1,2	
34	G	R01	H00	202	THERMISTOR (OUTDOOR PIPE)		1	1		TH3	
35	G	T7W	E10	254	CAPACITOR		1	1		CK	
36	G	R01	E11	201	THERMISTOR (DISCHARGE)		1	1		TH4	

14-2. STRUCTURAL PARTS

PUMY-P100YHM₁ PUMY-P125YHM₁ PUMY-P140YHM₁
 PUMY-P100YHMA PUMY-P125YHMA PUMY-P140YHMA



No.	RoHS	Part No.	Part Name	Specification	Q'ty/set		Remarks (Drawing No.)	Wiring Diagram Symbol	Recom- mended Q'ty
					PUMY-P100/125/140 YHM ₁ /YHMA				
1	G	-	F.ST SCREW	(5X10)		38	(DG12F536H10)		
2	G	T7W E03 662	SIDE PANEL (L)			1			
3	G	T7W E03 691	FAN GRILLE			2			
4	G	T7W E06 667	FRONT PANEL			1			
5	G	-	SEPARATOR			1	(BK00C409G08)		
6	G	R01 E31 686	BASE ASSY			1			
7	G	R01 E27 130	MOTOR SUPPORT			1			
8	G	-	VALVE BED ASSY			1	(BK00C142G15)		
9	G	R01 E01 655	HANDLE			2			
10	G	R01 E13 658	COVER PANEL (FRONT)			1			
11	G	R01 E11 658	COVER PANEL (REAR)			1			
12	G	R01 E32 661	SIDE PANEL (R)			1			
13	G	T7W E09 668	SERVICE PANEL			1			
14	G	-	LABEL (MITSUBISHI)			1	(DG79R130H01)		
15	G	R01 E07 698	REAR GUARD			1			
16	G	R01 E15 641	TOP PANEL			1			
17	G	R01 E02 655	HANDLE			1			

DRAIN SOCKET

Part No.	PAC-SG61DS-E
----------	--------------

AIR OUTLET GUIDE

Part No.	PAC-SG59SG-E
----------	--------------

* Need 2 pieces.

AIR GUIDE

Part No.	PAC-SH63AG-E
----------	--------------

* Need 2 pieces.

DRAIN PAN

Part No.	PAC-SG64DP-E
----------	--------------

FILTER DRYER (For liquid line : $\phi 9.52$)

Part No.	PAC-SG82DR-E
----------	--------------

* Only for R410A model (Don't use for R22 model.)

BRANCH PIPE (Joint)

Part No.	NUMBER OF BRANCHING POINTS
CMY-Y62-G-E	2
CMY-Y64-G-E	4
CMY-Y68-G-E	8