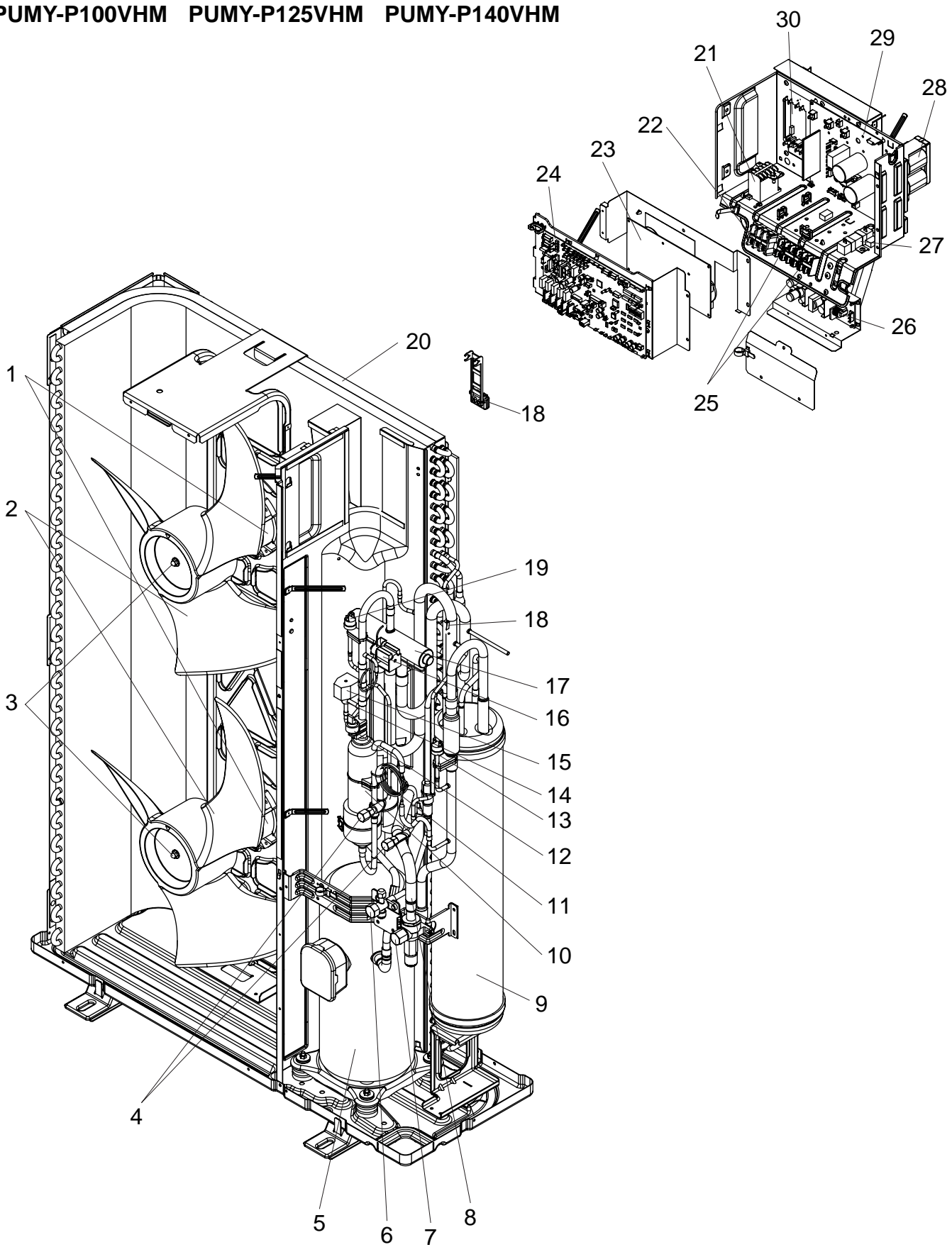


14-1. FUNCTIONAL PARTS  
PUMY-P100VHM PUMY-P125VHM PUMY-P140VHM

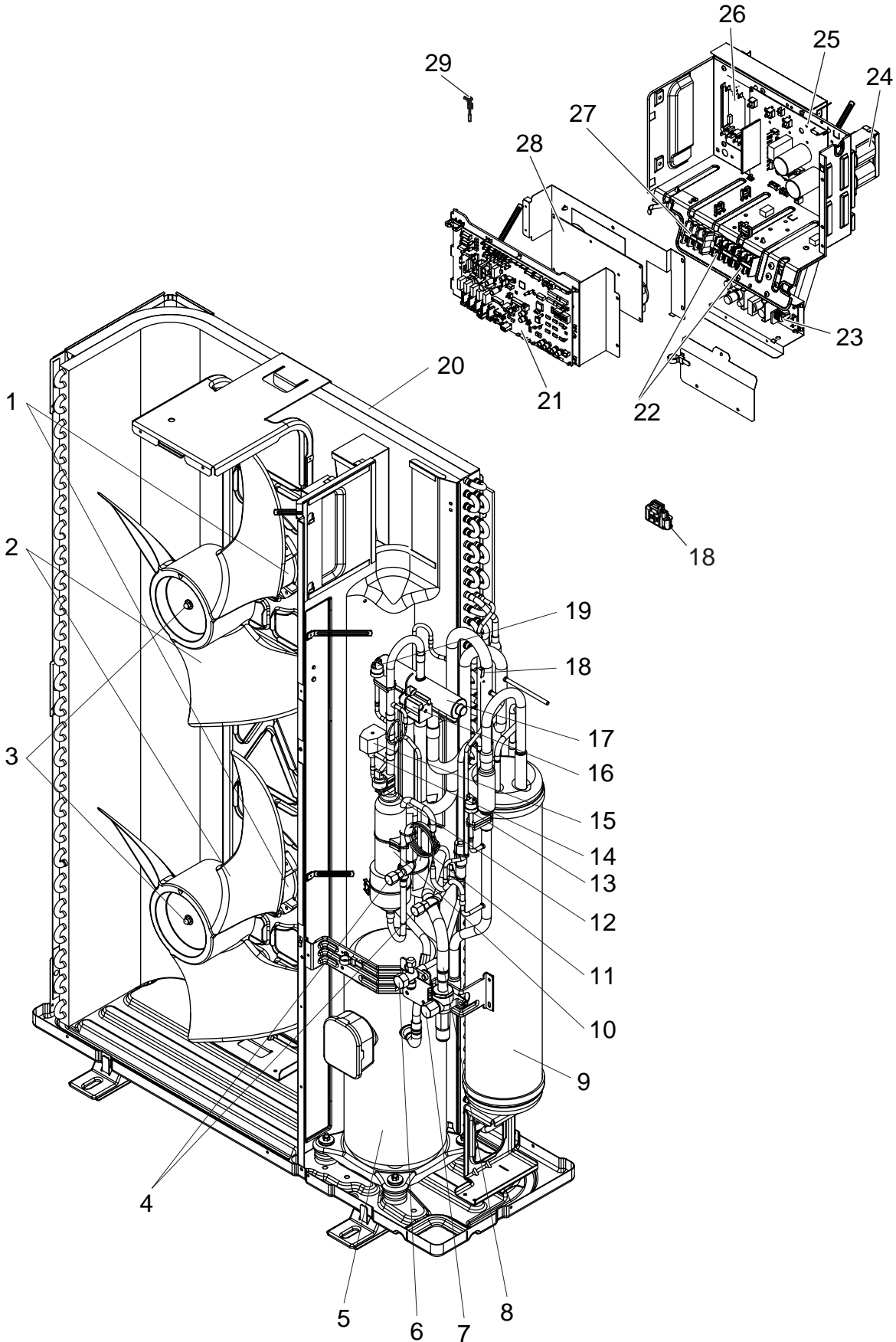




Part numbers that are circled are not shown in the figure.

No.	RoHS	Part No.	Part Name	Specification	Q'ty/set	Remarks (Drawing No.)	Wiring Diagram Symbol	Recom- mended Q'ty
					PUMY- P100, 125, 140VHM			
1	G	R01 E44 221	FAN MOTOR		2		MF1,2	
2	G	R01 E08 115	PROPELLER FAN		2			
3	G	R01 E09 097	NUT		2			
4	G	R01 E14 413	CHARGE PLUG		2			
5	G	T97 415 742	COMPRESSOR	ANB33FDCMT Including RUBBER MOUNT	1		MC	
6	G	R01 E13 410	STOP VALVE	3/8	1			
7	G	R01 E11 411	BALL VALVE	5/8	1			
8	G	R01 E06 450	STRAINER		1			
9	G	R01 E44 440	ACCUMULATOR		1			
10	G	R01 E12 490	OIL SEPARATOR		1			
11	G	R01 E26 425	CAPILLARY TUBE	$\phi 2.5 \times \phi 0.8 \times 1000\text{mm}$	1			
12	G	R01 E07 208	H.P SENSOR		1		63HS	
13	G	R01 E00 209	LOW PRESSURE SWITCH		1		63L	
14	G	R01 E14 428	BYPASS VALVE		1			
15	G	T7W E32 242	SOLENOID VALVE COIL <BYPASS VALVE>		1		SV1	
16	G	T7W E25 242	SOLENOID COIL <FOUR-WAY VALVE>		1		21S4	
17	G	R01 E26 403	FOUR-WAY VALVE		1			
18	G	R01 H01 202	THERMISTOR		1		TH6,7	
19	G	R01 E06 208	HIGH PRESSURE SWITCH		1		63H	
20	G	T7W E39 408	HEAT EXCHANGER		1			
21	G	T7W E10 259	CONTACTOR		1		52C	
22	G	T7W A15 716	TERMINAL BLOCK	3P (L,N, ⊕)	1		TB1	
23	G	T7W E16 346	NOISE FILTER CIRCUIT BOARD		1		N.F.	
24	G	R01 N21 310	MULTI CONTROLLER CIRCUIT BOARD		1		MULTI.B.	
25	G	T7W E31 716	TERMINAL BLOCK	3P (M1, M2, S)	2		TB3, TB7	
26	G	R01 E02 311	TRANSMISSION POWER BOARD		1		M-P.B.	
27	G	R01 E00 234	RESISTOR		1		RS	
28	G	R01 E20 259	REACTOR		1		DCL	
29	G	T7W E31 313	POWER CIRCUIT BOARD		1		P.B.	
30	G	T7W E01 233	ACT MODULE		1		ACTM	
31	G	R01 E20 254	MAIN SMOOTHING CAPACITOR		1		CB	
32	G	R01 H00 202	THERMISTOR (OUTDOOR PIPE)		1		TH3	
33	G	R01 E12 201	THERMISTOR (DISCHARGE)		1		TH4	
34	G	R01 E99 202	THERMISTOR (HEATSINK)		1		TH8	
35	G	R01 E06 239	FUSE	250V 6.3A	2		F1, 2	

**FUNCTIONAL PARTS**  
**PUMY-P100VHMA PUMY-P125VHMA PUMY-P140VHMA**





Part numbers that are circled are not shown in the figure.

No.	RoHS	Part No.	Part Name	Specification	Q'ty/set	Remarks (Drawing No.)	Wining Diagram Symbol	Recom- mended Q'ty
					PUMY- P100, 125, 140VHMA			
1	G	T7W E27 763	FAN MOTOR		2		MF1,2	
2	G	R01 E08 115	PROPELLER FAN		2			
3	G	R01 E09 097	NUT		2			
4	G	R01 E14 413	CHARGE PLUG		2			
5	G	T97 415 755	COMPRESSOR	ANB33FDHMT Including RUBBER MOUNT	1		MC	
6	G	R01 E13 410	STOP VALVE	3/8	1			
7	G	R01 E11 411	BALL VALVE	5/8	1			
8	G	R01 E06 450	STRAINER		1			
9	G	R01 E44 440	ACCUMULATOR		1			
10	G	R01 E12 490	OIL SEPARATOR		1			
11	G	R01 E26 425	CAPILLARY TUBE	$\phi 2.5 \times \phi 0.8 \times 1000\text{mm}$	1			
12	G	R01 E07 208	H.P SENSOR		1		63HS	
13	G	R01 E00 209	LOW PRESSURE SWITCH		1		63L	
14	G	R01 E14 428	BYPASS VALVE		1			
15	G	R01 E57 242	SOLENOID COIL <BYPASS VALVE>		1		SV1	
16	G	T7W E25 242	SOLENOID COIL <4-WAY VALVE>		1		21S4	
17	G	R01 E32 403	4-WAY VALVE		1			
18	G	R01 H01 202	THERMISTOR		1		TH6,7	
19	G	R01 E06 208	HIGH PRESSURE SWITCH		1		63H	
20	G	T7W E39 408	HEAT EXCHANGER		1			
21	G	R01 N56 310	CONTROLLER CIRCUIT BOARD		1		C.B.	
22	G	R01 E27 246	TERMINAL BLOCK	3P (M1, M2, S)	2		TB3, TB7	
23	G	R01 E02 311	M-POWER BOARD		1		M-NET.P.B.	
24	G	R01 E20 259	REACTOR		1		DCL	
25	G	R01 E65 313	POWER CIRCUIT BOARD		1		P.B.	
26	G	R01 E07 233	ACT MODULE		1		ACTM	
27	G	T7W A15 716	TERMINAL BLOCK	3P (L, N, $\oplus$ )	1		TB1	
28	G	T7W E22 346	NOISE FILTER CIRCUIT BOARD		1		N.F.	
29	G	R01 E99 202	THERMISTOR (HEATSINK)		1		TH8	
30	G	R01 E22 255	MAIN SMOOTHING CAPACITOR		1		CE	
31	G	R01 H00 202	THERMISTOR (OUTDOOR PIPE)		1		TH3	
32	G	R01 E12 201	THERMISTOR (DISCHARGE)		1		TH4	
33	G	R01 E06 239	FUSE	250V, 6.3A	2		F1, 2	

## 14-2. STRUCTURAL PARTS

PUMY-P100VHM

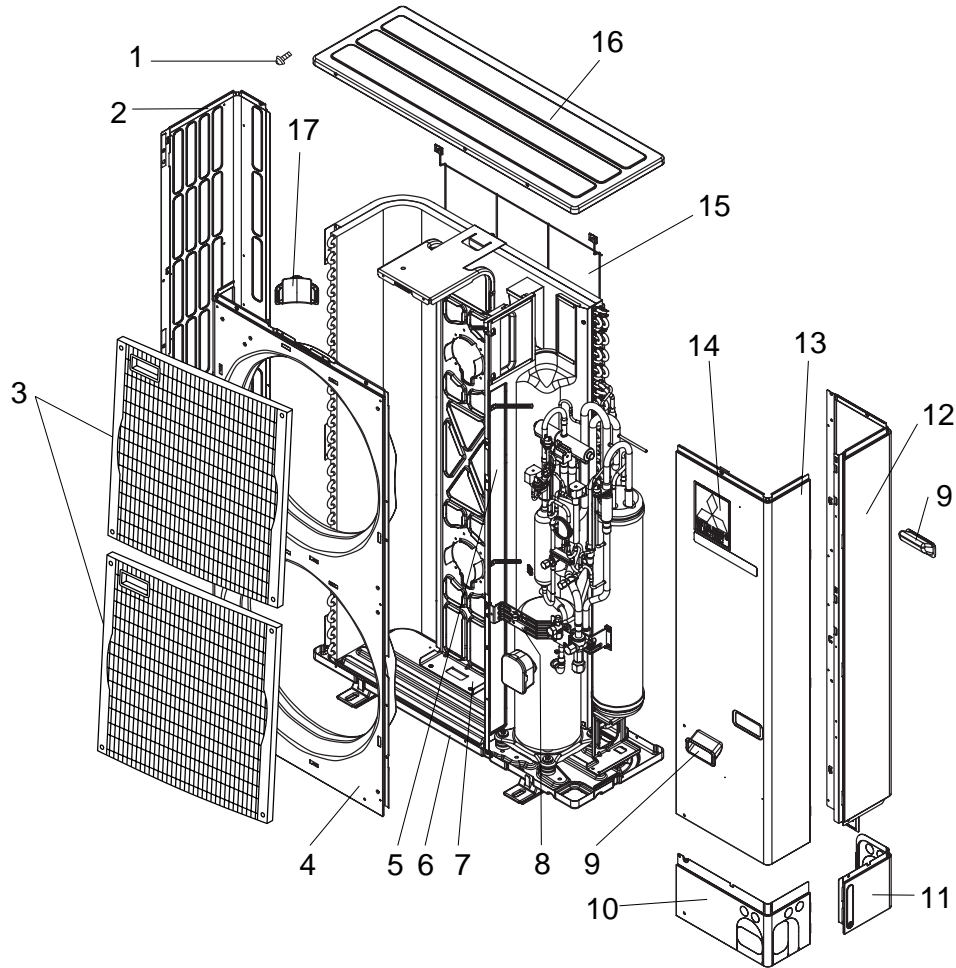
PUMY-P125VHM

PUMY-P140VHM

PUMY-P100VHMA

PUMY-P125VHMA

PUMY-P140VHMA



No.	RoHS	Part No.	Part Name	Specification	Q'ty/set	Remarks (Drawing No.)	Wiring Diagram Symbol	Recom- mended Q'ty
					PUMY-P100,125,140VHM PUMY-P100,125,140VHMA			
1	G	-	F.ST SCREW	(5X10)	38	(DG12F536H10)		
2	G	T7W E03 662	SIDE PANEL (L)		1			
3	G	T7W E03 691	FAN GRILLE		2			
4	G	T7W E06 667	FRONT PANEL		1			
5	G	-	SEPARATOR		1	(BK00C143G99)		
6	G	R01 E31 686	BASE ASSY		1			
7	G	R01 E27 130	MOTOR SUPPORT		1			
8	G	-	VALVE BED ASSY		1	(BK00C142G15)		
9	G	R01 E01 655	HANDLE		2			
10	G	R01 E13 658	COVER PANEL (FRONT)		1			
11	G	R01 E11 658	COVER PANEL (REAR)		1			
12	G	R01 E32 661	SIDE PANEL (R)		1			
13	G	T7W E08 668	SERVICE PANEL		1			
14	G	-	LABEL (MITSUBISHI)		1	(DG79R130H01)		
15	G	R01 E07 698	REAR GUARD		1			
16	G	R01 E14 641	TOP PANEL		1			
17	G	R01 E02 655	HANDLE		1			

**DRAIN SOCKET**

Part No.	PAC-SG61DS-E
----------	--------------

**AIR OUTLET GUIDE**

Part No.	PAC-SG59SG-E
----------	--------------

\* Need 2 pieces.

**AIR GUIDE**

Part No.	PAC-SH63AG-E
----------	--------------

\* Need 2 pieces.

**DRAIN PAN**

Part No.	PAC-SG64DP-E
----------	--------------

**FILTER DRYER (For liquid line :  $\phi 9.52$ )**

Part No.	PAC-SG82DR-E
----------	--------------

\* Only for R410A model (Don't use for R22 model.)

**BRANCH PIPE (Joint)**

Part No.	NUMBER OF BRANCHING POINTS
CMY-Y62-G-E	2
CMY-Y64-G-E	4
CMY-Y68-G-E	8