

12

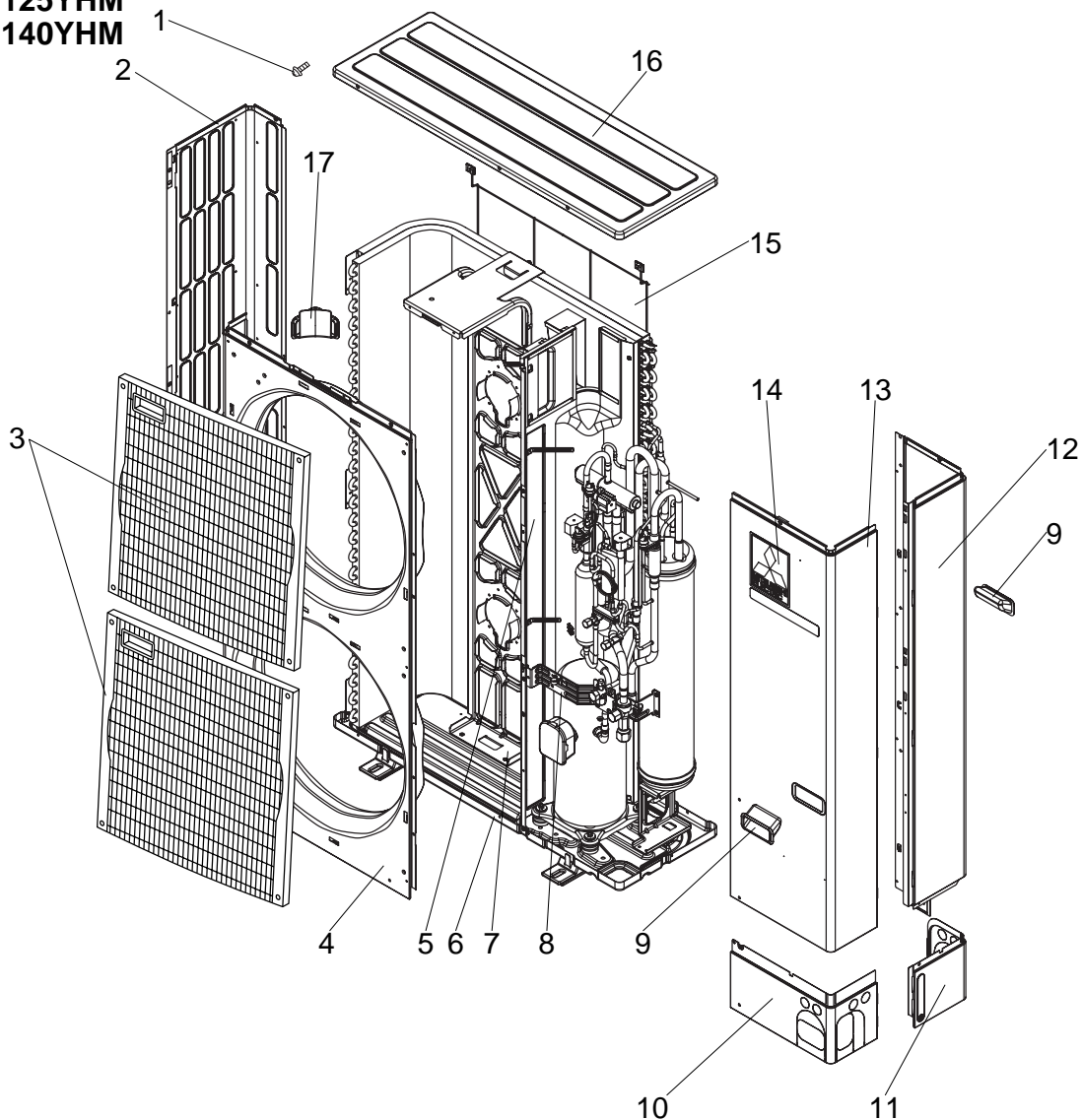
PARTS LIST

12-1. STRUCTURAL PARTS

PUMY-P100YHM

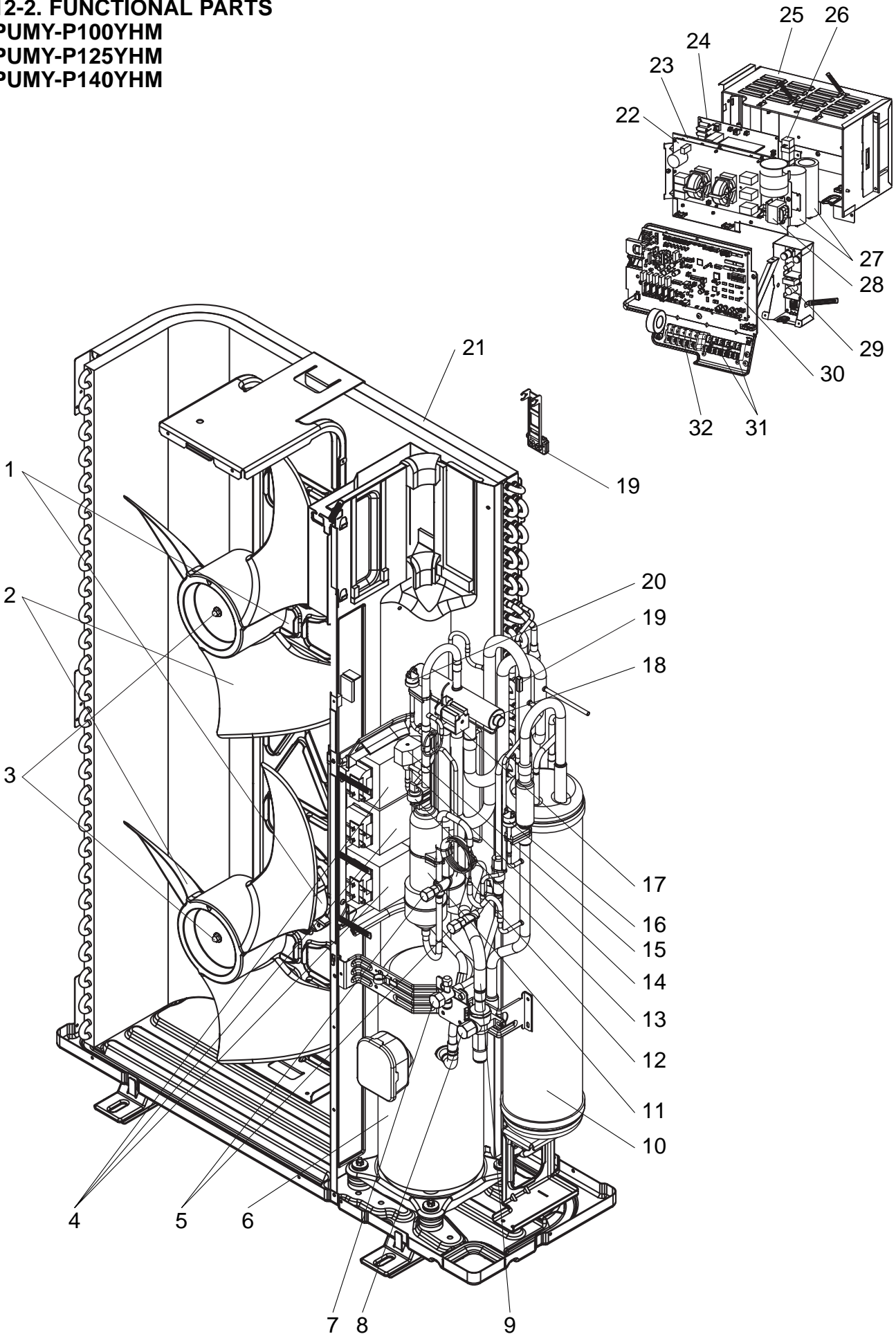
PUMY-P125YHM

PUMY-P140YHM



No.	Part No.	Part Name	Specification	Q'ty/set	Remarks (Drawing No.)	Wiring Diagram Symbol	Recom- mended Q'ty	Price	
				PUMY-P-YHM 100, 125, 140				Unit	Amount
1	-	F.ST SCREW	(5X10)	38	(DG12F536H10)				
2	R01 E02 662	SIDE PANEL (L)		1					
3	T7W E02 691	FAN GRILLE		2					
4	T7W E02 667	FRONT PANEL		1					
5	-	SEPARATOR		1	(BK00C409G04)				
6	R01 E14 686	BASE ASSY		1					
7	T7W E05 130	MOTOR SUPPORT		1					
8	-	VALVE BED ASSY		1	(BK00C142G15)				
9	R01 30L 655	HANDLE		2					
10	R01 E00 658	COVER PANEL (FRONT)		1					
11	R01 E01 658	COVER PANEL (REAR)		1					
12	T7W E12 661	SIDE PANEL (R)		1					
13	T7W E04 668	SERVICE PANEL		1					
14	-	LABEL (MITSUBISHI)		1	(DG79R130H01)				
15	R01 E01 698	REAR GUARD		1					
16	R01 E08 641	TOP PANEL		1					
17	R01 E00 655	HANDLE		1					

12-2. FUNCTIONAL PARTS
PUMY-P100YHM
PUMY-P125YHM
PUMY-P140YHM



Part numbers that are circled are not shown in the figure.

No.	Part No.	Part Name	Specification	Q'ty/set			Remarks (Drawing No.)	Wining Diagram Symbol	Recom- mended Q'ty	Price	
				PUMY-P						Unit	Amount
				100	125	140					
				YHM							
1	R01 E41 221	FAN MOTOR		2	2	2		MF1,2			
2	R01 E01 115	PROPELLER FAN		2	2	2					
3	R01 E02 097	NUT		2	2	2					
4	T7W E07 259	REACTOR		3	3	3		ACL1,2,3			
5	R01 E06 413	CHARGE PLUG		2	2	2					
6	T97 410 747	COMPRESSOR	ANB33FDEMT Including RUBBER MOUNT	1	1	1		MC			
7	R01 E09 410	STOP VALVE	3/8	1	1	1					
8	T7W E05 411	BALL VALVE	5/8	1	1	1					
9	R01 E03 450	STRAINER		1	1	1					
10	R01 E35 440	ACCUMULATOR		1	1	1					
11	T7W E01 490	OIL SEPARATOR		1	1	1					
12	T7W E22 425	CAPILLARY TUBE		1	1	1	$\phi 2.5 \times \phi 0.8 \times 1000$				
13	T7W E04 208	H.P SENSOR		1	1	1		63HS			
14	R01 E09 428	BYPASS VALVE		1	1	1					
15	T7W E08 242	SOLENOID VALVE COIL <BYPASS VALVE>		1	1	1		SV1			
16	R01 25T 209	LOW PRESSURE SWITCH		1	1	1		63L			
17	T7W A01 242	SOLENOID COIL <FOUR-WAY VALVE>		1	1	1		21S4			
18	R01 E24 403	FOUR-WAY VALVE		1	1	1					
19	T7W E43 202	THERMISTOR		1	1	1		TH6,7			
20	T7W E02 208	HIGH PRESSURE SWITCH		1	1	1		63H			
21	T7W E26 408	HEAT EXCHANGER		1	1	1					
22	T7W E08 346	NOISE FILTER CIRCUIT BOARD		1	1	1		N.F.			
23	T7W E39 310	CONVERTER CIRCUIT BOARD		1	1	1		CONV.B.			
24	T7W E13 313	POWER CIRCUIT BOARD		1	1	1		P.B.			
25	—	ELECTRICAL PARTS BOX		1	1	1	(BK00C410G06)				
26	R01 E08 233	RESISTOR		1	1	1		RS			
27	T7W E03 254	MAIN SMOOTHING CAPACITOR		2	2	2		CB1, CB2			
28	T7W E06 259	REACTOR		1	1	1		ACL4			
29	R01 E01 311	TRANSMISSION POWER BOARD		1	1	1		M-P.B.			
30	R01 H52 310	MULTI CONTROLLER CIRCUIT BOARD		1	1	1		MULTI.B.			
31	T7W E17 716	TERMINAL BLOCK	3P (M1, M2, S)	2	2	2		TB3, TB7			
32	T7W E06 716	TERMINAL BLOCK	5P (L1,L2,L3,N,⊙)	1	1	1		TB1			
33	R01 E02 239	FUSE	250V 6.3A	2	2	2		F1,2			
34	R01 E66 202	THERMISTOR (OUTDOOR PIPE)		1	1	1		TH3			
35	T7W E06 254	CAPACITOR		1	1	1		CK			
36	R01 17T 201	THERMISTOR (DISCHARGE)		1	1	1		TH4			

DRAIN SOCKET

Part No.	PAC-SG61DS-E
----------	--------------

AIR OUTLET GUIDE

Part No.	PAC-SG59SG-E
----------	--------------

* Need two piece.

AIR GUIDE

Part No.	PAC-SG57AG-E
----------	--------------

* Need two piece.

DRAIN PAN

Part No.	PAC-SG64DP-E
----------	--------------

FILTER DRYER (For liquid line : $\phi 9.52$)

Part No.	PAC-SG82DR-E
----------	--------------

* Only for R410A model (Don't use for R22 model)

BRANCH PIPE (Joint)

Part No.	NUMBER OF BRANCHING POINTS
CMY-Y62-G-E	2
CMY-Y64-G-E	4
CMY-Y68-G-E	8



HEAD OFFICE : MITSUBISHI DENKI BLDG., 2-2-3, MARUNOUCHI, CHIYODA-KU, TOKYO100-8310, JAPAN