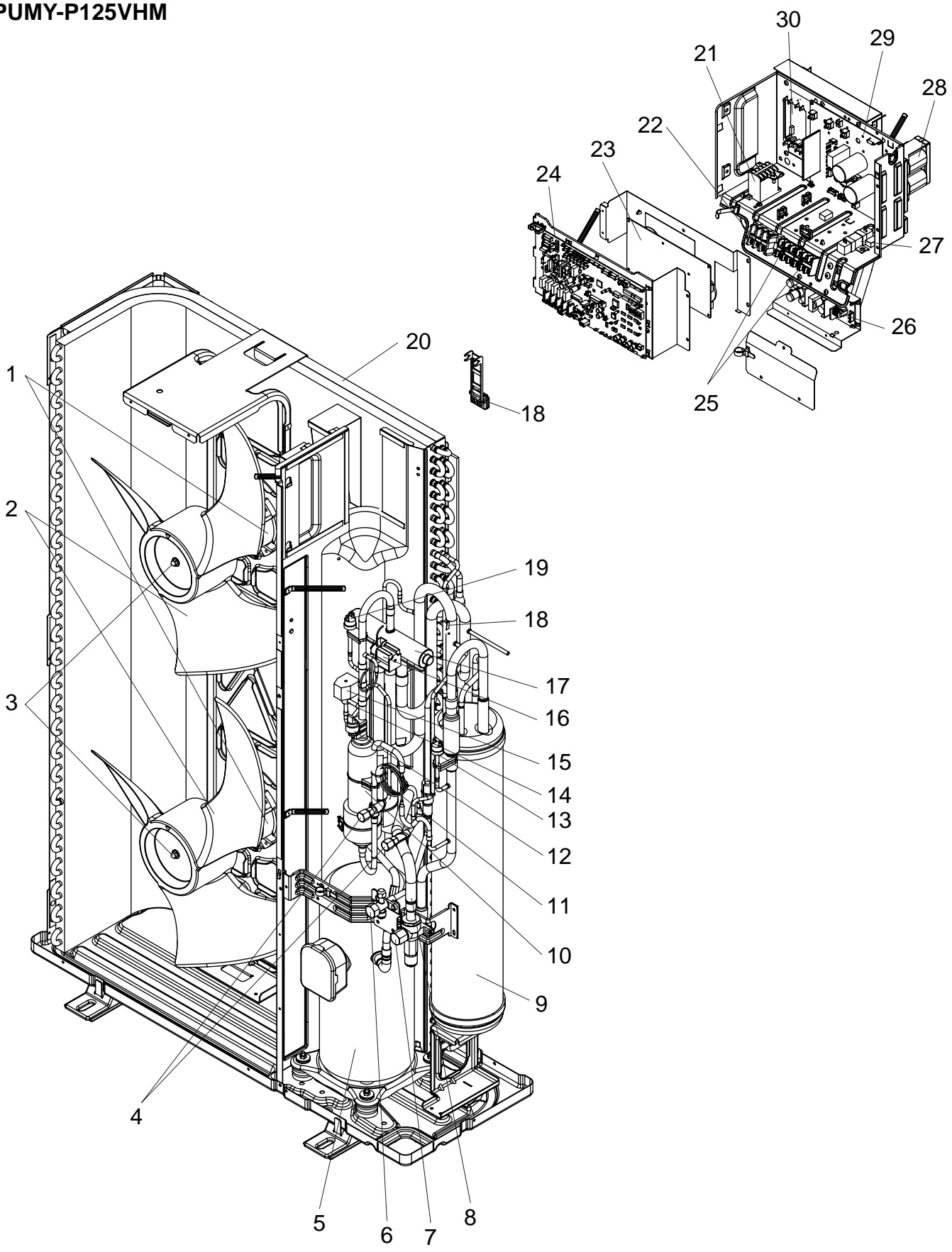


**12-1. FUNCTIONAL PARTS
PUMY-P125VHM**

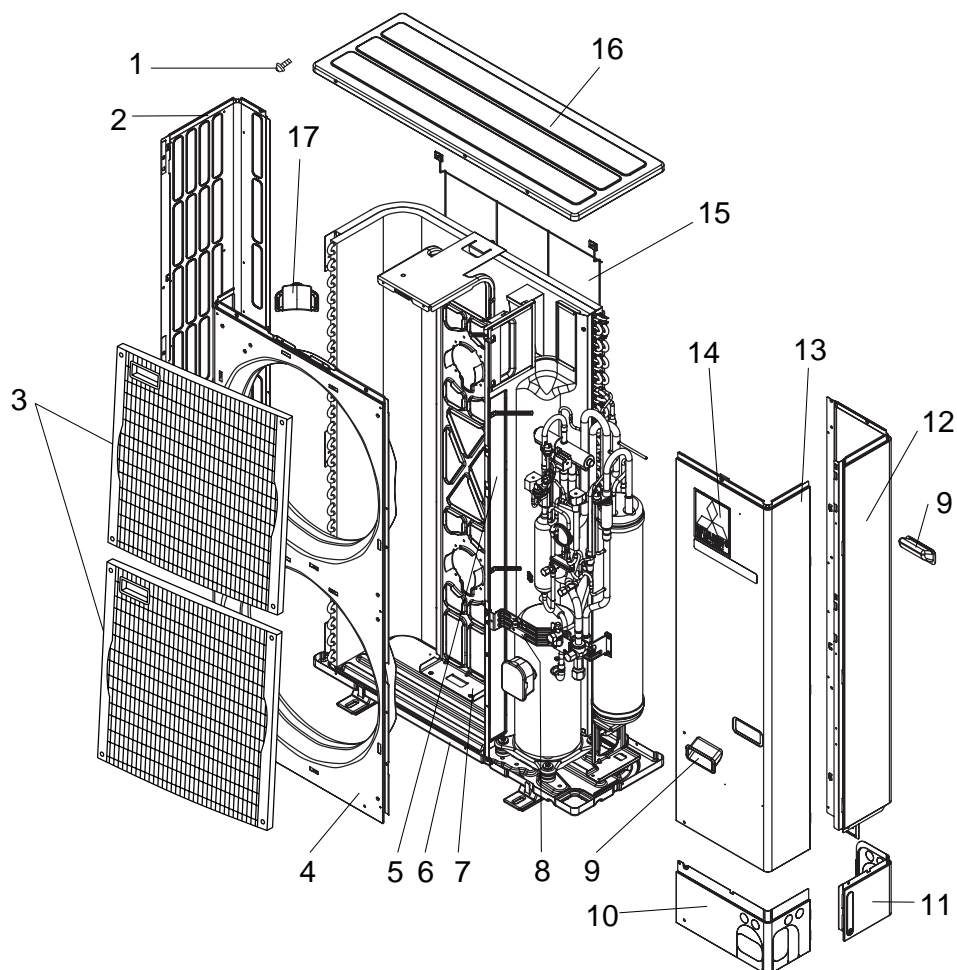




Part numbers that are circled are not shown in the figure.

No.	Part No.	Part Name	Specification	Q'ty/set	Remarks (Drawing No.)	Wiring Diagram Symbol	Recom- mended Q'ty	Price	
				PUMY-P125VHM				Unit	Amount
1	R01 E44 221	FAN MOTOR		2		MF1,2			
2	R01 E01 115	PROPELLER FAN		2					
3	R01 E02 097	NUT		2					
4	R01 E06 413	CHARGE PLUG		2					
5	T97 410 742	COMPRESSOR	ANB33FDCMT Including RUBBER MOUNT	1		MC			
6	R01 E09 410	STOP VALVE	3/8	1					
7	R01 E09 411	BALL VALVE	5/8	1					
8	R01 E03 450	STRAINER		1					
9	R01 E35 440	ACCUMULATOR		1					
10	R01 E09 490	OIL SEPARATOR		1					
11	R01 E22 425	CAPILLARY TUBE	$\phi 2.5 \times \phi 0.8 \times 1000\text{mm}$	1					
12	T7W E04 208	H.P SENSOR		1		63HS			
13	R01 25T 209	LOW PRESSURE SWITCH		1		63L			
14	R01 E09 428	BYPASS VALVE		1					
15	T7W E08 242	SOLENOID VALVE COIL <BYPASS VALVE>		1		SV1			
16	T7W E25 242	SOLENOID COIL <FOUR-WAY VALVE>		1		21S4			
17	R01 E26 403	FOUR-WAY VALVE		1					
18	R01 E75 202	THERMISTOR		1		TH6,7			
19	R01 E04 208	HIGH PRESSURE SWITCH		1		63H			
20	T7W E26 408	HEAT EXCHANGER		1					
21	T7W E02 259	CONTACTOR		1		52C			
22	T7W A13 716	TERMINAL BLOCK	3P (L,N, ⊕)	1		TB1			
23	T7W E14 346	NOISE FILTER CIRCUIT BOARD		1		N.F.			
24	R01 H76 310	MULTI CONTROLLER CIRCUIT BOARD		1		MULTI.B.			
25	T7W E17 716	TERMINAL BLOCK	3P (M1, M2, S)	2		TB3, TB7			
26	R01 E01 311	TRANSMISSION POWER BOARD		1		M-P.B.			
27	T7W E01 234	RESISTOR		1		RS			
28	T7W E09 259	REACTOR		1		DCL			
29	T7W E26 313	POWER CIRCUIT BOARD		1		P.B.			
30	T7W E01 233	ACT MODULE		1		ACTM			
③①	T7W E09 254	MAIN SMOOTHING CAPACITOR		1		CB			
③②	R01 E66 202	THERMISTOR (OUTDOOR PIPE)		1		TH3			
③③	R01 E00 201	THERMISTOR (DISCHARGE)		1		TH4			
③④	R01 E65 202	THERMISTOR (HEATSINK)		1		TH8			
③⑤	R01 E02 239	FUSE	250V 6.3A	2		F1, 2			

12-2. STRUCTURAL PARTS PUMY-P125VHM



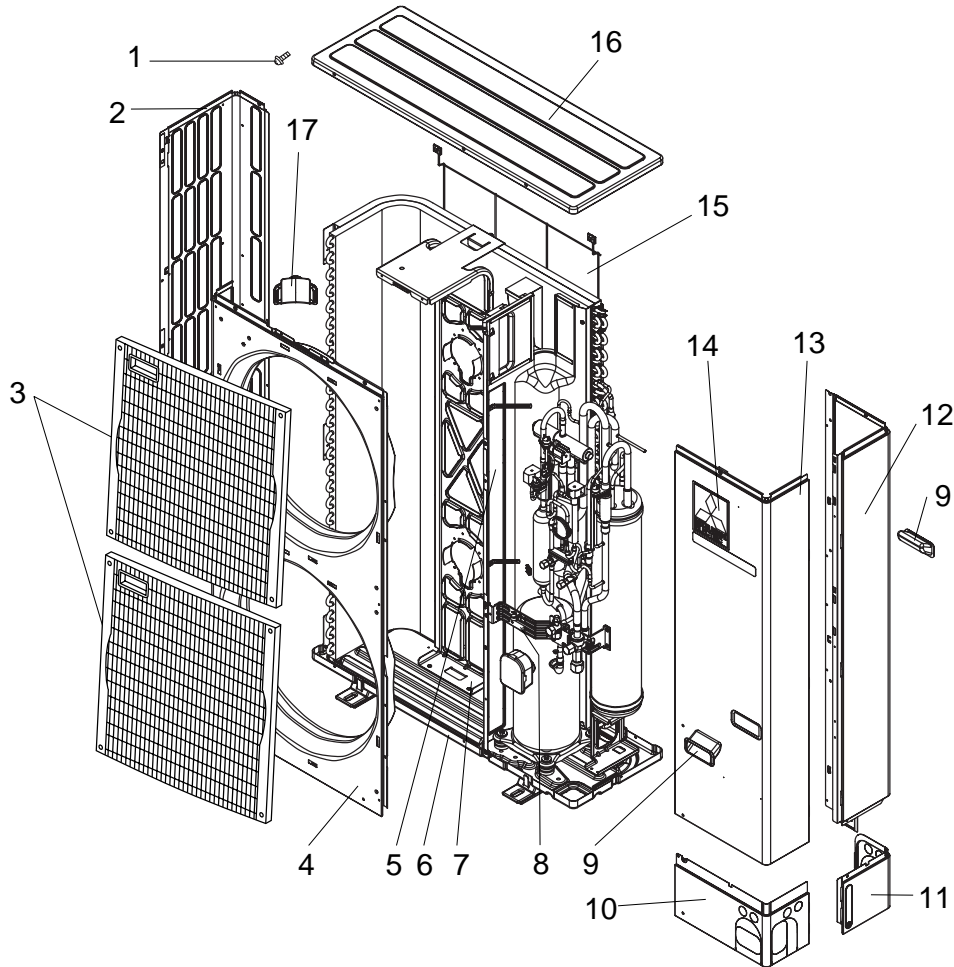
No.	Part No.	Part Name	Specification	Q'ty/set	Remarks (Drawing No.)	Wiring Diagram Symbol	Recom- mended Q'ty	Price	
				PUMY-P125VHM				Unit	Amount
1	-	F.ST SCREW	(5X10)	38	(DG12F536H10)				
2	T7W E02 662	SIDE PANEL (L)		1					
3	T7W E02 691	FAN GRILLE		2					
4	T7W E02 667	FRONT PANEL		1					
5	-	SEPARATOR		1	(BK00C143G80)				
6	R01 E14 686	BASE ASSY		1					
7	R01 E25 130	MOTOR SUPPORT		1					
8	-	VALVE BED ASSY		1	(BK00C142G15)				
9	R01 30L 655	HANDLE		2					
10	R01 E13 658	COVER PANEL (FRONT)		1					
11	R01 E11 658	COVER PANEL (REAR)		1					
12	R01 E24 661	SIDE PANEL (R)		1					
13	T7W E03 668	SERVICE PANEL		1					
14	-	LABEL (MITSUBISHI)		1	(DG79R130H01)				
15	R01 E01 698	REAR GUARD		1					
16	R01 E04 641	TOP PANEL		1					
17	R01 E00 655	HANDLE		1					

13

RoHS PARTS LIST

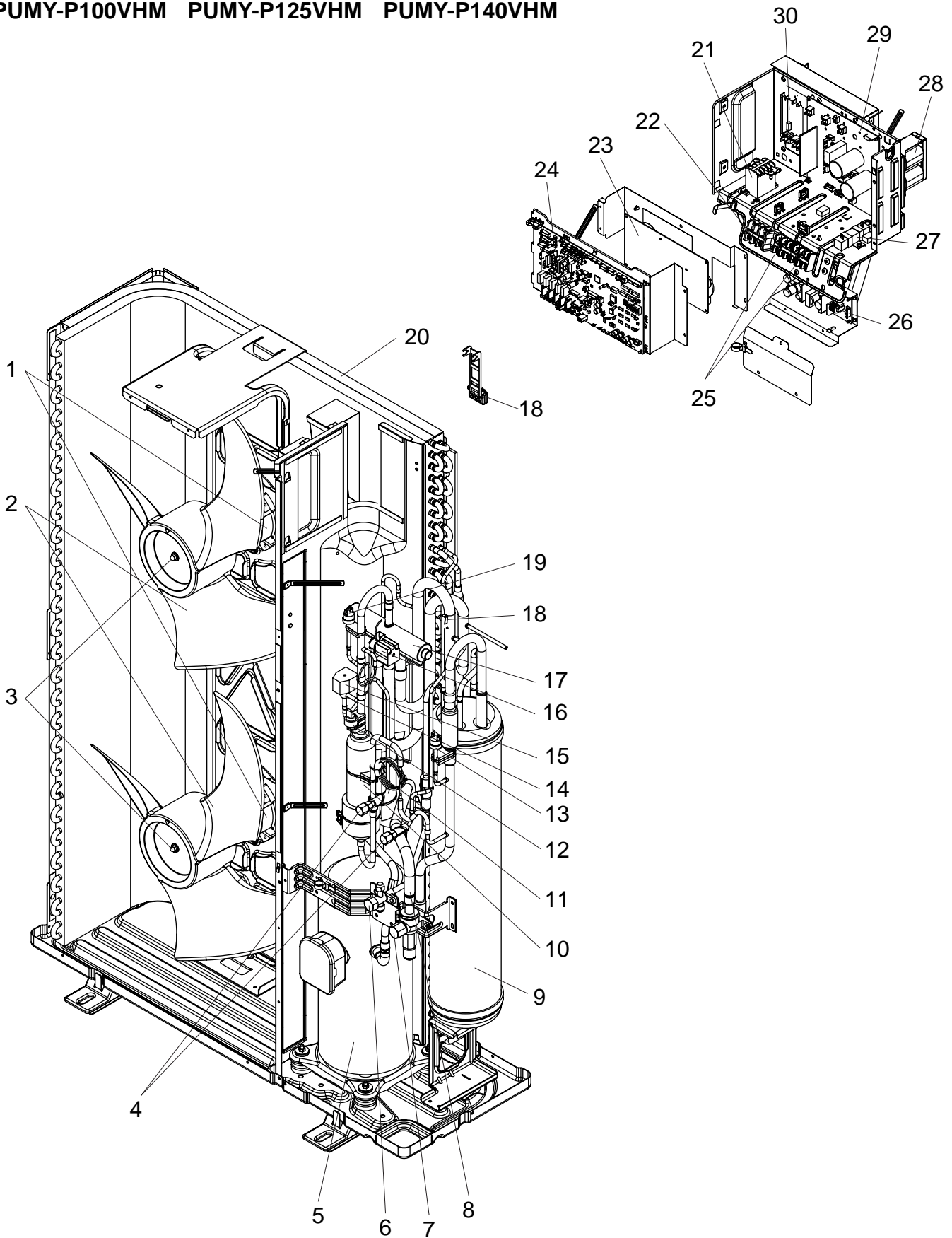
13-1. STRUCTURAL PARTS

PUMY-P100VHM PUMY-P125VHM PUMY-P140VHM



No.	RoHS	Part No.	Part Name	Specification	Q'ty/set	Remarks (Drawing No.)	Wiring Diagram Symbol	Recom- mended Q'ty	Price	
					PUMY- P100,125,140VHM				Unit	Amount
1	G	-	F.ST SCREW	(5X10)	38	(DG12F536H10)				
2	G	T7W E03 662	SIDE PANEL (L)		1					
3	G	T7W E03 691	FAN GRILLE		2					
4	G	T7W E06 667	FRONT PANEL		1					
5	G	-	SEPARATOR		1	(BK00C143G80)				
6	G	R01 E31 686	BASE ASSY		1					
7	G	R01 E27 130	MOTOR SUPPORT		1					
8	G	-	VALVE BED ASSY		1	(BK00C142G15)				
9	G	R01 E01 655	HANDLE		2					
10	G	R01 E13 658	COVER PANEL (FRONT)		1					
11	G	R01 E11 658	COVER PANEL (REAR)		1					
12	G	R01 E32 661	SIDE PANEL (R)		1					
13	G	T7W E08 668	SERVICE PANEL		1					
14	G	-	LABEL (MITSUBISHI)		1	(DG79R130H01)				
15	G	R01 E07 698	REAR GUARD		1					
16	G	R01 E14 641	TOP PANEL		1					
17	G	R01 E02 655	HANDLE		1					

13-2. FUNCTIONAL PARTS
PUMY-P100VHM PUMY-P125VHM PUMY-P140VHM





Part numbers that are circled are not shown in the figure.

No.	RoHS	Part No.	Part Name	Specification	Q'ty/set	Remarks (Drawing No.)	Wiring Diagram Symbol	Recom- mended Q'ty	Price	
					PUMY- P100, 125, 140VHM				Unit	Amount
1	G	R01 E44 221	FAN MOTOR		2		MF1,2			
2	G	R01 E08 115	PROPELLER FAN		2					
3	G	R01 E09 097	NUT		2					
4	G	R01 E14 413	CHARGE PLUG		2					
5	G	T97 415 742	COMPRESSOR	ANB33FDCMT Including RUBBER MOUNT	1		MC			
6	G	R01 E13 410	STOP VALVE	3/8	1					
7	G	R01 E11 411	BALL VALVE	5/8	1					
8	G	R01 E06 450	STRAINER		1					
9	G	R01 E44 440	ACCUMULATOR		1					
10	G	R01 E12 490	OIL SEPARATOR		1					
11	G	R01 E26 425	CAPILLARY TUBE	$\phi 2.5 \times \phi 0.8 \times 1000\text{mm}$	1					
12	G	R01 E07 208	H.P SENSOR		1		63HS			
13	G	R01 E00 209	LOW PRESSURE SWITCH		1		63L			
14	G	R01 E14 428	BYPASS VALVE		1					
15	G	T7W E32 242	SOLENOID VALVE COIL <BYPASS VALVE>		1		SV1			
16	G	T7W E25 242	SOLENOID COIL <FOUR-WAY VALVE>		1		21S4			
17	G	R01 E26 403	FOUR-WAY VALVE		1					
18	G	R01 H01 202	THERMISTOR		1		TH6,7			
19	G	R01 E06 208	HIGH PRESSURE SWITCH		1		63H			
20	G	T7W E39 408	HEAT EXCHANGER		1					
21	G	T7W E10 259	CONTACTOR		1		52C			
22	G	T7W A15 716	TERMINAL BLOCK	3P (L,N, ⊕)	1		TB1			
23	G	T7W E16 346	NOISE FILTER CIRCUIT BOARD		1		N.F.			
24	G	R01 N21 310	MULTI CONTROLLER CIRCUIT BOARD		1		MULTI.B.			
25	G	T7W E31 716	TERMINAL BLOCK	3P (M1, M2, S)	2		TB3, TB7			
26	G	R01 E02 311	TRANSMISSION POWER BOARD		1		M-P.B.			
27	G	R01 E00 234	RESISTOR		1		RS			
28	G	R01 E20 259	REACTOR		1		DCL			
29	G	T7W E31 313	POWER CIRCUIT BOARD		1		P.B.			
30	G	T7W E01 233	ACT MODULE		1		ACTM			
31	G	R01 E20 254	MAIN SMOOTHING CAPACITOR		1		CB			
32	G	R01 H00 202	THERMISTOR (OUTDOOR PIPE)		1		TH3			
33	G	R01 E12 201	THERMISTOR (DISCHARGE)		1		TH4			
34	G	R01 E99 202	THERMISTOR (HEATSINK)		1		TH8			
35	G	R01 E06 239	FUSE	250V 6.3A	2		F1, 2			

DRAIN SOCKET

Part No.	PAC-SG61DS-E
----------	--------------

AIR OUTLET GUIDE

Part No.	PAC-SG59SG-E
----------	--------------

* Need two pieces.

AIR GUIDE

Part No.	PAC-SH63AG-E
----------	--------------

* Need two pieces.

DRAIN PAN

Part No.	PAC-SG64DP-E
----------	--------------

FILTER DRYER (For liquid line : $\phi 9.52$)

Part No.	PAC-SG82DR-E
----------	--------------

* Only for R410A model (Don't use for R22 model)

BRANCH PIPE (Joint)

Part No.	NUMBER OF BRANCHING POINTS
CMY-Y62-G-E	2
CMY-Y64-G-E	4
CMY-Y68-G-E	8



HEAD OFFICE : TOKYO BLDG., 2-7-3, MARUNOUCHI, CHIYODA-KU, TOKYO100-8310, JAPAN