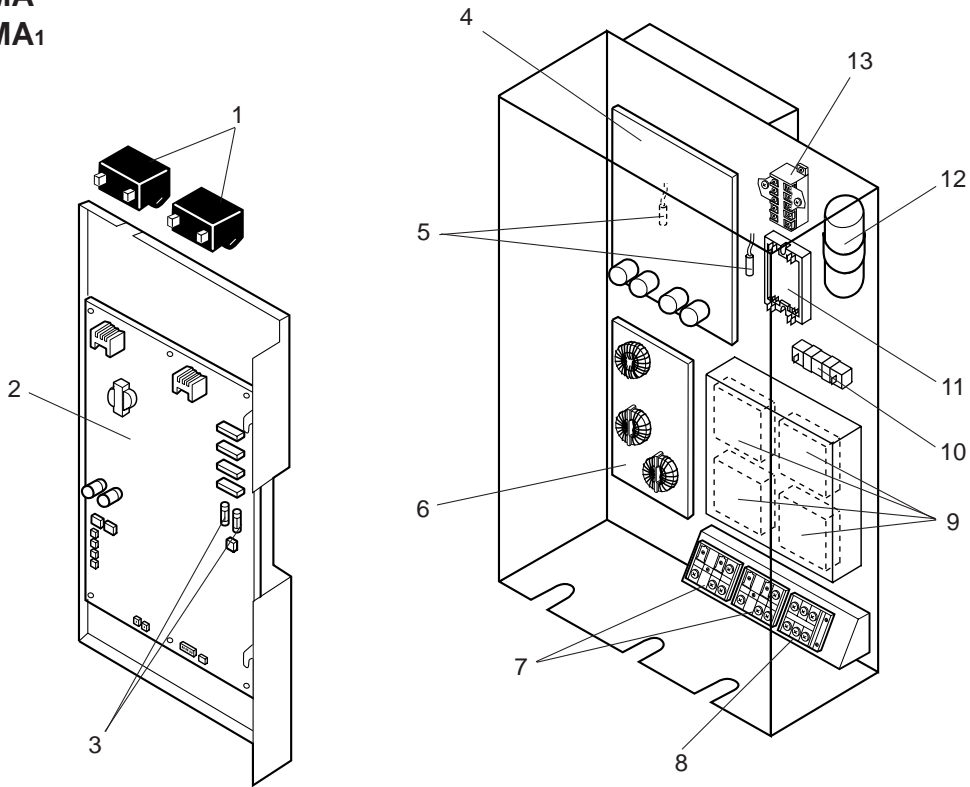


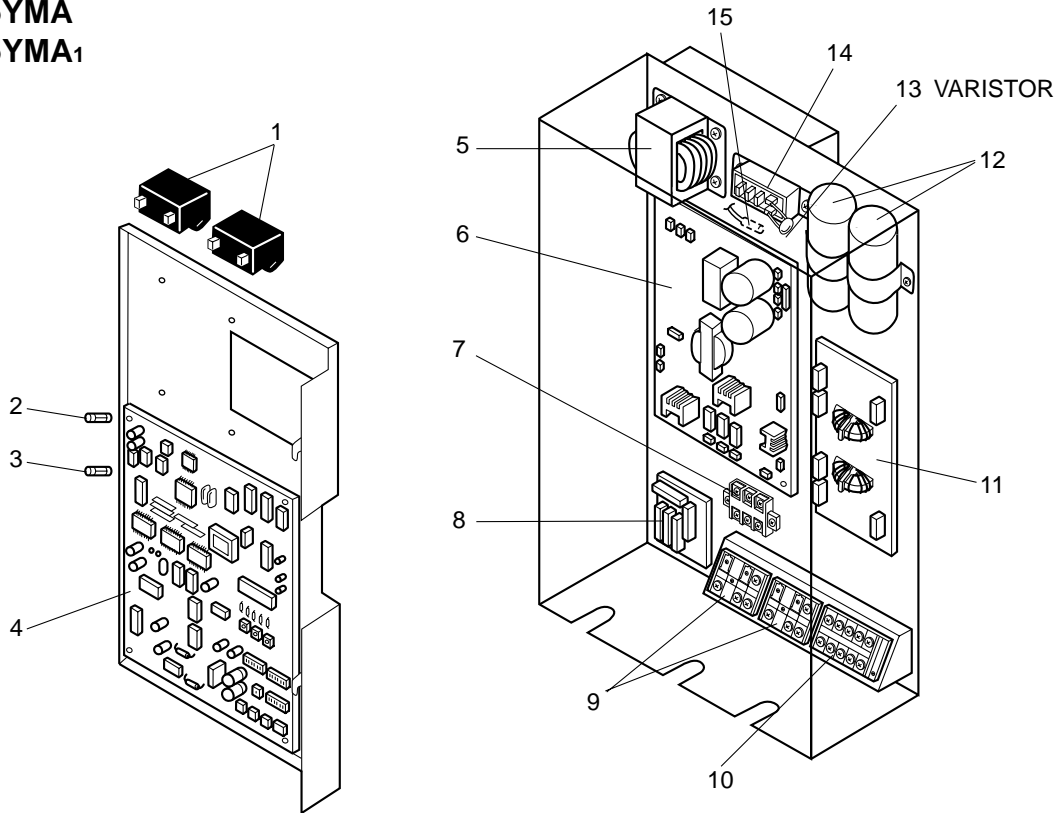
**ELECTRICAL PARTS**  
**PUMY-P125VMA**  
**PUMY-P125VMA<sub>1</sub>**

\* The illustration below is of PUMY-P125VMA



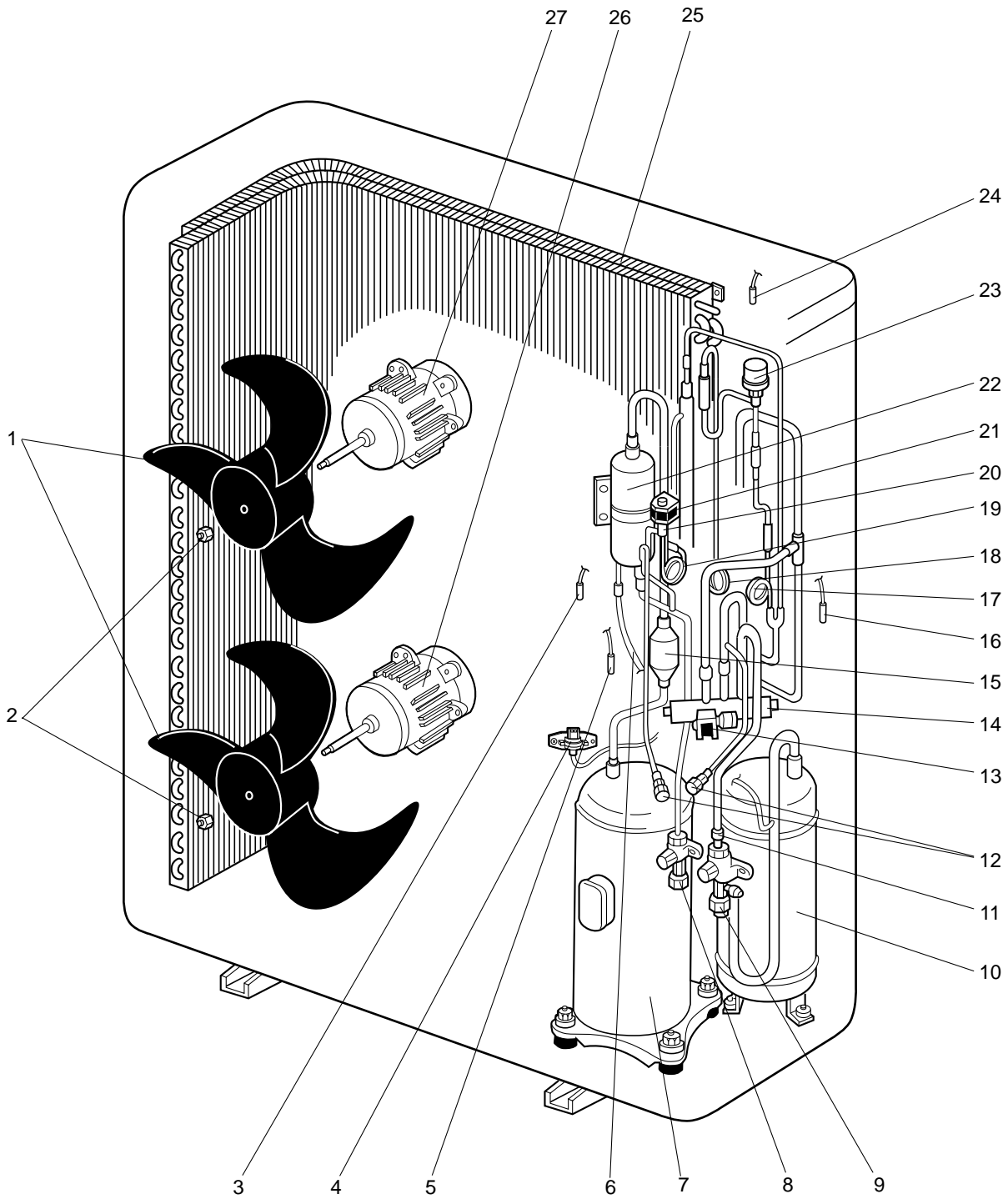
No.	Part No.	Part Name	Specification	Q'ty/set		Remarks (Drawing No.)	Wiring Diagram Symbol	Recom- mended Q'ty	Price	
				PUMY-P 125VMA	125VMA <sub>1</sub>				Unit	Amount
1	R01 580 255	FAN MOTOR CAPACITOR	3.5 $\mu$ F 440VAC	2	2		C1,2			
2	T7W E19 315	MULTI CIRCUIT BOARD		1	1		M.B.			
3	T7W 520 239	FUSE	6.3A 250V	2	2		F1, F2			
4	T7W E08 313	POWER CIRCUIT BOARD		1	1		P.B.			
5	R01 E65 202	THERMISTOR (RADIATOR PANEL)		2	2		THHS A/B			
6	T7W E04 346	NOISE FILTER CIRCUIT BOARD		1	1		N.F.			
7	T7W A12 716	TERMINAL BLOCK	3P(M1, M2, S)	2	2		TB3,7			
8	T7W A13 716	TERMINAL BLOCK	3P(L, N, ⊕)	1	1		TB1			
9	T7W E01 259	REACTOR		4			DCL1,2,3,4			
	TW7 E04 259	REACTOR			2		DCL1,2			
10	T7W E01 234	RESISTOR (RUSH CURRENT PROTECTION)		1	1		RS			
11	T7W E00 233	ACTIVE FILTER MODULE		1	1		ACTM			
12	T7W E05 254	SMOOTHING CAPACITOR	1,600 $\mu$ / 400WV	1	1		CE			
13	T7W E02 259	MAGNETIC CONTACTOR	S-U12 230V	1	1		52C			

**ELECTRICAL PARTS**  
**PUMY-P125YMA**  
**PUMY-P125YMA<sub>1</sub>**



No.	Part No.	Part Name	Specification	Q'ty/set		Remarks (Drawing No.)	Wiring Diagram Symbol	Recom- mended Q'ty	Price	
				PUMY-P125	YMA <sub>1</sub>				Unit	Amount
1	R01 580 255	FAN MOTOR CAPACITOR	3.5 $\mu$ F 440VAC	2	2		C1,2			
2	T7W E02 239	FUSE	2A 250V	1	1		FUSE2			
3	T7W 520 239	FUSE	6.3A 250V	1	1		FUSE1			
4	T7W E11 315	MULTI CONTROLLER BOARD		1						
	T7W E18 315	MULTI CONTROLLER BOARD			1					
5	T7W E00 259	REACTOR		1	1		DCL			
6	T7W E00 311	POWER SUPPLY BOARD		1	1					
7	T7W 249 708	MAGNETIC CONTACTOR	S-U12 230V	1	1		52C			
8	T7W E00 234	RESISTOR BOARD		1	1					
9	T7W A12 716	TERMINAL BLOCK	3P(M1,M2,S)	2	2		TB3,7			
10	T7W E10 716	TERMINAL BLOCK	5P(L1,L2,L3,N,⊕)	1	1		TB1			
11	T7W E01 346	NOISE FILTER		1	1		NF			
12	T7W E03 254	CAPACITOR		2	2		C03			
13	T7W E00 349	VARISTOR		1	1		ZNR			
14	T7W E00 292	DIODE MODULE		1	1		DM			
15	R01 36A 202	THERMISTOR (IPM RADIATOR PANEL)		1	1		THHS			

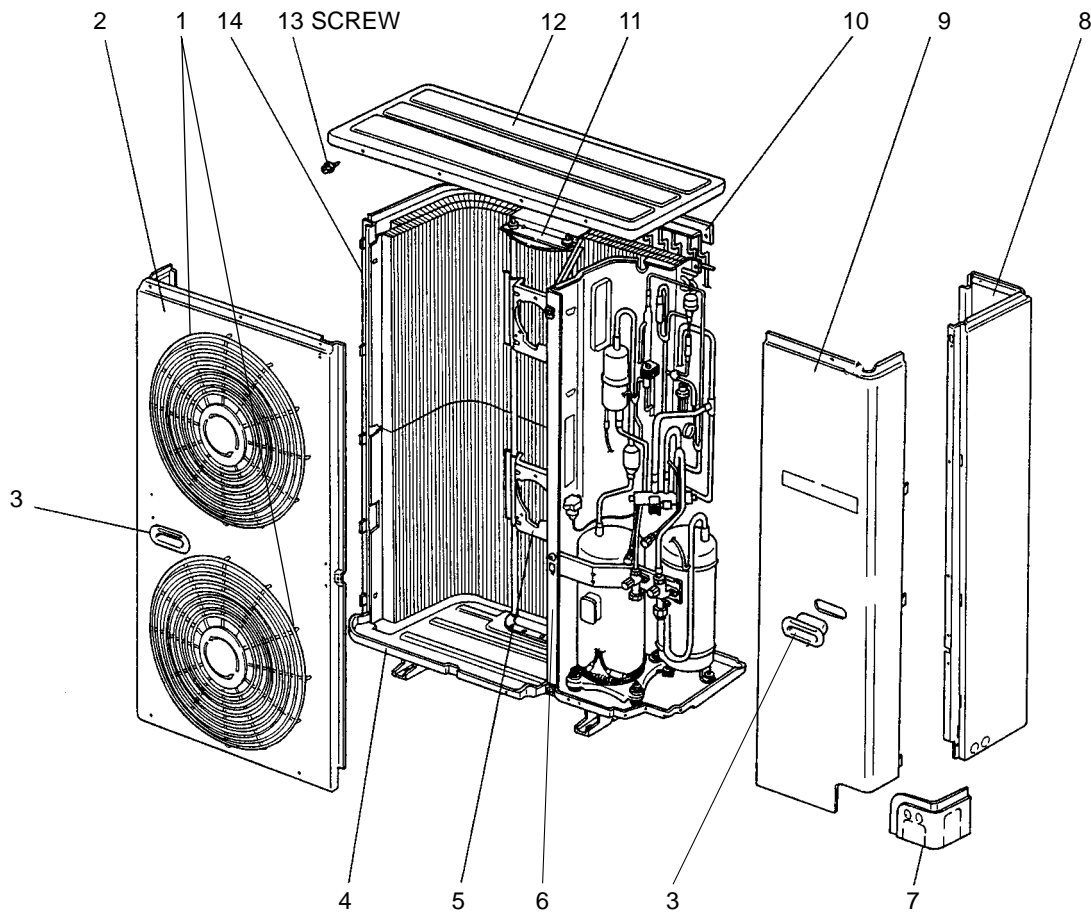
**FUNCTIONAL PARTS**  
**PUMY-P125VMA**  
**PUMY-P125VMA<sub>1</sub>**  
**PUMY-P125YMA**  
**PUMY-P125YMA<sub>1</sub>**



Part number that is circled is not shown in the figure.

No.	Part No.	Part Name	Specification	Q'ty/set			Remarks (Drawing No.)	Wiring Diagram Symbol	Recom- mended Q'ty	Price	
				PUMY-P125						Unit	Amount
				VMA VMA <sub>1</sub>	YMA	YMA <sub>1</sub>					
1	R01 KL5 115	PROPELLER		2	2	2					
2	R01 30L 097	NUT	M8	2	2	2					
3	R01 35A 202	THERMISTOR (DISCHARGE TEMPERATURE DETECTION)		1	1	1		TH1			
4	R01 E00 268	HIGH PRESSURE SENSOR	3.0MPa	1	1	1		63HS			
5	R01 E30 202	THERMISTOR (PIPE TEMPERATURE DETECTION / JUDGING DEFROST)		1	1	1		TH5			
6	R01 J01 425	CAPILLARY TUBE 1	$\phi 2.5 \times \phi 0.6 \times 500\text{mm}$	1	1	1					
7	T97 500 218	COMPRESSOR	EEV48FAM	1				MC			
	T97 500 216	COMPRESSOR	EEV48FAK		1	1		MC			
8	R01 E02 410	BALL VALVE	3/8"	1	1	1					
9	R01 E03 411	BALL VALVE	3/4"	1	1	1					
10	R01 38A 440	ACCUMULATOR		1	1	1					
11	R01 42L 450	STRAINER		1	1	1					
12	R01 28W 413	CHARGE PLUG		2	2	2					
13	T7W E02 242	4-WAY VALVE (COIL)		1	1	1		21S4			
14	R01 E06 403	4-WAY VALVE		1	1	1					
15	R01 KP1 467	MUFFLER		1	1	1					
16	T7W E37 202	THERMISTOR (LOW PRESSURE SATURATED TEMPERATURE DETECTION)		1				TH2			
	R01 E29 202	THERMISTOR (LOW PRESSURE SATURATED TEMPERATURE DETECTION)			1	1		TH2			
17	T7W E13 425	CAPILLARY TUBE 2	$\phi 2.5 \times \phi 0.6 \times 500\text{mm}$	1	1	1					
18	R01 38A 425	CAPILLARY TUBE 3	$\phi 4.0 \times \phi 3.0 \times 200\text{mm}$	2	2	2					
19	R01 E10 425	CAPILLARY TUBE 4	$\phi 4.0 \times \phi 2.4 \times 360\text{mm}$	1	1	1					
20	R01 E02 428	SOLENOID VALVE (COIL)		1	1	1					
21	T7W E00 242	SOLENOID COIL		1	1	1		SV1			
22	R01 37A 490	OIL SEPARATOR		1	1	1					
23	R01 05A 401	EXPANSION VALVE		1				LEV(A)			
	R01 V39 401	EXPANSION VALVE			1	1		SLEV			
24	T7W E36 202	THERMISTOR (OUTDOOR TEMPERATURE DETECTION)		1				TH6			
	R01 E31 202	THERMISTOR (OUTDOOR TEMPERATURE DETECTION)			1	1		TH6			
25	R01 E23 408	HEAT EXCHANGER		2	2	2					
26	T7W E19 763	FAN MOTOR	PA6V60-GD	1	1	1		MF2			
27	T7W E18 763	FAN MOTOR	PA6V60-GC	1	1	1		MF1			
28	R01 E00 405	DRYER		1	1	1					

**STRUCTURAL PARTS**  
**PUMY-P125VMA**  
**PUMY-P125VMA<sub>1</sub>**  
**PUMY-P125YMA**  
**PUMY-P125YMA<sub>1</sub>**



No.	Part No.	Part Name	Specification	Q'ty/set			Remarks (Drawing No.)	Wiring Diagram Symbol	Recom- mended Q'ty	Price	
				VMA VMA <sub>1</sub>	YMA	YMA <sub>1</sub>				Unit	Amount
1	R01 KN4 675	FAN GUARD		2	2	2					
2	R01 38A 668	FRONT PANEL		1	1	1					
3	R01 KL5 655	PANEL HANDLE		3	3	3					
4	R01 38A 686	BASE		1	1	1					
5	R01 E01 130	MOTOR SUPPORT		1	1	1					
6	—	SEPARATOR ASSY		1	1	1	(BG00G362G27)				
7	T7W E06 658	PANEL COVER		1	1	1					
8	R01 38A 682	REAR PANEL		1	1	1					
9	R01 38A 661	SERVICE PANEL		1	1	1					
10	R01 KP2 698	REAR GUARD		1	1	1					
11	—	MOTOR PLATE		1	1	1	(BG00C965G20)				
12	T7W E00 641	TOP PANEL		1							
	R01 38A 641	TOP PANEL			1	1					
13	—	SCREW (5×10)		11	11	11	(DG12F536H10)				
14	R01 KP2 662	SIDE PANEL LEFT		1	1	1					