

Y Series (5hp)

R407c Heat Pump Outdoor Unit

The latest in Mitsubishi Electric Y Series technology incorporated within the new City Multi 5hp model allows up to 8 indoor units to be connected to a single outdoor unit, using the standard branch/header pipework system proven in 8 and 10hp models. Utilising the latest Mitsubishi Electric Inverter technology, the system is fully controllable with all City Multi controllers or linked to third party BMS.

- > A two core non-polar transmission line allows for simple installation of up to eight indoor units
- > The condensing unit is extremely slimline which allows easy location and application of the system
- > Available in both single phase and three phase power supply
- > Available from the end of 2005 in R410A



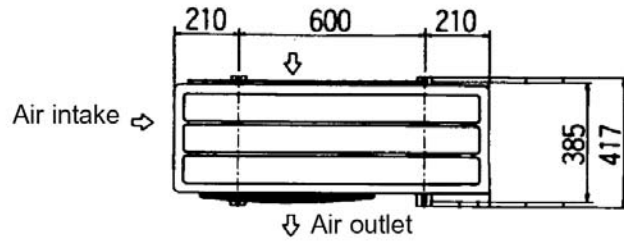
Technical Information >>

Y SERIES OUTDOOR UNIT - 5hp			
MODEL REFERENCE		PUMY-P125VMA	PUMY-P125YMA
CAPACITY (kW)	Heating (nominal)	16.0	16.0
	Cooling (nominal)	14.0	14.0
	Heating (UK)	13.2	13.2
	Cooling (UK)	13.3	13.3
POWER INPUT (kW)	Heating (nominal)	6.03	5.58
	Cooling (nominal)	6.10	5.95
	Heating (UK)	5.31	4.84
	Cooling (UK)	5.19	5.02
MAX No. OF CONNECTABLE INDOOR UNITS		8	8
AIRFLOW (m3/min)	High	90	90
NOISE (dBA)		54	54
WEIGHT (kg)		127	127
DIMENSIONS (mm)	Width	1020	1020
	Depth	350+30	350+30
	Height	1280	1280
ELECTRICAL SUPPLY		220-240v, 50Hz	380-415v, 50Hz
PHASE		Single	3
STARTING CURRENT (A)		17	8
RUNNING CURRENT (A)	Heating	25.7	8.5
	Cooling	26.0	8.8
FUSE RATING (BS88) – HRC (A)		32	25
MAINS CABLE No. CORES		4 + earth	4 + earth

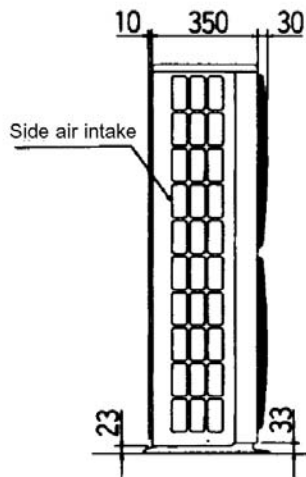
PUMY-P125V/YMA Piping Restrictions	
TOTAL PIPING LENGTH	100m max
FURTHEST PIPING LENGTH	70m max
FURTHEST PIPING LENGTH AFTER 1st BRANCH	30m max
BETWEEN INDOOR AND OUTDOOR UNITS - HEIGHT	30m max (20m max if outdoor installed below)
BETWEEN INDOOR AND INDOOR UNITS - HEIGHT	12m max

PUMY-PI25VMA/YMA

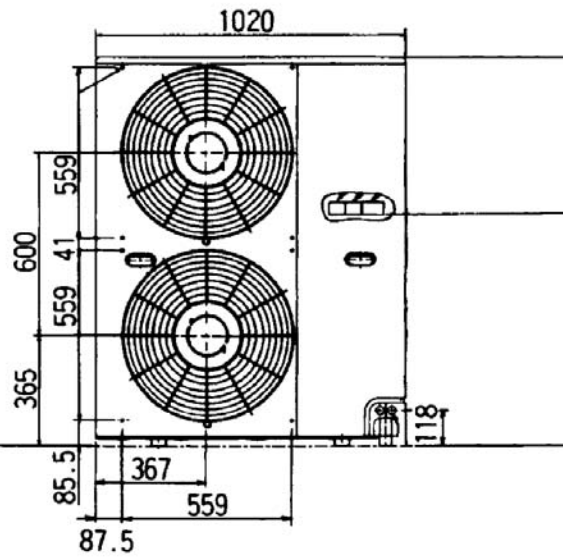
Upper View >



Left Side View >



Front View >



Rear View >

