

SERVICE PARTS LIST FOR MITSUBISHI ELECTRIC PACKAGED AIR-CONDITIONERS

**Series PUY-P-YMF-C
PUHY-P-YMF-C**

For use with the R407C

Jan. 2001

INDEX

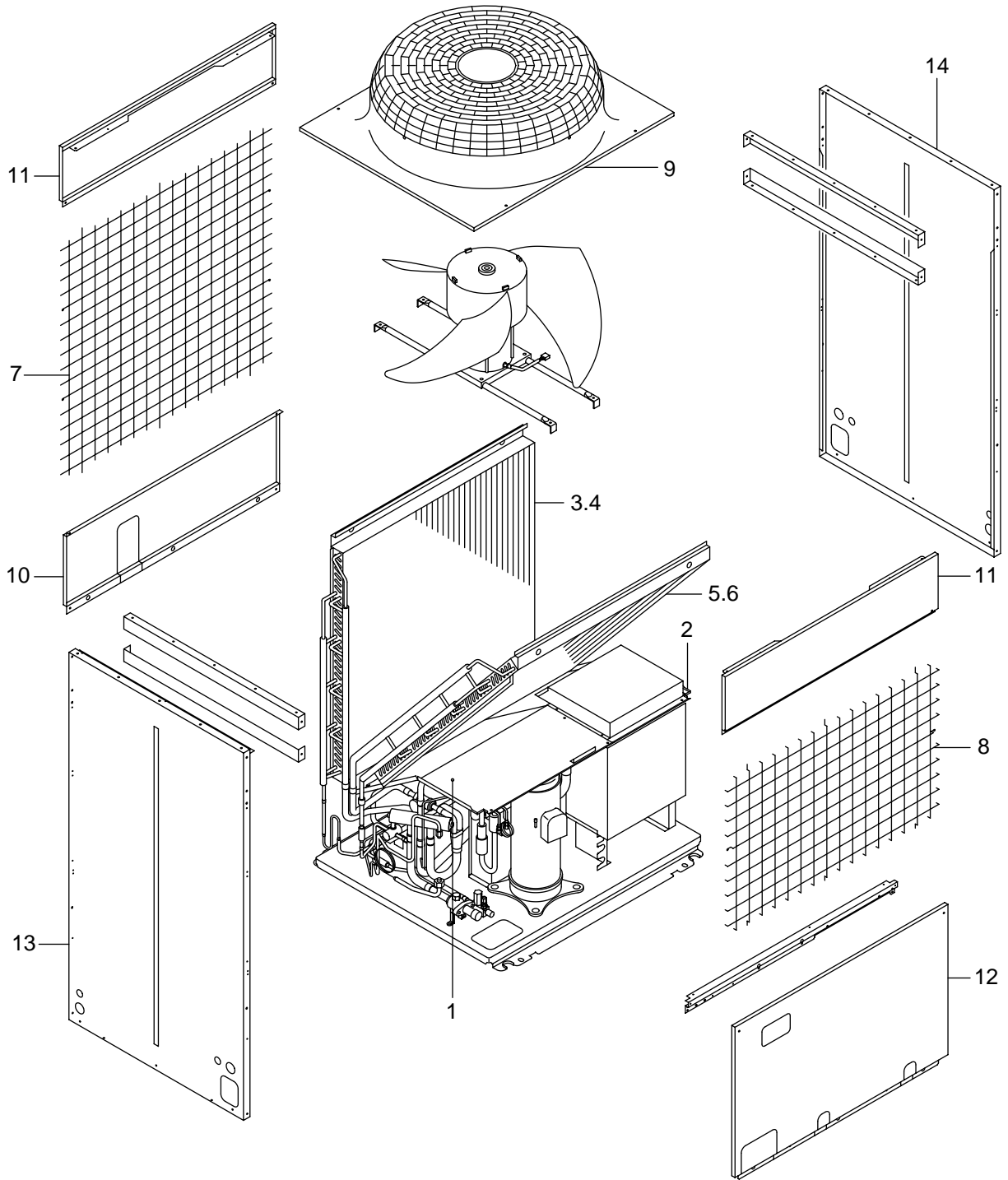
P U Y - P 2 0 0 Y M F - C

P U Y - P 2 5 0 Y M F - C

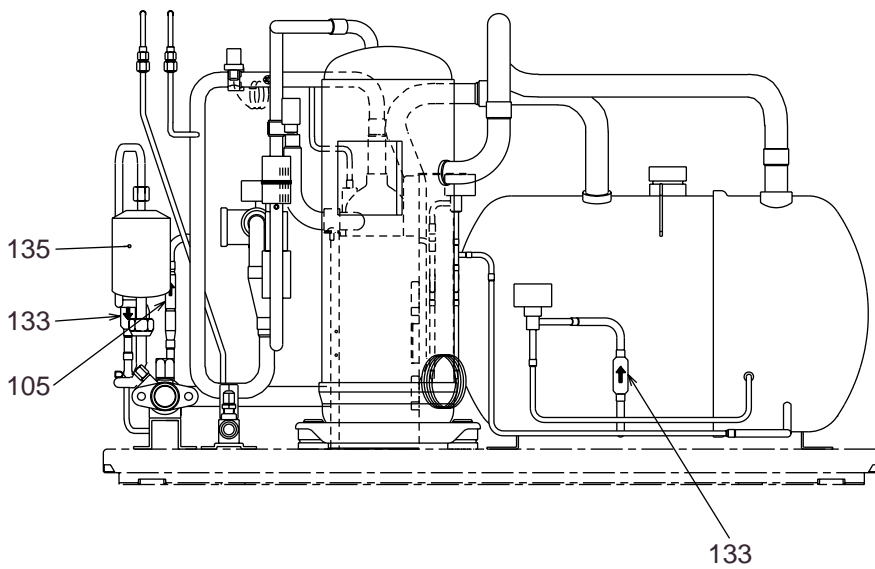
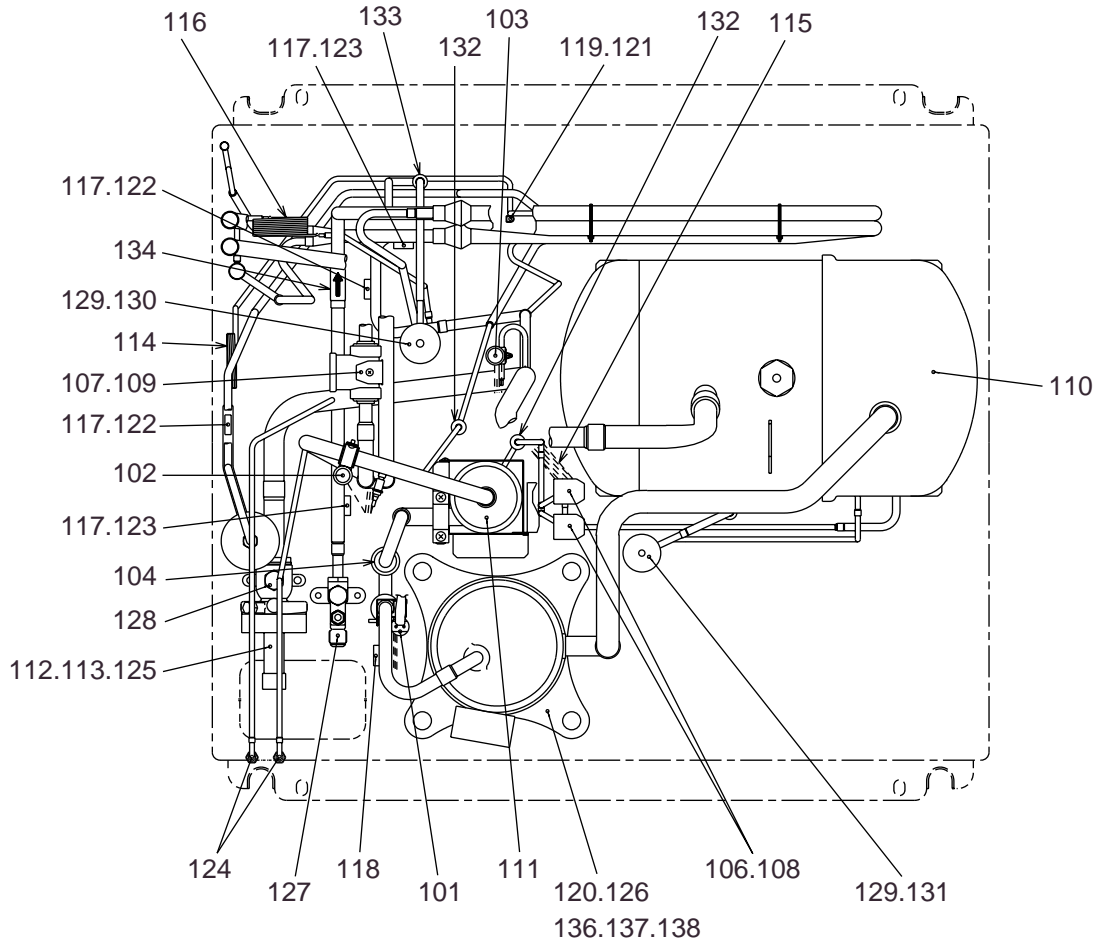
P U H Y - P 2 0 0 Y M F - C

P U H Y - P 2 5 0 Y M F - C

PUY-P200,P250YMF-C
PUHY-P200,P250YMF-C
EXTERNAL PARTS



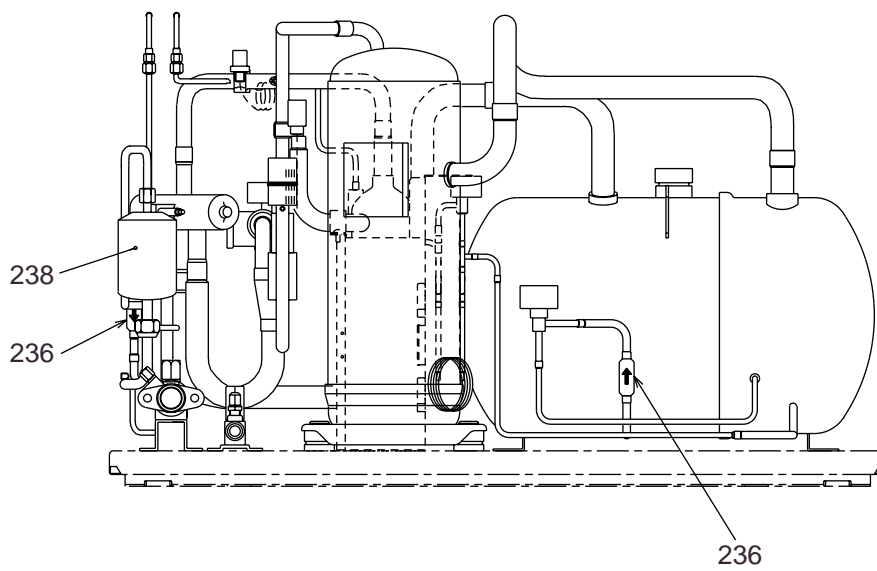
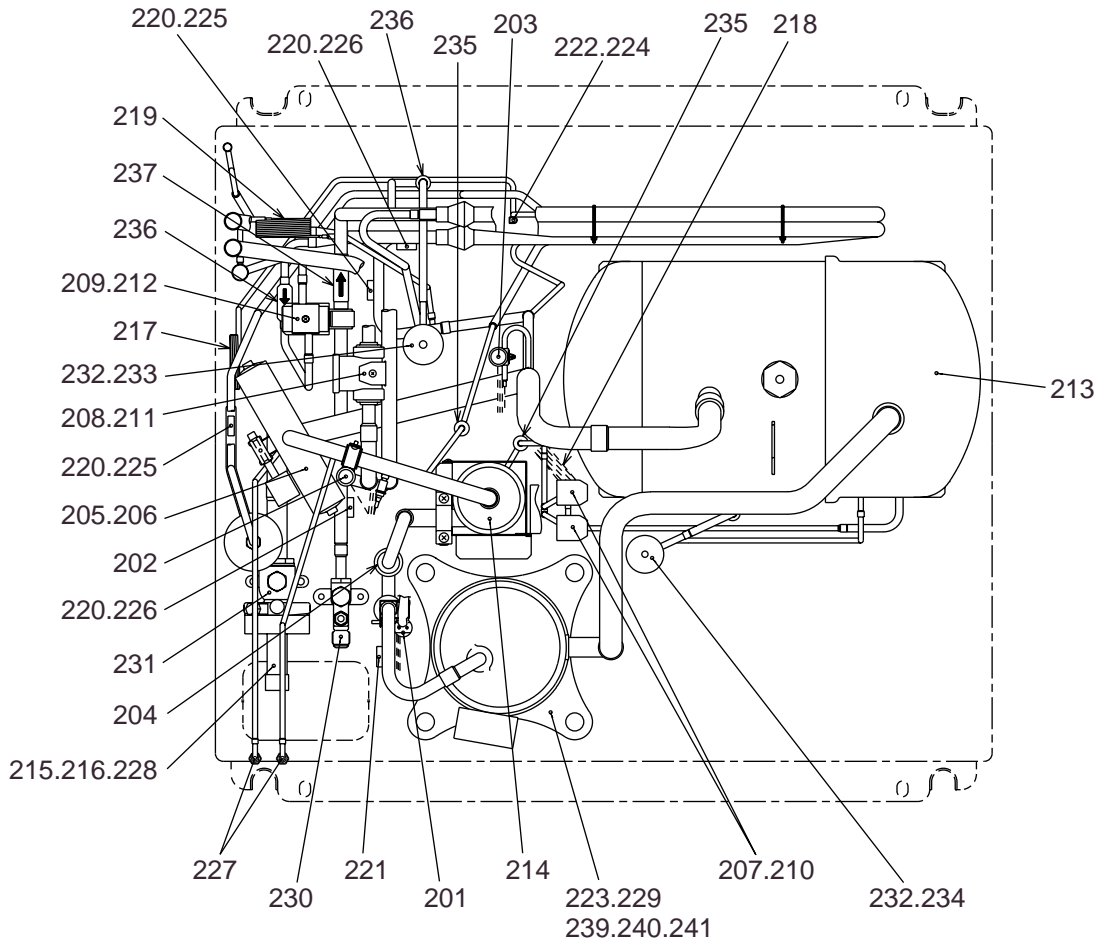
PUY-P200YMF-C
 PUY-P250YMF-C
 FUNCTIONAL PARTS



PUY-P200YMF-C
 PUY-P250YMF-C
 FUNCTIONAL PARTS

No.	Part No.	Part Name	Dwg. No.	Q'ty / Set				Spec.	Price
				PUY -P200 YMF-C	PUY -P250 YMF-C				
101	R61 Y06 208	Pressure switch	P426258X02	1	1			ACB-1TB 10W,<63H>	
102	R61 331 288	Pressure sensor	P419110X01	1	1			<63HS>	
103	R61 G35 288	Pressure sensor	P419129X01	1	1			<63LS>	
104	R61 F14 418	Check valve	P639130X01	1	1				
105	R61 625 418	Check valve	S639001H02	1	1				
106	R61 435 232	Solenoid valve	P631807X02	2	2			NEV-202DXF	
107	R61 G57 232	Solenoid valve	P631227X02	1	1			ST66PF	
108	R61 Y04 243	Solenoid valve coil	P631205X01	2	2			NEV,<SV1,2>	
109	R61 Y08 243	Solenoid valve coil	P631249X01	1	1			ST,<SV3>	
110	R61 Y21 484	Accumulator ass'y	W268910G01	1	1				
111	R61 Y08 487	Oil separator ass'y	W639814G02	1	1				
112	R61 E90 494	Pipe ass'y	W619465G04	1					
113	R61 E91 494	Pipe ass'y	W619465G05		1				
114	R61 Y08 425	Capillary tube processing	W883148G01	1	1			0.6X2.4-900	
115	R61 Y07 425	Capillary tube ass'y	W883531G01	1	1			1.2X3-2000	
116	R61 H79 425	Capillary tube processing	W869801G01	1	1			0.8X2.4-2000	
117	R61 670 202	Thermistor	P425496X01	5	5			NTH3A14,<TH5~9>	
118	R61 671 202	Thermistor	P425439X01	1	1			<TH1>	
119	R61 F14 200	Thermistor	P425565X01	1	1			<TH2>	
120	R61 375 200	Thermistor	P425438X01	1	1			<TH10>	
121	R61 A42 287	Sensor cover	P227170X01	1	1			EVA,6.35D	
122	R61 A45 287	Sensor cover	P227171X01	2	2			EVA,12.7D	
123	R61 A43 287	Sensor cover	P227172X01	2	2			EVA,16D	
124	R61 F14 413	Check joint	P639131X01	2	2				
125	R61 H50 514	Packing	W857909H02	1	1			T/# 1991-NF	
126	R61 Y08 262	Belt heater	P493642X02	1	1			240V 45W,<CH1>	
127	R61 F14 410	Ball valve	P636220X01	1	1			1/2	
128	R61 F14 411	Ball valve	P636219X01	1	1			1flange	
129	R61 G48 401	Linear expansion valve	P632342X01	2	2			DKV-24	
130	R61 A45 401	Linear expansion valve coil	P632299X01	1	1			<LEV1>	
131	R61 A45 402	Linear expansion valve coil	P632298X01	1	1			<SLEV>	
132	R61 155 454	Strainer	P643209X01	2	2			6.35D	
133	R61 A42 454	Strainer	P643210X01	3	3			9.52D	
134	R61 Y02 454	Strainer	W858399G01	1	1				
135	R61 G03 405	Dryer	P641080X01	1	1				
136	R61 Y01 850	Insulator	W628447H02	1	1				
137	R61 Y02 850	Insulator	W861746H02	1	1				
138	R69 963 478	Scroll compressor	EP10013G08	1	1			HEV92FA1-YB,<MC>	

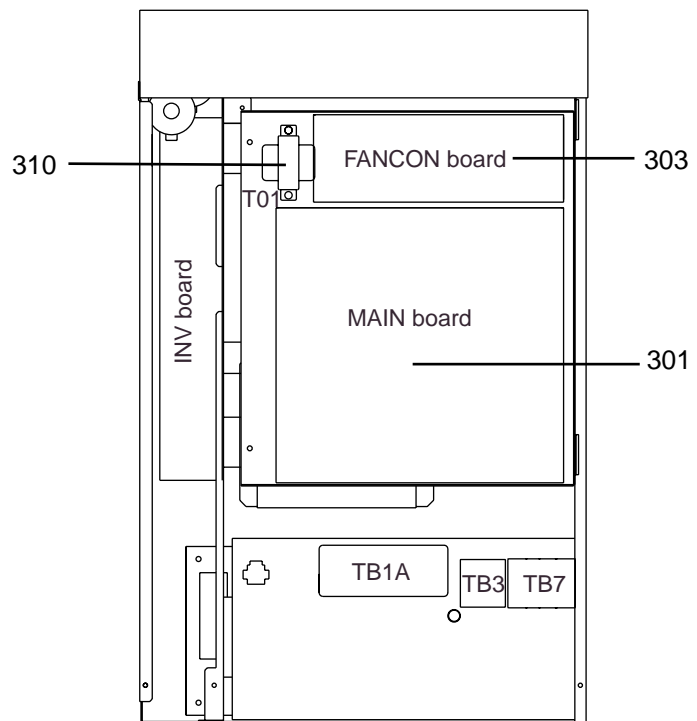
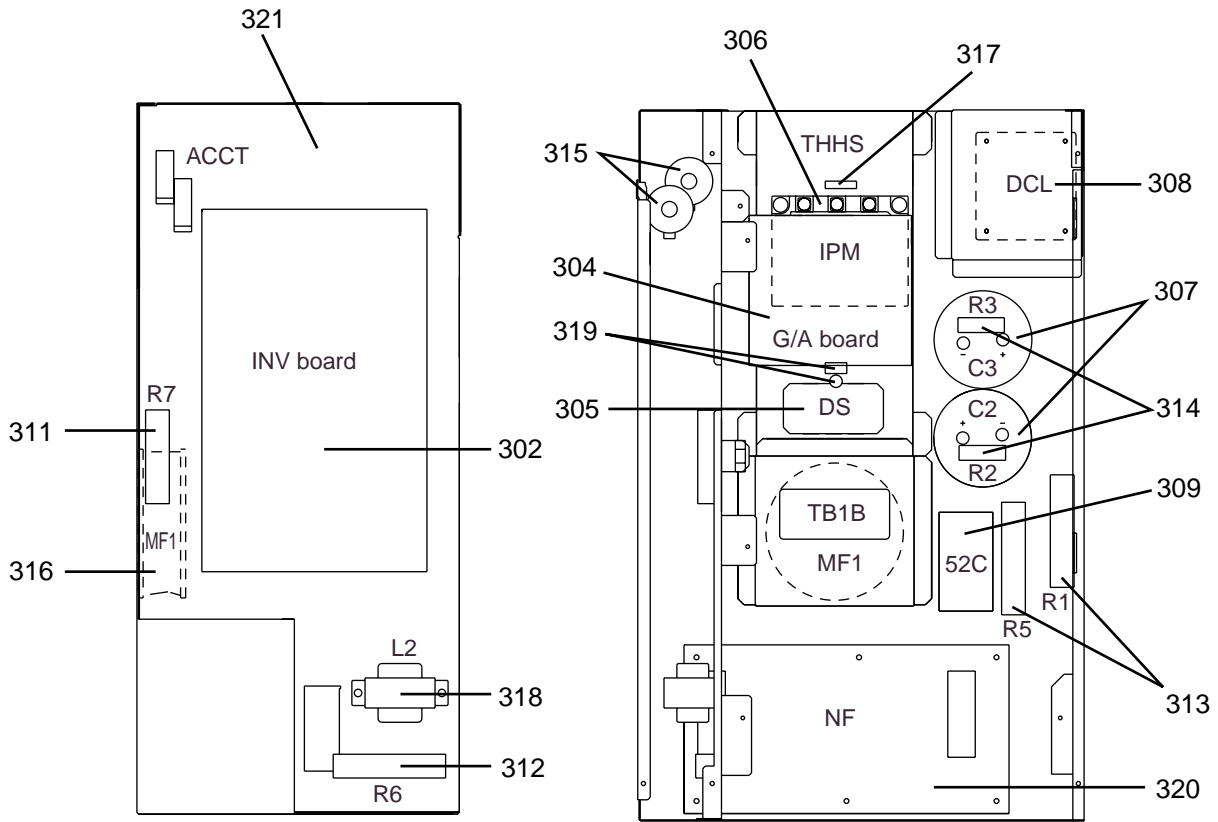
PUHY-P200YMF-C
 PUHY-P250YMF-C
 FUNCTIONAL PARTS



PUHY-P200YMF-C
 PUHY-P250YMF-C
 FUNCTIONAL PARTS

No.	Part No.	Part Name	Dwg. No.	Q'ty / Set				Spec.	Price
				PUHY -P200 YMF-C	PUHY -P250 YMF-C				
201	R61 Y06 208	Pressure switch	P426258X02	1	1			ACB-1TB 10W,<63H>	
202	R61 331 288	Pressure sensor	P419110X01	1	1			<63HS>	
203	R61 G35 288	Pressure sensor	P419129X01	1	1			<63LS>	
204	R61 F14 418	Check valve	P639130X01	1	1				
205	R61 G35 403	Four way valve	P633107X01	1	1			VH6100F	
206	R61 Y07 242	Four way valve coil	P633106X01	1	1			<21S4>	
207	R61 435 232	Solenoid valve	P631807X02	2	2			NEV-202DXF	
208	R61 G57 232	Solenoid valve	P631227X02	1	1			ST66PF	
209	R61 449 232	Solenoid valve	P631818X03	1	1				
210	R61 Y04 243	Solenoid valve coil	P631205X01	2	2			NEV,<SV1,2>	
211	R61 Y08 243	Solenoid valve coil	P631249X01	1	1			ST,<SV3>	
212	R61 Y03 232	Solenoid valve coil	P631246X01	1	1			SB18,<SV4>	
213	R61 Y21 484	Accumulator ass'y	W268910G01	1	1				
214	R61 Y08 487	Oil separator ass'y	W639814G02	1	1				
215	R61 E90 494	Pipe ass'y	W619465G04	1					
216	R61 E91 494	Pipe ass'y	W619465G05		1				
217	R61 Y08 425	Capillary tube processing	W883148G01	1	1			0.6X2.4-900	
218	R61 Y07 425	Capillary tube ass'y	W883531G01	1	1			1.2X3-2000	
219	R61 H79 425	Capillary tube processing	W869801G01	1	1			0.8X2.4-2000	
220	R61 670 202	Thermistor	P425496X01	5	5			NTH3A14,<TH5~9>	
221	R61 671 202	Thermistor	P425439X01	1	1			<TH1>	
222	R61 F14 200	Thermistor	P425565X01	1	1			<TH2>	
223	R61 375 200	Thermistor	P425438X01	1	1			<TH10>	
224	R61 A42 287	Sensor cover	P227170X01	1	1			EVA,6.35D	
225	R61 A45 287	Sensor cover	P227171X01	2	2			EVA,12.7D	
226	R61 A43 287	Sensor cover	P227172X01	2	2			EVA,16D	
227	R61 F14 413	Check joint	P639131X01	2	2				
228	R61 H50 514	Packing	W857909H02	1	1			T/# 1991-NF	
229	R61 Y08 262	Belt heater	P493642X02	1	1			240V 45W,<CH1>	
230	R61 F14 410	Ball valve	P636220X01	1	1			1/2	
231	R61 F14 411	Ball valve	P636219X01	1	1			1flange	
232	R61 G48 401	Linear expansion valve	P632342X01	2	2			DKV-24	
233	R61 A45 401	Linear expansion valve coil	P632299X01	1	1			<LEV1>	
234	R61 A45 402	Linear expansion valve coil	P632298X01	1	1			<SLEV>	
235	R61 155 454	Strainer	P643209X01	2	2			6.35D	
236	R61 A42 454	Strainer	P643210X01	4	4			9.52D	
237	R61 Y02 454	Strainer	W858399G01	1	1				
238	R61 G03 405	Dryer	P641080X01	1	1				
239	R61 Y01 850	Insulator	W628447H02	1	1				
240	R61 Y02 850	Insulator	W861746H02	1	1				
241	R69 963 478	Scroll compressor	EP10013G08	1	1			HEV92FA1-YB,<MC>	

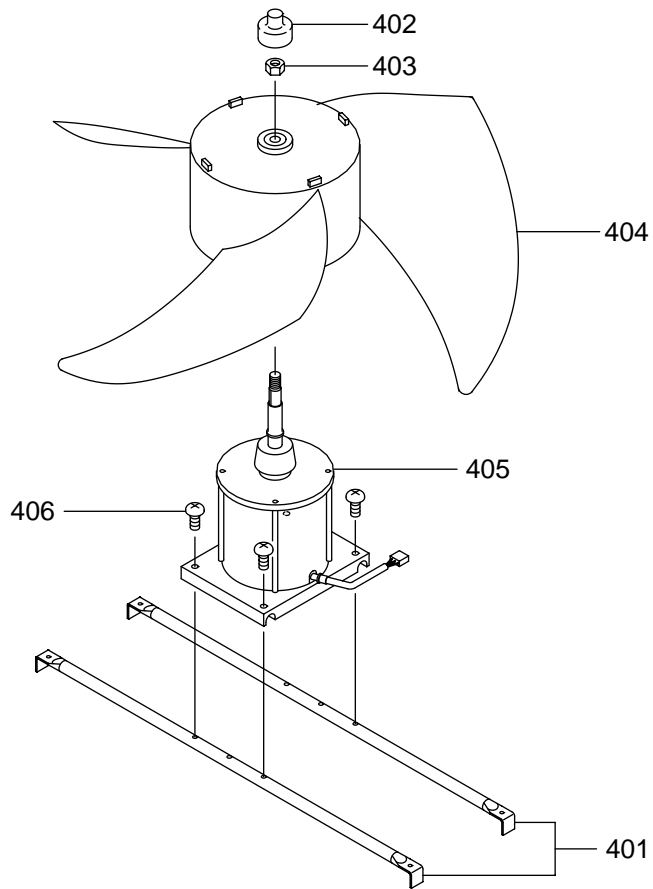
PUY-P200,P250YMF-C
 PUHY-P200,P250YMF-C
 CONTROL BOX PARTS



PUY-P200,P250YMF-C
 PUHY-P200,P250YMF-C
 CONTROL BOX PARTS

No.	Part No.	Part Name	Dwg. No.	Q'ty / Set				Spec.	Price
				PUY -P200 YMF-C	PUY -P250 YMF-C	PUHY -P200 YMF-C	PUHY -P250 YMF-C		
301	R61 Y75 280	Main board	W266235G11	1	1	1	1		
302	R61 Y67 280	INV board	W639915G01	1	1	1	1		
303	R61 Y65 280	Fan controller board	W639913G01	1	1	1	1		
304	R61 Y66 280	G/A board	W639914G01	1	1	1	1		
305	R61 Y09 320	Diode	S414032H06	1	1	1	1	DF60LB160	
306	R61 Y03 249	IPM	W848413G04	1	1	1	1	6MBP50RA120	
307	R61 Y18 252	Capacitor	P412265X01	2	2	2	2	400WV,4700μF<C2,3>	
308	R61 Y01 259	Reactor	P419149X01	1	1	1	1	1.92mH/34A<DCL>	
309	R61 Y19 225	Magnet contactor	S427017H31	1	1	1	1	S-N18,AC230V<52C>	
310	R61 Y14 260	Transformer	P715302X01	1	1	1	1	240V/40V<T1>	
311	R61 670 234	Resistor	P411113X01	1	1	1	1	30W,22Ω<R7>	
312	R61 A42 234	Resistor	W237975K23	1	1	1	1	40W,110Ω<R6>	
313	R61 Y05 234	Resistor	P411133X01	2	2	2	2	40W,5kΩ<R1,5>	
314	R61 Y02 234	Resistor	P411126X01	2	2	2	2	10W,33kΩ,pitch=32<R2,3>	
315	R61 Y02 249	ACCT	W639917G01	1	1	1	1	DJ-6	
316	R61 Y15 118	Fan	W639916G01	1	1	1	1	109S25UL	
317	R61 375 201	Thermistor	P414092X01	1	1	1	1	181-503-97134	
318	R61 Y02 244	Choke coil	P419121X01	1	1	1	1	1A,30mH	
319	R61 Y12 252	ZNR+C	P412226X01	1	1	1	1		
320	R61 Y08 293	NF VF4030C-MX2	P419147X01	1	1	1	1		
321	R61 Y08 305	Control box	W266294G03	1	1	1	1		

PUY-P200,P250YMF-C
 PUHY-P200,P250YMF-C
 BLOWER PARTS



No.	Part No.	Part Name	Dwg. No.	Q'ty / Set				Spec.	Price
				PUY -P200 YMF-C	PUY -P250 YMF-C	PUHY -P200 YMF-C	PUHY -P250		
401	R61 A42 140	Fan stand	W856127G05	2	2	2	2		
402	R61 A69 086	Cap	P221056X01	1	1	1	1		
403	R61 A42 122	Nut 16	P541016X01	1	1	1	1		
404	R61 E66 115	Propeller fan	W872619G01	1	1	1	1	750D	
405	R61 Y33 221	Motor	P714762X01	1	1	1	1	YD380VB<MF>	
406	R61 E90 087	Screw	P521020X01	4	4	4	4	6X14	

