

# SERVICE PARTS LIST FOR MITSUBISHI ELECTRIC REPLACE MULTI

**Series : PUHY-P•YREM-A  
PAC-KP90VCLU**

**For use with the R407C**

**REVISED**

**June 2006**

**BWE0403A**

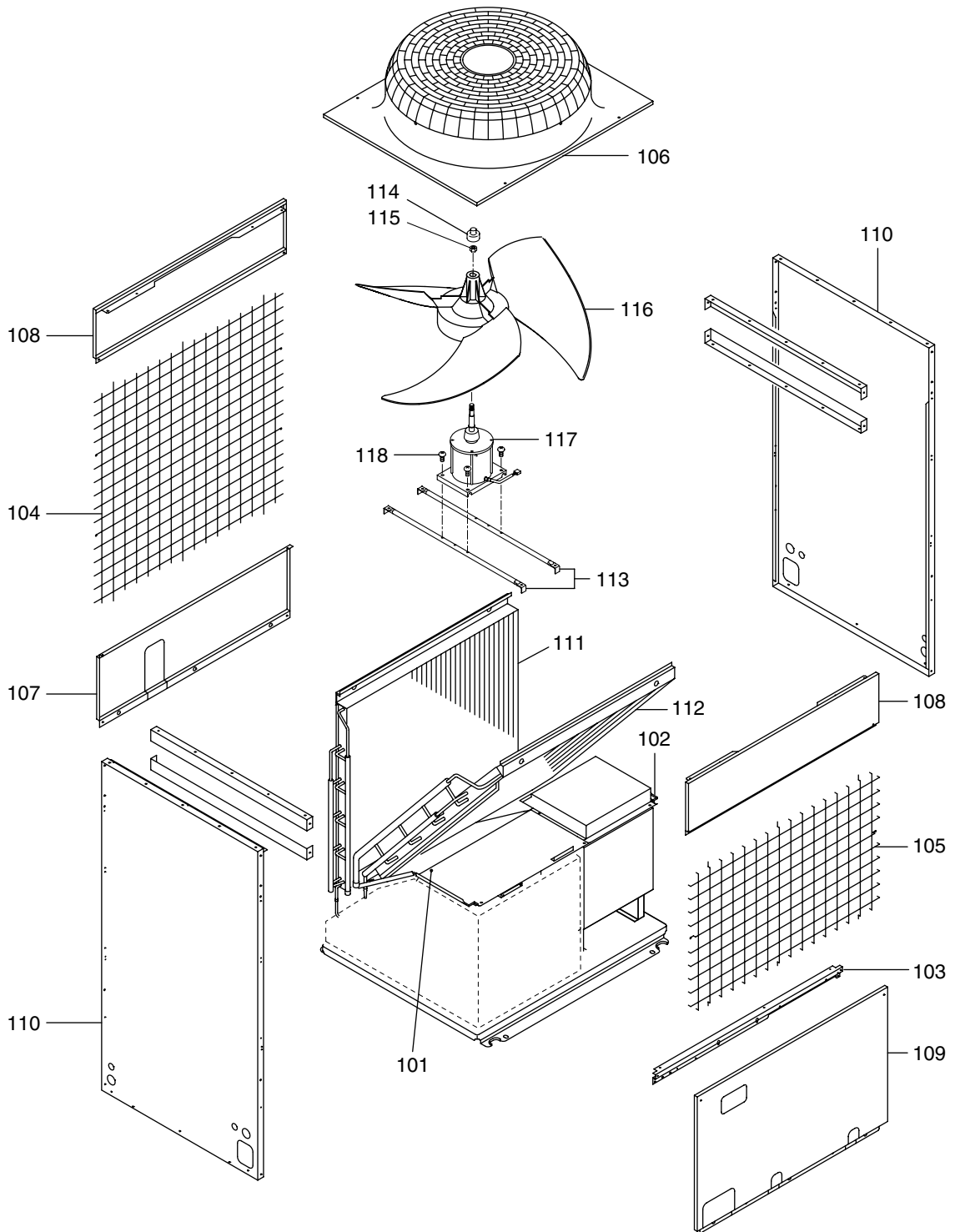
## INDEX

**PUHY-P200YREM-A  
PUHY-P250YREM-A  
PAC-KP90VCLU**



PUHY-P200YREM-A  
PUHY-P250YREM-A

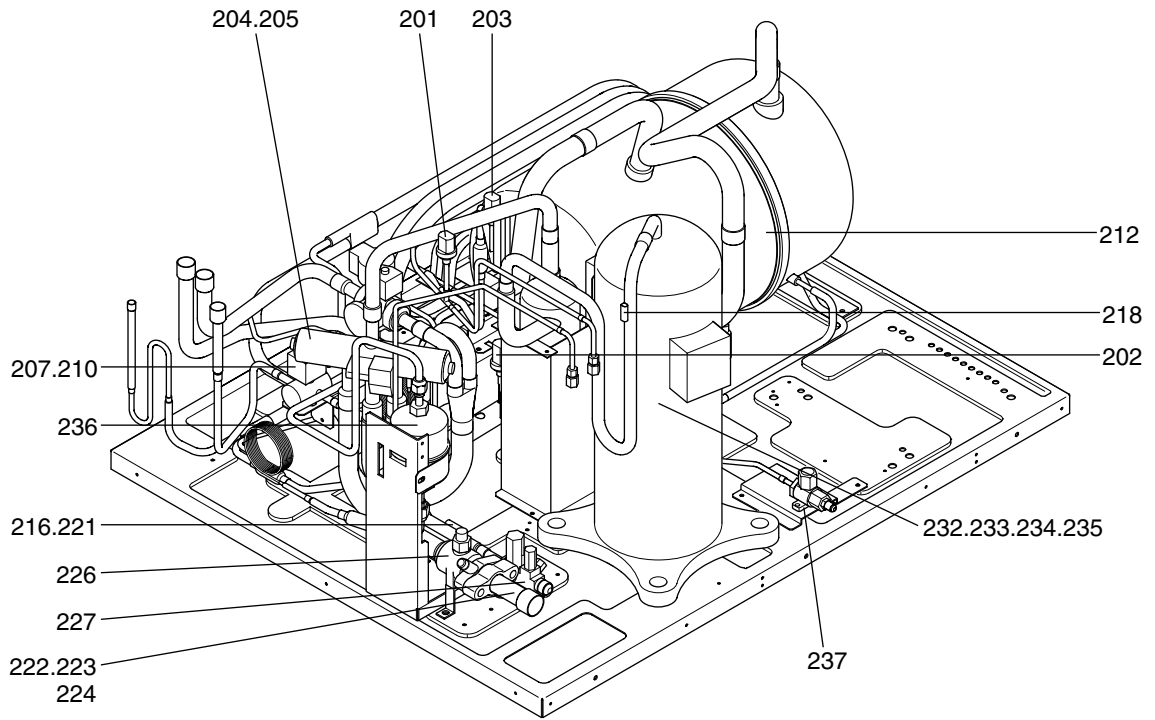
EXTERNAL PARTS



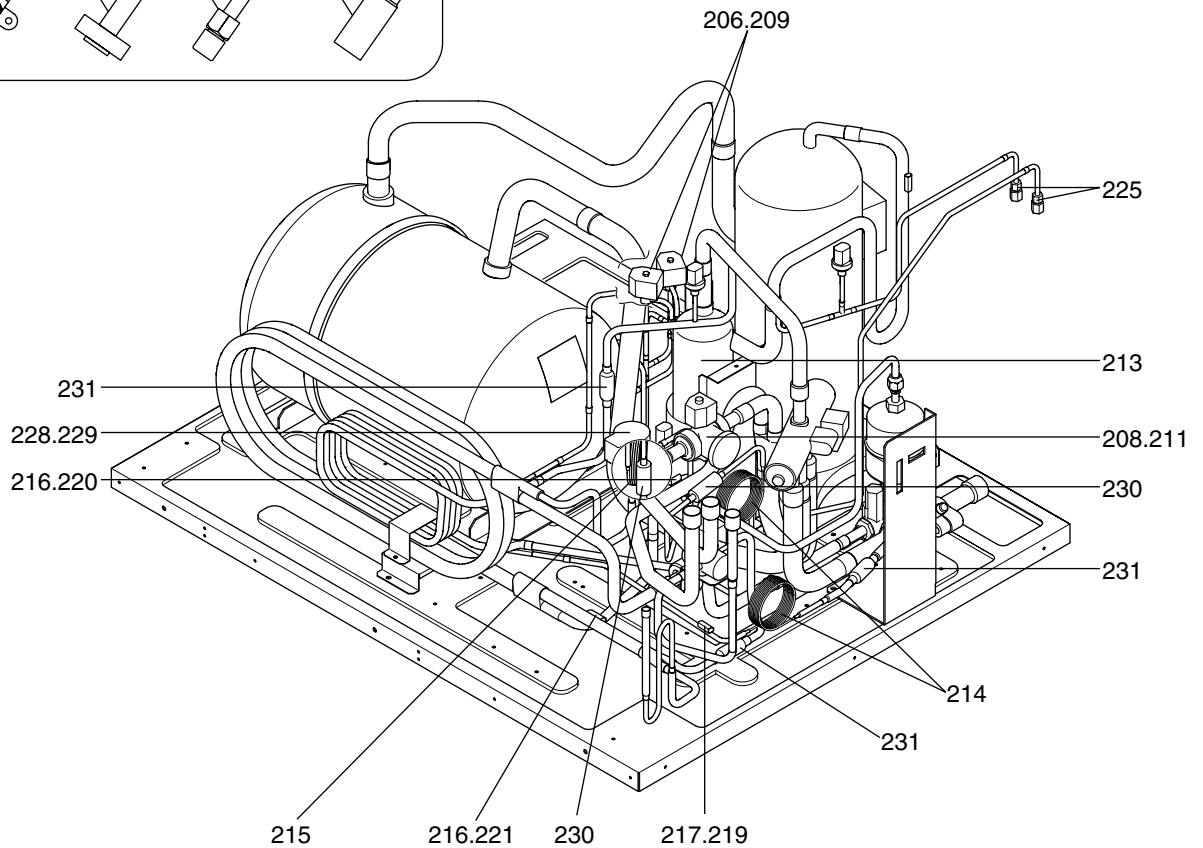
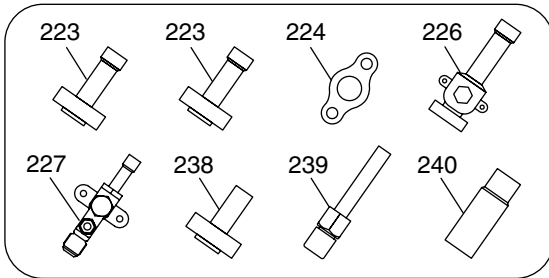


PUHY-P200YREM-A  
 PUHY-P250YREM-A

FUNCTIONAL PARTS



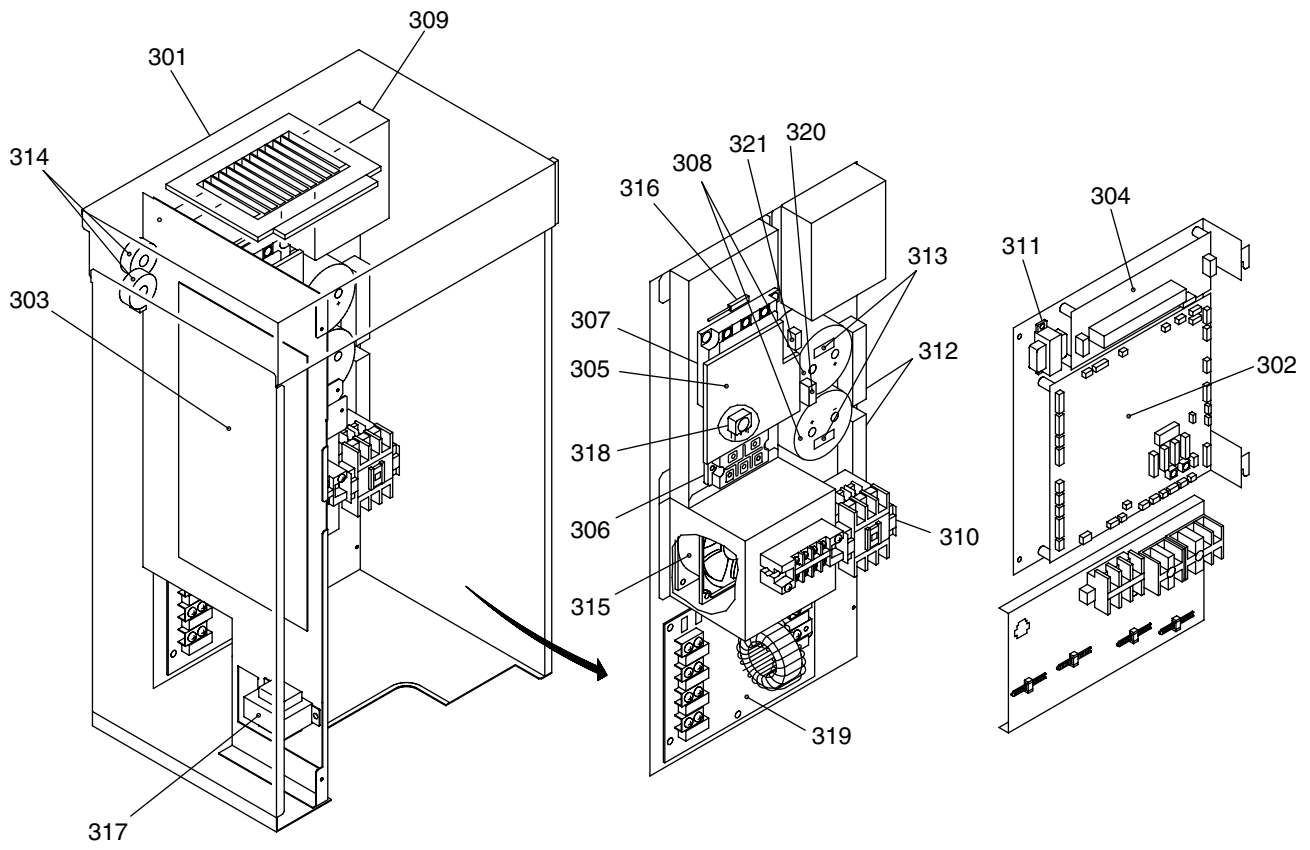
accessories



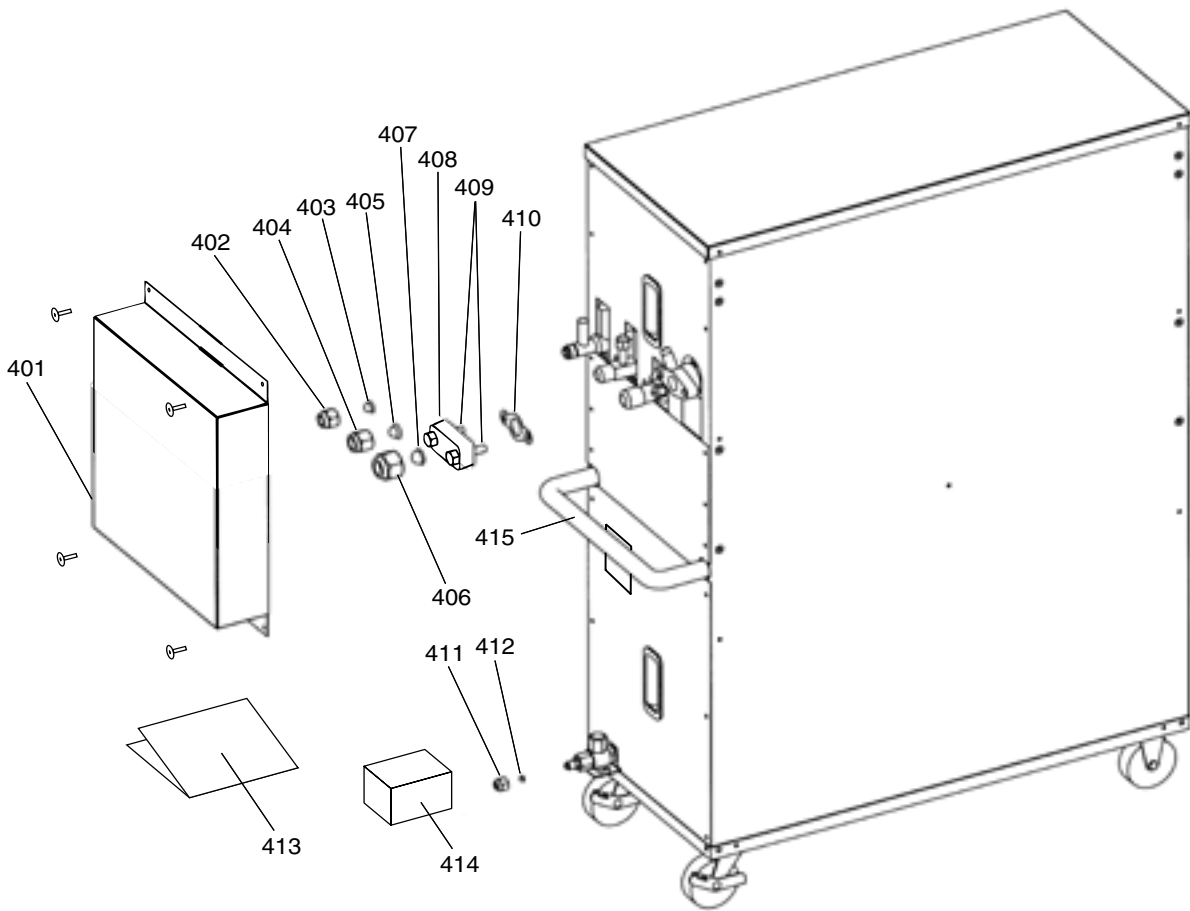
No.	Part No.	RoHS Compliant : G		Spec.	PUHY-P200YREM-A	PUHY-P250YREM-A			Dwg. No.	Price	Revision History
			Part Name								
201	R63 Y09 208	G	Pressure switch	<63H>	1	1					A
202	R63 N78 288	G	Pressure sensor	<63LS>	1	1					A
203	R63 N79 288	G	Pressure sensor	<63HS>	1	1					A
204	R63 R34 154	G	Four way valve	VH6100F	1	1					A
205	R63 Y07 242	G	Four way valve coil	<21S4>	1	1					A
206	R63 435 232	G	Solenoid valve	NEV202DXF	2	2					A
207	R63 449 232	G	Solenoid valve		1	1					A
208	R63 G57 232	G	Solenoid valve	ST66PF	1	1					A
209	R63 Y04 243	G	Solenoid valve coil		2	2					A
210	R63 Y03 232	G	Solenoid valve coil	SB18, <SV4>	1	1					A
211	R63 Y08 243	G	Solenoid valve coil	ST, <SV3>	1	1					A
212	R63 Y31 484	G	Accumulator		1	1					A
213	R63 M23 487	G	Oil separator		1	1					A
214	R63 L85 425	G	Capillary tube		2	2					A
215	R63 Y07 425	G	Capillary tube		1	1					A
216	R63 670 202	G	Thermistor	NTH3A14, <TH5,6,7,8>	4	4					A
217	R63 F14 200	G	Thermistor	<TH2>	1	1					A
218	R63 671 202	G	Thermistor	<TH1>	1	1					A
219	R63 A42 287	G	Sensor cover	EVA,6.35D	1	1					A
220	R61 A45 287	G	Sensor cover	EVA,12.7D	1	1					A
221	R61 A43 287	G	Sensor cover	EVA,16D	2	2					A
222	R63 9F3 441	G	Pipe assy		1						A
223	R63 9F2 442	G	Pipe assy		2	3					A
224	R61 F14 514	G	Packing	T/#1991-NF	2	2					A
225	R63 F14 413	G	Check joint		2	2					A
226	R63 Y11 410	G	Ball valve	P-25.4	2	2					A
227	R63 N79 410	G	Ball valve	B1/2F	2	2					A
228	R63 N78 401	G	Linear expansion valve	ZCAM	1	1					A
229	R63 N78 402	G	Linear expansion valve coil	<LEV1>	1	1					A
230	R63 155 454	G	Strainer	6.35D	2	2					A
231	R63 A42 454	G	Strainer	9.52D	3	3					A
232	R66 A20 478	G	Scroll compressor	HEB92FA-YRB	1	1					A
233	R61 Y08 262	G	Belt heater	240V 45W, <CH1>	1	1					A
234	R63 Y01 850	G	Insulator		1	1					A
235	R63 Y02 850	G	Insulator		1	1					A
236	R63 M57 405	G	Drier		1	1					A
237	R63 M03 410	G	Ball valve	A1 / 4F	1	1					A
238	R63 Y09 494	G	Pipe assy		1	1					A
239	R63 Y02 490	G	Joint assy		1	1					A
240	R63 Y03 490	G	Joint L		1	1					A

PUHY-P200YREM-A  
PUHY-P250YREM-A

### CONTROL BOX PARTS

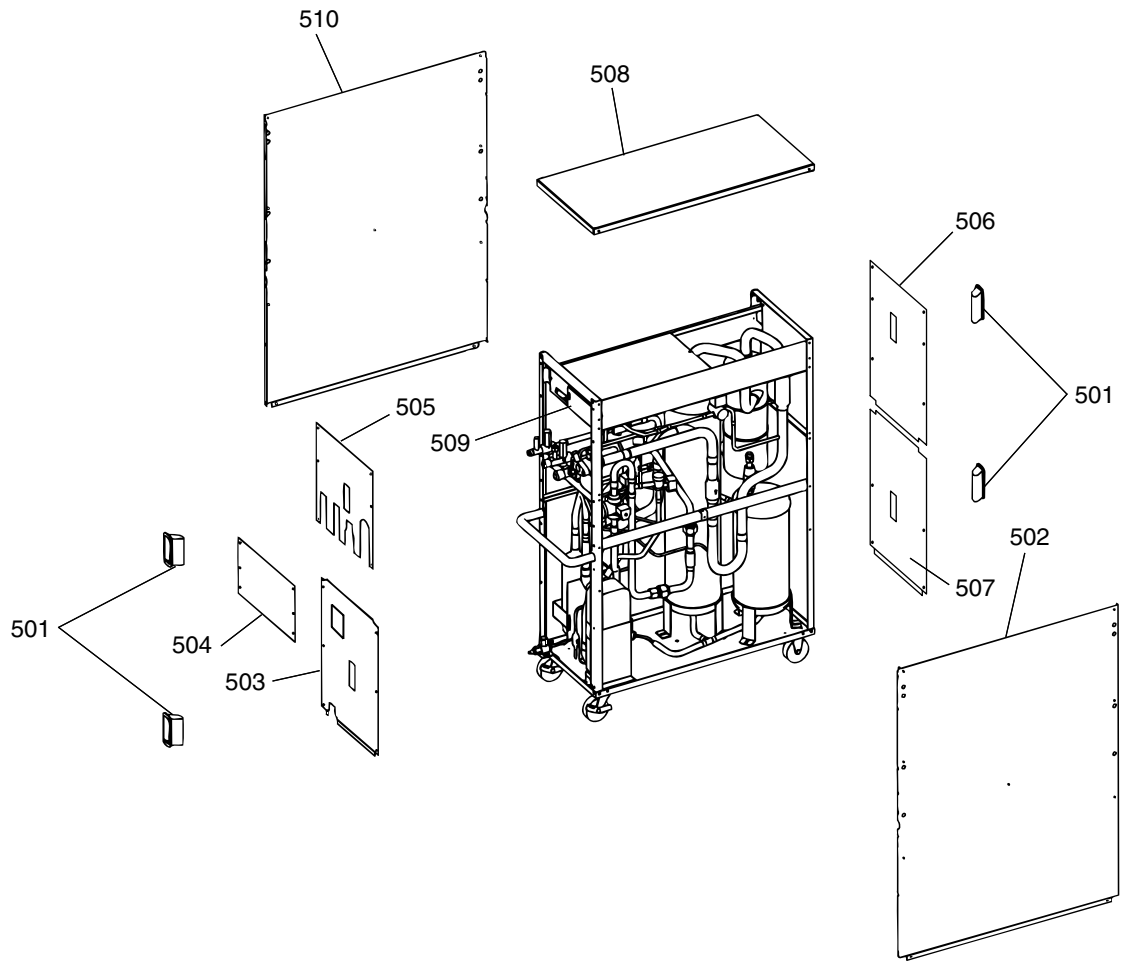


No.	Part No.	RoHS Compliant : G		Spec.	PUHY-P200YREM-A	PUHY-P250YREM-A			Dwg. No.	Price	Revision History
			Part Name								
301	R63 Y15 305	G	Control box		1	1					A
302	R63 Y44 281	G	Main board		1	1					A
303	R63 Y21 321	G	INV board		1	1					A
304	R63 Y01 251	G	Fan controller board		1	1					A
305	R63 Y43 280	G	G/A board		1	1					A
306	R63 Y12 320	G	Diode	DF60LB160	1	1					A
307	R63 Y04 249	G	IPM (Power module)	6MBP50RA120	1	1					A
308	R63 Y18 252	G	Capacitor	400WV,4700μF <C2,3>	2	2					A
309	R63 Y01 259	G	Reactor	1.92mH/34A <DCL>	1	1					A
310	R63 Y28 225	G	Magnet contactor	PAK-21J,AC240V <52C>	1	1					A
311	R63 Y14 260	G	Transformer	240V/40V <T1>	1	1					A
312	R63 Y06 234	G	Resistor	40W,47Ω <R1,5>	2	2					A
313	R63 Y02 234	G	Resistor	10W,33kΩ,pitch=32 <R2,3>	2	2					A
314	R63 Y02 287	G	AC current sensor	CHJ038CP2B	1	1					A
315	R63 Y15 118	G	Fan	109S025UL	1	1					A
316	R63 F14 201	G	Thermistor		1	1					A
317	R63 R40 259	G	Choke coil	12MH 2A	1	1					A
318	R63 L85 252	G	Capacitor assy		1	1					A
319	R63 Y10 293	G	Noise filter	CF4030C-MX2	1	1					A
320	R63 A42 289	G	DC current sensor		1	1					A
321	R63 Y24 252	G	Capacitor	<C4>	1	1					A

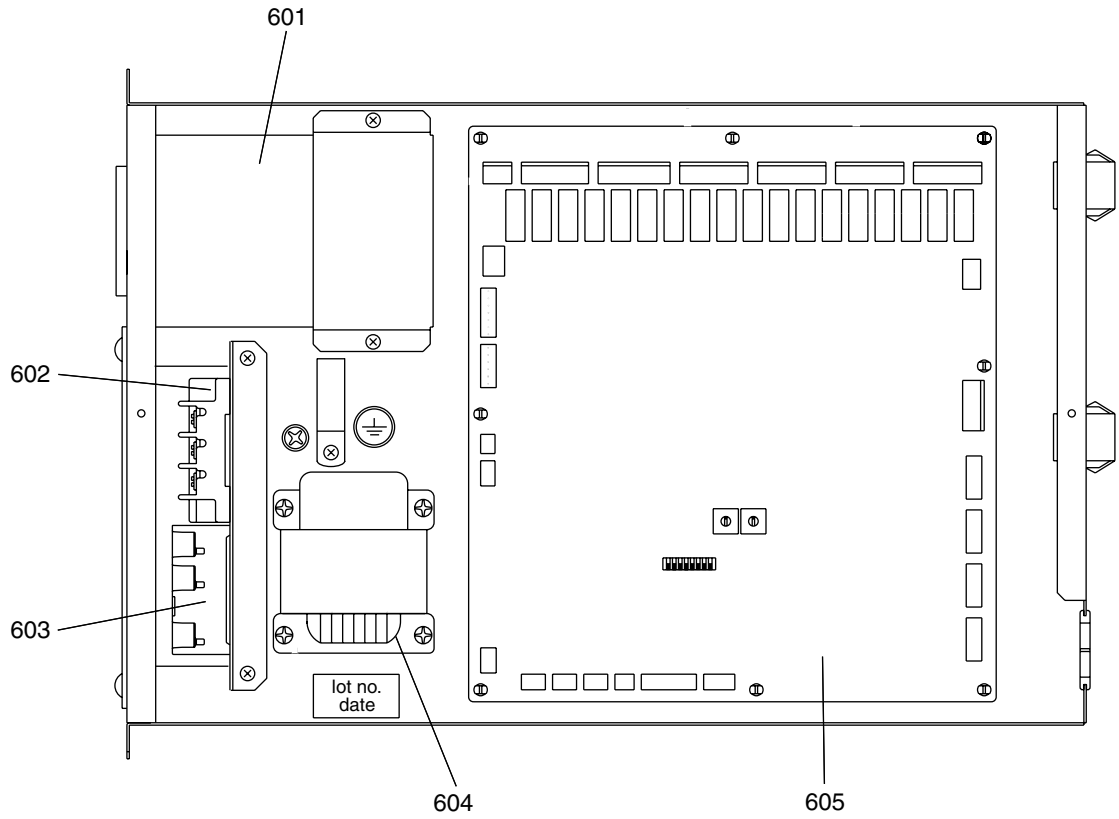


No.	Part No.	RoHS Compliant : G		Spec.	PAC-KP90VCLU			Dwg. No.	Price	Revision History
			Part Name							
401	R63 M03 667	G	Panel cover		1					A
402	R63 M03 122	G	Flare nut	3/4	1					A
403	R63 M03 812	G	Cap	3/4	1					A
404	R63 M04 122	G	Flare nut	5/8	1					A
405	R63 M04 812	G	Cap	5/8	1					A
406	R63 M03 134	G	Flare nut	1/2	1					A
407	R63 M03 813	G	Cap	1/2	1					A
408	R63 M03 457	G	Flange		1					A
409	R63 M04 306	G	Bolt	10x40	2					A
410	R61 F14 514	G	Gasket		1					A
411	R63 M04 134	G	Flare nut	1/4	1					A
412	R61 M04 813	G	Cap	1/4	1					A
413	R63 M03 622	G	Low temperature hood		1					A
414	R63 Y12 410	G	Ball valve cover		1					A
415	R63 Y01 030	G	Handle		2					A





No.	Part No.	RoHS Compliant : G		Spec.	PAC-KP90VCLU			Dwg. No.	Price	Revision History
			Part Name							
501	R63 K46 030	G	Handle grip		4					A
502	R63 Y26 652	G	Panel front,back		1					A
503	R63 Y27 652	G	Panel left 1		1					A
504	R63 M04 663	G	Panel left 3		1					A
505	R63 M03 664	G	Panel left 4		1					A
506	R63 Y28 652	G	Panel right 1		1					A
507	R63 Y29 652	G	Panel right 2		1					A
508	R63 M03 641	G	Panel top		1					A
509	R63 M03 465	G	Brock plate		1					A
510	R63 Y30 652	G	Panel back assy		1					A



No.	Part No.	RoHS Compliant : G		Spec.	PAC-KP90VCLU			Dwg. No.	Price	Revision History
			Part Name							
601	R63 Y01 325	G	SF55MN assy		1					A
602	R63 Y02 715	G	Terminal block (Control)	<TB02>	1					A
603	R63 979 247	G	Terminal block (Power source)	<TB01>	1					A
604	R63 Y20 260	G	Transformer	240V/24.2V	1					A
605	R63 M03 280	G	Board assy		1					A

