



# PUHY-P250YREM-A

Replace Multi Y Series 10hp Outdoor Unit

R407c Heat Pump



Enables the replacement of existing VRF systems whilst utilising existing R22 pipework

Following in the path of our split systems, Mitsubishi Electric now bring you its unique Replace Technology in the VRF field. Replace Multi is specifically designed to enable the reuse of existing R22 pipework, whilst also allowing the upgrade to some of the most efficient systems available in the market. Replace Multi will clean the existing pipework during commissioning, removing any deposits that would have ordinarily meant that new pipework would have been called for. The implications of this are significant savings on cost and time, whilst also minimising any potential disruption.

- **Efficient use of existing resources (refrigerant piping, control and power wiring) and less waste materials**
- **Reduced installation costs of up to 60%**
- **Reduced installation time & minimised disruption**
- **Increased energy efficiency, 30 to 40% more efficient than an old R22 system**



Pictures not to scale

## Product Details

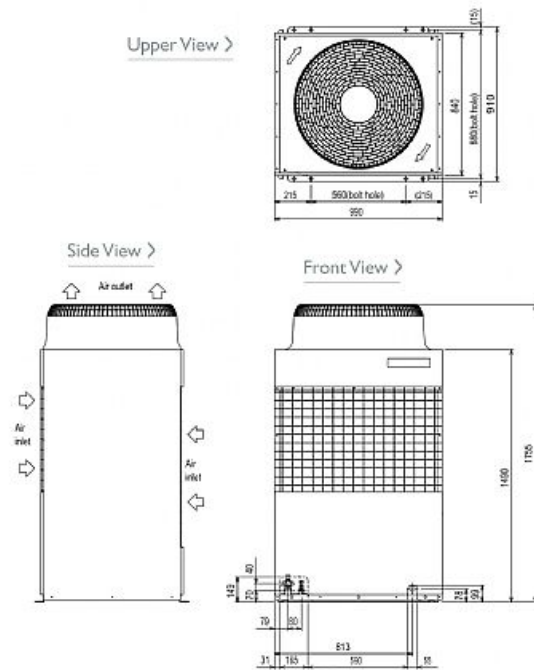
PUHY-P250YREM-A	
Capacity (kW):	
Heating (Nominal)	31.5
Cooling (Nominal)	28.0
Heating (UK)	29.1
Cooling (UK)	26.6
Power Input (kW) Heating (Nominal)	8.95
Power Input (kW) Cooling (Nominal)	8.54
Power Input (kW) Heating (UK)	9.17
Power Input (kW) Cooling (UK)	5.29
Max No. of Connectable Indoor Units	16
Airflow (m <sup>3</sup> /min)	200
Noise (dBA)	57
Width - mm	990
Depth - mm	940 (910)
Height - mm	1755
Weight - kg	239
Electrical Supply	380-415v, 50Hz
Phase	3
Mains Cable No. Cores	4 + earth
Starting Current (A)	8
Running Current (A) - Heating	13.8
Running Current (A) - Cooling	13.2
Fuse Rating (BS88) - HRC (A)	25

## Piping Restrictions

Total Piping Length (m)	240
Furthest Piping Length (m)	120
Furthest Piping Length after 1st Branch (m)	40
Between Indoor and Outdoor Units - Height (m)	50
Between Indoor and Indoor Units - Height (m)	15

## Dimensions

PUHY-P250YREM-A



Telephone: 01707 282880

Email: [air.conditioning@meuk.mee.com](mailto:air.conditioning@meuk.mee.com) Website: <http://www.mitsubishielectric.co.uk/aircon>

Mitsubishi Electric reserves the right to make any variation in technical specification to the equipment described, or to withdraw or replace products without prior notification or public announcement.

Tel:  
Fax:

