

SERVICE PARTS LIST FOR MITSUBISHI ELECTRIC REPLACE MULTI

**Series PUHY-P-YREM-A
PAC-KP90VCLU**

For use with the R407C

Apr. 2004

INDEX

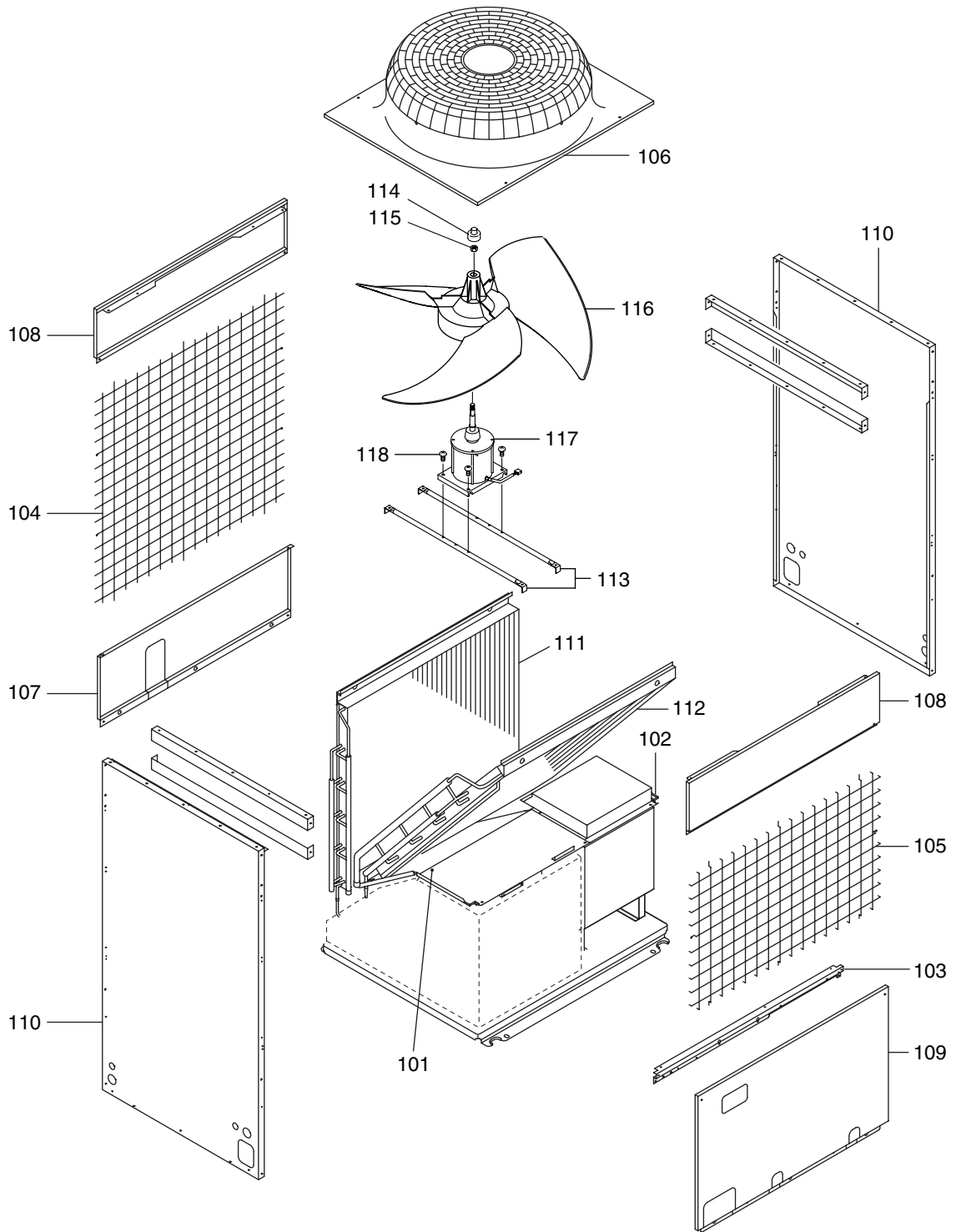
PUHY-P200YREM-A

PUHY-P250YREM-A

PAC-KP90VCLU

PUHY-P200YREM-A
PUHY-P250YREM-A

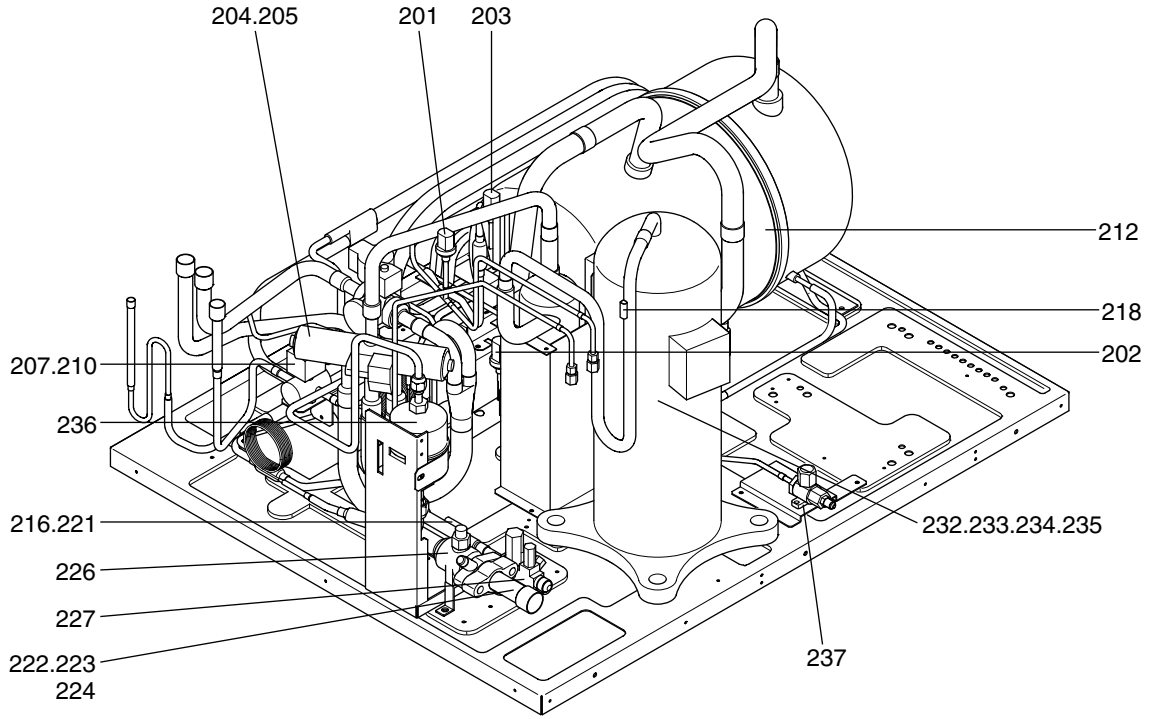
EXTERNAL PARTS



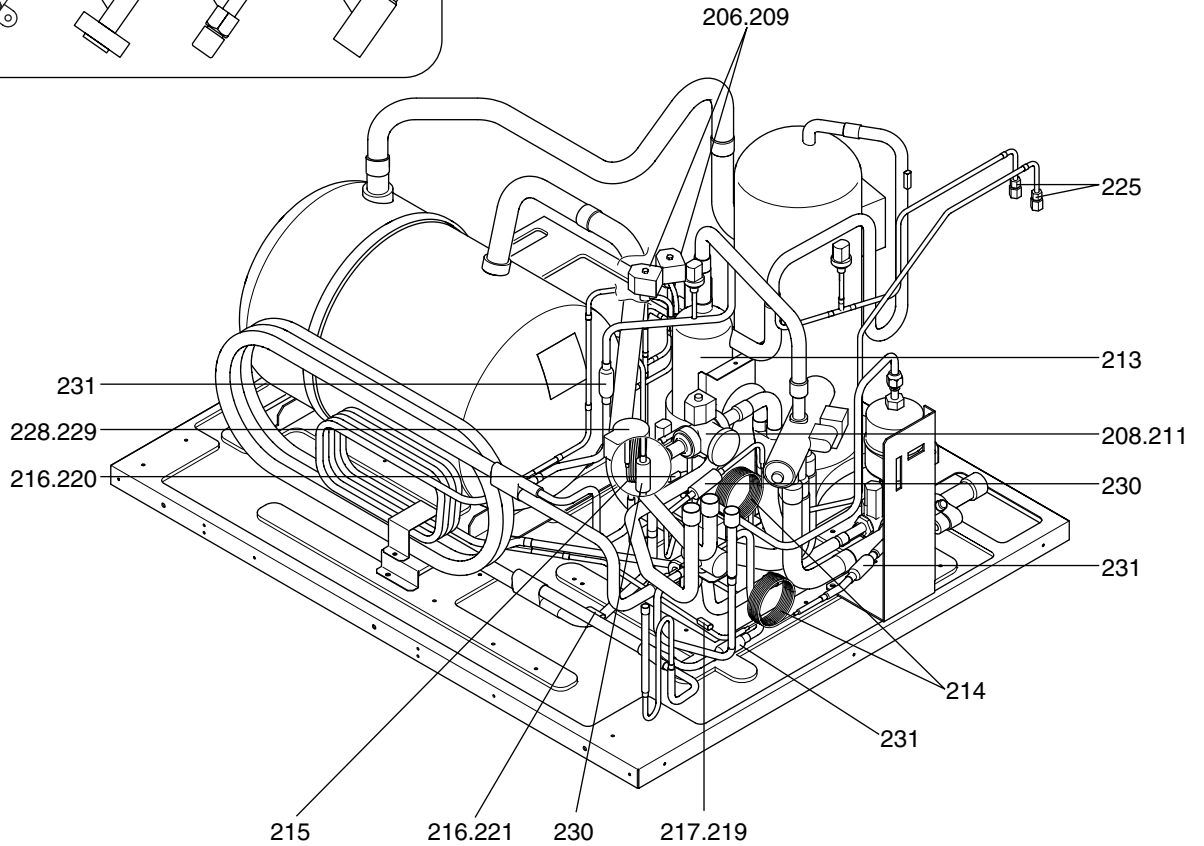
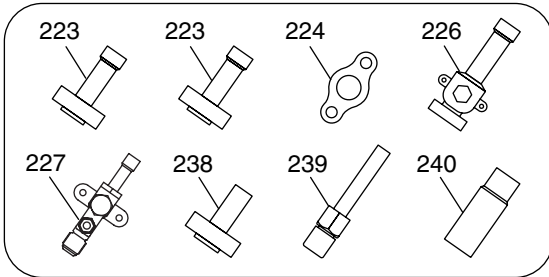
No.	Part No.	Part Name	Spec.	-P200YREM-A	-P250YREM-A						Dwg. No.	Price
101	R61 Y06 629	Partition board L		1	1						W639800G01	
102	R61 Y20 629	Partition board R		1	1						W639809G03	
103	R61 Y04 659	Front panel		1	1						W627844H02	
104	R61 A42 638	Guard B		1	1						W265789G01	
105	R61 E66 611	Guard F		1	1						W265788G01	
106	R61 N78 118	Fan guard		1	1						W126832G02	
107	R61 M43 677	Panel B		1	1						W857426G21	
108	R61 L78 653	Panel FU		2	2						W633746H06	
109	R61 Y13 652	Panel F		1	1						W857425G26	
110	R61 N78 661	Panel S		2	2						W272421H01	
111	R61 N78 480	Heat exchanger B		1	1						W272407G01	
112	R61 N78 408	Heat exchanger F		1	1						W272406G01	
113	R61 A42 140	Fan stand		2	2						W856127G05	
114	R61 A69 086	Cap		1	1						P221056X01	
115	R61 A42 122	Nut 16		1	1						P541016X01	
116	R61 N78 115	Propeller fan	750D	1	1						W126814G01	
117	R61 Y33 221	Motor	YD380VB<MF>	1	1						P714762X01	
118	R61 E90 087	Screw	6X14	4	4						P521020X01	

PUHY-P200YREM-A
 PUHY-P250YREM-A

FUNCTIONAL PARTS



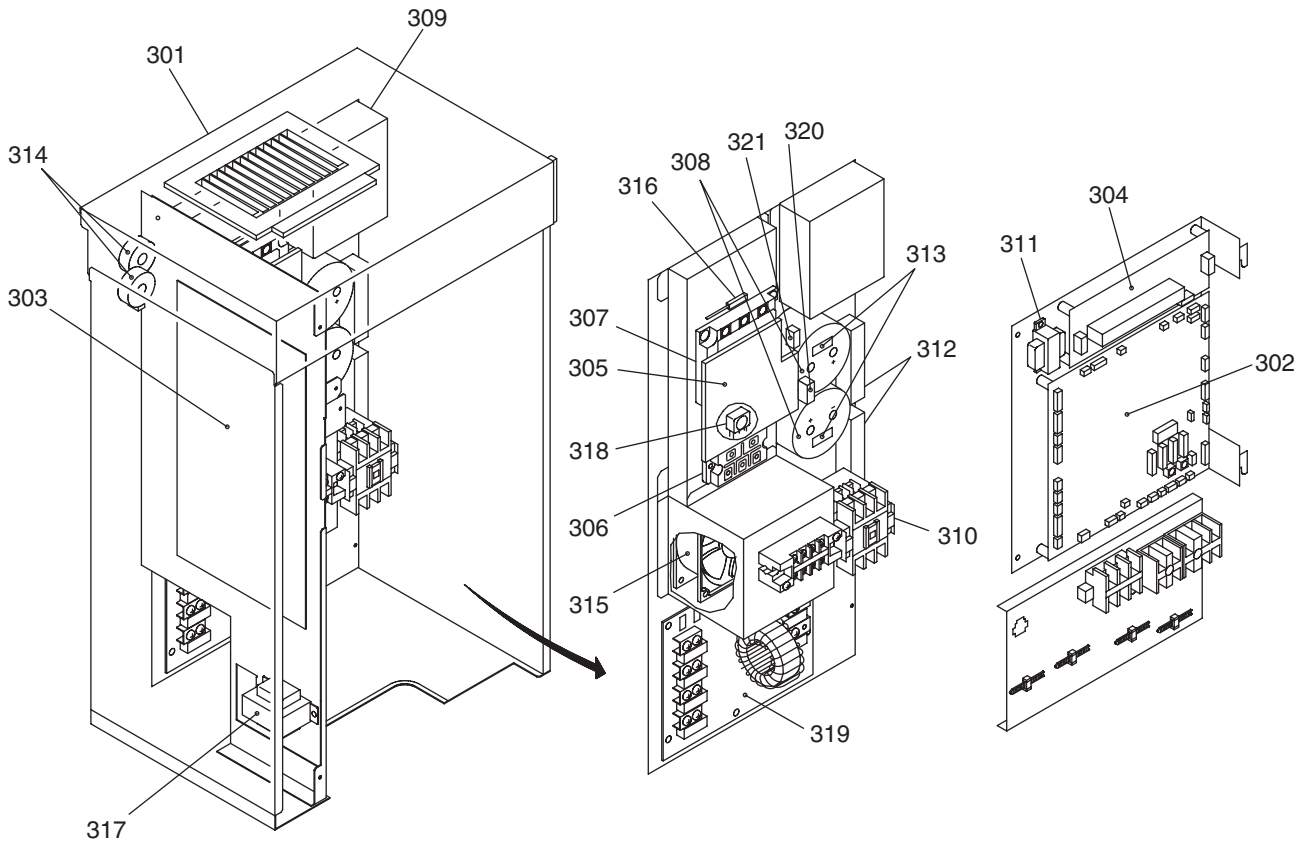
accessories



No.	Part No.	Part Name	Spec.	-P200YREM-A	-P250YREM-A					Dwg. No.	Price
201	R61 Y09 208	Pressure switch	<63H>	1	1					P426300X01	
202	R61 N78 288	Pressure sensor	<63LS>	1	1					P418009X01	
203	R61 N79 288	Pressure sensor	<63HS>	1	1					P418010X01	
204	R61 G35 403	Four way valve	VH6100F	1	1					P633107X03	
205	R61 Y07 242	Four way valve coil	<21S4>	1	1					P633106X01	
206	R61 435 232	Solenoid valve	NEV202DXF	2	2					P631807X02	
207	R61 449 232	Solenoid valve		1	1					P631818X03	
208	R61 G57 232	Solenoid valve	ST66PF	1	1					P631227X02	
209	R61 Y04 243	Solenoid valve coil		2	2					P631205X01	
210	R61 Y03 232	Solenoid valve coil	SB18,<SV4>	1	1					P631246X01	
211	R61 Y08 243	Solenoid valve coil	ST,<SV3>	1	1					P631249X01	
212	R61 Y31 484	Accumulator		1	1					W271964G02	
213	R61 M23 487	Oil separator		1	1					W639808G03	
214	R61 L85 425	Capillary tube		2	2					W888053G01	
215	R61 Y07 425	Capillary tube		1	1					W883531G01	
216	R61 670 202	Thermistor	NTH3A14,<TH5,6,7,8>	4	4					P425496X01	
217	R61 F14 200	Thermistor	<TH2>	1	1					P425565X01	
218	R61 671 202	Thermistor	<TH1>	1	1					P425439X01	
219	R61 A42 287	Sensor cover	EVA,6.35D	1	1					P227170X01	
220	R61 A45 287	Sensor cover	EVA,12.7D	1	1					P227171X01	
221	R61 A43 287	Sensor cover	EVA,16D	2	2					P227172X01	
222	R61 Y05 494	Pipe ass'y		1						W656083G03	
223	R61 Y06 494	Pipe ass'y		2	3					W656083G04	
224	R61 F14 514	Packing	T/#1991-NF	2	2					P321009X01	
225	R61 F14 413	Check joint		2	2					P639131X01	
226	R61 Y11 410	Ball valve	P-25.4	2	2					P636311X01	
227	R61 N79 410	Ball valve	B1/2F	2	2					P636280X01	
228	R61 N78 401	Linear expansion valve	ZCAM	1	1					P632396X01	
229	R61 N78 402	Linear expansion valve coil	<LEV1>	1	1					P632397X01	
230	R61 155 454	Strainer	6.35D	2	2					W882822G01	
231	R61 A42 454	Strainer	9.52D	3	3					W882823G01	
232	R69 A20 478	Scroll compressor	HEB92FA-YRB	1	1					EP10079G06	
233	R61 Y08 262	Belt heater	240V 45W,<CH1>	1	1					P493642X02	
234	R61 Y01 850	Insulator		1	1					W628447H02	
235	R61 Y02 850	Insulator		1	1					W861746H02	
236	R61 M57 405	Drier		1	1					P641114X01	
237	R61 M03 410	Ball valve	A1 / 4F	1	1					P636230X01	
238	R61 Y09 494	Pipe ass'y		1	1					W906974G01	
239	R61 Y02 490	Joint ass'y		1	1					W906972G02	
240	R61 Y03 490	Joint L		1	1					W849801H25	

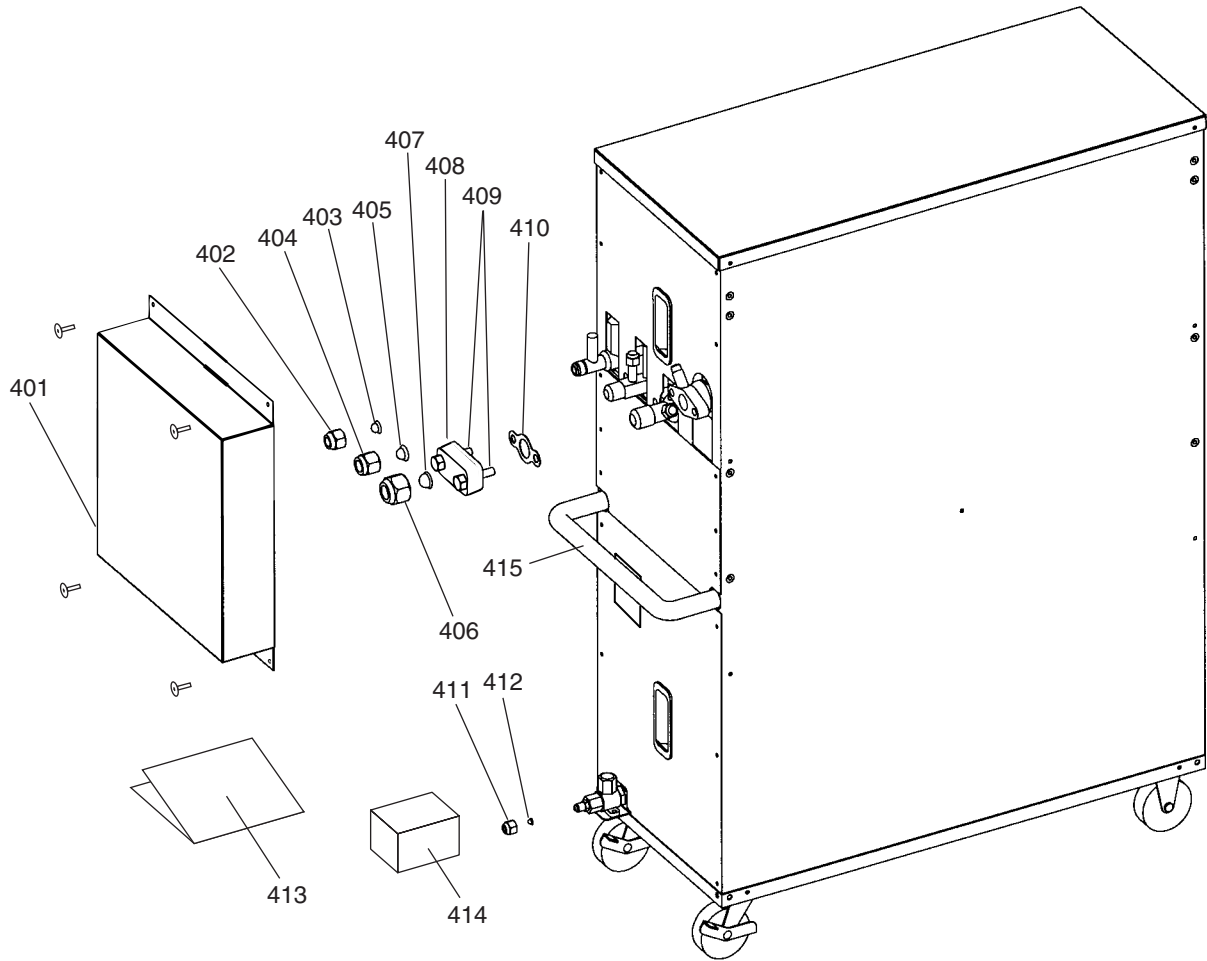
PUHY-P200YREM-A
PUHY-P250YREM-A

CONTROL BOX PARTS

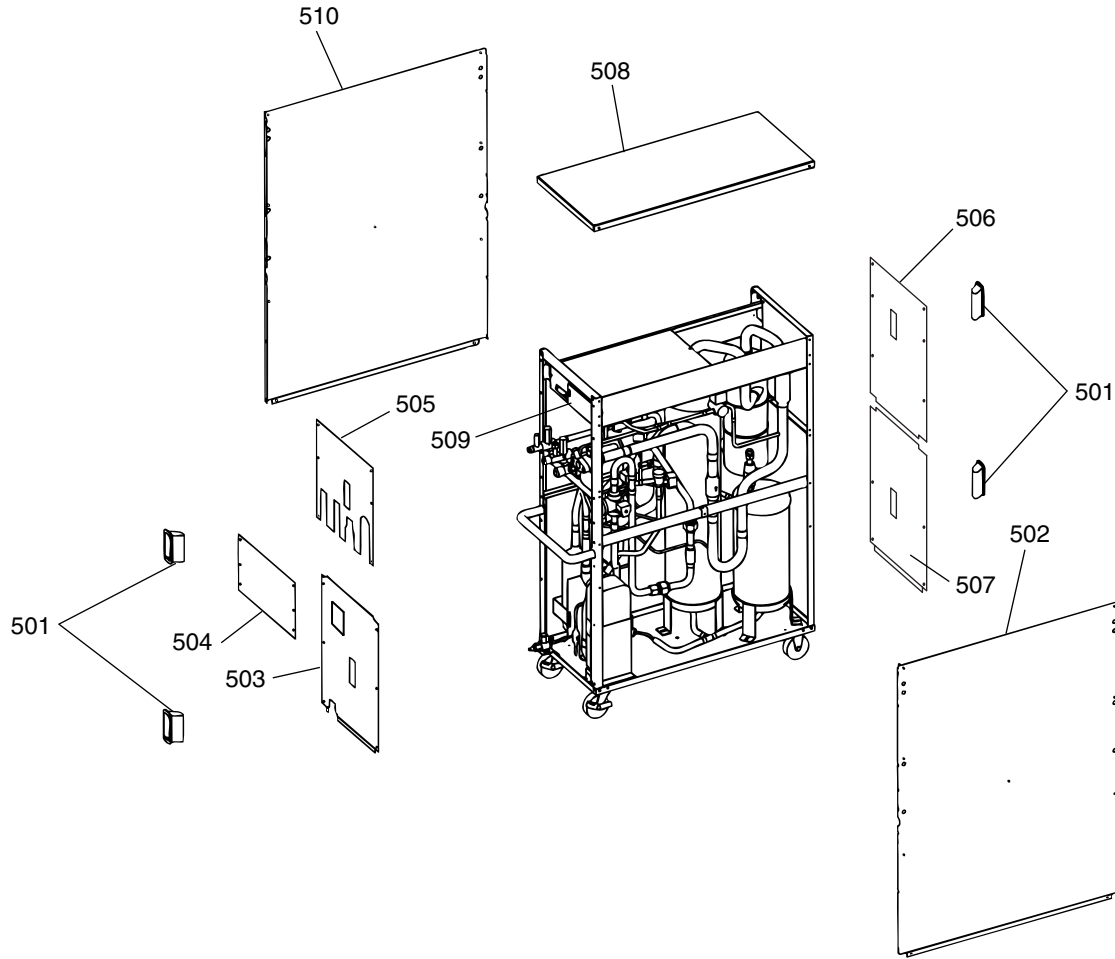


CONTROL BOX PARTS

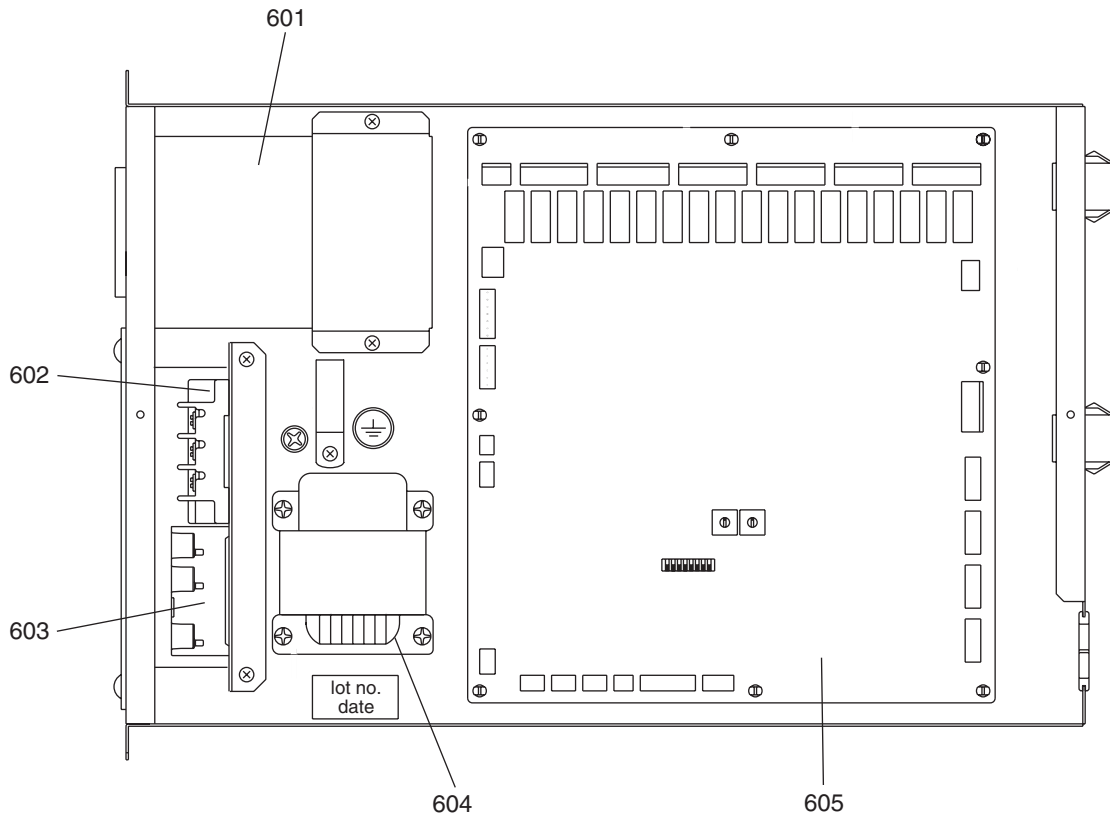
No.	Part No.	Part Name	Spec.	-P200YREM-A	-P250YREM-A						Dwg. No.	Price
301	R61 Y15 305	Control box		1	1						W272682G04	
302	R61 Y44 281	Main board		1	1						W272681G04	
303	R61 Y21 321	INV board		1	1						W652111G01	
304	R61 Y01 251	Fan controller board		1	1						W639913G02	
305	R61 Y43 280	G/A board		1	1						W652112G02	
306	R61 Y12 320	Diode	DF60LB160	1	1						W876941G06	
307	R61 Y04 249	IPM	6MBP50RA120	1	1						W848413G10	
308	R61 Y18 252	Capacitor	400WV,4700μF<C2,3>	2	2						P412265X01	
309	R61 Y01 259	Reactor	1.92mH/34A<DCL>	1	1						P419149X01	
310	R61 Y28 225	Magnet contactor	PAK-21J,AC240V<52C>	1	1						S427020H12	
311	R61 Y14 260	Transformer	240V/40V<T1>	1	1						P715302X01	
312	R61 Y06 234	Resistor	40W,47Ω<R1,5>	2	2						P411141X01	
313	R61 Y02 234	Resistor	10W,33kΩ,pitch=32<R2,3>	2	2						P411126X01	
314	R61 Y02 287	ACCT	CHJ038CP2B	1	1						W652122G01	
315	R61 Y15 118	Fan	109S025UL	1	1						W639916G01	
316	R61 F14 201	Thermistor		1	1						P414095X01	
317	R61 Y02 244	Choke coil	1A,30mH,<L2>	1	1						P419121X01	
318	R61 L85 252	ZNR+C		1	1						W886345G01	
319	R61 Y10 293	NF CF4030C-MX2		1	1						P417003X01	
320	R61 A42 289	DCCT		1	1						P419079X02	
321	R61 Y24 252	Capacitor	<C4>	1	1						W899149G02	



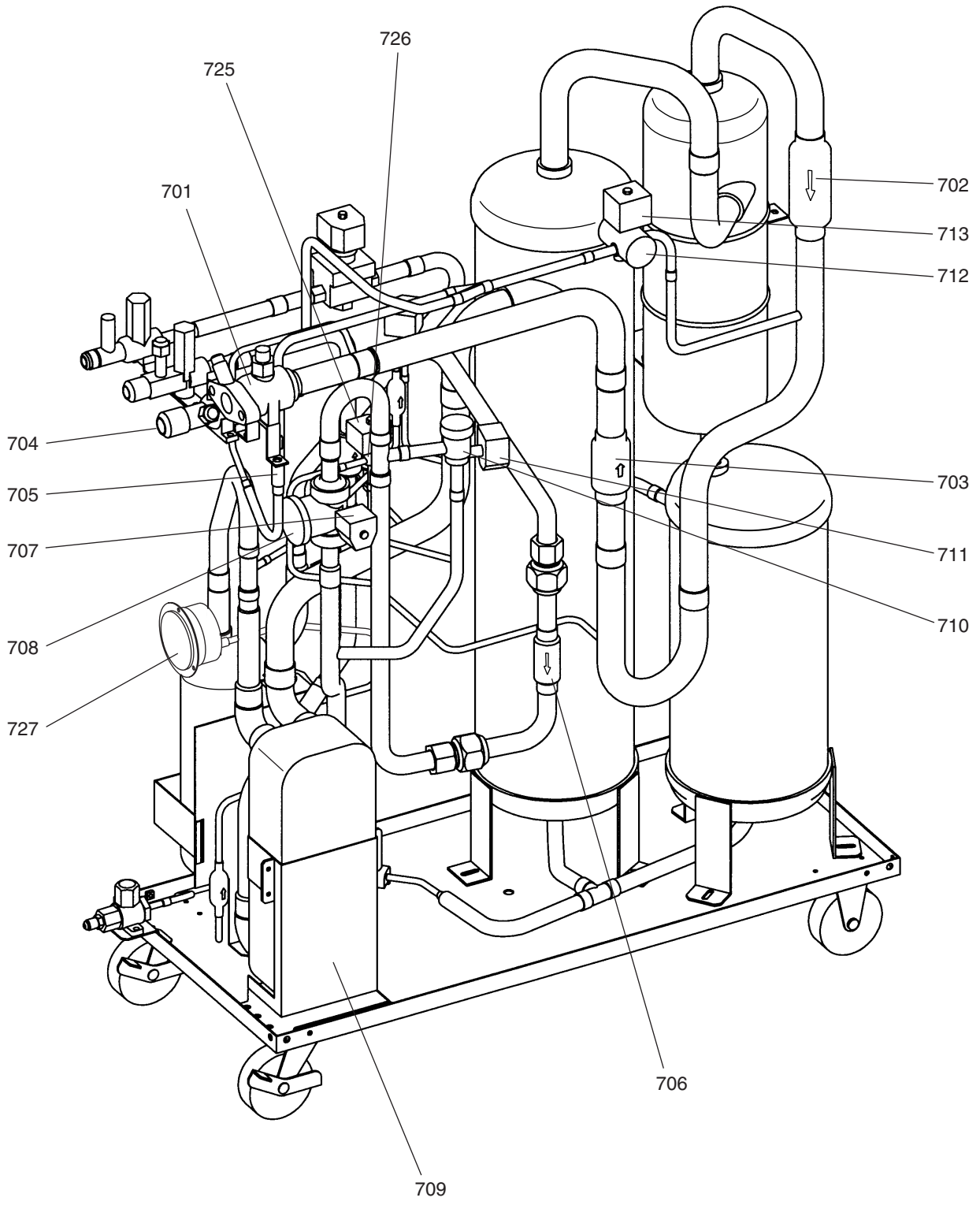
No.	Part No.	Part Name	Spec.	-KP90VCLU						Dwg. No.	Price
401	R61 M03 667	Panel cover		1						W892683G01	
402	R61 M03 122	Flare nut	3/4	1						W457611H05	
403	R61 M03 812	Cap	3/4	1						W444213H05	
404	R61 M04 122	Flare nut	5/8	1						S551001H02	
405	R61 M04 812	Cap	5/8	1						W444213H04	
406	R61 M03 134	Flare nut	1/2	1						S551001H01	
407	R61 M03 813	Cap	1/2	1						W444213H03	
408	R61 M03 457	Flange		1						W881044H02	
409	R61 M04 306	Bolt	10x40	2						B12H074H17	
410	R61 F14 514	Gasket		1						P321009X01	
411	R61 M04 134	Flare nut	1/4	1						W457611H01	
412	R61 M04 813	Cap	1/4	1						W444213H01	
413	R61 M03 622	Low temperature hood		1						W650296G01	
414	R61 Y12 410	Ball valve cover		1						W906965G01	
415	R61 Y01 030	Handle		2						W891598H01	

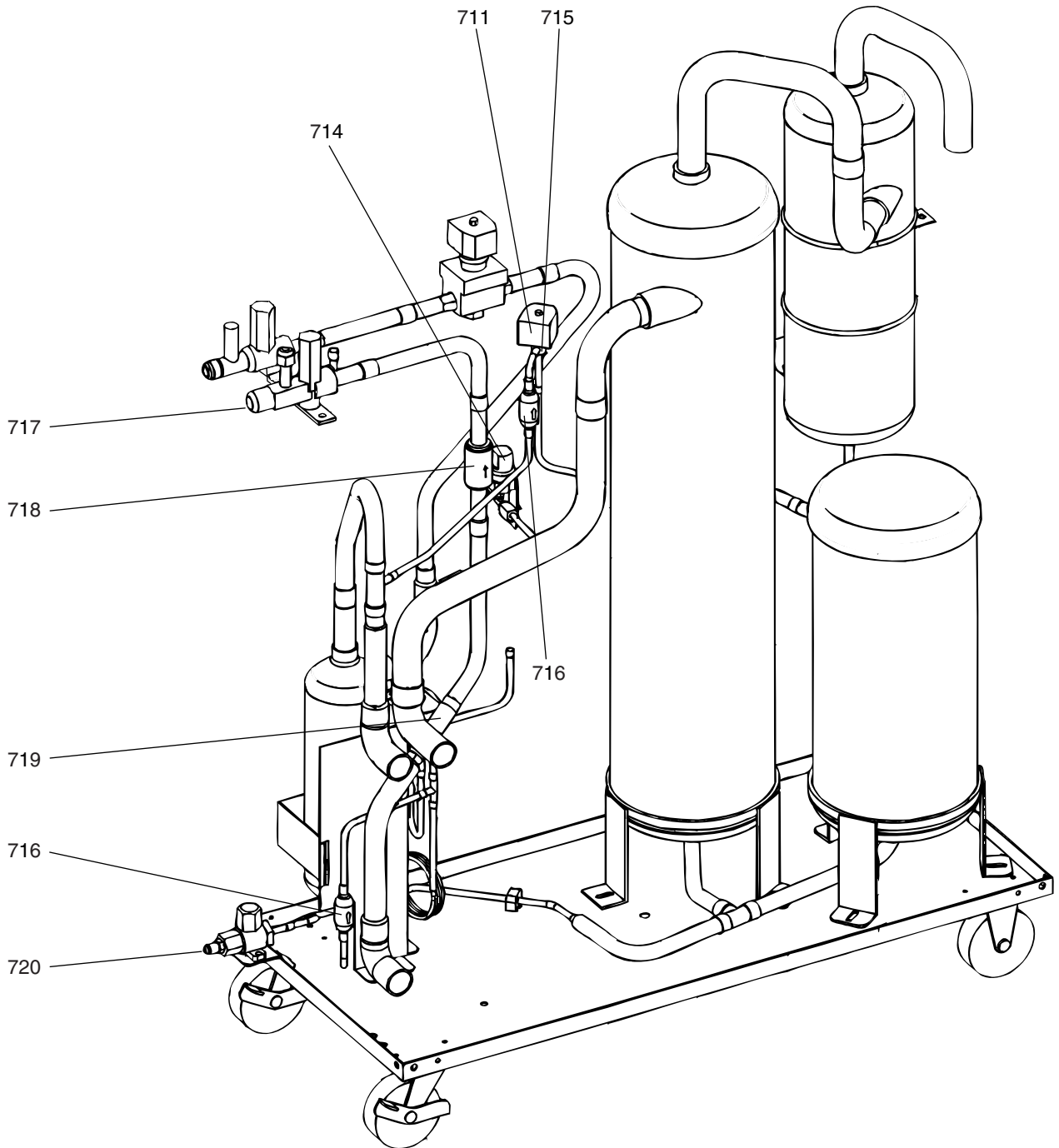


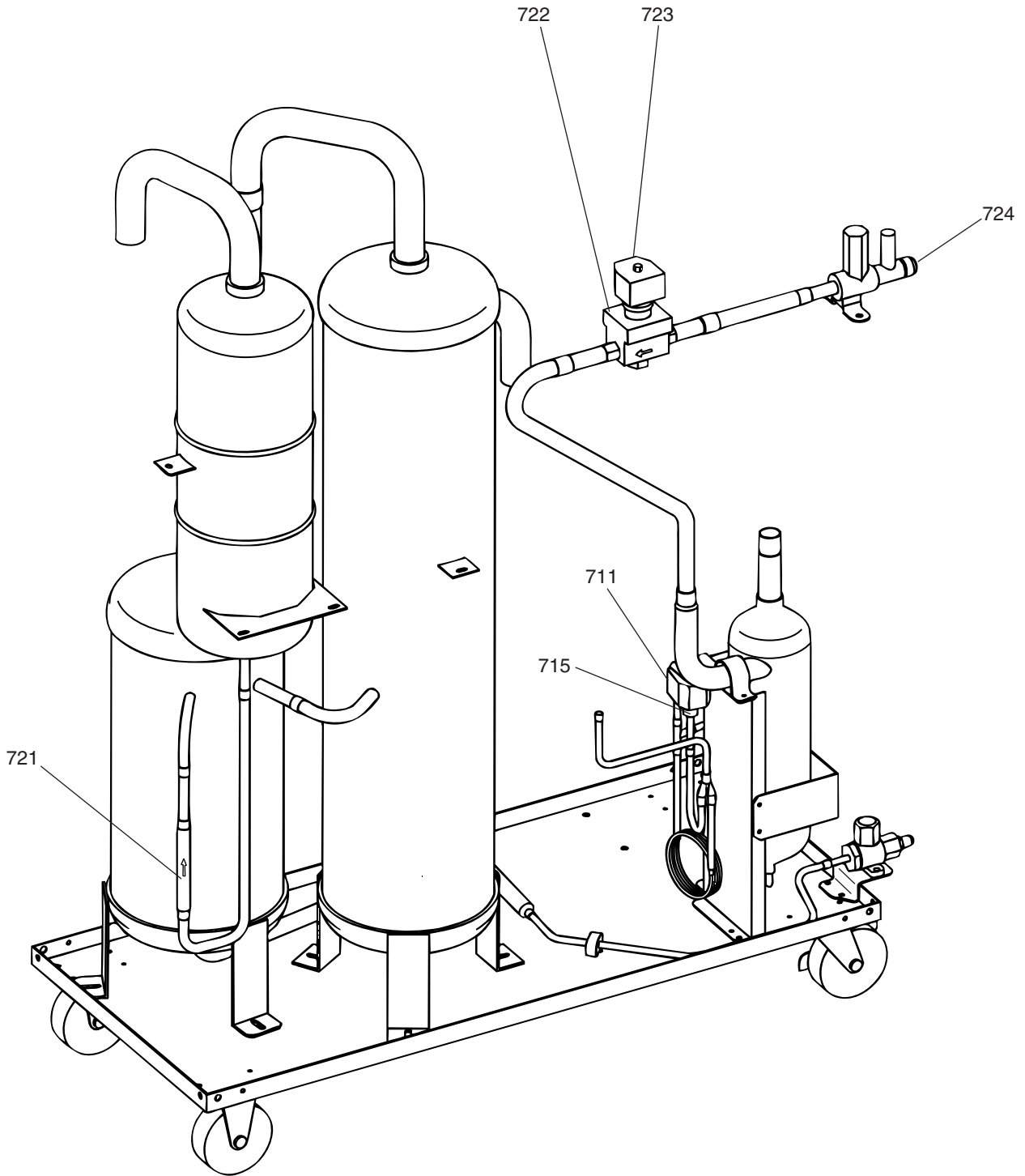
No.	Part No.	Part Name	Spec.	-KP90VCLU						Dwg. No.	Price
501	R61 K46 030	Handle grip		4						G25J978H04	
502	R61 Y26 652	Panel front,back		1						W271358G03	
503	R61 Y27 652	Panel left 1		1						W646279G04	
504	R61 M04 663	Panel left 3		1						W891579G02	
505	R61 M03 664	Panel left 4		1						W646200G01	
506	R61 Y28 652	Panel right 1		1						W650213G01	
507	R61 Y29 652	Panel right 2		1						W650214G01	
508	R61 M03 641	Panel top		1						W645343G01	
509	R61 M03 465	Brock plate		1						W891583H01	
510	R61 Y30 652	Panel back ass'y		1						W646280G03	



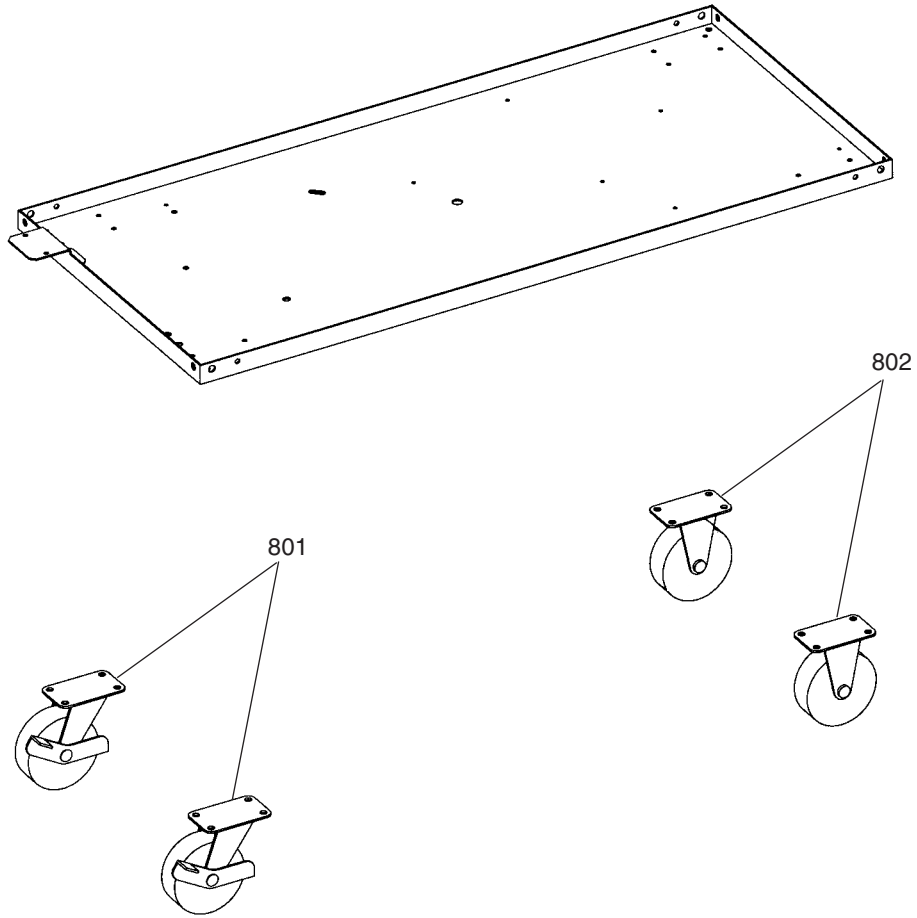
No.	Part No.	Part Name	Spec.	-KP90VCLU						Dwg. No.	Price
601	R61 Y01 325	SF55MN ass'y		1						W891585G03	
602	R61 Y02 715	Terminal brock (Control)	<TB02>	1						W834188H02	
603	R61 979 247	Terminal brock (Power source)	<TB01>	1						P436110X01	
604	R61 Y20 260	Transformer	240V/24.2V	1						P715859X02	
605	R61 M03 280	Board ass'y		1						W266227G02	





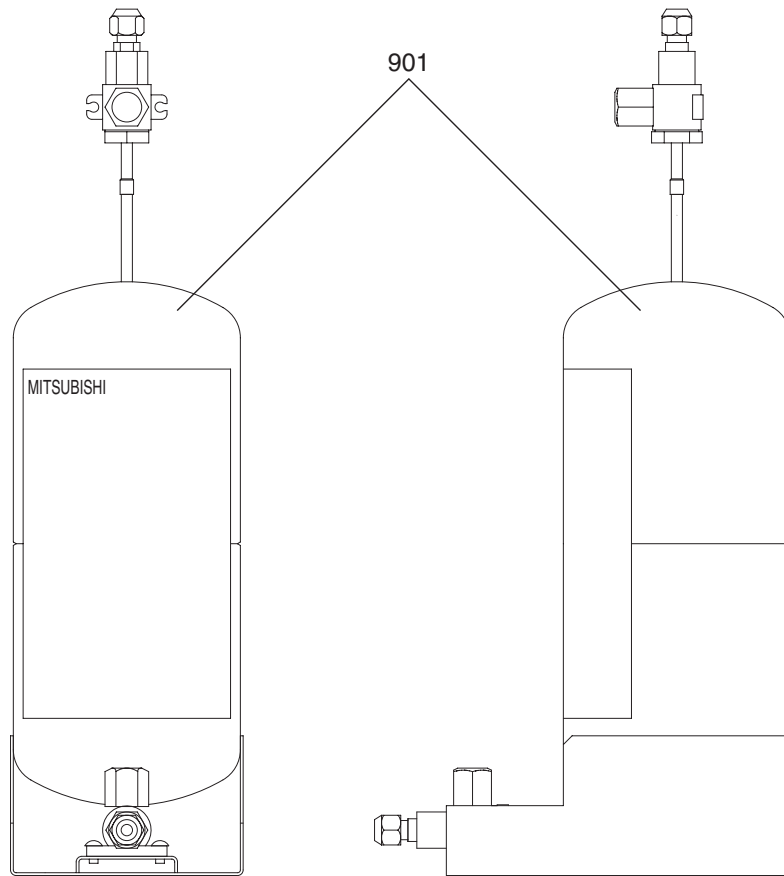


No.	Part No.	Part Name	Spec.	-KP90VCLU						Dwg. No.	Price
701	R61 Y11 410	Ball valve		1						P636311X01	
702	R61 M04 454	Strainer		1						W858398G03	
703	R61 799 418	Check valve	21.5-28.6	1						P639104X01	
704	R61 Y02 410	Ball valve	3/4	1						P636224X01	
705	R61 625 418	Check valve	5-9.52	1						S639001H02	
706	R61 M03 454	Strainer		1						W891568G01	
707	R61 Y08 243	Solenoid valve coil		1						P631249X01	
708	R61 G57 232	Solenoid valve	ST66PF	1						P631227X02	
709	R61 M03 480	Heat exchanger		1						P735039X01	
710	R61 803 232	Solenoid valve	NEV1204DXF	1						P631817X01	
711	R61 Y04 243	Solenoid valve coil	NEV	3						P631205X01	
712	R61 399 232	Solenoid valve	SB18	1						P631182X01	
713	R61 Y03 232	Solenoid valve coil	SB18	1						P631246X01	
714	R61 331 288	Pressure sensor		1						P419110X01	
715	R61 435 232	Solenoid valve		2						P631807X02	
716	R61 155 454	Strainer		2						W882822G01	
717	R61 H13 410	Ball valve	5/8	1						P636233X02	
718	R61 F14 418	Check valve		1						P639130X01	
719	R61 Y02 454	Strainer		1						W858399G02	
720	R61 M03 410	Ball valve	A1/4F	1						P636230X01	
721	R61 625 418	Check valve	5-9.52	1						S639001H02	
722	R61 K38 232	Solenoid valve	SEV-1205DXF	1						P631237X01	
723	R61 Y13 243	Solenoid valve coil		1						P472015X01	
724	R61 F14 410	Ball valve	1/2	1						P636220X02	
725	R61 Y07 243	Solenoid valve coil	LD24509	1						P631245X01	
726	R61 K32 232	Solenoid valve	VF10100	1						P631242X01	
727	R61 557 400	Gauge		1						P671079X03	



No.	Part No.	Part Name	Spec.	-KP90VCLU						Dwg. No.	Price
801	R61 E63 758	Caster (Swivel)		2						P619045X01	
802	R61 E63 757	Caster (Fixed)		2						P619046X01	

PUHY-P·YREM-A



No.	Part No.	Part Name	Spec.	-P·YREM-A						Dwg. No.	Price
901	R61 Y01 621	Ester oil for Replace Multi		1						W645945G02	

Note

If the unit fails the one-month oil inspection, replace the ester oil using this equipment.

