

# SERVICE PARTS LIST FOR MITSUBISHI ELECTRIC PACKAGED AIR-CONDITIONERS

**Series : PQRV-P·YGM-A**

**For use with the R410A**

**REVISED**

**June 2007**

**BWE0519B**

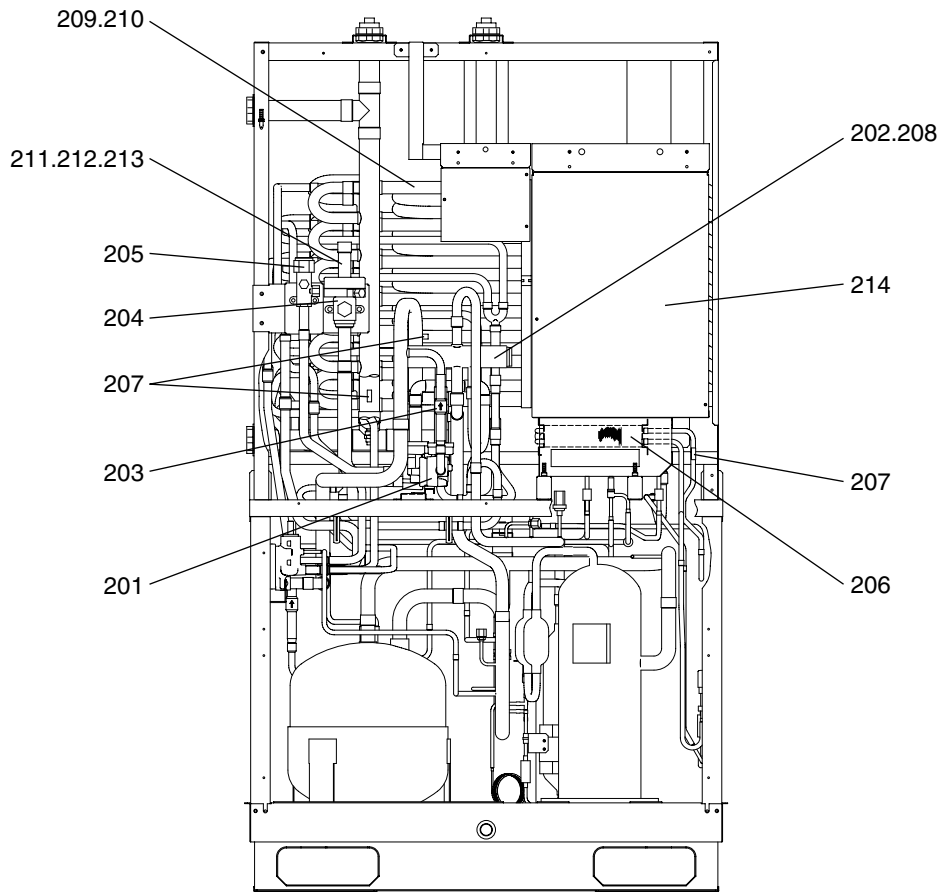
## INDEX

**PQRV-P200YGM-A**

**PQRV-P250YGM-A**



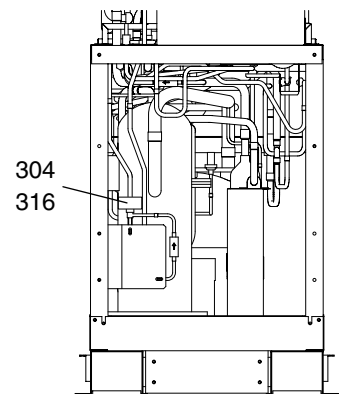
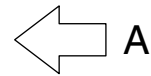
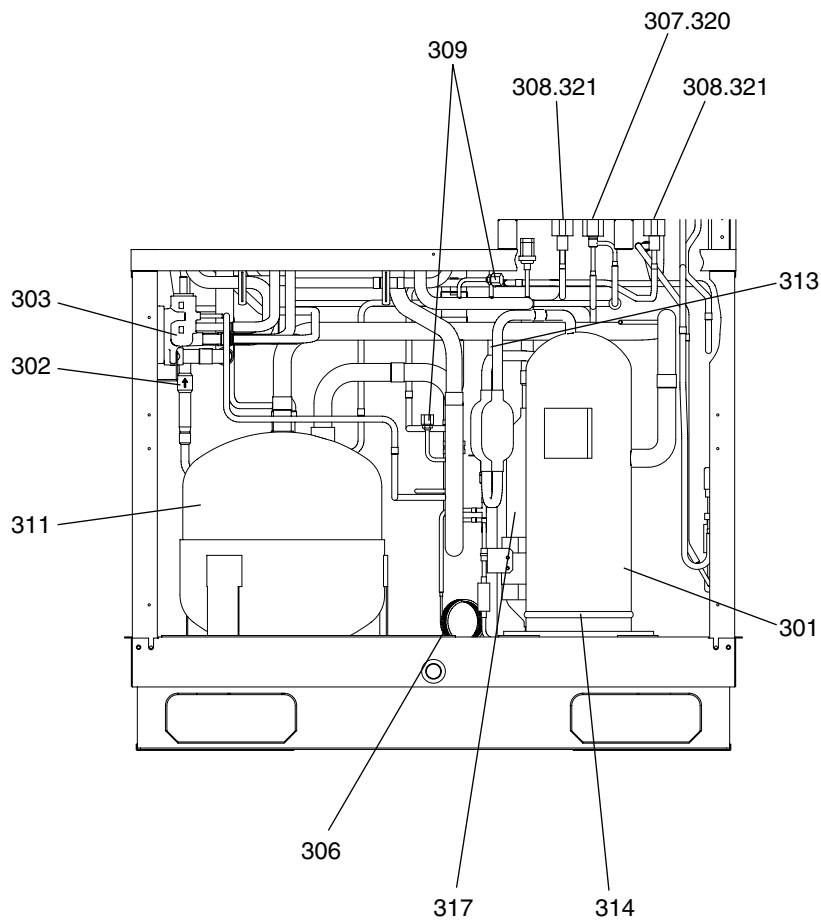
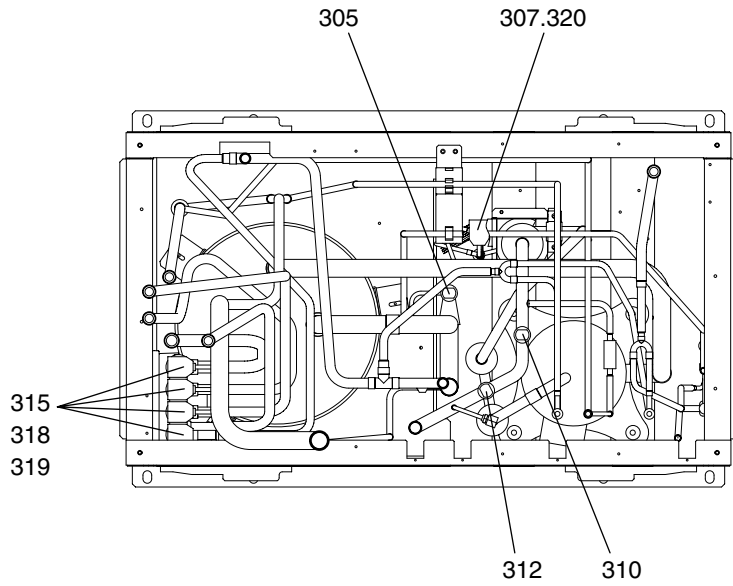




No.	Part No.	G : RoHS Apply Only W : RoHS Apply by Running Change		Spec.	PQRY-P200YGM-A	PQRY-P250YGM-A	Dwg. No.	Price	Revision History
			Part Name						
201	R63 6A7 418	G	Check valve block assy		1	1	W276816G01		B
202	R63 Y05 154	G	Four way valve	STF-07	1	1	P633119X01		B
203	R63 R43 418	G	Check valve		1	1	P639165X01		B
204	R63 R40 410	G	Ball valve		1	1	P636309X02		B
205	R63 R34 410	G	Ball valve		1	1	P636308X01		B
206	R63 4F3 480	G	Heat exchanger		1	1	W278600G02		B
207	R63 670 202	G	Thermistor	NTH3A14 <TH6,INV,TH9>	3	3	P425496X01		B
208	R63 Y16 243	G	Four way valve coil	<21S4a>	1	1	P472024X01		B
209	R63 4F3 481	G	Heat exchanger assy		1		W277980G04		B
210	R63 4F4 481	G	Heat exchanger assy			1	W277323G04		B
211	R63 0G9 441	G	Pipe assy		1		W663334G01		B
212	R63 9F2 441	G	Pipe assy			1	W663334G02		B
213	R61 F14 514	G	Packing		1	1	P321009X01		B
214	R63 Y48 305	G	Control box	WR-P250	1	1	W278127G01		B

PQRY-P200YGM-A  
PQRY-P250YGM-A

FUNCTIONAL PARTS (2)



A



PQRY-P200YGM-A  
PQRY-P250YGM-A

### CONTROL BOX PARTS

