

**Air-Conditioners For Building Application****HEAT SOURCE UNIT****CE****PQRY-P-YEM-A****GB****D****F****E****I****NL****P****GR****RU****TR****INSTALLATION MANUAL**

For safe and correct use, please read this installation manual thoroughly before installing the air-conditioner unit.

**INSTALLATIONSHANDBUCH**

Zum sicheren und ordnungsgemäßen Gebrauch der Klimageräte das Installationshandbuch gründlich durchlesen.

**MANUEL D'INSTALLATION**

Veillez lire le manuel d'installation en entier avant d'installer ce climatiseur pour éviter tout accident et vous assurer d'une utilisation correcte.

**MANUAL DE INSTALACIÓN**

Para un uso seguro y correcto, lea detalladamente este manual de instalación antes de montar la unidad de aire acondicionado.

**MANUALE DI INSTALLAZIONE**

Per un uso sicuro e corretto, leggere attentamente questo manuale di installazione prima di installare il condizionatore d'aria.

**INSTALLATIEHANDLEIDING**

Voor een veilig en juist gebruik moet u deze installatiehandleiding grondig doorlezen voordat u de airconditioner installeert.

**MANUAL DE INSTALAÇÃO**

Para segurança e utilização correctas, leia atentamente este manual de instalação antes de instalar a unidade de ar condicionado.

**ΕΓΧΕΙΡΙΔΙΟ ΟΔΗΓΙΩΝ ΕΓΚΑΤΑΣΤΑΣΗΣ**

Για ασφάλεια και σωστή χρήση, παρακαλείστε διαβάσετε προσεκτικά αυτό το εγχειρίδιο εγκατάστασης πριν αρχίσετε την εγκατάσταση της μονάδας κλιματισμού.

**РУКОВОДСТВО ПО УСТАНОВКЕ**

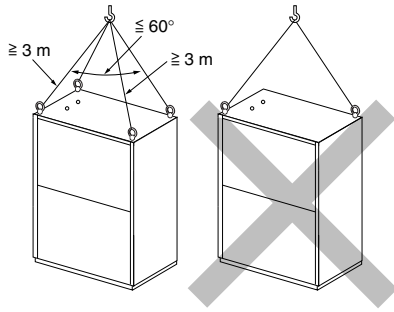
Для осторожного и правильного использования прибора необходимо тщательно ознакомиться с данным руководством по установке до выполнения установки кондиционера.

**MONTAJ ELKİTABI**

Emniyetli ve doğru biçimde nasıl kullanılacağını öğrenmek için lütfen klima cihazını monte etmeden önce bu elkitabını dikkatle okuyunuz.

4

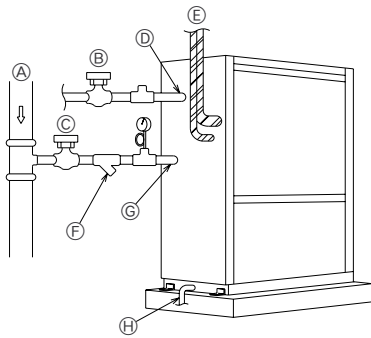
[Fig. 4.0.1]



6

6.1

[Fig. 6.1.1]



- Ⓐ Water circulation pipe
- Ⓑ Close valve
- Ⓒ Close valve
- Ⓓ Water outlet
- Ⓔ Refrigerant piping
- Ⓕ Y-type strainer
- Ⓖ Water inlet
- Ⓗ Drain pipe

6.4

[Fig. 6.4.1]

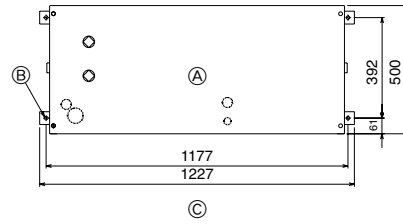


- Ⓐ Short-circuit wire (Connected before delivery from manufacturer)
- Ⓑ Pump interlock circuit connection

5

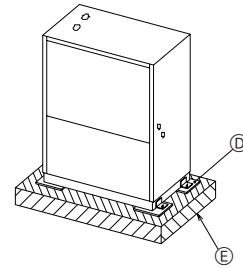
5.1

[Fig. 5.1.1]



- Ⓐ Heat source unit
- Ⓑ 4-ø14 (Anchoring hole)
- Ⓒ (Top view)

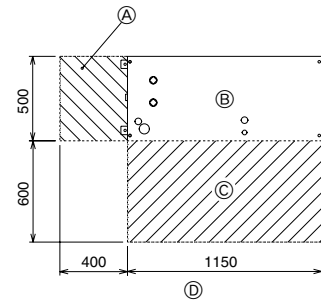
[Fig. 5.1.2]



- Ⓓ Anti-vibration pad
- Ⓔ Concrete base

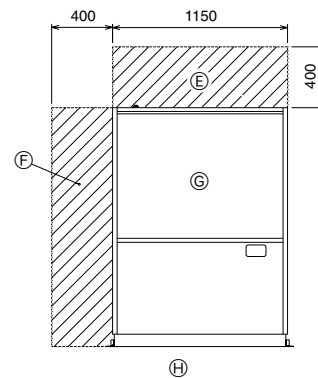
5.2

[Fig. 5.2.1]



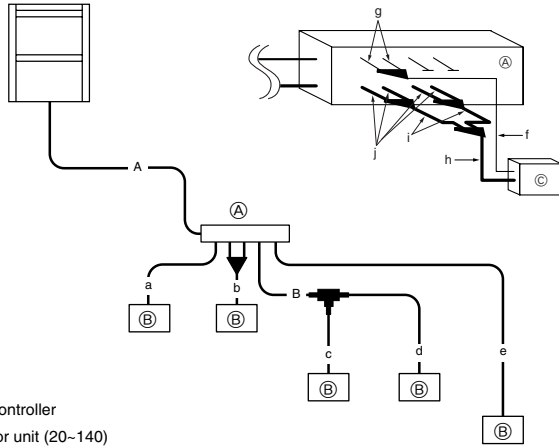
- Ⓐ Piping space (for left piping)
- Ⓑ Heat source unit
- Ⓒ Service space (front side)
- Ⓓ (Top view)

[Fig. 5.2.2]



- Ⓔ Piping space (for top piping)
- Ⓕ Piping space (for left piping)
- Ⓖ Heat source unit
- Ⓗ (Front view)

[Fig. 7.2.1]



- (A) BC controller
- (B) Indoor unit (20~140)
- (C) Indoor unit (200, 250)

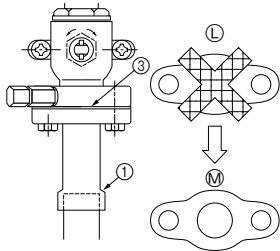
A	(mm)	
	(A) High pressure pipe	(B) Low pressure pipe
PQRY-P200	ø19.05	ø25.4
PQRY-P250	ø19.05	ø28.58
(C) Connection of heat source unit/BC controller	ø 19.05 (Flare)	ø 25.4 (Flange) ø 28.58 (Frang)

B	(mm)		
	(D) Total capacity of indoor units	(E) Liquid line	(F) Gas line
~ 80	ø9.52	ø15.88	
	ø9.52	ø19.05	

a, b, c, d, e	(mm)		
	(G) Model number	(E) Liquid line	(F) Gas line
20,25,32,40	ø6.35	ø12.7	
	ø9.52	ø15.88	
100,125,140	ø9.52	ø19.05	

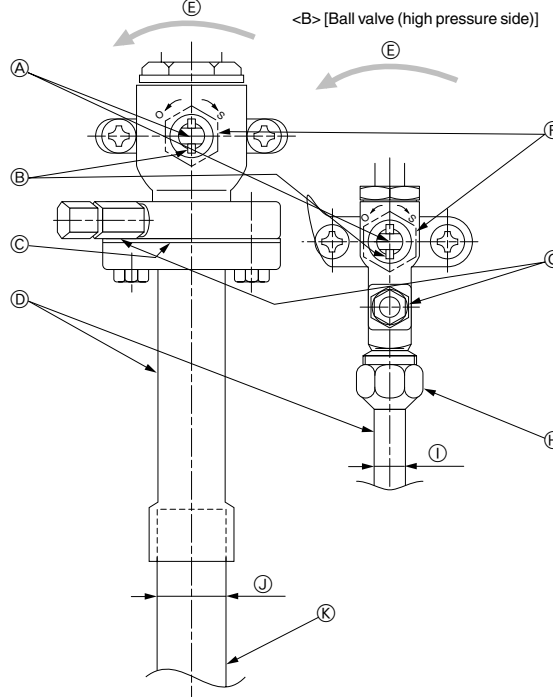
f, g, h, i, j	(mm)				
	(E) Liquid line	(F) Gas line			
(G) Model number	f	g	h	i	j
	200	ø12.7	ø9.52	ø25.4	ø19.05
250	ø12.7	ø9.52	ø28.58	ø19.05	ø15.88

[Fig. 8.2.1]

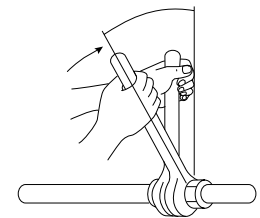


[Fig. 8.2.2] <A> [Ball valve (low pressure side)]

(This figure shows the valve in the fully open state.)

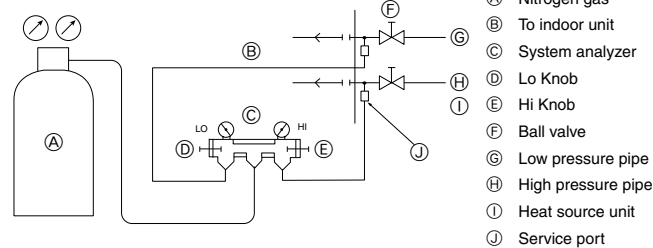


[Fig. 8.2.3]

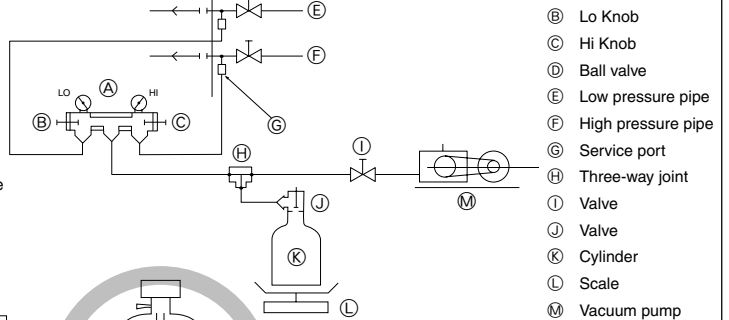


- (A) Valve stem
- (B) Stopper pin
- (C) Packing (accessory)
- (D) Connecting pipe (accessory)
- (E) Open (Operate slowly)
- (F) Cap, copper packing
- (G) Service port
- (H) Flare nut
- (I) ø19.05
- (J) ø25.4 (PQRY-P200)  
ø28.58 (PQRY-P250)
- (K) Field piping
- (L) Close-packed packing
- (M) Hollow packing

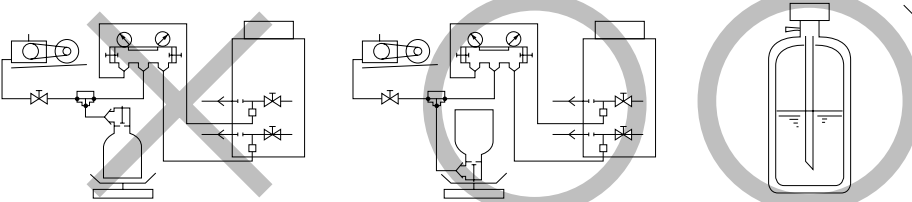
[Fig. 8.3.1]



[Fig. 8.3.2]



[Fig. 8.3.3]

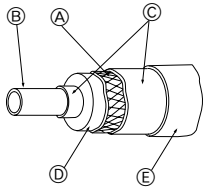


- (A) Nitrogen gas
- (B) To indoor unit
- (C) System analyzer
- (D) Lo Knob
- (E) Hi Knob
- (F) Ball valve
- (G) Low pressure pipe
- (H) High pressure pipe
- (I) Heat source unit
- (J) Service port

- (A) System analyzer
- (B) Lo Knob
- (C) Hi Knob
- (D) Ball valve
- (E) Low pressure pipe
- (F) High pressure pipe
- (G) Service port
- (H) Three-way joint
- (I) Valve
- (J) Valve
- (K) Cylinder
- (L) Scale
- (M) Vacuum pump

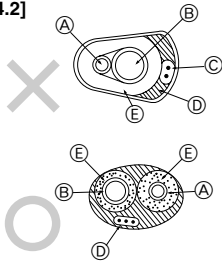
## 8.4

[Fig. 8.4.1]



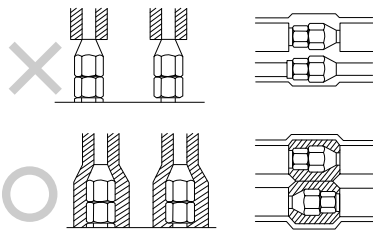
- (A) Steel wire
- (B) Piping
- (C) Asphaltic oily mastic or asphalt
- (D) Heat insulation material A
- (E) Outer covering B

[Fig. 8.4.2]

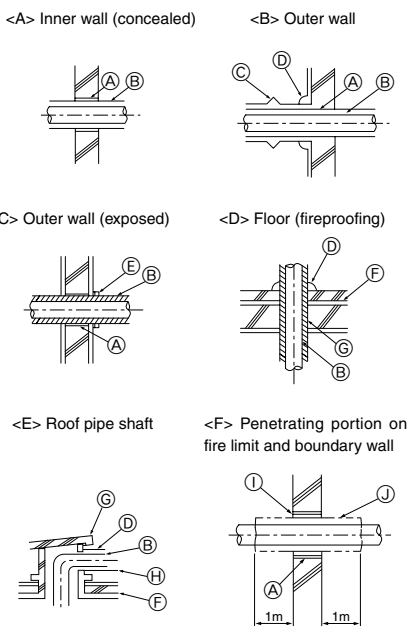


- (A) High pressure pipe
- (B) Low pressure pipe
- (C) Electric wire
- (D) Finishing tape
- (E) Insulator

[Fig. 8.4.3]



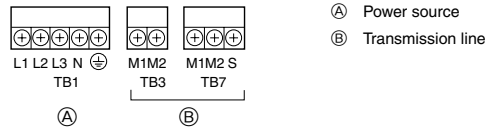
[Fig. 8.4.4]



- (A) Sleeve
- (B) Heat insulating material
- (C) Lagging
- (D) Caulking material
- (E) Band
- (F) Waterproofing layer
- (G) Sleeve with edge
- (H) Lagging material
- (I) Mortar or other incombustible caulking
- (J) Incombustible heat insulation material

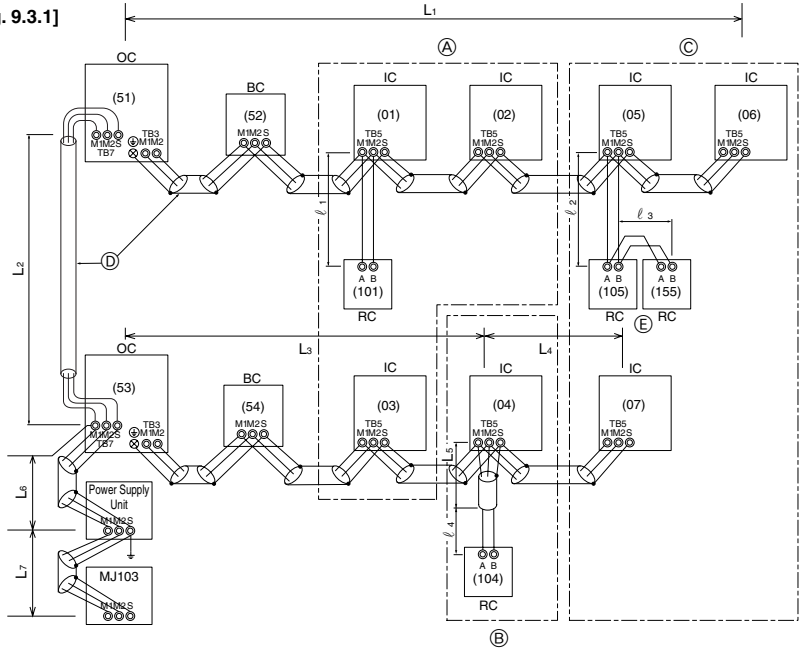
## 9

[Fig. 9.2.1]

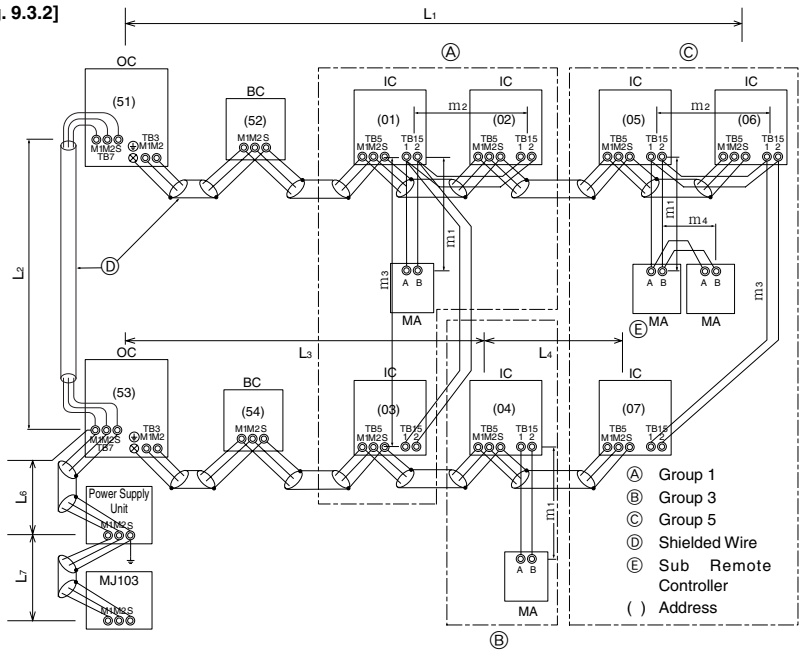


## 9.3

[Fig. 9.3.1]

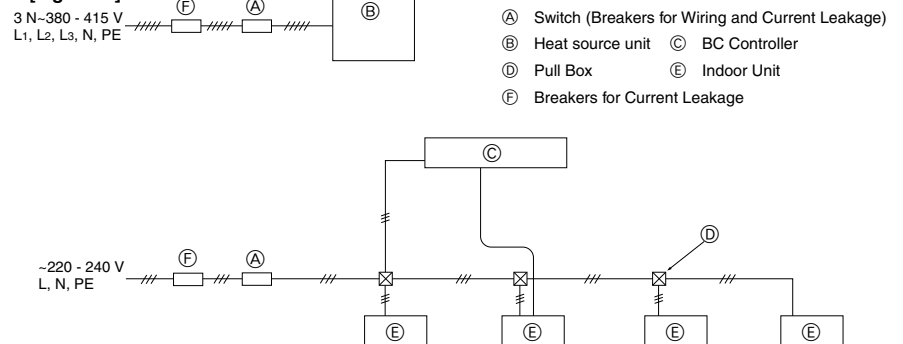


[Fig. 9.3.2]



## 9.4

[Fig. 9.4.1]



- (A) Switch (Breakers for Wiring and Current Leakage)
- (B) Heat source unit
- (C) BC Controller
- (D) Pull Box
- (E) Indoor Unit
- (F) Breakers for Current Leakage

# Contents

1. Safety precautions .....	5	7. Refrigerant piping installation .....	8
1.1. Before installation and electric work .....	5	7.1. Caution .....	8
1.2. Precautions for devices that use R407C refrigerant .....	5	7.2. Refrigerant piping system .....	8
1.3. Before getting installed .....	6	8. Additional refrigerant charge .....	8
1.4. Before getting installed (moved) - electrical work .....	6	8.1. Calculation of additional refrigerant charge .....	8
1.5. Before starting the test run .....	6	8.2. Caution for piping connection/valve operation .....	9
2. Specifications .....	6	8.3. Airtight test, evacuation, and refrigerant charging .....	9
3. Confirmation of parts attached .....	6	8.4. Thermal insulation of refrigerant piping .....	10
4. Lifting method .....	7	9. Wiring .....	11
5. Installation of unit and service space .....	7	9.1. Caution .....	11
5.1. Installation .....	7	9.2. Control box and connecting position of wiring .....	11
5.2. Service space .....	7	9.3. Wiring transmission cables .....	11
6. Water pipe installation .....	7	9.4. Wiring of main power supply and equipment capacity .....	12
6.1. Precautions during installation .....	7	10. Test run .....	12
6.2. Insulation installation .....	7	10.1. The following phenomena do not represent trouble (emergency) .....	12
6.3. Water processing and water quality control .....	7		
6.4. Pump interlock .....	8		

## 1. Safety precautions

### 1.1. Before installation and electric work

- ▶ Before installing the unit, make sure you read all the “Safety precautions”.
- ▶ The “Safety precautions” provide very important points regarding safety. Make sure you follow them.

#### Symbols used in the text





##### **Warning:**

Describes precautions that should be observed to prevent danger of injury or death to the user.

##### **Caution:**

Describes precautions that should be observed to prevent damage to the unit.

#### Symbols used in the illustrations

-  : Indicates an action that must be avoided.
-  : Indicates that important instructions must be followed.
-  : Indicates a part which must be grounded.
-  : Beware of electric shock. (This symbol is displayed on the main unit label.)  
<Color: yellow>

##### **Warning:**

Carefully read the labels affixed to the main unit.

##### **Warning:**

- Ask the dealer or an authorized technician to install the air conditioner.
  - Improper installation by the user may result in water leakage, electric shock, or fire.
- Install the unit in a place that can withstand its weight.
  - Inadequate strength may cause the unit to fall down, resulting in injuries.
- Use the specified cables for wiring. Make the connections securely so that the outside force of the cable is not applied to the terminals.
  - Inadequate connection and fastening may generate heat and cause a fire.
- Prepare for rain and other moisture and earthquakes and install the unit at the specified place.
  - Improper installation may cause the unit to topple over and result in injury.
- Always use an filter and other accessories specified by Mitsubishi Electric.
  - Ask an authorized technician to install the accessories. Improper installation by the user may result in water leakage, electric shock, or fire.
- Never repair the unit. If the air conditioner must be repaired, consult the dealer.
  - If the unit is repaired improperly, water leakage, electric shock, or fire may result.
- If refrigerant gas leaks during installation work, ventilate the room.
  - If the refrigerant gas comes into contact with a flame, poisonous gases will be released.
- Install the air conditioner according to this Installation Manual.
  - If the unit is installed improperly, water leakage, electric shock, or fire may result.
- Have all electric work done by a licensed electrician according to “Electric Facility Engineering Standard” and “Interior Wire Regulations” and the instructions given in this manual and always use a special circuit.
  - If the power source capacity is inadequate or electric work is performed improperly, electric shock and fire may result.

- Securely install the heat source unit terminal cover (panel).
  - If the terminal cover (panel) is not installed properly, dust or water may enter the heat source unit and fire or electric shock may result.
- When installing and moving the air conditioner to another site, do not charge the it with a refrigerant different from the refrigerant (R407C) specified on the unit.
  - If a different refrigerant or air is mixed with the original refrigerant, the refrigerant cycle may malfunction and the unit may be damaged.
- If the air conditioner is installed in a small room, measures must be taken to prevent the refrigerant concentration from exceeding the safety limit even if the refrigerant should leak.
  - Consult the dealer regarding the appropriate measures to prevent the safety limit from being exceeded. Should the refrigerant leak and cause the safety limit to be exceeded, hazards due to lack of oxygen in the room could result.
- When moving and reinstalling the air conditioner, consult the dealer or an authorized technician.
  - If the air conditioner is installed improperly, water leakage, electric shock, or fire may result.
- After completing installation work, make sure that refrigerant gas is not leaking.
  - If the refrigerant gas leaks and is exposed to a fan heater, stove, oven, or other heat source, it may generate noxious gases.
- Do not reconstruct or change the settings of the protection devices.
  - If the pressure switch, thermal switch, or other protection device is shorted and operated forcibly, or parts other than those specified by Mitsubishi Electric are used, fire or explosion may result.
- To dispose of this product, consult your dealer.
- The installer and system specialist shall secure safety against leakage according to local regulation or standards.
  - Following standards may be applicable if local regulation are not available.
- Pay a special attention to the place, such as a basement, etc. where refrigeration gas can stay, since refrigeration is heavier than the air.

### 1.2. Precautions for devices that use R407C refrigerant

##### **Caution:**

- Do not use the existing refrigerant piping.
  - The old refrigerant and refrigerator oil in the existing piping contains a large amount of chlorine which may cause the refrigerator oil of the new unit to deteriorate.
- Use refrigerant piping made of phosphorus deoxidized copper and copper alloy seamless pipes and tubes. In addition, be sure that the inner and outer surfaces of the pipes are clean and free of hazardous sulphur, oxides, dust/dirt, shaving particles, oils, moisture, or any other contaminant.
  - Contaminants on the inside of the refrigerant piping may cause the refrigerant residual oil to deteriorate.
- Store the piping to be used during installation indoors and keep both ends of the piping sealed until just before brazing. (Store elbows and other joints in a plastic bag.)
  - If dust, dirt, or water enters the refrigerant cycle, deterioration of the oil and compressor trouble may result.
- Use ester oil, ether oil or alkylbenzene (small amount) as the refrigerator oil to coat flares and flange connections.
  - The refrigerator oil will degrade if it is mixed with a large amount of mineral oil.
- Use liquid refrigerant to fill the system.
  - If gas refrigerant is used to seal the system, the composition of the refrigerant in the cylinder will change and performance may drop.

- **Do not use a refrigerant other than R407C.**
  - If another refrigerant (R22, etc.) is used, the chlorine in the refrigerant may cause the refrigerant oil to deteriorate.
- **Use a vacuum pump with a reverse flow check valve.**
  - The vacuum pump oil may flow back into the refrigerant cycle and cause the refrigerant oil to deteriorate.
- **Do not use the following tools that are used with conventional refrigerants.**  
(Gauge manifold, charge hose, gas leak detector, reverse flow check valve, refrigerant charge base, refrigerant recovery equipment)
  - If the conventional refrigerant and refrigerator oil are mixed in the R407C, the refrigerant may deteriorate.
  - If water is mixed in the R407C, the refrigerant oil may deteriorate.
  - Since R407C does not contain any chlorine, gas leak detectors for conventional refrigerants will not react to it.
- **Do not use a charging cylinder.**
  - Using a charging cylinder may cause the refrigerant to deteriorate.
- **Be especially careful when managing the tools.**
  - If dust, dirt, or water gets in the refrigerant cycle, the refrigerant may deteriorate.

### 1.3. Before getting installed

#### ⚠ Caution:

- **Do not install the unit where combustible gas may leak.**
  - If the gas leaks and accumulates around the unit, an explosion may result.
- **Do not use the air conditioner where food, pets, plants, precision instruments, or artwork are kept.**
  - The quality of the food, etc. may deteriorate.
- **Do not use the air conditioner in special environments.**
  - Oil, steam, sulfuric smoke, etc. can significantly reduce the performance of the air conditioner or damage its parts.
- **When installing the unit in a hospital, communication station, or similar place, provide sufficient protection against noise.**
  - The inverter equipment, private power generator, high-frequency medical equipment, or radio communication equipment may cause the air conditioner to operate erroneously, or fail to operate. On the other hand, the air conditioner may affect such equipment by creating noise that disturbs medical treatment or image broadcasting.
- **Do not install the unit on a structure that may cause leakage.**
  - When the room humidity exceeds 80 % or when the drain pipe is clogged, condensation may drip from the indoor unit. Perform collective drainage work together with the heat source unit, as required.

### 1.4. Before getting installed (moved) - electrical work

#### ⚠ Caution:

- **Ground the unit.**
  - Do not connect the ground wire to gas or water pipes, lightning rods, or telephone ground lines. Improper grounding may result in electric shock.
- **The reverse phase of L lines (L<sub>1</sub>, L<sub>2</sub>, L<sub>3</sub>) can be detected (Error cord: 4103), but the reverse phase of L lines and N line can be not be detected.**
  - The some electric parts should be damaged when power is supplied under the miss wiring.
- **Install the power cable so that tension is not applied to the cable.**
  - Tension may cause the cable to break and generate heat and cause a fire.

## 2. Specifications

Model	PQRY-P200YEM-A		PQRY-P250YEM-A
Noise level	51 dB <A>		52 dB <A>
Net weight	270 kg		280 kg
Allowable pressure	HP: 2.94 MPa, LP: 1.6 MPa		
Refrigerant	R407C: 7.5 kg		R407C: 8.5 kg
Indoor units	Total capacity	50 ~ 150 %	
	Model / Quantity	20 ~ 200 / 1 ~ 15	20 ~ 250 / 1 ~ 16
Operation temperature	Water temperature: 10°C ~ 45°C Note.1		

Note 1. When the total capacity of indoor units exceeds 130% of heat source units capacity, the operating temperature range of circulating water is 15°C ~ 45°C

### 3. Confirmation of parts attached

- |   |                             |   |
|---|-----------------------------|---|
| ① Hanger bolts M12 × 4  | ② Wiring mounting board × 1 | ③ Tapping screw M4 × 2                  |
| ④ Connecting pipe × 1 (Connecting pipe is fixed with the unit.) |                             | ⑥ Packing (inside ø23, outside ø35) × 1 |
| ⑤ Bushing × 2   |                             |   |

- **Install a leak circuit breaker, as required.**
  - If a leak circuit breaker is not installed, electric shock may result.
- **Use power line cables of sufficient current carrying capacity and rating.**
  - Cables that are too small may leak, generate heat, and cause a fire.
- **Use only a circuit breaker and fuse of the specified capacity.**
  - A fuse or circuit breaker of a larger capacity or a steel or copper wire may result in a general unit failure or fire.
- **Do not wash the air conditioner units.**
  - Washing them may cause an electric shock.
- **Be careful that the installation base is not damaged by long use.**
  - If the damage is left uncorrected, the unit may fall and cause personal injury or property damage.
- **Install the drain piping according to this Installation Manual to ensure proper drainage. Wrap thermal insulation around the pipes to prevent condensation.**
  - Improper drain piping may cause water leakage and damage to furniture and other possessions.
- **Be very careful about product transportation.**
  - Only one person should not carry the product if it weighs more than 20 kg.
  - Some products use PP bands for packaging. Do not use any PP bands for a means of transportation. It is dangerous.
  - When transporting the heat source unit, etc., by the hanger bolts, support it at four points. If it is supported at three points or less, it will become unstable when set down and may fall.
- **Safely dispose of the packing materials.**
  - Packing materials, such as nails and other metal or wooden parts, may cause stabs or other injuries.
  - Tear apart and throw away plastic packaging bags so that children will not play with them. If children play with a plastic bag which was not torn apart, they face the risk of suffocation.

### 1.5. Before starting the test run

#### ⚠ Caution:

- **Turn on the power at least 12 hours before starting operation.**
  - Starting operation immediately after turning on the main power switch can result in severe damage to internal parts. Keep the power switch turned on during the operational season.
- **Do not touch the switches with wet fingers.**
  - Touching a switch with wet fingers can cause electric shock.
- **Do not touch the refrigerant pipes during and immediately after operation.**
  - During and immediately after operation, the refrigerant pipes are may be hot and may be cold, depending on the condition of the refrigerant flowing through the refrigerant piping, compressor, and other refrigerant cycle parts. Your hands may suffer burns or frostbite if you touch the refrigerant pipes.
- **Do not operate the air conditioner with the panels and guards removed.**
  - Rotating, hot, or high-voltage parts can cause injuries.
- **Do not turn off the power immediately after stopping operation.**
  - Always wait at least five minutes before turning off the power. Otherwise, water leakage and trouble may occur.
- **Do not touch the surface of the compressor during servicing.**
  - If unit is connected to the supply and not running, crank case heater at compressor is operating.

## 4. Lifting method

[Fig. 4.0.1] (P.2)

### ⚠ Caution:

Be very careful when carrying the product.

- Do not have only one person to carry product if it is more than 20 kg.
- PP bands are used to pack some products. Do not use them as a mean for transportation because they are dangerous.
- Tear plastic packaging bag and scrap it so that children cannot play with it. Otherwise plastic packaging bag may suffocate children.
- When transporting the heat source unit, etc., by the hanger bolts, support it at four points. If it is supported at three points or less, it will become unstable when set down and may fall.

## 5. Installation of unit and service space

### 5.1. Installation

- Using the anchoring holes shown below, firmly bolt the unit to the base.

[Fig. 5.1.1] (P.2)

- Ⓐ Heat source unit    Ⓑ 4-ø14 (Anchoring hole)    Ⓒ (Top view)

#### Bases and anti-vibration

- Be sure to install unit in a place strong enough to withstand its weight. If the base is unstable, reinforce with a concrete base.
- The unit must be anchored on a level surface. Use a level to check after installation.
- Anti-vibration pads must be placed under the base of the unit.
- If the unit is installed near a room where noise is a problem, using an anti-vibration stand on the base of the unit is recommended.

[Fig. 5.1.2] (P.2)

- Ⓓ Anti-vibration pad    Ⓔ Concrete base

### ⚠ Warning:

- Be sure to install unit in a place strong enough to withstand its weight. Any lack of strength may cause unit to fall down, resulting in a personal injury.
- Have installation work in order to protect against earthquake. Any installation deficiency may cause unit to fall down, resulting in a personal injury.

### 5.2. Service space

- Please allow for the following service spaces after installation. (All servicing can be performed from the front of the unit)

[Fig. 5.2.1] (P.2)

- Ⓐ Piping space (for left piping)    Ⓑ Heat source unit  
Ⓒ Service space (front side)    Ⓓ (Top view)

[Fig. 5.2.2] (P.2)

- Ⓔ Piping space (for top piping)    Ⓕ Piping space (for left piping)  
Ⓖ Heat source unit    Ⓖ (Front view)

## 6. Water pipe installation

- City Multi WR2 Series pipes are similar to other air-conditioning pipes, however, please observe the following precautions during installation.

### 6.1. Precautions during installation

- Use the reverse-return method to insure proper pipe resistance to each unit.
- To insure easy maintenance, inspection, and replacement of the unit, use a proper joint, valve, etc. on the water intake and outlet port. In addition, be sure to install a strainer on the water intake pipe. (In order to maintain the heat source unit, a strainer on the circulating water inlet is necessary.)  
\* An example of the heat source unit installation is shown in the diagram below.
- Install a suitable air vent on the water pipe. After sending water through the pipe, be sure to vent the excess air.
- Compressed water may form in the low-temperature sections of heat source unit. Use a drainage pipe connected to the drain valve at the base of the unit to drain the water.
- There is a water vent plug in the center of the heat exchanger water inlet head at the middle of the unit. Use this for maintenance, etc.  
In addition, do not allow any of the unit's electrical parts (such as the solenoid valve coil or compressor power supply) to become wet.
- Install a back flow-prevention valve on the pump and a flexible joint to prevent excess vibration.
- Use a sleeve to protect the pipes where they go through a wall.
- Use metal fittings to secure the pipes, and install them so that they have maximum protection against breakage and bending.
- Do not confuse the water intake and outlet valves.
- This unit doesn't have any heater to prevent freezing within tubes. When the water flow is stopped on low ambient, take out the water from tubes.
- The unused knockout holes should be closed and the opening of refrigerant pipes, water pipes, power source and transmission wires should be filled with putty and so on to prevent from rain. (field construction)

#### Example of heat source unit installation (using left piping)

[Fig. 6.1.1] (P.2)

- Ⓐ Water circulation pipe    Ⓑ Close valve  
Ⓒ Close valve    Ⓓ Water outlet  
Ⓔ Refrigerant piping    Ⓕ Y-type strainer  
Ⓖ Water inlet    Ⓖ Drain pipe

### 6.2. Insulation installation

With City Multi WR2 Series piping, as long as the temperature range of the circulating water is kept to average temperatures year-round (30°C in the summer, 20°C

in the winter), there is no need to insulate or otherwise protect indoor piping from exposure. You should use insulation in the following situations:

- Any heat source piping.
- Indoor piping in cold-weather regions where frozen pipes are a problem.
- When air coming from the outside causes condensation to form on piping.
- Any drainage piping.

### 6.3. Water processing and water quality control

To preserve water quality, use the closed type of cooling tower for WR2. When the circulating water quality is poor, the water heat exchanger can develop scales, leading to a reduction in heat-exchange power and possible corrosion of the heat exchanger. Please pay careful attention to water processing and water quality control when installing the water circulation system.

- Removal of foreign objects or impurities within the pipes.  
During installation, be careful that foreign objects, such as welding fragments, sealant particles, or rust, do not enter the pipes.
- Water Quality Processing  
① Depending on the quality of the cold-temperature water used in the air-conditioner, the copper piping of the heat exchanger may become corroded. We recommend regular water quality processing.  
Cold water circulation systems using open heat storage tanks are particularly prone to corrosion.

#### ② Water quality standard

	Items	Standard values
Standard items	PH (25°C)	7.0 ~ 8.0
	Electric conductivity (25°C) (μ s/cm)	300 or less
	Chlorine ion Cl <sup>-</sup> (mg/l)	50 or less
	Sulfate ion SO <sub>4</sub> <sup>2-</sup> (mg/l)	50 or less
	M-alkalinity CaCO <sub>3</sub> (mg/l)	50 or less
	Total hardness CaCO <sub>3</sub> (mg/l)	70 or less
Reference items Note. 2	Iron Fe (mg/l)	1.0 or less
	Sulfur ion S <sup>2-</sup> (mg/l)	Not be detected
	Ammonium ion NH <sub>4</sub> <sup>+</sup> (mg/l)	Not be detected
	Silica SiO <sub>2</sub> (mg/l)	30 or less

Note. 2 It is clearly found that the component of the reference items will be hazardous, however, the quantitative relationship between the content and hazard has not been clarified yet. Therefore, they are listed as the reference items.

- ③ Please consult with a water quality control specialist about water quality control methods and water quality calculations before using anti-corrosive solutions for water quality management.
- ④ When replacing a previously installed air conditioning device (even when only the heat exchanger is being replaced), first conduct a water quality analysis and check for possible corrosion. Corrosion can occur in cold-water systems even if there has been no prior signs of corrosion. If the water quality level has dropped, please adjust water quality sufficiently before replacing the unit.

## 6.4. Pump interlock

The heat source unit may become damaged if it is operated with no water circulating through the pipes.

Be sure to interlock unit operation and the water-circuit pump. Use the terminal blocks for interlocking (TB8-3, 4) that can be found on the unit.

In the case of a pump interlock circuit signal connection to the TB8-3, 4, remove the short-circuit wire. Also, to prevent mistaken error detection, resulting from a poor connection, in the pressure valve 63PW, use a low maintained current of 5mA or less.

[Fig. 6.4.1] (P.2)

- Ⓐ Short-circuit wire (Connected before delivery from manufacturer)
- Ⓑ Pump interlock circuit connection

## 7. Refrigerant piping installation

City Multi WR2 Series is constituted by an end branching system in which the refrigerant piping from heat source unit is branched at BC controller and connected to each indoor unit.

The connection method adapted is flange connection for low pressure pipe and flare connection for high pressure pipe between heat source unit and BC controller, and flare connection between BC controller and indoor unit. Brazing connection is employed for joint pipe set and branch pipe set.

### ⚠ Warning:

**Always use extreme care to prevent the refrigerant gas (R407C) from leaking while using fire or flame. If the refrigerant gas comes in contact with the flame from any source, such as a gas stove, it breaks down and generates a poisonous gas which can cause gas poisoning. Never weld in an unventilated room. Always conduct an inspection for gas leakage after installation of the refrigerant piping has been completed.**

### 7.1. Caution

- ① Use the following materials for refrigeration piping.
  - Material: Use refrigerant piping made of phosphorus deoxidized copper. In addition, be sure that the inner and outer surfaces of the pipes are clean and free of hazardous sulphur, oxides, dust/dirt, shaving particles, oils, moisture, or any other contaminant. (For R407C models)
- ② Commercially available piping often contains dust and other materials. Always blow it clean with a dry inert gas.
- ③ Use care to prevent dust, water or other contaminants from entering the piping during installation.
- ④ Reduce the number of bending portions as much as possible, and make bending radius as big as possible.
- ⑤ Always observe the restrictions on the refrigerant piping (such as rated length, the difference between high/low pressures, and piping diameter). Failure to do so can result in equipment failure or a decline in heating/cooling performance.
- ⑥ The City Multi WR2 Series will stop due an abnormality due to excessive or insufficient coolant. At such a time, always properly charge the unit. When servicing, always check the notes concerning pipe length and amount of additional refrigerant at both locations, the refrigerant volume calculation table on the back of the service panel and the additional refrigerant section on the labels for the combined number of indoor units.
- ⑦ **Use liquid refrigerant to fill the system.**
- ⑧ Never use refrigerant to perform an air purge. Always evacuate using a vacuum pump.
- ⑨ Always insulate the piping properly. Insufficient insulation will result in a decline in heating/cooling performance, water drops from condensation and other such problems.
- ⑩ When connecting the refrigerant piping, make sure the ball valve of the heat source unit is completely closed (the factory setting) and do not operate it until the refrigerant piping for the heat source and indoor units has been connected, a refrigerant leakage test has been performed and the evacuation process has been completed.

- ⑪ Always use a non-oxidizing brazing material for brazing the parts. If a non-oxidizing brazing material is not used, it could cause clogging or damage to the compressor unit.
- ⑫ **Never perform heat source unit piping connection work when it is raining.**

### ⚠ Warning:

**When installing and moving the unit, do not charge it with refrigerant other than the refrigerant specified on the unit.**

- Mixing of a different refrigerant, air, etc. may cause the refrigerant cycle to malfunction and result in severe damage.

### ⚠ Caution:

- **Use a vacuum pump with a reverse flow check valve. (For R407C models)**
  - If the vacuum pump does not have a reverse flow check valve, the vacuum pump oil may flow back into the refrigerant cycle and cause deterioration of the refrigerator oil and other trouble.
- **Do not use the tools shown below used with conventional refrigerant. (For R407C models)**

**(Gauge manifold, charge hose, gas leak detector, check valve, refrigerant charge base, vacuum gauge, refrigerant recovery equipment)**

  - Mixing of conventional refrigerant and refrigerator oil may cause the refrigerator oil to deteriorate.
  - Mixing of water will cause the refrigerator oil to deteriorate.
  - R407C refrigerant does not contain any chlorine. Therefore, gas leak detectors for conventional refrigerants will not react to it.
- **Manage the tools more carefully than normal. (For R407C models)**
  - If dust, dirt, or water gets in the refrigerant cycle, the refrigerator oil will deteriorate.
- **Never use existing refrigerant piping. (For R407C models)**
  - The large amount of chlorine in conventional refrigerant and refrigerator oil in the existing piping will cause the new refrigerant to deteriorate.
- **Store the piping to be used during installation indoors and keep both ends of the piping sealed until just before brazing.**
  - If dust, dirt, or water gets into the refrigerant cycle, the oil will deteriorate and the compressor may fail.
- **Do not use a charging cylinder. (For R407C models)**
  - Using a charging cylinder may cause the refrigerant to deteriorate.
- **Do not use special detergents for washing piping.**

## 7.2. Refrigerant piping system

Connection Example

[Fig. 7.2.1] (P.3)

- Ⓐ High pressure pipe
- Ⓑ Low pressure pipe
- Ⓒ Connection of heat source unit/BC controller
- Ⓓ Total capacity of indoor units
- Ⓔ Liquid line
- Ⓕ Gas line
- Ⓖ Model number
- Ⓗ BC controller
- Ⓘ Indoor unit (20~140)
- Ⓙ Indoor unit (200, 250)

## 8. Additional refrigerant charge

At the time of shipping, the heat source unit is charged with the refrigerant. As this charge does not include the amount needed for extended piping, additional charging for each refrigerant line will be required on site. In order that future servicing may be properly provided, always keep a record of the size and length of each refrigerant line and the amount of additional charge by writing it in the space provided on the heat source unit.

### 8.1. Calculation of additional refrigerant charge

- Calculate the amount of additional charge based on the length of the piping extension and the size of the refrigerant line.
- Use the table to the right as guide to calculating the amount of additional charging and charge the system according.
- If the calculation results in a fraction of less than 0.1 kg. For example, if the result of the calculation was 10.62 kg, round the result up to 10.7 kg.



<Additional Charge>

$$\begin{matrix} \text{Additional} \\ \text{refrigerant} \\ \text{charge} \\ \text{(kg)} \end{matrix} = \begin{matrix} \text{Liquid pipe size} \\ \text{Total length of} \\ \text{\textcircled{A}}19.05 \times 0.16 \\ \text{(m)} \times 0.16 \text{ (kg/m)} \end{matrix} + \begin{matrix} \text{Liquid pipe size} \\ \text{Total length of} \\ \text{\textcircled{B}}9.52 \times 0.06 \\ \text{(m)} \times 0.06 \text{ (kg/m)} \end{matrix} + \begin{matrix} \text{Liquid pipe size} \\ \text{Total length of} \\ \text{\textcircled{C}}6.35 \times 0.024 \\ \text{(m)} \times 0.024 \text{ (kg/m)} \end{matrix} + \alpha$$

<Example>

Indoor	1: 40	A: ø19.05	40 m	a: ø6.35	10 m	} At the conditions below:
	2: 100	B: ø9.52	10 m	b: ø9.52	5 m	
	3: 40	C: ø9.52	15 m	c: ø6.35	10 m	
	4: 32			d: ø6.35	10 m	
	5: 63			e: ø9.52	10 m	

The total length of each liquid line is as follows:

- ø19.05: A = 40 m
- ø9.52: B + b + e = 10 + 5 + 10 = 25 m
- ø6.35: a + c + d = 10 + 10 + 10 = 30 m

Therefore,

<Calculation example>

Additional refrigerant charge  
= 40 × 0.16 + 25 × 0.06 + 30 × 0.024 + 2 = 10.7 kg

Value of α

Total capacity of connecting indoor units	α
to Model 80	1.0 kg
Models 81 to 160	1.5 kg
Models 161 to 330	2.0 kg
Models 331 to 375	2.5 kg

## 8.2. Caution for piping connection/valve operation

- Conduct piping connection and valve operation accurately.
- The gas side connecting pipe is being assembled for shipment.
  - ① For brazing to the connecting pipe with flange, remove the connecting pipe with flange from the ball valve, and braze it at the outside of the unit.
  - ② During the time when removing the connecting pipe with flange, remove the seal attached on the back side of this sheet and paste it onto the flange surface of the ball valve to prevent the entry of dust into the valve.
  - ③ The refrigerant circuit is closed with a round, close-packed packing at the shipment to prevent gas leak between flanges. As no operation can be done under this state, be sure replace the packing with the hollow packing attached at the piping connection.
  - ④ At the mounting of the hollow packing, wipe off dust attached on the flange sheet surface and the packing. Coat refrigerating machine oil (Ester oil, ether oil or alkylbenzene [small amount]) onto both surfaces of the packing.

[Fig. 8.2.1] (P.3)

- After evacuation and refrigerant charge, ensure that the handle is fully open. If operating with the valve closed, abnormal pressure will be imparted to the high- or low-pressure side of the refrigerant circuit, giving damage to the compressor, four-way valve, etc.
- Determine the amount of additional refrigerant charge by using the formula, and charge refrigerant additionally through the service port after completing piping connection work.
- After completing work, tighten the service port and cap securely not to generate gas leak.

[Fig. 8.2.2] (P.3)

<A> [Ball valve (low pressure side)]

<B> [Ball valve (high pressure side)]

(This figure shows the valve in the fully open state.)

- Ⓐ Valve stem  
[Fully closed at the factory, when connecting the piping, when evacuating, and when charging additional refrigerant. Open fully after the operations above are completed.]
- Ⓑ Stopper pin [Prevents the valve stem from turning 90° or more.]
- Ⓒ Packing (accessory)
- Ⓓ Connecting pipe (accessory)  
[Use packing and securely install this pipe to the valve flange so that gas leakage will not occur. (Tightening torque: 25 N·m (250 kg·cm)) Coat both surfaces of the packing with refrigerator oil (Ester oil, ether oil or alkylbenzene [small amount]).]

- Ⓔ Open (Operate slowly)
- Ⓕ Cap, copper packing  
[Remove the cap and operate the valve stem. Always reinstall the cap after operation is completed. (Valve stem cap tightening torque: 25 N·m (250 kg·cm) or more)]
- Ⓖ Service port  
[Use this port to evacuate the refrigerant piping and add an additional charge at the site.  
Open and close the port using a double-ended wrench.  
Always reinstall the cap after operation is completed. (Service port cap tightening torque: 14 N·m (140 kg·cm) or more)]
- Ⓗ Flare nut  
[Tightening torque: 120 N·m (1200 kg·cm)  
Loosen and tighten this nut using a double-ended wrench.  
Coat the flare contact surface with refrigerator oil (Ester oil, ether oil or alkylbenzene [small amount]).]
- ⓪ ø19.05
- ⓫ ø25.4 (PQRY-P200)  
ø28.58 (PQRY-P250)
- ⓬ Field piping  
[Braze to the connecting pipe. (When brazing, use unoxidized brazing.)]
- ⓭ Close-packed packing
- ⓮ Hollow packing

Appropriate tightening torque by torque wrench:

Copper pipe external dia. (mm)	Tightening torque (N·m) / (kg·cm)
ø6.35	14 to 18 / 140 to 180
ø9.52	35 to 42 / 350 to 420
ø12.7	50 to 57.5 / 500 to 575
ø15.88	75 to 80 / 750 to 800
ø19.05	100 to 140 / 1000 to 1400

Tightening angle standard:

Pipe diameter (mm)	Tightening angle (°)
ø6.35, ø9.52	60 to 90
ø12.7, ø15.88	30 to 60
ø19.05	20 to 35

[Fig. 8.2.3] (P.3)

Note:

**If a torque wrench is not available, use the following method as a standard: When you tighten the flare nut with a wrench, you will reach a point where the tightening torque will abrupt increase. Turn the flare nut beyond this point by the angle shown in the table above.**

**⚠ Caution:**

- **Always remove the connecting pipe from the ball valve and braze it outside the unit.**
  - Brazing the connecting pipe while it is installed will heat the ball valve and cause trouble or gas leakage. The piping, etc. inside the unit may also be burned.
- **Use ester oil, ether oil or alkylbenzene (small amount) as the refrigerator oil to coat flares and flange connections. (For R407C models)**
  - The refrigerator oil will degrade if it is mixed with a large amount of mineral oil.
- **Do not use a leak detection additive.**

## 8.3. Airtight test, evacuation, and refrigerant charging

① Airtight test

Perform with the ball valve of the heat source unit closed, and pressurize the connection piping and the indoor unit from the service port provided on the ball valve of the heat source unit. (Always pressurize from both the high pressure pipe and the low pressure pipe service ports.)

[Fig. 8.3.1] (P.3)

- Ⓐ Nitrogen gas
- Ⓑ To indoor unit
- Ⓒ System analyzer
- Ⓓ Lo Knob
- Ⓔ Hi Knob
- Ⓕ Ball valve
- Ⓖ Low pressure pipe
- Ⓗ High pressure pipe
- ⓪ Heat source unit
- ⓫ Service port

<For R407C models>

The method of conducting the airtight test is basically the same as for R22 models. However, since the restrictions have a large affect on deterioration of the refrigerator oil, always observe them. Also, with nonazeotropic refrigerant (R407C, etc.), gas leakage causes the composition to change and affects performance. Therefore, perform the airtightness test cautiously.

Airtight test procedure	Restriction
<p>1. Nitrogen gas pressurization</p> <p>(1) After pressurizing to the design pressure (2.94 MPa) using nitrogen gas, let stand for about one day. If the pressure does not drop, airtightness is good. However, if the pressure drops, since the leaking point is unknown, the following bubble test may also be performed.</p> <p>(2) After the pressurization described above, spray the flare connection parts, brazed parts, flanges, and other parts that may leak with a bubbling agent (Kyuboflex, etc.) and visually check for bubbles.</p> <p>(3) After the airtight test, wipe off the bubbling agent.</p>	<ul style="list-style-type: none"> <li>If a flammable gas or air (oxygen) is used as the pressurization gas, it may catch fire or explode.</li> </ul>
<p>2. Pressurization using refrigerant gas and nitrogen gas</p> <p>(1) Pressurizing to a gas pressure of approximately 0.2 MPa, pressurize to the design pressure (2.94 MPa) using nitrogen gas. However, do not pressurize at one time. Stop during pressurization and check that the pressure does not drop.</p> <p>(2) Check for gas leaks by checking the flare connection parts, brazed parts, flanges, and other parts which may leak using an R407C compatible electric leak detector.</p> <p>(3) This test may be used together with the bubble type gas leak test.</p>	<ul style="list-style-type: none"> <li>Do not use a refrigerant other than that indicated on the unit.</li> <li>Sealing with gas from a cylinder will cause the composition of the refrigerant in the cylinder to change. (For R407C models)</li> <li>Use a pressure gauge, charge box, and other parts especially for R407C. (For R407C models)</li> <li>An electric leak detector for R22 cannot detect leaks of R407C.</li> <li>Do not use a haloid torch. (Leaks cannot be detected.)</li> </ul>

## ② Evacuation

Evacuate with the ball valve of the heat source unit closed and evacuate both the connection piping and the indoor unit from the service port provided on the ball valve of the heat source unit using a vacuum pump. (Always evacuate from the service port of both the high pressure pipe and the low pressure pipe.) After the vacuum reaches 650 Pa [abs], continue evacuation for at least one hour or more.

\* Never perform air purging using refrigerant.

### [Fig. 8.3.2] (P.3)

- |                   |                     |                      |
|-------------------|---------------------|----------------------|
| Ⓐ System analyzer | Ⓑ Lo Knob           | Ⓒ Hi Knob            |
| Ⓓ Ball valve      | Ⓔ Low pressure pipe | Ⓕ High pressure pipe |
| Ⓔ Service port    | Ⓖ Three-way joint   | Ⓗ Valve              |
| Ⓙ Valve           | Ⓚ Cylinder          | Ⓛ Scale              |
| Ⓜ Vacuum pump     |                     |                      |

### Note:

- Always add an appropriate amount of refrigerant. Also always seal the system with liquid refrigerant. Too much or too little refrigerant will cause trouble.
- Use a gauge manifold, charging hose, and other parts for the refrigerant indicated on the unit.
- Use a gravimeter. (One that can measure down to 0.1 kg.)
- Use a vacuum pump with a reverse flow check valve. (For R407C models) (Recommended vacuum gauge: ROBINAIR 14830A Thermistor Vacuum Gauge)  
Also use a vacuum gauge that reaches 0.5 Torr or greater after operating for five minutes.

## ③ Refrigerant Charging (For R407C models)

Since the refrigerant used with the unit is nonazotropic, it must be charged in the liquid state. Consequently, when charging the unit with refrigerant from a cylinder, if the cylinder does not have a syphon pipe, charge the liquid refrigerant by turning the cylinder upside-down as shown below. If the cylinder has a syphon pipe like that shown in the figure at the right, the liquid refrigerant can be charged with the cylinder standing upright. Therefore, give careful attention to the cylinder specifications. If the unit should be charged with gas refrigerant, replace all the refrigerant with new refrigerant. Do not use the refrigerant remaining in the cylinder.

### [Fig. 8.3.3] (P.3)

## 8.4. Thermal insulation of refrigerant piping

Be sure to give insulation work to refrigerant piping by covering liquid pipe and gas pipe separately with enough thickness heat-resistant polyethylene, so that no gap is observed in the joint between indoor unit and insulating material, and insulating materials themselves. When insulation work is insufficient, there is a possibility of condensation drip, etc. Pay special attention to insulation work to ceiling plenum.

### [Fig. 8.4.1] (P.4)

- |                                    |                              |
|------------------------------------|------------------------------|
| Ⓐ Steel wire                       | Ⓑ Piping                     |
| Ⓒ Asphaltic oily mastic or asphalt | Ⓓ Heat insulation material A |
| Ⓔ Outer covering B                 |                              |

Heat insulation material A	Glass fiber + Steel wire	
	Adhesive + Heat - resistant polyethylene foam + Adhesive tape	
Outer covering B	Indoor	Vinyl tape
	Floor exposed	Water-proof hemp cloth + Bronze asphalt
	Heat source	Water-proof hemp cloth + Zinc plate + Oily paint

### Note:

- When using polyethylene cover as covering material, asphalt roofing shall not be required.
- No heat insulation must be provided for electric wires.

### [Fig. 8.4.2] (P.4)

- |                      |                     |                 |
|----------------------|---------------------|-----------------|
| Ⓐ High pressure pipe | Ⓑ Low pressure pipe | Ⓒ Electric wire |
| Ⓓ Finishing tape     | Ⓔ Insulator         |                 |

### [Fig. 8.4.3] (P.4)

## Penetrations

### [Fig. 8.4.4] (P.4)

- |   |                            |
|---|----------------------------|
| <A> Inner wall (concealed)                              | <B> Outer wall             |
| <C> Outer wall (exposed)                                | <D> Floor (fireproofing)   |
| <E> Roof pipe shaft                                     |                            |
| <F> Penetrating portion on fire limit and boundary wall |                            |
| Ⓐ Sleeve  | Ⓑ Heat insulating material |
| Ⓒ Lagging   | Ⓓ Caulking material        |
| Ⓔ Band  | Ⓕ Waterproofing layer      |
| Ⓖ Sleeve with edge                                      | Ⓗ Lagging material         |
| Ⓙ Mortar or other incombustible caulking                |                            |
| Ⓛ Incombustible heat insulation material                |                            |

When filling a gap with mortar, cover the penetration part with steel plate so that the insulation material will not be caved in. For this part, use incombustible materials for both insulation and covering. (Vinyl covering should not be used.)

## 9. Wiring

### 9.1. Caution

- ① Follow ordinance of your governmental organization for technical standard related to electrical equipment, wiring regulations and guidance of each electric power company.
- ② Wiring for control (hereinafter referred to as transmission line) shall be (5 cm or more) apart from power source wiring so that it is not influenced by electric noise from power source wiring. (Do not insert transmission line and power source wire in the same conduit.)
- ③ Be sure to provide designated grounding work to heat source unit.
- ④ Give some allowance to wiring for electrical part box of indoor and heat source units, because the box is sometimes removed at the time of service work.
- ⑤ Never connect the main power source to terminal block of transmission line. If connected, electrical parts will be burnt out.
- ⑥ Use 2-core shield cable for transmission line. If transmission lines of different systems are wired with the same multicore cable, the resultant poor transmitting and receiving will cause erroneous operations.
- ⑦ Only the transmission line specified should be connected to the terminal block for heat source unit transmission.  
(Transmission line to be connected with indoor unit : Terminal block TB3 for transmission line, Other : Terminal block TB7 for centralized control)  
Erroneous connection does not allow the system to operate.
- ⑧ In case to connect with the upper class controller or to conduct group operation in different refrigerant systems, the control line for transmission is required between the heat source units each other.  
Connect this control line between the terminal blocks for centralized control. (2-wire line with no polarity)  
When conducting group operation in different refrigerant systems without connecting to the upper class controller, replace the insertion of the short circuit connector from CN41 of one heat source unit to CN40.
- ⑨ Group is set by operating the remote controller.
- ⑩ The unused knockout holes should be closed and the opening of refrigerant pipes, water pipes, power source and transmission wires should be filled with putty and so on to prevent from rain. (field construction)

### 9.2. Control box and connecting position of wiring

1. Connect the indoor unit transmission line to transmission terminal block (TB3), or connect the wiring between heat source units or the wiring with the central control system to the central control terminal block (TB7).

### Example of a group operation system with multiple heat source units (Shielding wires and address setting are necessary.)

<Examples of Transmission Cable Wiring>

[Fig. 9.3.1] M-NET Remote controller (P.4)

[Fig. 9.3.2] MA Remote controller (P.4)

- Ⓐ Group 1      Ⓑ Group 3      Ⓒ Group 5      Ⓓ Shielded Wire      Ⓔ Sub Remote Controller  
( ) Address

<Wiring Method and Address Settings>

- a. Always use shielded wire when making connections between the heat source unit (OC) and the indoor unit (IC), as well for all OC-OC, and IC-IC wiring intervals.
- b. Use feed wiring to connect terminals M1 and M2 and the ground terminal on the transmission cable terminal block (TB3) of each heat source unit (OC) to terminals M1, M2 and terminal S on the transmission cable block of the indoor unit (IC).
- c. Connect terminals 1 (M1) and 2 (M2) on the transmission cable terminal block of the indoor unit (IC) that has the most recent address within the same group to the terminal block on the remote controller (RC).
- d. Connect together terminals M1, M2 and terminal S on the terminal block for central control (TB7) for the heat source unit (OC).
- e. On one heat source unit only, change the jumper connector on the control panel from CN41 to CN40.
- f. Connect the terminal S on the terminal block for central control (TB7) for the heat source unit (OC) for the unit into which the jumper connector was inserted into CN40 in Step above to the ground terminal (Ⓧ) in the electrical component box.
- g. Set the address setting switch as follows.  
\* To set the heat source unit address to 100, the heat source address setting switch must be set to 50.

Unit	Range	Setting Method
IC (Main)	01 to 50	Use the most recent address within the same group of indoor units
IC (Sub)	01 to 50	Use an address, other than that of the IC (Main) from among the units within the same group of indoor units. This must be in sequence with the IC (Main)
Heat source Unit	51 to 100	Use the most recent address of all the indoor units plus 50
BC controller	51 to 100	Heat source unit address plus 1
M-NET R/C (Main)	101 to 150	Set at an IC (Main) address within the same group plus 100
M-NET R/C (Sub)	151 to 200	Set at an IC (Main) address within the same group plus 150
MA R/C	-	Unnecessary address setting (Necessary main/sub setting)

- h. The group setting operations among the multiple indoor units is done by the remote controller (RC) after the electrical power has been turned on.

When using shielded wiring, connect shield ground of the indoor unit transmission line to the earth screw (Ⓧ) and connect shield ground of the line between heat source units and the central control system transmission line to the shield (S) terminal of the central control terminal block (TB7) shield (S) terminal. In addition, in the case of heat source units whose power supply connector CN41 has been replaced by CN40, the shield terminal (S) of terminal block (TB7) of the central control system should also be connected to the ground (Ⓧ).

[Fig. 9.2.1] (P.4)

- Ⓐ Power source      Ⓑ Transmission line

2. Conduit mounting plates (ø27) are being provided. Pass the power supply and transmission wires through the appropriate knock-out holes, then remove the knock-out piece from the bottom of the terminal box and connect the wires.
3. Fix power source wiring to terminal box by using buffer bushing for tensile force (PG connection or the like).

### 9.3. Wiring transmission cables

#### ① Types of control cables

1. Wiring transmission cables
  - Types of transmission cables: Shielding wire CVVS or CPEVS
  - Cable diameter: More than 1.25 mm<sup>2</sup>
  - Maximum wiring length: Within 200 m
2. Remote control cables

Kind of remote control cable	2-core cable (unshielded)
Cable diameter	0.3 to 1.25 mm <sup>2</sup>
Remarks	When 10 m is exceeded, use cable with the same specifications as (1) Transmission line wiring

#### ② Wiring examples

- Controller name, symbol and allowable number of controllers.

Name	Symbol	Allowable number of controllers
heat source unit controller	OC	
BC Controller	BC	One controller for one OC
Indoor Unit Controller	IC	Two to ten controllers for one OC
Remote Controller	RC	Maximum of two per group

<Permissible Lengths>

① **M-NET Remote controller**

- Max length via heat source units: L<sub>1</sub>+L<sub>2</sub>+L<sub>3</sub>+L<sub>4</sub> and L<sub>1</sub>+L<sub>2</sub>+L<sub>3</sub>+L<sub>5</sub> and L<sub>1</sub>+L<sub>2</sub>+L<sub>6</sub>+L<sub>7</sub> ≤ 500 m (1.25 mm<sup>2</sup> or more)
- Max transmission cable length: L<sub>1</sub> and L<sub>3</sub>+L<sub>4</sub> and L<sub>3</sub>+L<sub>5</sub> and L<sub>6</sub> and L<sub>2</sub>+L<sub>6</sub> and L<sub>7</sub> ≤ 200 m (1.25 mm<sup>2</sup> or more)
- Remote controller cable length: ℓ<sub>1</sub>, ℓ<sub>2</sub>, ℓ<sub>3</sub>, ℓ<sub>4</sub> ≤ 10 m (0.3 to 1.25 mm<sup>2</sup>)  
If the length exceeds 10 m, use a 1.25 mm<sup>2</sup> shielded wire. The length of this section (L<sub>s</sub>) should be included in the calculation of the maximum length and overall length.

② **MA Remote controller**

- Max length via heat source unit (M-NET cable): L<sub>1</sub>+L<sub>2</sub>+L<sub>3</sub>+L<sub>4</sub> and L<sub>1</sub>+L<sub>2</sub>+L<sub>6</sub>+L<sub>7</sub> ≤ 500 m (1.25 mm<sup>2</sup> or more)
- Max transmission cable length (M-NET cable): L<sub>1</sub> and L<sub>3</sub>+L<sub>4</sub> and L<sub>6</sub> and L<sub>2</sub>+L<sub>6</sub> and L<sub>7</sub> ≤ 200 m (1.25 mm<sup>2</sup> or more)
- Remote controller cable length: m<sub>1</sub> and m<sub>1</sub>+m<sub>2</sub>+m<sub>3</sub> and m<sub>1</sub>+m<sub>2</sub>+m<sub>3</sub>+m<sub>4</sub> ≤ 200 m (0.3 to 1.25 mm<sup>2</sup>)

## 9.4. Wiring of main power supply and equipment capacity

Schematic Drawing of Wiring (Example)

[Fig. 9.4.1] (P.4)

- Ⓐ Switch (Breakers for Wiring and Current Leakage)
- Ⓑ Heat source Unit
- Ⓒ BC Controller
- Ⓓ Pull Box
- Ⓔ Indoor Unit
- Ⓕ Breakers for Current Leakage

### Thickness of Wire for Main Power Supply and On/Off Capacities

Model		Minimum Wire Thickness (mm <sup>2</sup> )			Switch (A)		Breaker for Wiring (NFB)	Breaker for Current Leakage
		Main Cable	Branch	Ground	Capacity	Fuse		
Heat source Unit	P200	4.0	—	4.0	32	32	40A	30A 100mA 0.1sec. or less
	P250	6.0	—	6.0	40	40	40A	40A 100mA 0.1sec. or less
BC controller		1.5	1.5	1.5	16	16	20A	20A 30mA 0.1sec. or less
Indoor Unit								

1. Use a separate power supply for the heat source unit and indoor unit.
2. Bear in mind ambient conditions (ambient temperature, direct sunlight, rain water, etc.) when proceeding with the wiring and connections.
3. The wire size is the minimum value for metal conduit wiring. The power cord size should be 1 rank thicker consideration of voltage drops.  
Make sure the power-supply voltage does not drop more than 10 %.
4. Specific wiring requirements should adhere to the wiring regulations of the region.
5. Power supply cords of parts of appliances for heat source use shall not be lighter than polychloroprene sheathed flexible cord (design 245 IEC57).
6. A switch with at least 3 mm contact separation in each pole shall be provided by the Air conditioner installation.

**Warning:**

- Be sure to use specified wires to connect so that no external force is imparted to terminal connections. If connections are not fixed firmly, it may cause heating or fire.
- Be sure to use the appropriate type of overcurrent protection switch. Note that generated overcurrent may include some amount of direct current.

**Caution:**

- Some installation site may require attachment of an earth leakage breaker. If no earth leakage breaker is installed, it may cause an electric shock.
- Do not use anything other than breaker and fuse with correct capacity. Using fuse and wire or copper wire with too large capacity may cause a malfunction of unit or fire.

## 10. Test run

### 10.1. The following phenomena do not represent trouble (emergency)

Phenomenon	Display of remote controller	Cause
Indoor unit and BC controller generate sound at the cooling/heating change over sometime.	<b>Normal display</b>	This is not a trouble as it is just a selecting sound.
Indoor unit does not perform cooling (heating) operation.	<b>"Cooling (heating)" flashes</b>	When multiple indoor units (max. 3) are connected to the same branch of the BC controller, the heating (cooling) operation cannot be performed while another indoor unit is performing a cooling (heating) operation.
The auto vane runs freely.	<b>Normal display</b>	Because of the control operation of auto vane, it may change over to horizontal blow automatically from the downward blow in cooling in case the downward blow operation has been continued for 1 hour. At defrosting in heating, hot adjusting and thermostat OFF, it automatically changes over to horizontal blow.
Fan setting changes during heating.	<b>Normal display</b>	Ultra-low speed operation is commenced at thermostat OFF. Light air automatically changes over to set value by time or piping temperature at thermostat ON.
Fan stops during heating operation.	<b>Defrost display</b>	The fan is to stop during defrosting.
Fan does not stop while operation has been stopped.	<b>No lighting</b>	Fan is to run for 1 minute after stopping to exhaust residual heat (only in heating).
No setting of fan while start SW has been turned on.	<b>Heat ready</b>	Ultra low-speed operation for 5 minutes after SW ON or until piping temperature becomes 35°C, low speed operation for 2 minutes thereafter, and then set notch is commenced. (Hot adjust control)
Heat source unit does not operate by turning switch on.	<b>Normal display</b>	When the heat source unit is being cooled and the refrigerant is resting, warming up operation is performed for at least 35 minutes to warm the compressor. During this time, only the fan operates.
Indoor unit remote controller shows "HO" indicator for about two minutes when turning ON universal power supply.	<b>"HO" flashes</b>	System is being driven. Operate remote controller again after "HO" disappear.
Drain pump does not stop while unit has been stopped.	<b>Light out</b>	After a stop of cooling operation, unit continues to operate drain pump for three minutes and then stops it.
Drain pump continues to operate while unit has been stopped.		Unit continues to operate drain pump if drainage is generated, even during a stop.

# Inhalt

1. Sicherheitsvorkehrungen .....	13	7. Installation der Kältemittelleitungen .....	16
1.1. Vor Installations- und Elektroarbeiten .....	13	7.1. Vorsicht .....	16
1.2. Vorsichtsmaßnahmen für Vorrichtungen, die das Kältemittel R407C verwenden .....	14	7.2. Das Kältemittel Rohrsystem .....	17
1.3. Vor der Aufstellung .....	14	8. Zusätzliches Kühlmittel einfüllen .....	17
1.4. Vor dem Einbau (der Ortsveränderung) - Elektroarbeiten .....	14	8.1. Kalkulation des zusätzlichen Kühlmittels .....	17
1.5. Vor Installationsbeginn .....	14	8.2. Vorsichtsmaßnahmen für Rohranschluss/Ventilbetrieb .....	17
2. Kombination mit Innenaggregaten .....	15	8.3. Überprüfung der Dichtheit, Evakuieren und Einfüllen von Kältemitteln .....	18
3. Überprüfung des Lieferumfangs .....	15	8.4. Kälte­dämmung und Kältemittelleitung .....	19
4. Hebemethode .....	15	9. Verdrahtung .....	19
5. Aufstellung der Anlage und Freiraum für Bedienung und Wartung .....	15	9.1. Vorsicht .....	19
5.1. Einbau .....	15	9.2. Reglerkasten und Kabelanschlusspunkte .....	19
5.2. Freiraum für Bedienung und Wartung .....	15	9.3. Übertragungskabelanschluss .....	19
6. Installation der Wasserrohrleitung .....	15	9.4. Verdrahtung der Hauptspannungsversorgung und Kapazität der Einheiten .....	20
6.1. Vorsichtsmaßnahmen während der Installation .....	15	10. Testbetrieb .....	21
6.2. Anbringung der Isolierung .....	16	10.1. Die folgenden Symptome sind nicht als Betriebsstörungen (Notfall) anzusehen .....	21
6.3. Wasserbehandlung und Kontrolle der Wasserqualität .....	16		
6.4. Pumpenverriegelung .....	16		

## 1. Sicherheitsvorkehrungen

### 1.1. Vor Installations- und Elektroarbeiten

- ▶ **Vor dem Einbau der Anlage vergewissern, daß Sie alle Informationen über "Sicherheitsvorkehrungen" gelesen haben.**
- ▶ **Die "Sicherheitsvorkehrungen" enthalten sehr wichtige Sicherheitsgesichtspunkte. Sie sollten sie unbedingt befolgen.**

#### Im Text verwendete Symbole





##### **Warnung:**

Beschreibt Vorkehrungen, die beachtet werden sollten, um den Benutzer vor der Gefahr von Verletzungen oder tödlicher Unfälle zu bewahren.

##### **Vorsicht:**

Beschreibt Vorkehrungen, die beachtet werden sollten, um die Anlage vor Schäden zu bewahren.

#### Innerhalb der Abbildungen verwendete Symbole

-  : Verweist auf eine Handlung, die unterbleiben muß.
-  : Verweist auf wichtige Anweisungen, die befolgt werden müssen.
-  : Verweist auf ein Teil, das geerdet werden muß.
-  : Gefahr von elektrischem Schlag. (Dieses Symbol findet sich als Aufkleber auf der Hauptanlage.) <Farbe: gelb>

##### **Warnung:**

**Die auf der Hauptanlage angebrachten Aufkleber sorgfältig lesen.**

##### **Warnung:**

- **Bitte Sie Ihren Fachhändler oder einen geprüften Fachtechniker, die Installation der Anlage vorzunehmen.**
  - Unsachgemäße Installation durch den Benutzer kann Wasseraustritt, Stromschläge oder Brände verursachen.
- **Die Anlage an einem Ort installieren, der genügend Tragkraft für deren Gewicht besitzt.**
  - Bei ungenügender Tragkraft kann das Gerät herunterfallen und Verletzungen verursachen.
- **Zur Verdrahtung die angegebenen Kabel verwenden. Die Anschlüsse so sichern, daß Zugspannung von außen nicht auf die Klemmen wirken kann.**
  - Falscher Anschluß und falsche Befestigung führen zu Wärmebildung und verursachen Brände.
- **Vorsorge gegen Regen, sonstige Feuchtigkeit und Erdbeben treffen und das Gerät an einem den Angaben entsprechenden Ort installieren.**
  - Bei unsachgemäßer Installation kann das Gerät herunterfallen und Verletzungen verursachen.
- **Stets einen Filter und sonstiges Zubehör gemäß Angaben von Mitsubishi Electric verwenden.**
  - Einen geprüften Techniker bitten, die Zusatzeinrichtungen zu installieren. Unsachgemäße Installation durch den Benutzer kann zu Wasseraustritt, Stromschlägen oder Bränden führen.
- **Die Anlage niemals selbst reparieren. Wenn die Anlage repariert werden muß, wenden Sie bitte sich an den Fachhändler.**
  - Wenn die Anlage unsachgemäß repariert wird, kann dies zu Wasseraustritt, Stromschlägen oder Bränden führen.

- **Wenn Kältemittelgas während der Installationsarbeiten austritt, den Raum gründlich lüften.**
  - Wenn das Kältemittelgas auf offenes Feuer trifft, wird giftiges Gas freigesetzt.
- **Die Anlage gemäß Anweisungen in diesem Installations-handbuch installieren.**
  - Bei unsachgemäßer Installation kann dies zu Wasseraustritt, Stromschlägen oder Bränden führen.
- **Elektroarbeiten durch einen zugelassenen Fachelektriker in Übereinstimmung mit dem "Electric Facility Engineering Standard" - (Technische Normen für Elektroeinrichtungen), den "Interior Wire Regulations" - (Vorschriften zur Innenverdrahtung) und den in diesem Handbuch gegebenen Anweisungen vornehmen. Anlage auch immer an einen gesonderten Stromkreis anschließen.**
  - Wenn die Leistung der Stromquelle ungenügend ist oder die Elektroarbeiten unsachgemäß ausgeführt wurden, kann dies zu Stromschlägen und zu Bränden führen.
- **Die Abdeckung der Elektroanschlüsse der Außenanlage (Abdeckplatte) fest anbringen.**
  - Wenn die Abdeckung der Elektroanschlüsse (Abdeckplatte) nicht sachgemäß angebracht wurde, kann Staub oder Wasser in die Außenanlage eindringen und Brände oder Stromschläge verursachen.
- **Beim Verbringen der Anlage an einen anderen Standort, Anlage nicht mit einem anderen Kältemittel als dem auf der Anlage angegebenen Kältemittel (R407C) füllen.**
  - Wenn das ursprüngliche Kältemittel mit einem anderen Kältemittel oder mit Luft vermischt wird, kann dies zu Fehlfunktionen des Kältemittelkreislaufs führen und die Anlage beschädigt werden.
- **Wenn die Anlage in einem kleinen Raum installiert wird, müssen Maßnahmen ergriffen werden, damit die Kältemittelkonzentration auch bei Kältemittelaustritt den Sicherheitsgrenzwert nicht überschreitet.**
  - Befragen Sie einen Fachhändler bezüglich geeigneter Maßnahmen zur Verhinderung des Überschreitens des Grenzwertes. Sollte durch Austreten von Kältemittel das Überschreiten des Grenzwertes erfolgen, besteht wegen möglichem Sauerstoffmangel im Raum Gesundheitsgefahr.
- **Beim Verbringen der Anlage an einen anderen Ort einen Fachhändler oder einen geprüften Techniker zur Neuaufstellung hinzuziehen.**
  - Bei unsachgemäßer Installation der Anlage kann Wasser austreten, und es können Stromschläge oder Brände verursacht werden.
- **Nach Abschluß der Installationsarbeiten sicherstellen, daß kein Kältemittelgas austritt.**
  - Wenn Kältemittelgas austritt und mit einem Heizgebläse, einem Ofen oder sonstigen Wärmequellen in Berührung kommt, kann giftiges Gas erzeugt werden.
- **Die Einstellungen der Schutzvorrichtungen nicht neu einrichten oder ändern.**
  - Wenn Druckschalter, Thermoschalter oder eine andere Schutzvorrichtung kurzgeschlossen oder mit Gewalt betätigt wird oder wenn andere als die von Mitsubishi Electric angegebenen Teile verwendet werden, besteht Brand- oder Explosionsgefahr.
- **Zum Entsorgen dieses Gerätes wenden Sie sich an Ihren Fachhändler.**
- **Der Installateur und der Systemfachmann müssen für die Sicherung gegen Wasseraustritt gemäß den örtlichen Bestimmungen und Normen sorgen.**
  - Falls keine örtlichen Bestimmungen bestehen, sind die nachstehenden Normen anzuwenden.
- **Besondere Beachtung ist den örtlichen Verhältnissen wie etwa dem Kellergeschoß etc. zu schenken, wo sich Kältemittelgas ansammeln kann, da Kältemittel schwerer als Luft ist.**

## 1.2. Vorsichtsmaßnahmen für Vorrichtungen, die das Kältemittel R407C verwenden

### ⚠ Vorsicht:

- **Kältemittel und Öl**
  - Das alte Kältemittel und das Kältemaschinenöl in der vorhandenen Rohrleitung enthalten große Mengen Chlor, was zur Qualitätsminderung des Kältemaschinenöls der neuen Anlage führen kann.
- **Für die Kältemittelrohrleitung nahtlose Rohre und Röhren aus Phosphor-desoxydiertem Kupfer und entsprechenden Kupferlegierungen verwenden. Außerdem vergewissern, daß die Innen- und Außenflächen der Rohrleitungen sauber und frei von gefährlichem Kupfer, Oxyden, Staub/Schmutz, Metallbearbeitungsrückständen, Ölen, Feuchtigkeit oder anderen Verunreinigungen sind.**
  - Verunreinigungen auf der Innenseite der Kältemittelrohrleitungen können dazu führen, daß das Kältemittelrestöl verdirbt.
- **Die bei der Installation verwendete Rohrleitung in einem geschlossenen Raum aufbewahren und beide Enden bis unmittelbar vor dem Hartlöten geschlossen halten. (Krümmer und andere Rohrverbinder in einem Kunststoffbeutel aufbewahren).**
  - Wenn Staub, Schmutz oder Wasser in den Kältemittelkreislauf gelangt, kann dies zu einer Qualitätsminderung des Öls und zu Kompressorstörungen führen.
- **Zum Beschichten der Konus- und Flanschanschlüsse Esteröl/Ätheröl oder Alkylbenzol (kleine Menge) als Kältemaschinenöl verwenden.**
  - Das Kältemaschinenöl zersetzt sich, wenn es mit größeren Mengen Mineröl vermischt wird.
- **Zur Füllung des Systems flüssiges Kältemittel verwenden.**
  - Wenn Kältemittelgas zur Füllung des Systems verwendet wird, ändert sich die Zusammensetzung des Kältemittels im Zylinder, so daß die Leistung abfallen kann.
- **Kein anderes Kältemittel als R407C verwenden.**
  - Bei Verwendung eines anderen Kältemittels (R22 etc.) kann das Chlor zur Qualitätsminderung des Kältemaschinenöls führen.
- **Eine Vakuumpumpe mit einem Reverse Flow (Gegenstrom)- Rückschlagventil verwenden.**
  - Das Öl der Vakuumpumpe fließt in den Kältemittelkreislauf zurück und führt zur Qualitätsminderung des Kältemaschinenöls.
- **Folgende Vorrichtungen, die bei herkömmlichen Kältemitteln verwendet werden, nicht einsetzen. (Meßrohrleitung, Füllschlauch, Gasaustrittsdetektor, Reverse Flow (Gegenstrom)- Rückschlagventil, Kältemittelfüllstände, Kältemittelaufbereitungseinrichtungen)**
  - Wenn ein herkömmliches Kältemittel und Kältemaschinenöl mit R407C vermischt werden, kann dies zur Qualitätsminderung des Kältemaschinenöls führen.
  - Wenn R407C mit Wasser vermischt wird, kann dies zur Qualitätsminderung des Kältemaschinenöls führen.
  - Da R407C kein Chlor enthält, reagieren Gasaustrittssuchgeräte für herkömmliche Kältemittel nicht darauf.
- **Keinen Füllzylinder verwenden.**
  - Bei Verwendung eines Füllzylinders kann das Kältemittel verderben.
- **Beim Einsatz der Handhabungsvorrichtungen besondere Sorgfalt walten lassen.**
  - Wenn Staub, Schmutz oder Wasser in den Kältemittelkreislauf gelangt, kann dies zur Qualitätsminderung des Kältemittels führen.

## 1.3. Vor der Aufstellung

### ⚠ Vorsicht:

- **Anlage nicht an Orten installieren, wo brennbares Gas austreten kann.**
  - Wenn Gas austritt und sich um die Anlage herum ansammelt, kann dies zu einer Explosion führen.
- **Anlage nicht an Orten verwenden, wo sich Lebensmittel, Tiere, Pflanzen, Präzisionswerkzeuge oder Kunstgegenstände befinden.**
  - Die Qualität der Lebensmittel etc. kann sich verschlechtern.
- **Anlage nicht unter besonderen Umfeldbedingungen einsetzen.**
  - Dichter Öldampf, Dampf oder schwefelhaltiger Rauch können die Leistung der Klimageräte erheblich beeinträchtigen oder Teile der Anlage beschädigen.
- **Bei Installation der Anlage in einem Krankenhaus, einer Rundfunkstation oder an ähnlichen Orten für ausreichend Lärmschutz sorgen.**
  - Der Betrieb der Anlage kann gestört oder unterbrochen werden, wenn sie durch Aufnahmegeräte, private Stromerzeugungseinrichtungen, medizinische Hochfrequenzgeräte oder Rundfunkeinrichtungen beeinflusst wird, und umgekehrt kann der Betrieb der Anlage die Funktion dieser Geräte und Einrichtungen beeinträchtigen und Lärm erzeugen, der ärztliche Behandlungen stört oder Bildübertragungen beeinträchtigt.
- **Die Anlage nicht auf Baueinrichtungen installieren, die Wasseraustritt verursachen können.**
  - Wenn die Luftfeuchtigkeit 80 % übersteigt oder wenn die Abwasserleitung verstopft ist, kann Kondenswasser aus der Innenanlage tropfen. Daher die vorgesehene Sammelabwasserleitung der Außenanlage einrichten.

## 1.4. Vor dem Einbau (der Ortsveränderung) - Elektroarbeiten

### ⚠ Vorsicht:

- **Erdung der Anlage.**
  - Die Erdungsleitung nicht an Gas- oder Wasserrohre, Beleuchtungsstäbe oder an die Erdleitungen von Telefonen anschließen. Unsachgemäße Erdung kann zu Stromschlägen führen.
- **Die Gegenphase von L-Leitungen (L1, L2, L3) kann festgestellt werden (Fehlerkabel: 4103), aber die Gegenphase von L-Leitungen und N-Leitung kann nicht festgestellt werden.**
  - Wenn bei fehlerhafter Verdrahtung Strom zugeführt wird, können einige Elektroteile beschädigt werden.
- **Netzstromleitungen so anbringen, daß keine Zugspannung auf die Kabel ausgeübt wird.**
  - Zugspannung kann Kabelbruch, Wärmebildung und Brände verursachen.
- **Einen Fehlerstromschutzschalter wie vorgesehen anbringen.**
  - Wenn kein Fehlerstromschutzschalter angebracht wird, können Stromschläge verursacht werden.
- **Netzstromkabel mit ausreichender Stromstärke und Nennwertauslegung verwenden.**
  - Zu kleine Kabel können Fehlstrom verursachen, Wärme erzeugen und Brand ausbrechen lassen.
- **Nur Stromunterbrecher und Sicherungen der angegebenen Leistung verwenden.**
  - Eine Sicherung oder ein Stromunterbrecher von größerer Stärke oder Stahl- oder Kupferdraht können zum Ausfall der Anlage oder zum Ausbruch von Bränden führen.
- **Klimageräte nicht waschen.**
  - Waschen der Anlage kann Stromschläge verursachen.
- **Sorgfältig darauf achten, daß die Installationsplatte durch langen Gebrauch nicht beschädigt wird.**
  - Wenn der Schaden nicht behoben wird, kann die Anlage herunterfallen und Personenschäden oder Schäden an der Einrichtung hervorrufen.
- **Zur Gewährleistung eines ordnungsgemäßen Wasserablaufs die Abwasserleitung gemäß Anweisungen in diesem Installationshandbuch installieren. Rohrleitungen mit Wärmeisolierung versehen, um Kondenswasserbildung zu verhindern.**
  - Unsachgemäß angebrachte Abwasserleitungen können Wasseraustritt verursachen und Schäden an Möbeln oder sonstigen Einrichtungsgegenständen nach sich ziehen.
- **Beim Transport der Anlage sehr sorgfältig vorgehen.**
  - Wenn der Gegenstand mehr als 20 kg wiegt, nicht nur eine Person zum Tragen einsetzen.
  - Bei einigen Produkten besteht die Verpackung aus Kunststoffbändern. Zum Transport keine Kunststoffbänder verwenden.
  - Beim Transport der Heizungseinheit etc. an den Aufhängungsschrauben für eine Unterstützung an vier Punkten sorgen. Bei Unterstützung an drei Punkten oder weniger entsteht beim Absetzen eine Instabilität, wodurch das Gerät herunterfallen kann.
- **Verpackungsmaterial sicher entsorgen**
  - Verpackungsmaterial, wie Nägel und andere Metall- oder Holzteile, können Stichwunden oder sonstige Verletzungen verursachen.
  - Kunststoffbeutel zerreißen und entsorgen, damit Kinder nicht mit ihnen spielen. Wenn Kinder mit Kunststoffbeutel spielen, die nicht zerrissen wurden, besteht Erstickengefahr.

## 1.5. Vor Installationsbeginn

### ⚠ Vorsicht:

- **Strom mindestens 12 Stunden vor Betriebsbeginn einschalten.**
  - Betriebsbeginn unmittelbar nach Einschalten des Netzschalters kann zu schwerwiegenden Schäden der Innenteile führen. Während der Saison Netzschalter eingeschaltet lassen.
- **Schalter nicht mit nassen Fingern berühren.**
  - Berühren eines Schalters mit nassen Fingern kann einen Stromschlag verursachen.
- **Kältemittelrohrleitung nicht während oder unmittelbar nach Betrieb berühren.**
  - Während und unmittelbar nach Betrieb sind die Kältemittelrohrleitungen, je nach Durchfluß des Kältemittels durch die Kältemittelrohrleitung, den Kompressor und andere Teile des Kältemittelkreislaufs, manchmal heiß und manchmal kalt. Sie können sich die Hände verbrennen oder Frostverletzungen erleiden, wenn Sie die Kältemittelrohrleitung berühren.
- **Klimageräte nicht bei abgenommenen Verkleidungen und Schutzabdeckungen betreiben.**
  - Drehende, heiße oder unter Hochspannung stehende Teile können Verletzungen verursachen.
- **Netzstrom nicht unmittelbar nach Betriebsbeendigung ausschalten.**
  - Vor Ausschalten des Netzstroms immer mindestens 5 Minuten warten. Anderenfalls kann es zu Wasseraustritt oder sonstigen Störungen kommen.
- **Während der Wartung die Außenseite des Kompressors nicht berühren.**
  - Wenn das Gerät an das Stromnetz angeschlossen ist, aber nicht läuft, arbeitet die Heizung des Kurbelgehäuses im Kompressor.

## 2. Kombination mit Innenaggregaten

Modell	PQRY-P200YEM-A	PQRY-P250YEM-A
Geräuschpegel	51 dB <A>	52 dB <A>
Nettogewicht	270 kg	280 kg
Zulässiger Druck	HP: 2,94 MPa, LP: 1,6 MPa	
Kältemittel	R407C: 7,5 kg	R407C: 8,5 kg
Innenanlagen	Gesamtkapazität	50 ~ 150 %
	Modell / Menge	20 ~ 200 / 1 ~ 15
Betriebstemperatur	Wassertemperatur: 10°C ~ 45°C. Hinweis. 1	

Hinweis 1. Wenn die Gesamtleistung des Innengerätes 130% der Heizleistung der Heizungseinheiten übersteigt, beträgt der Betriebstemperaturbereich des umlaufenden Wassers 15°C ~ 45°C.

## 3. Überprüfung des Lieferumfangs

- ① Aufhängungsschrauben M12, 4 Stck.
- ② Befestigungstafel für die Elektroverdrahtung, 1 Stck.
- ③ Schneidschraube M4 × 2
- ④ Anschlußrohr × 1 (Anschlußrohr ist am Aggregat befestigt.)
- ⑤ Packung (ø23 (innen), ø35 (außen)) × 1
- ⑥ Buchse, 2 Stck.

## 4. Hebemethode

[Fig. 4.0.1] (P.2)

### ⚠ Vorsicht:

Beim Transport dieses Produkts sehr vorsichtig vorgehen.

- Keine Lasten über 20 kg allein tragen.
- Einige Produkte sind eventuell mit PP-Bändern verschnürt. PP-Bänder sind gefährlich und sollten nicht für den Transport eines Produkts verwendet werden.
- Plastikverpackungsbeutel nach Auspacken zerreißen und entsorgen, damit diese nicht in die Hände von Kindern gelangen. Ein Kind kann ersticken, wenn es sich den Plastikbeutel über den Kopf stülpt.
- Beim Transport der Wärmeerzeugungsanlage usw. an den Trageösen diese an vier Punkten unterstützen. Wenn sie nur an drei oder weniger Punkten unterstützt sind, geraten sie beim Absetzen aus dem Gleichgewicht und können herunterfallen.

## 5. Aufstellung der Anlage und Freiraum für Bedienung und Wartung

### 5.1. Einbau

- Unter Verwendung der nachstehend dargestellten Verankerungslöcher die Anlage fest am Boden verschrauben.

[Fig. 5.1.1] (P.2)

- Ⓐ Wärmeerzeugungsanlage
- Ⓑ 4-ø14 (Verankerungsloch)
- Ⓒ (Ansicht von oben)

#### Bodenbeschaffenheit und Schwingungsvermeidung

- Darauf achten, daß die Anlage an einem Ort installiert wird, der genügend Tragkraft aufweist. Wenn der Boden zu geringe Festigkeit besitzt, eine Verstärkung durch ein Betonfundament vorsehen.
- Die Anlage muß auf einer waagerechten Fläche verankert werden. Nach der Aufstellung mit einer Wasserwaage überprüfen.
- Nach Abschluß aller Arbeiten die Wartungsöffnung fest schließen und mit dem Deckel abdecken, um das Austreten von Gas zu vermeiden.
- Wenn die Anlage neben einem Raum aufgestellt wird, in dem das Geräusch störend wirkt, wird die Verwendung eines schwingungsdämpfenden Unterbaus empfohlen.

[Fig. 5.1.2] (P.2)

- Ⓓ Schwingungsdämpfer
- Ⓔ Betonfundament

### ⚠ Warnung:

- Die für den Einbau gewählte Aufstellfläche muß dem Gewicht des Aggregats mühelos standhalten.

## 6. Installation der Wasserrohrleitung

- Rohrleitungen der Serie City Multi WR2 sind ähnlich wie Rohrleitungen für andere Klimaanlage. Beachten Sie jedoch bitte während der Installation die nachfolgenden Vorsichtsmaßnahmen.

### 6.1. Vorsichtsmaßnahmen während der Installation

- Zur Gewährleistung eines ordnungsgemäßen Rohrwiderstandes für jede Anlage das Umkehrrücklaufverfahren (reverse-return method) verwenden.
- Zur Gewährleistung der Einfachheit der Wartung, Inspektion sowie des Auswechselns der Anlage am Wassereinlauf und -auslauf geeignete Rohrverbinder, Armaturen etc. verwenden. Darüber hinaus sicherstellen, daß am Wassereinlauf- und -auslaufrohr ein Siebfilter installiert ist (zur Wartung der Wärmeerzeugungsanlage ist ein Siebfilter am Einlauf des Wasserumlaufs erforderlich).

Eine nicht ausreichend stabile Standfläche kann dazu führen, daß das Aggregat umfällt und Personen verletzt.

- Bei der Aufstellung Vorkehrungen zum Schutz gegen Erdbeben vorsehen.  
Fehler beim Einbau können dazu führen, daß das Aggregat umfällt und Unfälle mit Personenverletzungen verursacht.

### 5.2. Freiraum für Bedienung und Wartung

- Bitte genügend Freiraum für Bedienung und Wartung nach der Installation vorsehen.  
(Alle Wartungsarbeiten können von der Vorderseite der Anlage ausgeführt werden.)

[Fig. 5.2.1] (P.2)

- Ⓐ Freiraum für Rohrleitung (für Rohrleitung links)
- Ⓑ Wärmeerzeugungsanlage
- Ⓒ Freiraum für Bedienung und Wartung (Vorderseite)
- Ⓓ (Ansicht von oben)

[Fig. 5.2.2] (P.2)

- Ⓔ Freiraum für Rohrleitung (für Rohrleitung oben)
- Ⓕ Freiraum für Rohrleitung (für Rohrleitung links)
- Ⓖ Wärmeerzeugungsanlage
- Ⓗ (Vorderansicht)

\* Ein Beispiel für die Installation einer Wärmeerzeugungsanlage ist in der unten stehenden Abbildung dargestellt.

- Am Wasserrohr muß ein geeignetes Entlüftungsaggregat installiert sein. Nach dem Wasserdurchlauf durch das Rohr dafür sorgen, daß die überschüssige Luft entweichen kann.
- In Niedrigtemperaturabschnitten der Wärmeerzeugungsanlage kann sich Druckwasser bilden. Zum Abfluß des Wassers am Boden der Anlage ein Abflußrohr, das an die Abflußarmatur angeschlossen ist, einsetzen.
- In der Mitte des Wassereinlaufkopfes des Wärmetauschers, der sich in der Mitte der Anlage befindet, ist ein Wasserentlüftungsstopfen angebracht. Dieser dient zu Wartungszwecken usw.  
Außerdem dürfen auf keinen Fall Elektroteile der Anlage (wie etwa die Magnetventilspule oder der Netzanschluß des Kompressors) naß werden.
- An der Pumpe eine Armatur zur Rückflußvermeidung und einen flexiblen Rohrverbinder zur Verhinderung übermäßiger Schwingungen installieren.

- Bei einem Wanddurchbruch die Rohrleitung mit einer Manschette schützen.
- Zur Sicherung der Rohre Metallbefestigungen verwenden und diese so installieren, daß sie maximal gegen Bruch und Verkrümmung geschützt sind.
- Die Armaturen für Wassereinlauf und -auslauf nicht vertauschen.
- Diese Anlage besitzt keine Heizung zur Vermeidung von Vereisung innerhalb der Rohre. Wenn der Wasserdurchfluß bei niedriger Umgebungstemperatur unterbrochen ist, das Wasser aus den Rohren entfernen.
- Die nicht verwendeten Löcher zum Ausbrechen sind zu verschließen und die Öffnungen für Kältemittelrohre, Wasserrohre, Netz- und Übertragungsleitungen müssen zum Schutz gegen Regen mit Spachtel o.ä. abgedichtet werden. (bauseitig)

#### Beispiel für die Installation einer Wärmeerzeugungsanlage (mit Rohrleitung nach links)

[Fig. 6.1.1] (P.2)

- |                          |                         |
|--------------------------|-------------------------|
| Ⓐ Wassermuldraufrohr     | Ⓑ Absperrarmatur        |
| Ⓒ Absperrarmatur         | Ⓓ Wasserauslauf         |
| Ⓔ Kältemittelrohrleitung | Ⓕ Siebfilter des Typs Y |
| Ⓖ Wassereinlaß           | Ⓗ Abflußrohr            |

## 6.2. Anbringung der Isolierung

Solange der Temperaturbereich des Wassermuldraufs das ganze Jahr lang in den Jahresdurchschnittstemperaturen (30°C im Sommer, 20°C im Winter) gehalten wird, brauchen die im Gebäudeinneren verlaufenden Rohrleitungen der Serie City Multi-WR2 nicht isoliert oder in sonstiger Weise gegen Temperatureinwirkung geschützt zu werden. Isolierungen sind nur in folgenden Situationen erforderlich:

- Bei allen im Freien verlaufenden Rohrleitungen.
- Innenrohrleitungen in Kaltwetterregionen, wo Probleme durch eingefrorene Rohrleitungen entstehen können.
- Wenn von außen kommende Luft die Bildung von Kondenswasser auf der Rohrleitung verursacht.
- Alle Abflußrohre.

## 6.3. Wasserbehandlung und Kontrolle der Wasserqualität

Zur Einhaltung der Wasserqualität einen luftdichten Wasserturm für den Wassermuldrauf der Anlagen der Serie City Multi-WR2 einsetzen. Wenn die Qualität des Wassermuldraufs niedrig ist, kann sich im Wärmetauscher Kesselstein bilden, was zu einer Verminderung der Leistung des Wärmetauschers und möglicherweise zu dessen Korrosion führt. Daher sorgfältig auf die Wasserbehandlung und die Qualitätskontrolle des Wassers achten, wenn das Wassermuldraufsystem installiert wird.

- Alle Fremdkörper und Verunreinigungen in den Rohren entfernen. Während der Installation sorgfältig darauf achten, daß keine Fremdkörper wie Schweißrückstände, Rückstände von Dichtungsmitteln oder Rost in die Rohre gelangen.

## 7. Installation der Kältemittelleitungen

Die Serie City Multi WR2 ist besteht aus einem Endzweigleitungssystem, bei dem die Kältemittelleitung vom Außenaggregat am BC-Regler abzweigt und an die einzelnen Innenaggregate angeschlossen ist.

Die Tiefdruckleitung ist mit einem Flanschanschluß und die Hochdruckleitung zwischen Außenaggregat und BC-Regler mit Bördelanschlüssen verbunden, während die Leitung vom BC-Regler zum Innenaggregat mit Bördelanschlüssen versehen sind. Anschlußrohrsatz und Zweigleitungssatz sind hartverlötet.

### ⚠ Warnung:

**Stets mit äußerster Sorgfalt darauf bedacht sein zu verhindern, daß bei Arbeiten mit Feuer oder offenen Flammen kein Kältemittelgas (R407C) austreten kann. Wenn das Kältemittelgas mit Flammen gleich welcher Art, wie etwa aus Gasöfen, in Berührung kommt, zersetzt es sich und erzeugt ein Gas, das Vergiftungen hervorrufen kann. Niemals in einem unbelüfteten Raum Schweißarbeiten ausführen. Nach Abschluß der Installationsarbeiten an Kältemittelrohrleitungen stets eine Inspektion vornehmen.**

### 7.1. Vorsicht

- ① Verwenden Sie für die Kältemittelrohre folgende Materialien.
  - Material: Kältemittelrohrleitungen müssen aus Phosphor-desoxidiertem Kupfer bestehen. Darüber hinaus dafür sorgen, daß die Innen- und Außenflächen der Rohre sauber sind und keine gefährlichen Schwefeloxide, keinen Staub/Schmutz, keine Bearbeitungsrückstände, Öle, Feuchtigkeit oder sonstige Verunreinigungen aufweisen. (Für Modelle R407C)
- ② Normal verkäufliche Rohre enthalten oft Staub und anderes Material. Blasen Sie die Rohre immer mit trockener Druckluft sauber.
- ③ Tragen Sie dafür Sorge, daß kein Staub, Wasser oder andere Verunreinigungen

- Behandlung der Wasserqualität
  - ① Je nach Qualität des in der Klimaanlage verwendeten Kaltwassers können die Kupferrohre des Wärmetauschers korrodieren. Wir empfehlen daher regelmäßige Maßnahmen zur Wasserreinigung. Kaltwassermuldraufsysteme mit offenen Wärmespeichertanks unterliegen in besonderem Maße der Korrosion.
  - ② Wasserqualitätsstandard

	Positionen	Standardwerte
Standardpositionen	PH (25°C)	7,0 ~ 8,0
	Elektrische Leitfähigkeit (25°C) (µ s/cm)	300 oder weniger
	Chlor-Ion Cl <sup>-</sup> (mg/l)	50 oder weniger
	Sulfat-Ion SO <sub>4</sub> <sup>2-</sup> (mg/l)	50 oder weniger
	M-Basizität CaCO <sub>3</sub> (mg/l)	50 oder weniger
	Gesamthärte CaCO <sub>3</sub> (mg/l)	70 oder weniger
Bezugspositionen	Schwefel-Ion S <sup>2-</sup> (mg/l)	Nicht festgestellt
	Ammonium-Ion NH <sub>4</sub> <sup>+</sup> (mg/l)	Nicht festgestellt
	Siliziumdioxid SiO <sub>2</sub> (mg/l)	30 oder weniger
Hinweis. 2		

Hinweis. 2 Es wurde einwandfrei festgestellt, daß der Bestandteil der Bezugspositionen gefährlich ist. Allerdings ist das quantitative Verhältnis zwischen annehmbar und gefährlich bisher nicht eindeutig geklärt. Daher sind sie als Bezugspositionen aufgelistet.

- ③ Vor Verwendung von Anti-Korrosionslösungen zur Wasserreinigung empfehlen wir einen Fachmann für die Kontrolle der Wasserqualität über Verfahren zur Kontrolle und Berechnung der Wasserqualität zu Rate zu ziehen.
- ④ Wird eine vorher installierte Klimaanlage ausgewechselt (auch wenn nur der Wärmetauscher ersetzt wird) ist es notwendig, zunächst eine Analyse der Wasserqualität und eine Überprüfung möglicher Korrosion vorzunehmen. In Kaltwassersystemen kann Korrosion auch dann vorhanden sein, wenn es zunächst keine Anzeichen auf Korrosion gibt. Wenn sich das Niveau der Wasserqualität absenkt, die Wasserqualität vor dem Austausch der Anlage bitte in ausreichender Weise anpassen.

## 6.4. Pumpenverriegelung

Die Wärmeerzeugungsanlage kann beschädigt werden, wenn sie ohne Wassermuldrauf durch die Rohrleitungen betrieben wird.

Dafür sorgen, daß für den Betrieb der Anlage und der Wassermuldraufpumpe eine Verriegelung vorgesehen ist. Dazu die Klemmleisten zur Verriegelung (TB8-3, 4), die sich an der Anlage befinden, verwenden. Im Falle eines Signalanschlusses für einen Pumpenverriegelungskreis an den TB8- 3, 4 die Kurzschlußleiterplatte abnehmen. Auch sollte zur Vermeidung irrtümlicher Fehlermeldung aufgrund eines schlechten Anschlusses im Drosselventil 63PW ein Niedrigstrom von 5mA oder weniger eingesetzt werden.

[Fig. 6.4.1] (P.2)

- Ⓐ Kurzschlußleiterplatte (Anschluß erfolgt vor Lieferung durch den Hersteller)
- Ⓑ Anschluß für Pumpenverriegelungsstromkreis

gen während der Installation in die Rohrleitungen gelangen können.

- ④ Biegungen in der Leitung sind so weit wie möglich zu vermeiden. Bei notwendige Biegungen sollte der Biegeradius so groß wie möglich sein.
- ⑤ Beachten Sie immer die Einschränkungen der Kältemittelrohre (wie z.B. der vorgegebenen Länge, den Unterschied zwischen hohem / niedrigem Druck und dem Durchmesser des Rohres). Werden diese Vorgaben nicht beachtet, ist ein Fehler beim Betrieb der Geräte oder ein Abfall der Heiz- / Kühlleistung möglich.
- ⑥ Das Aggregat der City Multi WR2 Serie stoppt, wenn unnormale Zustände, wie zu hohe oder nicht genügende Kühlung, vorliegen. Füllen Sie bei einem solchen Zustand das Gerät entsprechend der Vorschriften. Lassen Sie eine Wartung durchführen, prüfen Sie immer die Hinweise, die sich auf die Länge der Rohre und die Gesamtzahl der Kühlgeräte an beiden Orten, beziehen. Beachten Sie dabei die Tabelle der Kalkulation der Kühlfüssigkeit auf der Rückseite des Servicefeldes und die zusätzlichen Kühleinheiten auf den Aufklebern für die kombinierte Anzahl der Innenaggregate.
- ⑦ **Zur Füllung des Systems flüssiges Kältemittel verwenden.**
- ⑧ Benutzen Sie niemals ein Kältemittel, um eine Reinigung der Luft durchzuführen. Benutzen Sie zum Absaugen immer eine Absaugpumpe.
- ⑨ Isolieren Sie die Rohrleitung immer einwandfrei. Nicht ausreichende Isolation kann als Folge ein Nachlassen der Heiz- / Kühlleistung, Kondensieren von Wassertropfen oder ähnliche Probleme bewirken.
- ⑩ Beim Anschluß der Kältemittelrohrleitung darauf achten, daß der Kugelhahn der Heizungseinheit vollständig geschlossen ist (die werksseitige Einstellung) und nicht arbeitet, bis die Kältemittelrohrleitung für die Heizungseinheit und die Innengeräte angeschlossen, ein Kältemitteldichtigkeitsstest durchgeführt und das Evakuierungsverfahren zum Abschluß gebracht wurde.



- ⑩ Benutzen Sie zum Hartlöten der Rohre immer nicht oxydierendes Material. Verwenden Sie oxydierendes Material, können Verstopfungen die Folge sein oder die Kompressorreinheit beschädigt werden.
- ⑪ **Niemals bei Regen Rohrleitungsanschlußarbeiten an der Außenanlage durchführen.**

**⚠️ Warnung:**

**Beim Installieren und Verlegen der Anlage kein anderes Kältemittel als das auf der Anlage angegebene Kältemittel (R407C) einfüllen.**

- Vermischung mit einem anderen Kältemittel, mit Luft etc. kann zu Fehlfunktionen des Kältemittelkreislaufs und zu schweren Schäden an der Anlage führen.

**⚠️ Vorsicht:**

- **Eine Vakuumpumpe mit einem Reverse Flow (Gegenstrom) - Rückschlagventil verwenden. (Für Modelle R407C)**
  - Wenn die Vakuumpumpe kein Gegenstromrückschlagventil hat, kann das Öl der Vakuumpumpe in den Kältemittelkreislauf zurückfließen und eine Qualitätsminderung des Kältemaschinenöls und andere Störungen verursachen.
- **Die bei herkömmlichen Kältemitteln eingesetzten, nachstehend dargestellten, Hilfsvorrichtungen nicht verwenden. (Für Modelle R407C) (Meßrohrleitung, Füllschlauch, Gasaustrittsfühler, Rückschlagventil, Kältemittel-Base, Vakuummeter, Kältemittelauffangvorrichtung)**
  - Vermischen von herkömmlichem Kältemittel und Kältemaschinenöl kann zur Qualitätsminderung des Kältemaschinenöls führen.
  - Vermischen mit Wasser führt zur Qualitätsminderung des Kältemaschinenöls.
  - Kältemittel R407C enthält kein Chlor. Daher reagieren Gasaustrittsfühler für herkömmliche Kältemittel nicht darauf.

- **Hilfsvorrichtungen sorgfältiger handhaben als üblich. (Für Modelle R407C)**
  - Wenn Staub, Schmutz oder Wasser in den Kältemittelkreislauf gelangt, wird die Qualität des Kältemaschinenöls gemindert.
- **Niemals vorhandene Kältemittelrohrleitungen einsetzen. (Für Modelle R407C)**
  - Die große Menge Chlor in herkömmlichen Kältemitteln und Kältemaschinenöl in der vorhandenen Rohrleitung führt zu einer Qualitätsminderung des neuen Kältemittels.
- **Die zu verwendende Rohrleitung während der Installation in einem geschlossenen Raum aufbewahren und beide Enden der Rohrleitung bis unmittelbar vor dem Hartlöten abgedichtet lassen.**
  - Wenn Staub, Schmutz oder Wasser in den Kältemittelkreislauf gelangen, wird die Qualität des Öls gemindert, was zum Ausfall des Kompressors führen kann.
- **Keinen Füllzylinder verwenden. (Für Modelle R407C)**
  - Bei Verwendung eines Füllzylinders kann das Kältemittel verderben.
- **Zum Auswaschen der Rohrleitung keine Spezialwaschmittel verwenden.**

## 7.2. Das Kältemittel Rohrsystem

Anschlußbeispiele

[Fig. 7.2.1] (P.3)

- A Hochdruckrohr
- B Tiefdruckrohr
- C Anschluß der Heizungseinheit/BC-Steuerung
- D Gesamtkapazität der Innenaggregate
- E Kältemittelleitung
- F Gasleitung
- G Modellnummer
- A BC-Steuerung
- B Innenaggregat (20-140)
- C Innenaggregat (200, 250)

## 8. Zusätzliches Kühlmittel einfüllen

Bei Versand ab Werk ist die Heizungseinheit mit Kältemittel gefüllt. In dieser Menge des Kühlmittels sind die weiteren Mengen nicht enthalten, die je nach Länge der Rohrleitungen notwendig sind. Es muß daher eine weitere Menge Kühlmittel für jede weitere Kühlmittellinie in die Anlage eingefüllt werden. Im Hinblick auf die Durchführung weiterer Wartungsarbeiten zu einem späteren Zeitpunkt, stellen Sie sich eine Liste der Größe und Länge jeder Kühlmittelleitung und der Menge des zusätzlichen eingefüllten Kühlmittels zusammen. Einen Entwurf der Liste und die entsprechenden Spalten zum Ausfüllen finden Sie im Außenaggregat.

### 8.1. Kalkulation des zusätzlichen Kühlmittels

- Kalkulieren Sie die Menge des zusätzlich einzufüllenden Kühlmittels auf der Basis der Länge des Rohrnetzes für das Kühlmittel und dessen Durchmesser.
- Benutzen Sie die rechts stehende Tabelle dafür, um die Menge des zusätzlich einzufüllenden Kühlmittels zu errechnen, und füllen Sie diese errechnete Menge in die Anlage.
- Wenn das Ergebnis der Berechnung einen Bruch von weniger als 0,1 kg ausmacht. Ergab z.B. das Ergebnis Ihrer Berechnung einen Wert von 10,62 kg, sollte die Menge auf 10,7 kg aufgerundet werden.

<Zusätzliche Kältemittelmenge>

Kältemittel-Nachfüllmenge (kg)	=	Hochdruckrohrgröße Gesamtlänge von $\varnothing 19,05 \times 0,16$ (m) $\times 0,16$ (kg/m)	+	Kältemittelrohrgröße Gesamtlänge von $\varnothing 9,52 \times 0,06$ (m) $\times 0,06$ (kg/m)	+	Kältemittelrohrgröße Gesamtlänge von $\varnothing 6,35 \times 0,024$ (m) $\times 0,024$ (kg/m)	+ $\alpha$
--------------------------------	---	---	---	--	---	--	------------

<Beispiel>

Innenaggregat 1: 40	A: $\varnothing 19,05$	40 m	a: $\varnothing 6,35$	10 m	} Gemäß den untenstehenden Bedingungen:
2: 100	B: $\varnothing 9,52$	10 m	b: $\varnothing 9,52$	5 m	
3: 40	C: $\varnothing 9,52$	15 m	c: $\varnothing 6,35$	10 m	
4: 32			d: $\varnothing 6,35$	10 m	
5: 63			e: $\varnothing 9,52$	10 m	

Gesamtlänge der einzelnen Kältemittelleitungen:

$\varnothing 19,05$ : A = 40 m  
 $\varnothing 9,52$ : B + b + e = 10 + 5 + 10 = 25 m  
 $\varnothing 6,35$ : a + c + d = 10 + 10 + 10 = 30 m

Deshalb,

<Rechenbeispiel>

Kältemittel Nachfüllmenge  
 =  $40 \times 0,16 + 25 \times 0,06 + 30 \times 0,024 + 2 = 10,7$  kg

Wert von  $\alpha$

Gesamtkapazität angeschlossener Innenaggregate	$\alpha$
Modell 80	1,0 kg
Modelle 81 bis 160	1,5 kg
Modelle 161 bis 330	2,0 kg
Modelle 331 bis 375	2,5 kg

### 8.2. Vorsichtsmaßregeln für Rohranschluß/Ventilbetrieb

- Rohrleitungsanschluß und Armaturbetrieb genauestens ausführen.
- Das Anschlußrohr auf der Gasseite ist werksseitig für den Transport zusammengebaut.
  - ① Zum Hartlöten des Anschlußrohrs mit Flansch das Rohr vom Schwimmerventil trennen und außerhalb des Aggregats verlöten.
  - ② Beim Trennen des Flanschanschlußrohrs die an der Rückseite dieses Blattes befestigte Dichtung entfernen und auf die Flanschoberfläche des Schwimmerventils kleben, um zu vermeiden, daß Staub in das Ventil gelangt.
  - ③ Der Kältemittelumlauf ist werksseitig mit einer runden, dichtgepackten Packung abgedichtet, um das Austreten von Gas zwischen den Flanschen zu verhindern. Da ein Betrieb in diesem Stadium nicht möglich ist, muß die Packung gegen die hohlen Packung am Rohranschluß ausgetauscht werden.
  - ④ Vor dem Anbringen der Hohlpackung jeglichen Staub auf der Flanschoberfläche und der Packung abwischen und beide Seiten der Packung mit Kühlaggregatöl (Esteröl, Ätheröl oder Alkylbenzole [kleine Menge]) bestreichen.

[Fig. 8.2.1] (P.3)

- Nach dem Entleeren und Einfüllen des Kältemittels stellen Sie sicher, daß der Hebel des Ventils voll geöffnet ist. Sollten Sie die Anlage mit geschlossenem Ventil betrieben, kann das zu übermäßig hohem Druck auf der Hochdruckseite oder der Niederdruckseite des Kältemittelkreislaufes führen, wodurch der Kompressor oder das 4 - Wege Ventil usw. beschädigt werden können.
- Die zusätzliche Kältemittelleinfüllmenge mit Hilfe der erwähnten Rechenformel bestimmen und das Kältemittel nach Anschluß aller Rohrleitungen durch die Wartungsöffnung einfüllen.
- Nach Abschluß aller Arbeiten die Wartungsöffnung fest schließen und mit dem Deckel abdecken, um das Austreten von Gas zu vermeiden.

[Fig. 8.2.2] (P.3)

<A> [Kugelarmlatur (Niederdruckseite)]

<B> [Kugelarmlatur (Hochdruckseite)]

(Diese Abbildung zeigt die Armlatur in vollständig geöffnetem Zustand.)

- A Armaturspindel  
[Ab Werk vollständig geschlossen, beim Anschluß der Rohrleitung, beim Auspumpen und beim Einfüllen von zusätzlichem Kältemittel vollständig schließen. Nach Abschluß obengenannter Vorgänge vollständig öffnen.]
- B Arretierstift [Verhindert, daß sich die Armaturspindel um 90° oder mehr dreht.]
- C Packung (sonderzubehör)
- D Anschlußrohr (sonderzubehör)  
[Mit der Packung dieses Rohr fest am Armaturlansch anbringen, damit kein Gasaustritt erfolgt. (Anzugsdrehmoment: 25 N·m (250 kg·cm) Beide Flächen der Packung mit Kältemaschinenöl (Esteröl, Ätheröl oder Alkylbenzole [kleine Menge]) bestreichen.]
- E Öffnen (Langsam laufen lassen)

- Ⓔ Deckel, Kupferpackung  
[Den Deckel abnehmen und die Armaturspindel betätigen. Den Deckel nach Abschluß des Vorgangs stets wieder anbringen. (Anzugsdrehmoment für Armaturspindeldeckel: 25 N-m (250 kg-cm) oder mehr)]
- Ⓒ Wartungseinheit  
[Mit dieser Wartungseinheit die Kältemittelrohrleitung auspumpen und für eine zusätzliche Füllung vor Ort verwenden.  
Wartungseinheit mit einem doppelseitigen Schraubenschlüssel öffnen und schließen.  
Nach Abschluß des Vorgangs Deckel stets wieder anbringen. (Anzugsdrehmoment für den Deckel der Wartungseinheit: 14 N-m (140 kg-cm) oder mehr)]
- Ⓗ Konusmutter  
[Anzugsdrehmoment: 120 N-m (1200 kg-cm).  
Diese Mutter mit einem doppelseitigen Schraubenschlüssel lockern.  
Die Oberfläche der Aufweitung mit Kältemaschinenöl (Esteröl, Ätheröl oder Alkylbenzole [kleine Menge]) bestreichen.]
- ⓪ ⌀19,05
- ⓫ ⌀25,4 (PQRY-P200)  
⌀28,58 (PQRY-P250)
- Ⓚ Hausrohrleitung  
[An das Anschlußrohr mittels Hartlöten anschließen. (Mit sauerstofflosem Hartlötverfahren löten.)]
- Ⓛ Straff anliegende Verpackung
- Ⓜ Hohlpackung

**Hinweis:**

**Wenn kein Drehmomentschlüssel vorhanden ist, folgendes Standardverfahren verwenden:**

**Wenn Sie die Konusmutter mit einem Schraubenschlüssel anziehen, kommen Sie an einen Punkt, an dem sich das Anzugsdrehmoment abrupt erhöht. Die Konusmutter in dem in der Tabelle oben dargestellten Winkel über diesen Punkt hinaus anziehen.**

**⚠ Vorsicht:**

- **Das Anschlußrohr stets von der Kugelarmatur abnehmen und es außerhalb der Anlage hartlöten.**  
- Hartlöten des Anschlußrohrs im installierten Zustand führt zum Erhitzen der Kugelarmatur und zieht Störungen oder Gasaustritt nach sich. Auch kann die Rohrleitung etc. innerhalb der Anlage Brandschäden erleiden.
- **Zum Beschichten der Konus- und Flanschanschlüsse Esteröl/Ätheröl oder Alkylbenzol (kleine Menge) als Kältemaschinenöl verwenden.**  
- Das Kältemaschinenöl zersetzt sich, wenn es mit größeren Mengen Mineralöl vermischt wird.
- **Keine Additive zur Erkennung von undichten Stellen verwenden.**

### 8.3. Überprüfung der Dichtheit, Evakuieren und Einfüllen von Kältemitteln

① **Luftdichtetest**

Bei geschlossener Absperrarmatur der Außenanlage durchführen und die Anschlußrohrleitung sowie die Innenanlage von der Wartungseinheit an der Absperrarmatur der Außenanlage aus unter Druck setzen. (Stets von den Wartungseinheiten des Hochdruckrohres und des Niederdruckrohres aus unter Druck setzen.)

[Fig. 8.3.1] (P.3)

- Ⓐ Stickstoffgas
- Ⓑ Zum Innenaggregat
- Ⓒ Systemanalysegerät
- Ⓓ Lo-Knopf
- Ⓔ Hi-Knopf
- Ⓕ Kugelarmatur
- Ⓖ Niederdruckrohrleitung
- Ⓖ Hochdruckrohrleitung
- Ⓛ Heizungseinheit
- ⓫ Wartungsöffnung

<Für Modelle R407C>

Das Verfahren bei der Durchführung des Luftdichtigkeitstests ist grundsätzlich das gleiche wie bei R22 Modellen. Da jedoch die Beschränkungen großen Einfluß auf die Qualitätsminderung des Kältemaschinenöls haben, diese stets im Auge behalten. Auch führt bei einem nicht-azeotropen Kältemittel (R407C etc.) Gasaustritt dazu, daß sich die Zusammensetzung ändert und die Leistung beeinträchtigt wird. Daher den Test auf Luftdichtigkeit mit größter Sorgfalt und Vorsicht durchführen.

Korrektes Anzugsdrehmoment für Drehmomentschlüssel:

Außendurchmesser des Kupferrohrs (mm)	Anzugsdrehmoment (N-m) / (kg-cm)
⌀6,35	14 bis 18 / 140 bis 180
⌀9,52	35 bis 42 / 350 bis 420
⌀12,7	50 bis 57,5 / 500 bis 575
⌀15,88	75 bis 80 / 750 bis 800
⌀19,05	100 bis 140 / 1000 bis 1400

Standard-Befestigungswinkel:

Rohrdurchmesser (mm)	Anzugswinkel (°)
⌀6,35, ⌀9,52	60 bis 90
⌀12,7, ⌀15,88	30 bis 60
⌀19,05	20 bis 35

[Fig. 8.2.3] (P.3)

Verfahren des Dichtheitstests	Beschränkung
<p>1. Druckaufbau mit Stickstoffgas</p> <p>(1) Nach Aufbau des Drucks auf die vorgegebene Druckstärke (2,94 MPa) mit Stickstoffgas, diesen Zustand etwa einen Tag lang beibehalten. Wenn der Druck nicht abfällt, ist die Luftdichtigkeit einwandfrei. Wenn der Druck jedoch abfällt und die Gasaustrittsstelle unbekannt ist, kann auch ein Blasentest durchgeführt werden.</p> <p>(2) Nach Durchführung des oben beschriebenen Druckaufbaus die aufgeweiteten Anschlußstellen, die hartgelöteten Teile, Flansche und andere Teile, an denen Gasaustritt erfolgen kann, mit einem blasenbildenden Mittel (Kyuboffex etc.) besprühen und nachsehen, ob sich Blasen bilden.</p> <p>(3) Nach Beendigung des Luftdichtigkeitstest das blasenbildende Mittel abwischen.</p>	<ul style="list-style-type: none"> <li>• Wenn ein brennbares Gas oder Luft (Sauerstoff) zum Druckaufbau verwendet wird, kann es Feuer fangen oder explodieren.</li> </ul>
<p>2. Druckaufbau mit Kältemittelgas und Stickstoffgas</p> <p>(1) Bei der Druckerzeugung auf einen Gasdruck von etwa 0,2 MPa den Druck mit Stickstoffgas auf den vorgesehenen Druck (2,94 MPa) bringen. Druckaufbau aber nicht auf einmal vornehmen. Während des Druckaufbaus anhalten und vergewissern, daß der Druck nicht abfällt.</p> <p>(2) Die aufgeweiteten Anschlußstellen, die hartgelöteten Teile, Flansche und andere Teile, an denen Gas austreten kann, mit einem R407C-kompatiblen, elektrischen Gasaustrittsprüfgerät überprüfen.</p> <p>(3) Dieser Test kann in Verbindung mit einem blasenbildenden Test vorgenommen werden.</p>	<ul style="list-style-type: none"> <li>• Kein anderes Kältemittel als das auf der Anlage angegebene verwenden.</li> <li>• Durch Abdichten mit Gas aus einer Gasflasche erfolgt eine Veränderung der Zusammensetzung des Kältemittels in der Gasflasche. (Für Modelle R407C)</li> <li>• Ein Manometer, einen Nachfüllbehälter und andere ausschließlich für R407C bestimmte Teile verwenden. (Für Modelle R407C)</li> <li>• Ein elektrischer Leckdetektor für R22 kann den Austritt von R407C nicht feststellen.</li> <li>• Keinen Halogen-Wasserstoffsäure-Brenner verwenden. (Damit kann kein Gasaustritt festgestellt werden.)</li> </ul>

② **Entleerung Evakuieren**

Evakuierung bei geschlossenem Kugelhahn auf der Heizungseinheitsseite vornehmen. Dann die Evakuierung sowohl der Anschlußrohrleitung als auch des Innengerätes von der Wartungseinheit am Kugelhahn der Heizungseinheit mittels einer Vakuumpumpe vornehmen. (Stets von den Wartungseinheiten des Hochdruckrohres und des Niederdruckrohres aus entleeren.) Wenn das Vakuum 650 Pa [abs] erreicht, das Auspumpen mindestens noch eine Stunde lang oder mehr fortsetzen.

\* Niemals Luftreinigung mit Kältemittel durchführen.

[Fig. 8.3.2] (P.3)

- Ⓐ Systemanalysegerät
- Ⓑ Lo-Knopf
- Ⓒ Hi-Knopf
- Ⓓ Kugelhahn
- Ⓔ Niederdruckrohrleitung
- Ⓕ Hochdruckrohrleitung
- Ⓖ Wartungsöffnung
- Ⓖ Dreizeige-Anschluß
- Ⓛ Ventil
- ⓫ Ventil
- Ⓚ Behälter
- Ⓛ Waage
- Ⓜ Unterdruckpumpe

**Hinweis:**

- **Immer eine angemessene Menge Kältemittel nachfüllen. Auch das System stets mit Flüssigkältemittel nachfüllen. Zuviel oder zu wenig Kältemittel verursacht Störungen.**
- **Eine Meßrohrleitung, einen Füllschlauch oder andere Teile, wie auf der Anlage angegeben, für das Kältemittel verwenden.**
- **Mit einem Gravimeter (Das nach unten bis 0,1 kg messen kann.)**
- **Eine Vakuumpumpe mit einem Reverse Flow (Gegenstrom) - Rückschlagventil verwenden. (Für Modelle R407C)**  
**(Empfohlenes Vakuummeter: ROBINAIR 14830A Thermistor Vakuummeter)**  
**Nach Ablauf von 5 Minuten Betriebszeit, ein Vakuummeter, das 0,5 Torr oder höhere Werte erreicht, verwenden.**

③ **Einfüllen von Kältemittel (Für Modelle R407C)**

Da das auf der Anlage verwendete Kältemittel nicht-azeotropisch ist, muß es in flüssigem Zustand eingefüllt werden. Infolgedessen beim Befüllen der An-

ge mit einem Kältemittel aus einem Behälter, der Behälter, wie unten dargestellt, beim Einfüllen von Kältemittel auf den Kopf stellen, wenn der Behälter kein Siphonrohr hat. Wenn der Behälter eine Siphonrohr, wie in der Abbildung rechts dargestellt, hat, kann das Kältemittel beim aufrecht stehenden Behälter eingefüllt werden. Daher sorgfältig auf die technische Auslegung des Behälters achten. Wenn die Anlage mit Kältemittelgas gefüllt werden muß, das gesamte Kältemittel durch das neue Kältemittel ersetzen. Das in dem Behälter verbleibende Kältemittel nicht verwenden.

[Fig. 8.3.3] (P.3)

## 8.4. Kälte­dämmung und Kältemittelleitung

Dafür sorgen, daß die Kältemittelrohrleitung ausreichend isoliert ist. Dazu Flüssigkeitsrohrleitung und Gasrohrleitung getrennt mit hitzebeständigem Polyäthylen von ausreichender Dicke abdecken, so daß an den Anschlußstellen zwischen Innenanlage und Isoliermaterial und den Isoliermaterialien selbst keine Lücke vorhanden ist. Eine unzureichende Isolierung führt zu Heraustropfen von Kondensat usw. Hierbei sollte ganz besonders auf die sorgfältige Isolierung am Deckenraum geachtet werden.

[Fig. 8.4.1] (P.4)

- Ⓐ Stahldraht
- Ⓑ Rohr
- Ⓒ Asphaltmastix oder Asphalt
- Ⓓ Wärmeisoliermaterial A
- Ⓔ Äußere Abdeckung B

Wärmeisoliermaterial A	Glasfaser + Stahldraht	
	Klebstoff + Wärmestabiler Polyäthylenschaum + Klebeband	
Äußere Abdeckung B	Innenaggregat	Vinylklebeband
	Freiliegender Boden	Wasserabweisendes Hanftuch + Bronzeasphalt
	Außenaggregat	Wasserabweisendes Hanftuch + Zinkblech + Öli­ger Lack

## 9. Verdrahtung

### 9.1. Vorsicht

- ① Elektrische Arbeiten sind in Übereinstimmung mit den für elektrische Ausrüstung, Verkabelung usw. geltenden gesetzlichen Normen und Vorschriften sowie den Richtlinien der Elektrizitätswerke auszuführen.
- ② Die Reglerverdrahtung (im nachfolgenden Text Übertragungsleitung genannt) sollte (5 cm oder mehr) von den Stromquellenkabeln entfernt verlegt werden, um elektrische Störgeräusche durch die Stromquellenkabel zu vermeiden. (Übertragungsleitung und Stromquellenkabel nicht im gleichen Leitungsrohr verlegen.)
- ③ Darauf achten, daß die Heizungseinheit mit der dafür vorgesehenen Erdung versehen wird.
- ④ Ausreichend Platz für die Verkabelung des Schaltkastens der Innen- und Außenaggregate frei lassen, da der Kasten bei der Wartung mitunter ausgebaut wird.
- ⑤ Die Hauptstromquelle niemals an die Klemmleiste der Übertragungsleitung anschließen; andernfalls verschmoren elektrische Teile.
- ⑥ Für die Übertragungsleitung zweiadrige Abschirmkabel verwenden. Die Verdrahtung von Übertragungsleitungen verschiedene Systeme mit dem gleichen mehradrigen Kabel vermindert die Übertragungs- und Empfangsqualität und führt zu Fehlfunktionen.
- ⑦ Es darf nur die angegebene Übertragungsleitung an die Klemmleiste für die Heizungseinheitsübertragung angeschlossen werden. (Mit Außenaggregat anzuschließende Übertragungsleitung: Klemmleiste TB3 für Übertragungsleitung. Sonstige: Klemmleiste TB7 für Zentralregelung) Bei fehlerhaft ausgeführten Anschlüssen funktioniert das System nicht.
- ⑧ Bei Anschluß an eine höherklassige Steuerung oder bei Vornahme des Gruppenbetriebs in unterschiedlichen Kältemittelsystemen ist eine Steuerleitung für die Übertragung zwischen den Heizungseinheiten untereinander erforderlich. Diese Reglerleitung ist zwischen den Klemmleisten für die Zentralregelung anzuschließen. (Zweiadriges Kabel ohne Polarität) Für Gruppenbetrieb mit verschiedenen Kältemittelsystemen ohne Anschluß an den Regler der oberen Klasse ist der an CN41 angeschlossene Kurzschlußstecker zu trennen und an CN40 für eines der Außenaggregate anzuschließen.
- ⑨ Die Gruppe wird über die Fernbedienung eingestellt.
- ⑩ Die nicht verwendeten Löcher zum Ausbrechen sind zu verschließen und die Öffnungen für Kältemittelrohre, Wasserrohre, Netz- und Übertragungsleitungen müssen zum Schutz gegen Regen mit Spachtel o.ä. abgedichtet werden. (bauseitig)

### 9.2. Reglerkasten und Kabelanschlußpunkte

1. Die Übertragungsleitung des Innengerätes an die Übertragungsklemmleiste (TB3) anschließen. Alternativ den Anschluß der Elektroleitung zwischen Heizungseinheiten oder der Elektroleitung mit dem zentralen Steuersystem

#### Hinweis:

- Bei einer Isolierung mit Polyäthylen als Abdeckmaterial ist ein mit Asphalt abgedecktes Dach nicht notwendig.
- Die Elektroleitungen dürfen keine Wärmeisolierung haben.

[Fig. 8.4.2] (P.4)

- Ⓐ Hochdruckrohrleitung
- Ⓑ Niederdruckrohrleitung
- Ⓒ Elektrische Drähte
- Ⓓ Deckband
- Ⓔ Isolator

[Fig. 8.4.3] (P.4)

### Eindringender Abschnitt

[Fig. 8.4.4] (P.4)

- <A> Innere Wandung (nicht sichtbar)
- <B> Äußere Wandung
- <C> Äußere Wandung (freiliegend)
- <D> Boden (feuerfeste Auskleidung)
- <E> Dachrohrschaft
- <F> Eindringender Abschnitt in Feuerabgrenzung und Grenz­wand
- Ⓐ Manschette
- Ⓑ Niederdruckrohrleitung
- Ⓒ Dämmungsmaterial
- Ⓓ Wärmeschutzisolierung
- Ⓔ Klebeband
- Ⓕ Wasserfeste Schicht
- Ⓖ Manschette mit Kante
- Ⓖ Wärmeschutzisolierung
- Ⓗ Mörtel oder sonstiges, nichtbrennbares Nahtdichtungsmaterial
- Ⓙ Nichtbrennbares Wärmeisoliermaterial

Beim Ausfüllen eines Spalts mit Mörtel muß der eindringende Abschnitt mit Stahlblech abgedeckt werden, damit das Isoliermaterial nicht eingedrückt wird. Im obigen Fall sowohl zum Isolieren als auch zum Abdecken feuerfestes Material verwenden. (Zur Abdeckung kein Vinyl verwenden.)

an die Klemmleiste des zentralen Steuersystems (TB7) vornehmen.

Bei Verwendung einer abgeschirmten Elektroleitung, die abgeschirmte Erdung der Übertragungsleitung des Innengerätes an die Erdungsschraube (⊕) anschließen und die abgeschirmte Erdung der Leitung zwischen Heizungseinheiten und der Übertragungsleitung des zentralen Steuersystems an die abgeschirmte Klemme (S) der Klemmleiste des zentralen Steuersystems (TB7) anschließen. Außerdem muß bei Heizungseinheiten, deren Netzanschluß CN41 durch CN40 ersetzt wurde, die abgeschirmte Klemme (S) der Klemmleiste (TB7) des zentralen Steuersystems auch an die Erdung (⊕) angeschlossen werden.

[Fig. 9.2.1] (P.4)

- Ⓐ Stromquelle
- Ⓑ Übertragungsleitung

2. Rohrleitungsbefestigungsplatten (ø27) werden mitgeliefert. Die Netz- und Übertragungsleitungen durch die zugehörigen Ausbrechöffnungen führen, dann das Ausbrechteil von der Unterseite des Klemmkastens abnehmen und die Leitungen anschließen.
3. Netzleitung mit Pufferbuchse zum Schutz gegen Zugspannung (PG-Anschluß o.ä.) am Klemmkasten befestigen.

### 9.3. Übertragungskabelanschluß

#### ① Steuerkabelarten

1. Übertragungskabel für die Verdrahtung
  - Übertragungskabelarten: Abgeschirmte Kable CVVS, CPEVS
  - Kabeldurchmesser: Mehr als 1,25 mm<sup>2</sup>
  - Maximale Elektroleitungslänge: Bis 200 m

#### 2. Fernbedienungskabel

Art des Fernbedienungskabels	Doppelt isoliert (VCF, VCTFK, CVV, CVS, VVR, VVF, VCT)
Kabeldurchmesser	0,3 bis 1,25 m <sup>2</sup>
Bemerkungen	Bei Überschreitung von 10 m Kabel, mit den gleichen technischen Daten wie (1) Übertragungsleitungen verwenden.

#### ② Verdrahtungsbeispiele

- Name der Steuereinheit, Symbol und zulässige Anzahl der Steuereinheiten.

Bezeichnung	Symbol	Zulässige Regleranzahl
Steuerung der Heizungseinheit	OC	
BC-Steuereinheit	BC	Ein Regler für OC
Innenaggregat Steuereinheit	IC	Zwei bis zehn Regler für ein OC
Fernbedienung	RC	Maximal 2 pro Gruppe

## Beispiel eines Gruppenbetriebssystems mit mehreren Außenaggregaten (Abschirmkabel und Adressenangaben sind notwendig.)

<Beispiel der Übertragungskabelverlegung>

[Fig. 9.3.1] M-NET-Fernbedienung (P.4)

[Fig. 9.3.2] MA-Fernbedienung (P.4)

- Ⓐ Gruppe 1      Ⓑ Gruppe 3      Ⓒ Gruppe 5      Ⓓ Abgeschirmte Kabel      Ⓔ Unter Fernbedienung  
( ) Adresse

<Kabelverlegung und Adresseneinstellung>

- Bei der Vornahme von Anschlüssen zwischen der Heizungseinheit (OC) und dem Innengerät (IC) als auch für alle Leitungsteile zwischen OC und OC sowie zwischen IC und IC stets abgeschirmte Leitungen verwenden.
- Zum Anschließen der Klemmen M1 und M2 und der Erdungsklemme an der Klemmleiste für das Übertragungskabel (TB3) jeder einzelnen Heizungseinheit (OC) an die Klemmen M1, M2 und an die Klemme S an der Übertragungsklemmleiste des Innengerätes (IC) Speiseleitungen verwenden.
- Verbinden Sie die Anschlüsse 1 (M1) und 2 (M2) am Anschlußkasten der Übertragungskabel des Innenaggregates (IC), das auf die letzte angegebene Adresse innerhalb der gleichen Gruppe eingestellt ist, mit der Klemmleiste der Fernbedienung (RC).
- Die Klemmen M1, M2 und die Klemme S an der Klemmleiste für die Zentralsteuerung (TB7) für die Heizungseinheit (OC) miteinander verbinden.
- Den Überbrückungs-Stecker an der Steuerkonsole von CN41 nach CN40 nur an einer Heizungseinheit ändern.
- Die Klemme S an der Klemmleiste für die Zentralsteuerung (TB7) der Heizungseinheit (OC) des Gerätes, in das der Überbrückungs-Stecker bei dem vorhergehenden Schritt in CN40 an die Erdungsklemme (⊕) in dem Kasten für Elektrokomponenten eingesetzt wurde, anschließen.
- Den Schalter für die Adresseneinstellung wie folgt einstellen.  
\* Zum Einstellen der Adresse der Heizungseinheit auf 100 muß der Schalter für die Einstellung der Adresse der Heizungseinheit auf 50 eingestellt werden.

Aggregat	Bereich	Einstellung
IC (Hauptaggregat)	01 bis 50	Letzte Adresse der gleichen Gruppe der Innenaggregate einstellen
IC (Unteraggregat)	01 bis 50	Stellen Sie eine andere Adresse als die Adresse des IC Hauptaggregates in der gleichen Gruppe der Innenaggregate ein. Sie muß sich in der gleichen Sequenz mit dem IC (Hauptaggregat) befinden
Heizungseinheit	51 bis 100	Letzte angegebene Adresse aller Innenaggregate plus 50 einstellen
BC-Steuereinheit	51 bis 100	Adresse Heizungseinheit plus 1
M-NET R/C (Hauptaggregat)	101 bis 150	IC (Hauptaggregat) Adresse innerhalb der gleichen Adressen der Gruppe der Innenaggregate plus 100 einstellen
M-NET R/C (Unteraggregat)	151 bis 200	IC (Hauptaggregat) Adresse innerhalb der gleichen Adressen der Gruppe der Innenaggregate plus 150 einstellen
MA R/C	–	Nicht erforderliche Adresseneinstellung (Erforderliche Einstellung Haupt/Sub)

- Die Einstellung der Gruppenoperation verschiedener Innenaggregate kann, nach dem Einschalten der Netzspannung, durch die Fernbedienung (RC) erfolgen.

<Zulässige Kabellängen>

### ① M-NET-Fernbedienung

- Maximale Länge über alle Heizungseinheiten:  $L_1+L_2+L_3+L_4$  und  $L_1+L_2+L_3+L_5$  und  $L_1+L_2+L_6+L_7 \leq 500$  m (1,25 mm<sup>2</sup> oder mehr)
- Längste Übertragungskabellänge:  $L_1$  und  $L_3+L_4$  und  $L_3+L_5$  und  $L_6$  und  $L_2+L_6$  und  $L_7 \leq 200$  m (1,25 mm<sup>2</sup> oder mehr)
- Fernbedienungskabellänge:  $\ell_1, \ell_2, \ell_3, \ell_4 \leq 10$  m (0,3 bis 1,25 mm<sup>2</sup>)  
Überschreitet die Kabellänge den Wert von 10 m, benutzen Sie abgeschirmte Kabel des Querschnitts 1,25 mm<sup>2</sup>. Die Länge dieses Abschnitts ( $L_8$ ) sollte sowohl in die Kalkulation der maximalen Länge als auch in die Berechnung der Gesamtlänge eingerechnet werden.

### ② MA-Fernbedienung

- Größte Länge über die Außenaggregate (M-NET-Kabel):  $L_1+L_2+L_3+L_4$  und  $L_1+L_2+L_6+L_7 \leq 500$  m (1,25 mm<sup>2</sup> oder mehr)
- Längste Übertragungskabellänge (M-NET-Kabel):  $L_1$  und  $L_3+L_4$  und  $L_6$  und  $L_2+L_6$  und  $L_7 \leq 200$  m (1,25 mm<sup>2</sup> oder mehr)
- Fernbedienungskabellänge:  $m_1$  und  $m_1+m_2+m_3$  und  $m_1+m_2+m_3+m_4 \leq 200$  m (0,3 bis 1,25 mm<sup>2</sup>)

## 9.4. Verdrahtung der Hauptspannungsversorgung und Kapazität der Einheiten

Schematische Darstellung der Verdrahtung (Beispiel)

[Fig. 9.4.1] (P.4)

- Ⓐ Leitungsunterbrecher (Erdschlußunterbrecher)      Ⓑ Heizungseinheit      Ⓒ BC - Steuereinheit  
Ⓓ Einziehdose      Ⓔ Innenaggregat      Ⓕ Unterbrecherkontakte für Stromlecks

Drahtstärke der Kabel der Hauptspannungsversorgung und der Ein/Aus Schalter

Modell	Minimum - Drahtstärke (mm <sup>2</sup> )			Schalter (A)		Unterbrecher Schutzschalter für Verdrahtung (NFB)	Unterbrecher Schutzschalter für Leckstrom	
	Hauptkabel	Verteilung	Erdung	Kapazität	Sicherung			
Heizungseinheit	P200	4,0	–	4,0	32	32	40A	30A, 100mA, 0,1Sek. oder weniger
	P250	6,0	–	6,0	40	40	40A	40A, 100mA, 0,1Sek. oder weniger
BC-Steuereinheit Innenaggregat		1,5	1,5	1,5	16	16	20A	20A, 30mA, 0,1Sek. oder weniger

- Für jede Heizungseinheit und jedes Innengerät einen getrennten Netzanschluß verwenden.
- Berücksichtigen Sie bei der Verkabelung und den Anschlüssen die Umgebungsbedingungen (Umgebungstemperatur, direktes Sonnenlicht, Regenwasser, usw.)
- Die Leitungsstärke ist der Minimalwert für die Verkabelung mit Metalleitern. Um Spannungsabfall zu vermeiden, muß die Stärke der Netzanschlußleitung eine Nummer größer gewählt werden. Die Netzstromspannung sollte auf keinen Fall um mehr als 10 % abfallen.
- Bestimmte Verkabelungsvorschriften sollten die örtlichen Vorschriften einhalten.
- Kabel für die Stromversorgung von Außengeräten sollten nicht dünner sein als flexible Leitungen mit Polychloropren-Mantel (Nr. 245 nach IEC-Norm 57).
- Bei der Installation der Klimaanlage muß ein Schalter mit mindestens 3mm Kontaktabstand an jedem Pol vorgesehen werden.

### ⚠ Warnung:

- Immer nur Drähte der vorgeschriebenen Sorte zur Verbindung verwenden und die Verbindung so herstellen, daß keine Kräfte von außen auf die Klemmenanschlüsse einwirken. Wenn die Verbindungen nicht richtig hergestellt werden, kann Überhitzung oder Feuer hervorgerufen werden.
- Darauf achten, daß ein Überstromschutzschalter der geeigneten Art verwendet wird.  
Bitte beachten, daß evtl. entstehender Überstrom einen gewissen Anteil Gleichstrom aufweisen kann.

### ⚠ Vorsicht:

- An einigen Einbauplätzen muß eventuell ein Erdschlußunterbrecher installiert werden, um elektrische Schläge zu vermeiden.
- Ausschließlich Unterbrecher und Sicherungen mit der korrekten Kapazität verwenden. Sicherungen und Drähte oder Kupferdrähte mit zu hoher Kapazität können Betriebsstörungen des Aggregats oder Brände verursachen.

## 10. Testbetrieb

### 10.1. Die folgenden Symptome sind nicht als Betriebsstörungen (Notfall) anzusehen

Symptom	Anzeige der Fernbedienung	Ursache
Beim Umschalten von Kühl- auf Heizbetrieb erzeugen Innenaggregat und BC-Regler mitunter Betriebsgeräusche.	<b>Normale Anzeige</b>	Es handelt sich hier lediglich um das Umschaltgeräusch beim Übergang auf eine andere Betriebsart, das durchaus normal ist.
Innenanlage arbeitet nicht im Kühl-(Heiz-)Betrieb.	<b>“Kühlen (Heizen)” blinkt</b>	Wenn mehrere Innengeräte (maximal 3) an denselben Zweig der BC Steuereinheit angeschlossen sind, kann der Heiz- bzw. Kühlbetrieb nicht ausgeführt werden, wenn eine andere Innenanlage im Heiz- bzw. Kühlbetrieb arbeitet.
Die Luftstromrichtung des automatischen Gebläses wechselt.	<b>Normale Anzeige</b>	Aufgrund der automatischen Regelung des Gebläses, kann der Abwärtsluftstrom bei Kühlbetrieb automatisch auf horizontalen Luftstrom wechseln, wenn der Abwärtsluftstrom bereits 1 Stunde in Betrieb war.
Die Gebläseeinstellung wechselt bei Heizbetrieb.	<b>Normale Anzeige</b>	Bei ausgeschaltetem Thermostat (OFF) schaltet das Gebläse auf extrem geringe Laufgeschwindigkeit um. Bei eingeschaltetem Thermostat (ON) wechselt ein leichter Luftstrom je nach Zeit oder Rohrtemperatur automatisch auf den voreingestellten Wert.
Das Gebläse stoppt während des Heizbetriebs.	<b>Anzeige: Entfrosten</b>	Beim Entfrosten muß das Gebläse ausgeschaltet sein.
Das Gebläse läuft nach Ausschalten der Klimaanlage weiter.	<b>Leuchtet nicht</b>	Der Lüfter läuft nach dem Ausschalten des Gerätes (nur im Heizungsbetrieb) noch eine Minute nach, um Restwärme abzuführen.
Keine Gebläseeinstellung nach Drücken der Starttaste.	<b>Heizbereit</b>	Sehr geringe Laufgeschwindigkeit für 5 Minuten nach Drücken der Starttaste auf ON, oder bis die Leitungstemperatur 35 °C erreicht hat. Danach Betrieb mit sehr geringer Laufgeschwindigkeit für 2 Minuten mit anschließender Einstellung des Gebläses (Heizbetriebsregelung).
Beim Drehen des Schalters auf ‚ein‘ arbeitet die Heizungseinheit nicht.	<b>Normale Anzeige</b>	Wenn die Außenanlage gekühlt wird und das Kältemittel ruht, erfolgt über einen Zeitraum von wenigstens 35 Minuten ein Aufwärmvorgang, mit dem der Kompressor erwärmt wird. Während dieser Zeit arbeitet nur das Gebläse.
Die Fernbedienung des Innenaggregats zeigt beim Einschalten der Allstromversorgung etwa zwei Minuten lang “HO”.	<b>“HO” blinkt</b>	System wird angesteuert. Die Fernbedienung nach Erlöschen von “HO” nochmals betätigen.
Die Abblaspumpe stoppt nach Ausschalten des Aggregats nicht.	<b>Die Beleuchtung ist erloschen</b>	Nach dem Ausschalten des Kühlbetriebs läuft die Abblaspumpe drei Minuten lang weiter und stoppt anschließend.
Die Abblaspumpe läuft nach dem Ausschalten des Aggregats weiter.		Die Abblaspumpe des Außenaggregats läuft weiter solange Abflußwasser vorhanden ist, auch wenn das Außenaggregat ausgeschaltet wurde.

# Table des matières

1. Consignes de sécurité .....	22	7. Installation des tuyaux de réfrigérant .....	25
1.1. Avant l'installation de l'appareil et l'installation électrique .....	22	7.1. Précaution .....	25
1.2. Précautions à prendre avec les dispositifs utilisant le réfrigérant R407C .....	23	7.2. Système de mise en place des tuyaux de réfrigérant .....	26
1.3. Avant de procéder à l'installation .....	23	8. Charge supplémentaire de réfrigérant .....	26
1.4. Avant de procéder à l'installation (déplacement)-installation électrique .....	23	8.1. Calcul de la charge supplémentaire de réfrigérant .....	26
1.5. Avant d'effectuer l'essai .....	23	8.2. Précautions à prendre lors du raccordement des tuyaux/du fonctionnement de la valve .....	26
2. Association aux appareils intérieurs .....	24	8.3. Test d'étanchéité à l'air, évacuation et mise en place du réfrigérant .....	27
3. Vérification des pièces livrées .....	24	8.4. Isolation thermique des tuyaux de réfrigérant .....	27
4. Comment soulever l'appareil .....	24	9. Câblage .....	28
5. Installation de l'appareil et espace de service .....	24	9.1. Précaution .....	28
5.1. Installation .....	24	9.2. Boîtier de commande et emplacement pour le raccordement des câbles .....	28
5.2. Espace de service .....	24	9.3. Mise en place des câbles de transmission .....	28
6. Installation du tuyau d'eau .....	24	9.4. Câblage de l'alimentation principale et capacité des équipements .....	29
6.1. Précautions à prendre pendant l'installation .....	24	10. Essai de fonctionnement .....	30
6.2. Mise en place de l'isolation .....	25	10.1. Les phénomènes suivants ne constituent pas des problèmes (urgence) .....	30
6.3. Traitement de l'eau et contrôle de la qualité de l'eau .....	25		
6.4. Engrenage des pompes .....	25		

## 1. Consignes de sécurité

### 1.1. Avant l'installation de l'appareil et l'installation électrique

- ▶ Avant d'installer le climatiseur, lire attentivement toutes les "Consignes de sécurité".
- ▶ Les "Consignes de sécurité" reprennent des points très importants concernant la sécurité. Veuillez bien à les suivre.

#### Symboles utilisés dans le texte





##### Avertissement:

Précautions à suivre pour éviter tout danger de blessure ou de décès de l'utilisateur.

##### Précaution:

Précautions à suivre pour éviter tout endommagement de l'appareil.

#### Symboles utilisés dans les illustrations

-  : Indique une action qui doit être évitée.
-  : Indique des instructions importantes à suivre.
-  : Indique un élément à mettre à la terre.
-  : Danger d'électrocution. (Ce symbole se trouve sur l'étiquette de l'appareil principal.) <Couleur: jaune>

##### Avertissement:

Lisez soigneusement les étiquettes se trouvant sur l'appareil principal.

##### Avertissement:

- **Demandez à votre revendeur ou à un technicien agréé d'installer le climatiseur.**
  - En cas de mauvaise installation, il y aurait un risque de fuite d'eau, d'électrocution ou d'incendie.
- **Installer l'appareil dans un endroit capable de supporter son poids.**
  - Autrement l'appareil risque de tomber et de blesser quelqu'un.
- **Utilisez les câbles mentionnés pour les raccordements. Assurez-vous que les connexions soient effectués correctement de façon à ce que la force externe du câble ne s'applique pas aux bornes.**
  - Un mauvais raccordement pourrait provoquer une surchauffe, voire un incendie.
- **Lors de l'installation de l'appareil à l'emplacement spécifié, prenez en compte les facteurs naturels tels que la pluie, l'humidité et ou les tremblements de terre.**
  - L'appareil pourrait tomber et par conséquent blesser quelqu'un si l'installation n'est pas effectuée correctement.
- **Toujours utiliser un filtre et les autres accessoires spécifiés par Mitsubishi Electric.**
  - Demandez à un technicien agréé d'installer les accessoires. Une mauvaise installation par l'utilisateur pourrait provoquer des fuites d'eau, électrocution ou un incendie.
- **Ne réparez jamais vous-même l'appareil. En cas de réparation nécessaire, veuillez consulter le revendeur.**
  - Toute mauvaise réparation pourrait résulter en des fuites d'eau, chocs électriques ou incendies.
- **En cas de fuite de gaz durant l'installation, aérez la pièce.**
  - Si le gaz réfrigérant entre en contact avec une flamme, il y aura émission de gaz toxiques.
- **Installez le climatiseur en respectant les instructions du manuel d'installation.**
  - En cas d'installation incorrecte, il y aura un risque de fuites d'eau, d'électrocution ou d'incendie.
- **Demandez à un électricien qualifié d'effectuer l'installation électrique conformément aux "Normes concernant les installations électriques" et les "Règlementations sur le câblage intérieur" ainsi que les instructions de ce manuel; utilisez toujours un circuit différent.**
  - Si la capacité de la source d'alimentation n'est pas adéquate ou si l'installation électrique n'est pas effectuée correctement, il y aura un risque d'électrocution ou d'incendie.
- **Mettez fermement en place le couvercle des bornes de l'appareil extérieur (panneau).**
  - Si le couvercle des bornes (panneau) n'est pas mis en place correctement, il se peut que de la poussière ou de l'eau s'infilte dans l'appareil extérieur et par conséquent il y aura un risque d'incendie ou d'électrocution.
- **Lors du déplacement et de l'installation du climatiseur à un endroit différent, ne le remplissez pas d'un réfrigérant différent, utilisez le réfrigérant R407C spécifié sur l'appareil.**
  - Lorsqu'un réfrigérant différent est mélangé au réfrigérant d'origine, il se peut que le cycle du réfrigérant ne fonctionne pas correctement et que l'appareil soit endommagé.
- **Si le climatiseur est installé dans une pièce relativement petite, certaines mesures doivent être prises pour éviter que la concentration de réfrigérant ne dépasse le seuil de sécurité en tenant compte des possibilités de fuites de réfrigérant.**
  - Consultez votre revendeur sur les précautions nécessaires à prendre afin que la limite admissible ne soit pas dépassée. Si le réfrigérant fuit et que la limite admissible est dépassée, il pourrait se produire des accidents suite au manque d'oxygène dans la pièce.
- **Veuillez consulter votre revendeur ou un technicien agréé lors du déplacement et de l'installation du climatiseur dans un différent endroit.**
  - Une mauvaise installation du climatiseur pourrait résulter en fuites d'eau, électrocution ou un incendie.
- **L'installation terminée, assurez-vous qu'il n'y a aucune fuite de gaz.**
  - Si le gaz réfrigérant fuit et entre en contact avec un radiateur soufflant, un poêle, un four ou toute autre source de chaleur, il se peut que des gaz toxiques soient relâchés.
- **Ne réarrangez pas et ne changez pas les réglages des dispositifs de sécurité.**
  - Si l'interrupteur de pression, l'interrupteur thermique ou tout autre dispositif de sécurité sont court-circuités ou utilisés avec trop de force, ou si toutes autres pièces que celles spécifiées par Mitsubishi Electric sont utilisées, il y aura un risque d'incendie ou d'explosion.
- **Pour vous débarrasser de ce produit, consultez votre concessionnaire.**
- **Le technicien-installateur prendra toutes les précautions nécessaires pour éviter toutes fuites conformément aux réglementations ou normes locales.**
  - Les normes suivantes sont parfois applicables s'il n'existe aucune réglementation locale.
- **Faites particulièrement attention à l'endroit d'installation, par exemple un sous-sol, etc. où le gaz réfrigérant peut s'accumuler, étant donné que le réfrigérant est plus lourd que l'air.**

## 1.2. Précautions à prendre avec les dispositifs utilisant le réfrigérant R407C

### ⚠ Précaution:

- **N'utilisez pas les tuyaux de réfrigérant actuels.**
  - Le vieux réfrigérant et l'huile réfrigérante se trouvant dans les tuyaux contiennent une large quantité de chlore qui pourrait abîmer l'huile réfrigérante du nouvel appareil.
- **Utiliser des tuyaux de réfrigérant en cuivre désoxydé au phosphore et des tuyaux et gaines en alliage de cuivre sans soudures. Veillez également à ce que les surfaces internes et externes des tuyaux soient propres et sans soufre, oxyde, poussière/impuretés, rognures, huile, condensation ou autre particule contaminante.**
  - Tout contaminant à l'intérieur des tuyaux de réfrigérant pourrait provoquer la détérioration de l'huile réfrigérante résiduelle.
- **Gardez les tuyaux à l'intérieur de l'immeuble et gardez les deux extrémités du tuyau couvertes jusqu'à ce que vous soyez prêt à les braser. (Gardez les joints articulés et autres joints dans des sacs en plastique.)**
  - Si de la poussière, de la saleté ou de l'eau s'infiltré dans le cycle du réfrigérant, le réfrigérant risque de se détériorer et le compresseur risque de ne pas fonctionner correctement.
- **Appliquez une petite quantité d'huile ester, ether ou alkylbenzène sur les évasements et les connexions à brides.**
  - L'huile réfrigérante se détériorera lorsque mélangée à une grande quantité d'huile minérale.
- **Utilisez un réfrigérant liquide pour remplir le système.**
  - Si l'on utilise du gaz réfrigérant pour rendre le système hermétique, la composition du réfrigérant se trouvant dans le cylindre changera et il se peut que la performance ne soit plus aussi bonne.
- **Utilisez uniquement du réfrigérant R407C.**
  - Si on utilise un autre réfrigérant (R22, etc.), le chlore présent dans le réfrigérant provoquera la détérioration de l'huile réfrigérante.
- **Utilisez une pompe à vide équipée d'une valve de contrôle de flux inverse.**
  - Il se peut que l'huile de la pompe à vide reparte dans le cycle du réfrigérant ce qui entraînerait la détérioration de l'huile réfrigérante.
- **N'utilisez pas les outils énumérés ci-dessous, destinés aux réfrigérants traditionnels.**  
**(Jauge collectrice, tuyau de charge, détecteur de fuite de gaz, valve de contrôle de flux inverse, base de remplissage du réfrigérant, équipements de récupération de réfrigérant).**
  - Si l'on mélange un réfrigérant courant à l'huile réfrigérante dans le R407C, il se peut que le réfrigérant se détériore.
  - Si de l'eau se mélange au R407C, il se peut que l'huile réfrigérante se détériore.
  - Etant donné que le R407C ne contient pas de chlore, les détecteurs de fuite de gaz conçus pour les réfrigérants traditionnels ne réagiront pas en cas de fuite du R407C.
- **N'utilisez pas de cylindre de charge.**
  - Autrement le réfrigérant pourrait se détériorer.
- **Faites particulièrement attention lors de l'utilisation des outils.**
  - Si de la poussière, de la saleté ou de l'eau s'infiltré dans le cycle du réfrigérant, il se peut que le réfrigérant se détériore.

## 1.3. Avant de procéder à l'installation

### ⚠ Précaution:

- **N'installez pas l'appareil dans un endroit sujet aux fuites de gaz inflammables.**
  - S'il y a une fuite de gaz et que le gaz s'accumule autour de l'appareil, il y aura des risques d'explosion.
- **N'utilisez pas le climatiseur près d'animaux ou de plantes ou près d'aliments, d'instruments de précision ou d'objets d'art.**
  - La qualité d'aliments etc. pourrait en souffrir.
- **N'utilisez pas le climatiseur dans certains environnements.**
  - L'huile, la vapeur, la fumée sulfurique, etc. peuvent considérablement réduire la performance du climatiseur ou en endommager les pièces.
- **Lors de l'installation de l'appareil dans un hôpital, une station de communications ou tout endroit similaire, veillez à ce qu'il soit correctement protégé contre le bruit.**
  - Les équipements onduleurs, générateurs privés, équipements médicaux à haute fréquence ou de communication radiophonique peuvent empêcher le climatiseur de fonctionner ou de fonctionner proprement. De plus, il se peut que le climatiseur ait un effet nuisible sur ce genre d'équipements en faisant du bruit qui générerait les traitements médicaux ou l'envoi d'images.
- **N'installez pas l'appareil sur une structure qui pourrait causer des fuites.**
  - Lorsque l'humidité de la pièce dépasse 80 % ou lorsque le tuyau d'écoulement est bouché, il se peut que des gouttes d'eau tombent de l'appareil intérieur. Veillez à fournir une voie d'écoulement pour l'appareil intérieur et l'appareil extérieur si nécessaire.

## 1.4. Avant de procéder à l'installation (déplacement)-installation électrique

### ⚠ Précaution:

- **Mettez l'appareil à la terre.**
  - Ne branchez pas le fil de mise à la terre à un tuyau de gaz ou d'eau, un paratonnerre ou câble téléphonique de terre. Une mauvaise mise à la terre peut provoquer des risques d'électrocution.
- **L'inversion de phase des lignes L (L1, L2, L3) peut être détectée (code d'erreur: 4103), mais l'inversion de phase des lignes L et de la ligne N ne peut être détectée.**
  - La mise sous tension de l'appareil alors que le câblage est défectueux risque d'endommager certains composants électriques.
- **Installez le câble d'alimentation de façon à ce qu'il ne soit pas tendu.**
  - Autrement le fil pourrait se rompre, engendrant un surchauffage et par conséquent des risques d'incendie.
- **Installez un disjoncteur, comme spécifié.**
  - Sans disjoncteur, il y aura risque d'électrocution.
- **Utilisez des câbles d'alimentation dont la capacité à distribuer le courant et la valeur nominale sont adéquates.**
  - Si les câbles sont trop petits, il est possible qu'il y ait des fuites, entraînant un surchauffage qui en retour pourrait causer un incendie.
- **Utilisez uniquement un disjoncteur et un fusible de la valeur indiquée.**
  - Si un fusible ou disjoncteur de plus grande valeur ou un fil en acier ou en cuivre est utilisé, il se peut que l'appareil ne fonctionne pas ou qu'il y ait un risque d'incendie.
- **Ne lavez pas les différents éléments du climatiseur.**
  - Autrement il y aurait un risque de choc électrique.
- **Assurez-vous que la base d'installation ne soit pas abîmée à cause d'un usage prolongé.**
  - Si l'endommagement n'est pas réparé, l'appareil pourrait tomber et par conséquent blesser quelqu'un ou abîmer le mobilier ou d'autres biens.
- **Installez les tuyaux d'écoulement conformément aux instructions du manuel d'installation afin d'assurer que l'écoulement se fait correctement. Enveloppez les tuyaux de matériaux isolants afin d'empêcher la formation de condensation.**
  - Si les tuyaux d'écoulement ne sont pas installés correctement, il se peut qu'il y ait des fuites d'eau et par conséquent des dégâts au mobilier ou à d'autres biens.
- **Faites attention pendant le transport de l'appareil.**
  - Cet appareil doit être porté par au moins deux personnes s'il pèse plus de vingt kilos.
  - Certains appareils sont emballés à l'aide de courroies PP. N'utilisez pas de courroies PP pour le transport de l'appareil, car cela est dangereux.
  - Lorsque vous transportez l'unité source de chaleur par les boulons de suspension, soutenez-la toujours en quatre points. Si le support est en trois points ou moins, l'unité risque d'être instable lors de sa mise en place et de tomber.
- **Jetez les emballages dans un endroit où ils ne présenteront aucun risque pour quiconque.**
  - Il est possible de se blesser sur les matériaux utilisés pour l'emballage, par exemple les clous ou autres pièces métalliques ou en bois.
  - Déchirez et jetez les sacs d'emballage en plastique de façon à ce qu'ils soient hors de la portée des enfants pour éviter tout risque de suffocation.

## 1.5. Avant d'effectuer l'essai

### ⚠ Précaution:

- **Mettez l'appareil sous tension au moins 12 heures avant de le faire fonctionner.**
  - La mise en marche de l'appareil immédiatement après sa mise sous tension pourrait provoquer de sérieux dégâts aux éléments internes. Ne mettez pas l'appareil hors tension pendant la saison de fonctionnement.
- **Ne touchez pas les interrupteurs avec les doigts mouillés.**
  - Vous risqueriez d'être électrocuté.
- **Ne touchez pas les tuyaux de réfrigérant pendant ou immédiatement après le fonctionnement.**
  - Les tuyaux sont parfois chauds ou froids pendant ou immédiatement après le fonctionnement de l'appareil, selon la condition du réfrigérant coulant dans les tuyaux de réfrigérant, le compresseur et les autres parties du cycle du réfrigérant. En les touchant vous risqueriez de brûler ou geler les mains.
- **Ne faites pas fonctionner le climatiseur lorsque les panneaux et dispositifs de sécurité ont été enlevés.**
  - Les éléments tournants, chauds ou sous haute tension peuvent en effet être dangereux et vous risqueriez de vous blesser.
- **Ne mettez pas l'appareil immédiatement hors tension après son fonctionnement.**
  - Attendez au moins cinq minutes avant de le mettre hors tension. Autrement, il y aura un risque de fuite d'eau ou de mauvais fonctionnement.
- **Ne touchez pas la surface du compresseur pendant les interventions techniques.**
  - Si l'appareil est raccordé au secteur sans fonctionner, le chauffage du carter est toujours sous tension au niveau du compresseur.

## 2. Association aux appareils intérieurs

Modèle	PQRY-P200YEM-A	PQRY-P250YEM-A
Niveau sonore	51 dB <A>	52 dB <A>
Poids net	270 kg	280 kg
Pression permise	HP: 2,94 MPa, LP: 1,6 MPa	
Réfrigérant	R407C: 7,5 kg	R407C: 8,5 kg
Appareils intérieurs	Capacité totale	50 ~ 150 %
	Modèle / Quantité	20 ~ 200 / 1 ~ 15
Température d'exploitation	Température de l'eau: 10°C ~ 45°C Remarque 1	

Remarque 1. Lorsque la capacité totale des appareils intérieurs dépasse 130% de la capacité des unités de source de chaleur, la plage de température d'exploitation de l'eau en circulation est de 15°C à 45°C.

## 3. Vérification des pièces livrées

- |   |  |                     |
|---|--|---------------------|
| ① Boulons de suspension M12 × 4                   | ② Tableau de câblage × 1                       | ③ Vis à tôle M4 × 2 |
| ④ Raccord × 1 (Le raccord est fixé à l'appareil.) | ⑤ Emballage (intérieur ø23, extérieur ø35) × 1 | ⑥ Manchon × 2       |

## 4. Comment soulever l'appareil

[Fig. 4.0.1] (P.2)

### ⚠ Prudence:

Faire preuve d'une grande prudence lors du transport de l'appareil.

- Portez l'appareil par au moins 2 personnes si celui-ci pèse plus de 20 kg.
- Les courroies PP servent à emballer certains éléments. Ne les utilisez pas pour transporter l'appareil, car elles peuvent se révéler dangereuses.
- Déchirer l'emballage plastique et le jeter pour éviter que des enfants ne jouent avec car ils pourraient s'étouffer avec.
- Lors du transport de la source de chaleur, etc. par les boulons à œil, toujours la soutenir à quatre emplacements. Si vous ne la soutenez qu'à trois endroits ou moins, elle sera instable lorsque vous la déposerez et pourrait tomber.

## 5. Installation de l'appareil et espace de service

### 5.1. Installation

- Utiliser les orifices d'ancrage indiqués ci-dessous pour boulonner fermement l'appareil à son socle.

[Fig. 5.1.1] (P.2)

- |                     |                              |
|---------------------|------------------------------|
| Ⓐ Source de chaleur | Ⓔ 4-ø14 (orifices d'ancrage) |
| Ⓒ (Vue du dessus)   |                              |

#### Socles et précautions à prendre contre les vibrations

- Toujours installer l'appareil dans un endroit suffisamment robuste que pour en supporter le poids. Si la base est instable, la renforcer avec un socle en béton.
- Ancrer l'appareil sur une surface à niveau. Utiliser un niveau pour vérifier l'horizontalité de l'installation.
- Placer des coussinets anti-vibrations sous la base de l'appareil.
- Si l'appareil est installé à proximité d'une pièce pour laquelle le bruit pourrait représenter un problème, il est conseillé de monter une base anti-vibrations sur le socle de support de l'appareil.

[Fig. 5.1.2] (P.2)

- |                             |                  |
|-----------------------------|------------------|
| Ⓓ Coussinet anti-vibrations | Ⓔ Socle en béton |
|-----------------------------|------------------|

### ⚠ Avertissement:

- **Installez toujours l'appareil dans un endroit pouvant supporter son poids. Dans le cas contraire, l'appareil pourrait tomber et par conséquent blesser quelqu'un.**
- **Effectuez les travaux nécessaires afin d'assurer a protection de l'appareil contre les tremblements de terre. Toute installation défectueuse risquerait de causer la chute de l'appareil et par conséquent de blesser quelqu'un.**

### 5.2. Espace de service

- Prévoir les espaces suivants pour les interventions techniques après l'installation de l'appareil. (Toutes les interventions techniques peuvent se faire à partir de la face avant de l'appareil)

[Fig. 5.2.1] (P.2)

- |  |                                  |
|--|----------------------------------|
| Ⓐ Espace pour la tuyauterie (en cas de mise en place des tuyaux par la gauche) | Ⓒ Espace de service (face avant) |
| Ⓑ Source de chaleur  |                                  |
| Ⓓ (Vue du dessus)  |                                  |

[Fig. 5.2.2] (P.2)

- |  |                 |
|--|-----------------|
| Ⓔ Espace pour la tuyauterie (en cas de mise en place des tuyaux par le haut)   |                 |
| Ⓕ Espace pour la tuyauterie (en cas de mise en place des tuyaux par la gauche) |                 |
| Ⓖ Source de chaleur  | Ⓗ (Vue de face) |

## 6. Installation du tuyau d'eau

- Les tuyaux des climatiseurs de la série City Multi WR2 sont semblables à ceux d'autres climatiseurs. Il convient cependant de prendre les précautions suivantes lors de leur installation.

### 6.1. Précautions à prendre pendant l'installation

- Utiliser la méthode de retour inverse pour assurer une résistance adéquate des tuyaux de chaque appareil.
- Pour faciliter l'entretien, les vérifications et le remplacement de l'appareil, utiliser un joint, une soupape, etc. adaptés aux orifices d'arrivée et d'évacuation de l'eau. En outre, toujours installer un épurateur sur le tuyau d'arrivée d'eau. (Pour préserver la source de chaleur, il est nécessaire d'installer un épurateur à l'arrivée de l'eau devant circuler dans l'appareil.)  
\* Le diagramme ci-dessous donne un exemple d'installation de la source de chaleur.
- Installer une ventilation adéquate sur le tuyau d'eau. Après l'envoi d'eau dans le tuyau, toujours veiller à évacuer l'excédent d'air.
- De l'eau comprimée peut se former dans les sections à basse température de la source de chaleur. Utiliser un tuyau d'écoulement raccordé à la soupape de drainage du bas de l'appareil pour évacuer l'eau.

- Il y a un orifice prévu pour le drainage de l'eau au centre de la tête d'arrivée d'eau de l'échangeur de chaleur, au milieu de l'appareil. Vous pouvez l'utiliser lors de l'entretien de l'appareil, etc.  
En outre, ne jamais mouiller aucun des éléments électriques de l'appareil (comme la bobine de la vanne solénoïdale ou l'alimentation du compresseur).
- Installer une soupape anti-reflux sur la pompe ainsi qu'un joint souple pour éviter des vibrations excessives.
- Utiliser un manchon pour protéger les tuyaux à leur endroit de pénétration dans les murs.
- Utiliser des fixations métalliques pour fixer les tuyaux et les installer de sorte à assurer une protection maximum contre les ruptures et les fuites.
- Ne pas confondre les soupapes d'arrivée d'eau et d'évacuation.
- Cet appareil ne comprend pas d'élément de chauffage empêchant l'eau de geler. Lorsque l'eau ne s'écoule plus à cause d'une température ambiante trop basse, videz les tubes de l'eau.
- Les orifices à dégager non utilisés doivent être tenus fermés. L'ouverture des tuyaux de réfrigérant, des tuyaux d'eau, des câbles de la source d'alimentation et de transmission doivent être remplis de mastic ou autre matière similaire afin que la pluie ne puisse pénétrer le dispositif (construction en plein air).

**Exemple d'installation de la source de chaleur (lors de la mise en place des tuyaux par la gauche)**



[Fig. 6.1.1] (P.2)

- Ⓐ Tuyau de circulation de l'eau
- Ⓑ Vanne d'arrêt
- Ⓒ Vanne d'arrêt
- Ⓓ Evacuation de l'eau
- Ⓔ Tuyaux de réfrigérant
- Ⓕ Vanne de type en Y
- Ⓖ Arrivée d'eau
- Ⓖ Tuyau de drainage

## 6.2. Mise en place de l'isolation

Avec la tuyauterie des climatiseurs de la série City Multi WR2, tant que la plage de température de l'eau en circulation est maintenue à une température moyenne annuelle (30°C en été, 20°C en hiver), il n'est pas nécessaire d'isoler ou de protéger les tuyaux de toute autre manière. Vous devez seulement les isoler dans les cas suivants :

- Tuyauterie à l'extérieur.
- Tuyauteries intérieures dans des régions froides où les tuyaux gelés constituent un problème.
- Lorsque l'air venant de l'extérieur provoque la formation de condensation sur la tuyauterie.
- Tuyaux d'écoulement.

## 6.3. Traitement de l'eau et contrôle de la qualité de l'eau

Pour préserver la qualité de l'eau, utiliser le type de tour de refroidissement fermée pour le WR2. Lorsque la qualité de l'eau du circuit est mauvaise, l'échangeur de chaleur à eau peut s'entartrer, ce qui diminue sa puissance et peut conduire à sa corrosion. Toujours prendre le plus grand soin au traitement de l'eau et au contrôle de la qualité de celle-ci lors de l'installation du système avec circulation d'eau.

- Retirer tous les corps étrangers et les impuretés de la tuyauterie. Pendant l'installation, évitez la pénétration de corps étrangers, comme des débris de soudure, des particules de joints ou de rouille dans les tuyaux.
- Traitement de la qualité de l'eau
  - ① En fonction de la qualité de l'eau froide utilisée dans le climatiseur, les tuyauteries en cuivre de l'échangeur de chaleur peuvent rouiller. Nous conseillons d'effectuer régulièrement un contrôle de la qualité de l'eau. Les systèmes à circulation d'eau froide utilisant des réservoirs de stockage de chaleur sont particulièrement sujets à la corrosion.
  - ② Norme de qualité de l'eau

Eléments		Valeurs normales
Eléments standards	PH (25°C)	7,0 ~ 8,0
	Conductivité électrique (25°C) (μ s/cm)	300 ou moins
	Ions de chlore Cl <sup>-</sup> (mg/l)	50 ou moins
	Ions de sulfate SO <sub>4</sub> <sup>2-</sup> (mg/l)	50 ou moins
	Alcalinité M CaCO <sub>3</sub> (mg/l)	50 ou moins
	Dureté totale CaCO <sub>3</sub> (mg/l)	70 ou moins
Eléments de référence	Fer Fe (mg/l)	1,0 ou moins
	Ions de soufre S <sup>2-</sup> (mg/l)	Doivent être indétectables
	Ions d'ammonium NH <sub>4</sub> <sup>+</sup> (mg/l)	Doivent être indétectables
Remarque 2	Silice SiO <sub>2</sub> (mg/l)	30 ou moins

Remarque 2 Le contenu des éléments de référence est dangereux. Cependant, le danger étant impossible à évaluer, ces éléments sont répertoriés comme éléments de référence.

- ③ Contacter un spécialiste du contrôle de la qualité des eaux pour en savoir plus sur les méthodes de contrôle et les calculs de dureté avant d'utiliser des solutions anti-corrosives pour la gestion de la qualité de l'eau.
- ④ Lors du remplacement d'un climatiseur installé auparavant (même lorsque seul l'échangeur de chaleur est remplacé), effectuer une analyse de la qualité de l'eau et vérifier s'il n'y a pas de corrosion. La corrosion peut se produire dans des systèmes à eau froide sans qu'il y ait eu de signes précurseurs. Si le niveau de la qualité de l'eau chute, régler correctement la qualité de l'eau avant de remplacer l'appareil.

## 6.4. Engrenage des pompes

La source de chaleur risque de s'abîmer si elle fonctionne sans circulation d'eau dans les tuyaux.

Toujours enclencher simultanément le fonctionnement de l'appareil et celui de la pompe du circuit d'eau. Utiliser les blocs terminaux pour l'enclenchement (TB8-3, 4) que vous trouverez sur l'appareil. Pour la connexion d'un signal de circuit d'enclenchement de pompe au TB8-3, 4, retirer le fil en court-circuit. Aussi, pour éviter toute fausse détection d'erreur due à une connexion défectueuse, au niveau de la soupape de pression 63PW, utiliser un faible courant maintenu à 5mA ou inférieur.

[Fig. 6.4.1] (P.2)

- Ⓐ Fil en court-circuit (Raccordé par le fabricant avant la livraison)
- Ⓑ Connexion du circuit d'enclenchement de la pompe

## 7. Installation des tuyaux de réfrigérant

La série de climatiseurs City Multi WR2 se compose d'un système d'embranchement final dans lequel les tuyaux de réfrigérant de l'appareil extérieur sont branchés au contrôleur BC et raccordés à chaque appareil intérieur.

La méthode de connexion adaptée consiste en une connexion à collerette pour le tuyau à basse pression et une connexion évasée (à goujon) pour le tuyau à haute pression entre l'appareil extérieur et le contrôleur BC ainsi qu'une connexion évasée entre le contrôleur BC et l'appareil intérieur. Des soudures sont utilisées pour relier les tuyaux aux embranchements.

### ⚠ Avertissement:

Faites toujours très attention que le gaz réfrigérant (R407C) ne s'échappe pas pendant l'utilisation de feu ou de flammes. Si le gaz réfrigérant entrainé en contact avec une flamme, quelle qu'en soit la source, par exemple une gazinière, il se désagrègerait et générerait des gaz toxiques susceptibles de provoquer un empoisonnement au gaz. Ne soudez jamais dans une pièce non aérée. Vérifiez toujours qu'il n'y a pas de fuite de gaz après l'installation des tuyaux de réfrigérant.

### 7.1. Précaution

- ① Utilisez les matériaux suivants pour les tuyaux de réfrigérant.
  - Matériel: Utiliser des tuyaux de réfrigérant en cuivre désoxydé au phosphore. Veillez également à ce que les surfaces internes et externes des tuyaux soient propres et sans soufre, oxyde, poussières, impuretés, rognures, huile, condensation ou autres particules contaminantes. (Pour les modèles R407C)
- ② Les tuyaux disponibles dans le commerce contiennent souvent de la poussière et autres éléments. Toujours les nettoyer en y insufflant un gaz sec et inerte.
- ③ Prenez les précautions nécessaires pour éviter que la poussière, l'eau ou tout autre élément contaminant s'infiltrer dans les tuyaux durant l'installation.
- ④ Réduisez le nombre de coudes autant que possible, et coudez les tuyaux selon un rayon aussi large que possible.
- ⑤ Veuillez toujours respecter les restrictions concernant les tuyaux de réfrigérant (par exemple la longueur nominale, la différence haute/basse pression, et le diamètre des tuyaux). Autrement l'équipement tombera en panne ou les modes de chauffage/de refroidissement ne fonctionneront plus correctement.
- ⑥ Le City Multi WR2 Series arrêtera de fonctionner en cas d'anomalie due à un manque ou un excès de réfrigérant. Dans ce cas, veuillez toujours remplir

correctement l'appareil. Lors de travaux d'entretien, repectez-vous toujours les remarques concernant la longueur des tuyaux et la quantité de réfrigérant supplémentaire nécessaire aux deux emplacements, les informations du tableau de calcul du volume de réfrigérant situé au dos du panneau de service et la section concernant la quantité supplémentaire de réfrigérant indiquée sur les étiquettes pour le nombre combiné d'appareils intérieurs.

- ⑦ Utilisez un réfrigérant liquide pour remplir le système.
- ⑧ N'utilisez jamais de réfrigérant pour purger l'air. Purgez-le toujours à l'aide d'une pompe à vide.
- ⑨ Isolez toujours les tuyaux correctement. Une isolation insuffisante risque en effet d'entraîner une diminution de la performance des modes de chauffage/refroidissement, la formation de gouttes de condensation et autres problèmes similaires.
- ⑩ Lors du raccordement des tuyaux de réfrigérant, veillez à ce que la vanne à bille de l'unité source de chaleur soit complètement fermée (réglage d'usine). Avant de faire fonctionner la valve, vous devez raccorder le tuyau de réfrigérant correspondant à l'unité source de chaleur et aux appareils intérieurs et effectuer un test afin de détecter les fuites éventuelles et de terminer le processus d'évacuation.
- ⑪ Utilisez toujours des matériaux de brasage inoxydables pour le brasage. Dans le cas contraire, le compresseur risquerait de devenir bloqué ou d'être endommagé.
- ⑫ Ne raccordez jamais les tuyaux de l'appareil extérieur lorsqu'il pleut.

### ⚠ Avertissement:

Lors de l'installation ou du déplacement de l'appareil, ne le remplissez pas d'un autre réfrigérant que le réfrigérant (R407C) indiqué sur l'appareil.

- En cas d'addition d'un autre réfrigérant, d'air ou de toute autre substance, il y aura une malfonction du cycle de réfrigération, ce qui risque de provoquer des dégâts.

### ⚠ Précaution:

- Utilisez une pompe à vide équipée d'une valve de contrôle de flux inverse. (Pour les modèles R407C)
  - Si la pompe à vide n'est pas équipée d'un tel dispositif, il se peut que l'huile de la pompe à vide reparte dans le cycle de réfrigérant et par conséquent entraîne la détérioration de l'huile réfrigérante et provoque des dégâts.

- **N'utilisez pas les outils indiqués ci-dessous, destinés aux réfrigérants traditionnels. (Pour les modèles R407C)**  
(Jauge collectrice, tuyau flexible de remplissage, détecteur de fuites de gaz, valve de contrôle, base de remplissage de réfrigérant, jauge à vide, équipements de récupération de réfrigérant)
  - Il se peut que l'huile réfrigérante se détériore à la suite du mélange d'un réfrigérant traditionnel à l'huile réfrigérante.
  - Il se peut que l'huile se détériore si de l'eau y est mélangée.
  - Le réfrigérant R407C ne contient pas de chlore. Par conséquent, les détecteurs de fuites de gaz conçus pour les réfrigérants traditionnels ne peuvent pas le détecter.
- **Faites très attention lors de l'utilisation d'outils. (Pour les modèles R407C)**
  - L'huile réfrigérante se détériorera si de la poussière, des impuretés ou de l'eau s'infiltrent dans le cycle réfrigérant.
- **N'utilisez jamais les tuyaux de réfrigérant déjà en place. (Pour les modèles R407C)**
  - La quantité importante de chlore contenue dans les réfrigérants traditionnels et l'huile réfrigérante des tuyaux actuels provoquera la détérioration du nouveau réfrigérant.

- **Gardez les tuyaux d'installation dans l'immeuble et laissez les deux extrémités des tuyaux couvertes jusqu'au moment du brasage.**
  - L'huile se détériorera et il est possible que le compresseur tombe en panne si de la poussière, des impuretés ou de l'eau s'infiltrent dans le cycle réfrigérant.
- **N'utilisez pas de cylindre de charge. (Pour les modèles R407C)**
  - Autrement le réfrigérant pourrait se détériorer.
- **Ne pas utiliser de détergeants spéciaux pour le nettoyage des tuyaux.**

## 7.2. Système de mise en place des tuyaux de réfrigérant

Exemples de raccordements

[Fig. 7.2.1] (P.3)

- |   |                               |
|---|-------------------------------|
| Ⓐ Tuyau à haute pression  | ⓑ Tuyau à basse pression      |
| Ⓒ Connexion de l'unité de la source de chaleur/du contrôleur BC |                               |
| Ⓓ Capacité totale des appareils intérieurs                      |                               |
| Ⓔ Tuyau de liquide  | Ⓕ Tuyau de gaz                |
| Ⓖ Numéro du modèle  |                               |
| Ⓐ Contrôleur BC   | ⓑ Appareil intérieur (20-140) |
| Ⓒ Appareil intérieur (200, 250)                                 |                               |

## 8. Charge supplémentaire de réfrigérant

À la sortie d'usine, l'unité de la source de chaleur contient déjà du réfrigérant. Étant donné que cette charge ne comprend pas la quantité nécessaire pour des longs tuyaux, une charge supplémentaire pour chaque ligne de réfrigérant devra être ajoutée sur place. Afin de pouvoir effectuer correctement les interventions techniques par la suite, toujours noter la taille et la longueur de chaque tuyau de réfrigérant ainsi que la quantité supplémentaire ajoutée dans l'espace prévu à cet effet sur l'appareil extérieur.

### 8.1. Calcul de la charge supplémentaire de réfrigérant

- Calculer la quantité de la charge supplémentaire en se basant sur la longueur d'extension et la taille des tuyaux de réfrigérant.
- Utiliser le tableau repris à droite comme guide pour calculer la charge de réfrigérant supplémentaire et la charge totale en fonction du système.
- Si les résultats des calculs représentent une fraction inférieure à 0,1 kg. Par exemple, si le résultat est 10,62 kg, arrondir le résultat à 10,7 kg.

<Charge supplémentaire>

Charge supplémentaire de réfrigérant (kg)	=	Longueur totale et taille du tuyau de liquide $\varnothing 19,05 \times 0,16$ (m) $\times 0,16$ (kg/m)	+	Longueur totale et taille du tuyau de liquide $\varnothing 9,52 \times 0,06$ (m) $\times 0,06$ (kg/m)	+	Longueur totale et taille du tuyau de liquide de $\varnothing 6,35 \times 0,024$ (m) $\times 0,024$ (kg/m)	+ $\alpha$
---	---	---	---	--	---	---	------------

<Exemple>

Intérieur 1: 40	A: $\varnothing 19,05$	40 m	a: $\varnothing 6,35$	10 m	} Dans les conditions ci-dessous:
2: 100	B: $\varnothing 9,52$	10 m	b: $\varnothing 9,52$	5 m	
3: 40	C: $\varnothing 9,52$	15 m	c: $\varnothing 6,35$	10 m	
4: 32			d: $\varnothing 6,35$	10 m	
5: 63			e: $\varnothing 9,52$	10 m	

La longueur totale de chaque tuyau de liquide est la suivante:

$\varnothing 19,05$ : A = 40 m  
 $\varnothing 9,52$ : B + b + e = 10 + 5 + 10 = 25 m  
 $\varnothing 6,35$ : a + c + d = 10 + 10 + 10 = 30 m

Dès lors,

<Exemple de calcul>

Charge de réfrigérant supplémentaire  
 =  $40 \times 0,16 + 25 \times 0,06 + 30 \times 0,024 + 2 = 10,7$  kg

Valeur de  $\alpha$

Capacité totale des appareils intérieurs raccordés	$\alpha$
Jusqu'au modèle 80	1,0 kg
Modèles 81 à 160	1,5 kg
Modèles 161 à 330	2,0 kg
Modèles 331 à 375	2,5 kg

### 8.2. Précautions à prendre lors du raccordement des tuyaux/du fonctionnement de la valve

- Raccorder correctement les conduits et vérifier le bon fonctionnement des vannes.
- Le raccord situé côté gaz est assemblé pour le transport.
  - ① Enlevez la connexion avec collerette de la valve à bille et brasez-la à l'extérieur de l'appareil.
  - ② Lors du retrait de la connexion avec collerette, retirez le joint d'étanchéité attaché au dos de cette feuille et collez-le sur la surface de la collerette de la valve à bille pour empêcher la poussière d'entrer dans la valve.

③ Lors de son envoi, le circuit de réfrigérant est obturé par une garniture d'étanchéité compacte et ronde pour éviter les fuites de gaz entre les collerettes. Étant donné qu'il n'est pas possible de l'utiliser dans cet état, remplacez la garniture avec la garniture creuse fixée à la connexion des tuyaux.

④ Avant de mettre en place la garniture creuse, essuyez les poussières déposées sur la surface de la collerette et de la garniture. Mettez de l'huile (Huile ester, éther ou alkylbenzène [petite quantité]) pour machines sur les deux surfaces de la garniture.

[Fig. 8.2.1] (P.3)

- Après l'évacuation et le remplissage de réfrigérant, assurez-vous que la manette est complètement ouverte. Si le système est utilisé alors que la valve est fermée, une pression anormale sera transmise au côté de haute ou de basse pression du circuit de réfrigérant, ce qui pourrait endommager le compresseur, la soupape à quatre voies, etc.
- Déterminez la quantité supplémentaire de réfrigérant à l'aide de la formule et ajoutez du réfrigérant supplémentaire par l'ouverture de service lorsque les travaux de raccordement des tuyaux sont terminés.
- Les travaux terminés, fermez correctement l'ouverture de service et serrez le capuchon pour éviter toute fuite de gaz.

[Fig. 8.2.2] (P.3)

<A> [Valve à bille (Côté basse pression)]

<B> [Valve à bille (Côté haute pression)]

(Ce croquis montre la valve lorsqu'elle est entièrement ouverte.)

- Ⓐ Tige de la valve  
[Entièrement fermée à la sortie d'usine, lors du raccordement des tuyaux, de l'écoulement et du remplissage du réfrigérant supplémentaire. Entièrement ouverte lorsque les travaux mentionnés ci-avant sont terminés.]
- Ⓑ Clavette d'arrêt [Empêche la tige de la valve de tourner de plus de 90°]
- Ⓒ Garniture (accessoire)
- Ⓓ Raccord (accessoire)  
[Utilisez la garniture et attachez fermement ce tuyau à la bride de la valve pour empêcher toute fuite de gaz. (Force de torsion: 25 N-m (250 kg-cm)). Appliquez une couche d'huile réfrigérante sur les deux surfaces de la garniture (Huile ester, éther ou alkylbenzène [petite quantité]).]
- Ⓔ Ouvert (Lentement)
- Ⓕ Capuchon, joint en cuivre  
[Capuchon et faites fonctionner la tige de la valve. Veuillez toujours remettre en place le capuchon après cette action. (Force de torsion du capuchon de la tige de la valve: 25 N-m (250 kg-cm) ou plus)]
- Ⓖ Ouverture de service  
[Pour l'écoulement et le remplissage du réfrigérant supplémentaire sur place. Ouvrez et fermez l'ouverture de service à l'aide d'une clé à double fonction. Veuillez toujours remettre en place le capuchon une fois l'opération terminée. (Force de torsion du capuchon de l'ouverture de service: 14 N-m (140 kg-cm) ou plus)]
- Ⓖ Ecou évasé  
[Force de torsion: 120 N-m (1200 kg-cm)  
Serrez et desserrez cet écrou à l'aide d'une clé à double fonction.  
Appliquez de l'huile réfrigérante sur la surface de contact de l'évasement (Huile ester, éther ou alkylbenzène [petite quantité]).]
- ①  $\varnothing 19,05$
- ②  $\varnothing 25,4$  (PQRY-P200)  
 $\varnothing 28,58$  (PQRY-P250)
- Ⓚ Tuyaux extérieurs  
[Brasez au raccord. (Utilisez une brasure inoxydable.)]
- Ⓛ Garniture pleine
- Ⓜ Garniture creuse

Force de torsion appropriée avec clé dynamométrique:

Diamètre extérieur du tuyau en cuivre (mm)	Force de torsion (N-m) / (kg-cm)
ø6,35	14 à 18 / 140 à 180
ø9,52	35 à 42 / 350 à 420
ø12,7	50 à 57,5 / 500 à 575
ø15,88	75 à 80 / 750 à 800
ø19,05	100 à 140 / 1000 à 1400

Angles de serrage:

Diamètre du tuyau (mm)	Angle de torsion (°)
ø6,35, ø9,52	60 à 90
ø12,7, ø15,88	30 à 60
ø19,05	20 à 35

[Fig. 8.2.3] (P.3)

Remarque:

Si vous n'avez pas de clé dynamométrique à votre disposition, utilisez la méthode suivante:

Lorsque vous serrez un écrou évasé à l'aide d'une clé, à un certain moment la force de torsion augmentera soudainement. Continuez de serrer l'écrou évasé du nombre de degrés indiqués dans le tableau ci-dessus.

### ⚠ Précaution:

- **Veillez toujours enlever le raccord de la valve à bille et brasez-le à l'extérieur de l'appareil.**  
- Si le raccord est brasé alors qu'il est toujours connecté, il se peut que la valve à bille se chauffe et par conséquent il y aura des risques de fuites de gaz ou autres problèmes. De plus, les tuyaux, etc., à l'intérieur de l'appareil pourraient brûler.
- **Appliquez une petite quantité d'huile ester, ether ou alkylbenzène sur les évasements et les connexions à brides.**

Procédure pour le test d'étanchéité à l'air	Restriction
<p>1. Pressurisation à l'azote</p> <p>(1) Après avoir effectué la pressurisation au niveau conçu (2,94 MPa) avec de l'azote, ne pas utiliser pendant 24 heures. Si la pression ne diminue pas, l'étanchéité à l'air est satisfaisante. Toutefois, si la pression diminue, effectuez une détection de "bulles" afin de localiser la fuite.</p> <p>(2) Après avoir effectué la pressurisation décrite ci-dessus, vaporisez un agent de barbotage (Kyuboflex, etc.) sur les connexions évasées, les pièces brasées, les brides et autres pièces susceptibles de fuir et voyez si des bulles apparaissent.</p> <p>(3) Le test d'étanchéité à l'air terminé, enlevez l'agent de barbotage.</p>	<ul style="list-style-type: none"> <li>• Les gaz inflammables et l'air (l'oxygène) peuvent s'enflammer ou exploser; ne les utilisez donc pas pour effectuer la pressurisation.</li> </ul>
<p>2. Pressurisation avec un gaz réfrigérant et de l'azote.</p> <p>(1) Pressurisation à une pression gazeuse d'environ 0,2 MPa. Pressuriser à la pression d'origine (2,94 MPa) à l'aide d'azote à l'état gazeux. Toutefois, n'effectuez pas toute la pressurisation d'un seul coup. Arrêtez pendant la pressurisation et vérifiez que la pression ne diminue pas.</p> <p>(2) Vérifiez que les connexions évasées, les pièces brasées, les brides et autres pièces ne laissent pas échapper de gaz en utilisant un détecteur de fuite électrique compatible avec le R407C.</p> <p>(3) Ce test peut être utilisé en même temps que le test de détection de fuites du type "barbotage".</p>	<ul style="list-style-type: none"> <li>• Utilisez uniquement le réfrigérant indiqué sur l'appareil.</li> <li>• Lorsqu'un gaz provenant d'un cylindre est utilisé pour effectuer l'étanchéité, celui-ci changera la composition du réfrigérant se trouvant dans le cylindre. (Pour les modèles R407C)</li> <li>• Utiliser un manomètre, un chargeur et autres instruments spécialement conçus pour le R407C. (Pour les modèles R407C)</li> <li>• Un détecteur électrique de fuites pour R22 ne peut pas détecter les fuites de R407C.</li> <li>• Ne pas utiliser de torche haloïde. (Ne peut détecter les fuites.)</li> </ul>

### ② Ecoulement

Lors de l'évacuation, fermez la vanne à bille de l'unité source de chaleur. A l'aide d'une pompe à vide, purgez le tuyau de raccordement ainsi que l'appareil intérieur par l'orifice de service monté sur la vanne à bille de l'unité de la source de chaleur. (Toujours évacuer à partir de l'orifice de service des tuyaux à haute et basse pression.) Lorsque le vide atteint les 650 Pa (abs), continuez l'écoulement pendant au moins une heure.

\* Ne purgez jamais l'air à l'aide d'un réfrigérant.

[Fig. 8.3.2] (P.3)

- Ⓐ Analyseur de système    Ⓑ Bouton Bas    Ⓒ Bouton Haut
- Ⓓ Valve à bille    Ⓔ Tuyau basse pression    Ⓕ Tuyau haute pression
- Ⓖ Ouverture de service    Ⓖ Joint à trois voies    Ⓖ Valve
- Ⓖ Valve    Ⓖ Cylindre    Ⓖ Balance
- Ⓜ Pompe à vide

Remarque:

- **Ajoutez toujours la quantité de réfrigérant adéquate. Etanchez toujours le système en utilisant du réfrigérant liquide. Trop ou trop peu de réfrigérant causera des problèmes.**
- **Utilisez la jauge collectrice, le tuyau flexible de remplissage et autres pièces indiqués sur l'appareil.**
- **Utilisez un gravimètre. (D'une précision de 0,1 kg.)**
- **Utilisez une pompe à vide équipée d'une valve de contrôle de flux inverse.**  
(Jauge à vide recommandée: jauge à vide Thermistor ROBINAIR 14830A)  
Utilisez également une jauge à vide pouvant atteindre 0,5 torrs ou plus au bout de cinq minutes.

### ③ Ajout du réfrigérant (Pour les modèles R407C)

Etant donné que le réfrigérant utilisé dans cet appareil est nonazéotropique, il doit être dans un état liquide lorsqu'il est ajouté. Par conséquent, lorsque le réfrigérant provient d'un cylindre et que ce cylindre n'a pas de siphon, mettez le

- L'huile réfrigérante se détériorera lorsque mélangée à une grande quantité d'huile minérale.

- **Ne pas utiliser de liquide de détection de fuite.**

## 8.3. Test d'étanchéité à l'air, évacuation et mise en place du réfrigérant

### ① Test d'étanchéité à l'air

Effectuez le test avec la soupape à bille de l'appareil extérieur fermée, et pressurisez les tuyaux de connexion ainsi que l'appareil intérieur à partir de l'ouverture de service située sur la soupape à bille de l'appareil extérieur. (Toujours pressuriser à partir des orifices de service des tuyaux à haute et basse pression.)

[Fig. 8.3.1] (P.3)

- Ⓐ Azote    Ⓑ Vers l'appareil intérieur    Ⓒ Analyseur de système
- Ⓓ Bouton Bas    Ⓔ Bouton Haut    Ⓕ Valve à bille
- Ⓖ Tuyau basse pression    Ⓖ Tuyau haute pression
- Ⓖ Unité de la source de chaleur    Ⓖ Ouverture de service

<Pour les modèles R407C>

Effectuez le test d'étanchéité à l'air de la même façon que pour les modèles R22. Toutefois, étant donné que les restrictions indiquées peuvent vous aider à éviter la détérioration de l'huile réfrigérante, veillez à toujours les respecter. De même, avec le réfrigérant non azéotropique (R407C, etc.), des fuites de gaz pourraient altérer la composition et affecter le rendement. Il est dès lors important d'effectuer soigneusement les tests d'étanchéité.

cylindre à l'envers pour transvaser le réfrigérant liquide comme l'indique le croquis ci-dessous. Si le cylindre a un siphon, comme le montre le croquis de droite, le réfrigérant liquide peut être transvasé tout en gardant le cylindre dans sa position droite. Par conséquent, tenez bien compte des spécifications du cylindre. S'il s'avérait nécessaire de mettre du gaz réfrigérant dans l'appareil, remplacez tout le réfrigérant avec le nouveau réfrigérant. N'utilisez pas le reste du réfrigérant se trouvant dans le cylindre.

[Fig. 8.3.3] (P.3)

## 8.4. Isolation thermique des tuyaux de réfrigérant

Veillez à bien isoler les tuyaux de réfrigérant en recouvrant les tuyaux à liquide et à gaz séparément avec du polyéthylène thermique suffisamment épais, de façon à ce qu'il n'y ait aucun joint entre l'appareil intérieur et le matériau isolant et entre les différents matériaux isolants. Une isolation insuffisante risque de provoquer des gouttes de condensation, etc. Faites particulièrement attention à l'isolation de l'entière du plafond.

[Fig. 8.4.1] (P.4)

- Ⓐ Fil d'acier    Ⓑ Tuyaux
- Ⓒ Mastic huileux à base d'asphalte ou asphalte
- Ⓓ Isolant thermique A    Ⓔ Couche extérieure B

Isolant thermique A	Fibre de verre + Fil d'acier	
	Adhésif + Mousse polyéthylène thermique + Ruban adhésif	
Couche extérieure B	Intérieur	Ruban vinyle
	Sol exposé	Chanvre étanche + Asphalte en bronze
	Extérieur	Chanvre étanche + Plaque de zinc + Peinture à l'huile

**Remarque:**

- Lors de l'utilisation d'un revêtement en polyéthylène, une couverture d'asphalte n'est pas nécessaire.
- Ne pas envelopper les fils électriques d'isolation thermique.

[Fig. 8.4.2] (P.4)

- Ⓐ Tuyau basse pression Ⓑ Tuyau basse pression Ⓒ Fil électrique
- Ⓓ Bande de finition Ⓔ Isolant

[Fig. 8.4.3] (P.4)

**Pénétrations**

[Fig. 8.4.4] (P.4)

- <A> Mur interne (caché) <B> Mur externe
- <C> Mur externe (exposé) <D> Sol (coupe-feu)

- <E> Cheminée des tuyaux du toit
- <F> Partie pénétrant dans le coupe-feu et le mur limite
- Ⓐ Manchon Ⓑ Isolant thermique Ⓒ Calorifuge
- Ⓓ Matériau de calfeutrage Ⓔ Bande
- Ⓕ Matériau hydrofuge Ⓖ Manchon avec bord Ⓗ Matériau calorifuge
- Ⓘ Mortier ou autre matériau de calfeutrage non combustible
- Ⓚ Matériau thermique non combustible

Lors du remplissage d'un espace avec du mortier, recouvrez la partie encastrée d'une plaque d'acier de sorte que l'isolant ne s'effondre pas. Pour cette partie, utilisez des matériaux ignifuges pour l'isolation et le revêtement. (Ne pas utiliser de revêtement en vinyle.)

**9. Câblage**

**9.1. Précaution**

- ① Respecter les réglementations gouvernementales pour les normes techniques concernant les installations électriques et le câblage et suivre les conseils de la compagnie d'électricité concernée.
- ② Les câbles de commandes (ci-après dénommé la ligne de transmission) seront éloignés (de 5 cm ou plus) des câbles de la source d'alimentation de sorte à ne pas être influencé par les interférences de l'alimentation. (Ne jamais introduire la ligne de transmission et les câbles d'alimentation dans la même gaine.)
- ③ Effectuez toujours les travaux adéquats de mise à la terre à l'unité source de chaleur.
- ④ Laisser une longueur de câble suffisante dans le boîtier des éléments électriques des appareils intérieurs et des appareils extérieurs car le boîtier doit parfois être retiré pour les interventions techniques.
- ⑤ Ne jamais raccorder la source d'alimentation principale au bloc terminal de la ligne de transmission car cela brûlerait les composants électriques.
- ⑥ Utiliser un câble blindé à deux fils comme ligne de transmission. Si les lignes de transmission des différents systèmes devaient être reliées par le même câble à fils multiples, la transmission et la réception seraient mauvaises ce qui conduirait à un fonctionnement erroné des appareils.
- ⑦ Seule la ligne de transmission indiquée doit être raccordée au bloc de terminaux pour la transmission de l'unité source de chaleur. (Ligne de transmission à raccorder à l'appareil intérieur: Bloc terminal TB3 pour la ligne de transmission, Autres: Bloc terminal TB7 pour une commande centralisée)  
Une mauvaise connexion empêchera le fonctionnement du système.
- ⑧ En cas de raccordement avec le contrôleur de classe supérieure ou de fonctionnement groupé de plusieurs systèmes de réfrigérant, une ligne de contrôle de transmission est nécessaire entre chacune des unités de source de chaleur. Connecter cette ligne de contrôle entre les blocs terminaux pour une commande centralisée. (Ligne à deux câbles non polarisés.)  
En cas de raccordement dans différents systèmes de réfrigérant sans passer par le contrôleur de classe supérieure, sur un des appareils extérieurs, déplaçer le cavalier du connecteur de court-circuit de CN41 à CN40.
- ⑨ La définition du groupe se fait par le biais de la commande à distance.
- ⑩ Les orifices à dégager non utilisés doivent être tenus fermés. L'ouverture des tuyaux de réfrigérant, des tuyaux d'eau, des câbles de la source d'alimentation et de transmission doivent être remplis de mastic ou autre matière similaire afin que la pluie ne puisse pénétrer le dispositif (construction en plein air).

**9.2. Boîtier de commande et emplacement pour le raccordement des câbles**

1. Raccordez la ligne de transmission de l'appareil intérieur au bloc de terminaux de la ligne de transmission (TB3) ou connectez les câbles entre les unités de source de chaleur ou les câbles du système de contrôle centralisé au bloc de terminaux (TB7) de la commande centrale.

**Exemple de système de fonctionnement relié à la terre avec plusieurs appareils extérieurs (Il est nécessaire d'utiliser des câbles blindés et de définir les adresses.)**

<Exemple de mise en place des câbles de transmission>

[Fig. 9.3.1] Commande à distance M-NET (P.4)

[Fig. 9.3.2] Commande à distance MA (P.4)

- Ⓐ Groupe 1 Ⓑ Groupe 3 Ⓒ Groupe 5 Ⓓ Câble blindé Ⓔ Commande à distance secondaire
- Entre ( ) : Adresse

Lors de l'utilisation de câbles blindés, raccordez la terre blindée de la ligne de transmission de l'appareil intérieur à la vis de terre (⊕) et connectez la terre blindée de la ligne reliant les unités de source de chaleur et la ligne de transmission du système de contrôle centralisé à la borne de blindage (S) du bloc de terminaux (TB7) de la commande centrale. En outre, en cas d'unités de source de chaleur dont le connecteur d'alimentation électrique CN41 a été remplacé par un connecteur CN40, la borne de blindage (S) du bloc de terminaux (TB7) du système de contrôle centralisé devrait également être reliée à la terre (⊕).

[Fig. 9.2.1] (P.4)

- Ⓐ Alimentation Ⓑ Ligne de transmission
2. Des plaques de montage pour les conduits (ø27) sont fournies. Faites passer le câble d'alimentation et les câbles de transmission par l'orifice à dégager approprié, puis enlevez la pièce superflue de l'orifice situé en bas du bloc de sorties et connectez les fils.
  3. Attachez le câble d'alimentation au bloc de sorties en utilisant le manchon pour la force de tension (Connexion PG ou similaire).

**9.3. Mise en place des câbles de transmission**

① Types de câbles de commande

1. Mise en place des câbles de transmission
  - Types de câbles de transmission: Fil blindé CVVS ou CPEVS
  - Diamètre des câbles: Supérieur à 1,25 mm<sup>2</sup>
  - Longueur maximum des câbles: 200 m

2. Câbles de la télécommande

Type de câble de télécommande	Câble à deux âmes (non blindé)
Diamètre du câble	0,3 à 1,25 mm <sup>2</sup>
Remarques	Pour une longueur supérieure à 10 m, utilisez un câble similaire au câble de la ligne de transmission (1).

② Exemples de câblage

- Nom du contrôleur, symbole et nombre de contrôleurs permis.

Nom	Symbole	Nombre de contrôleurs permis
Contrôleur de l'unité source de chaleur	OC	
Contrôleur BC	BC	Un contrôleur par OC
Contrôleur de l'appareil intérieur	IC	Deux à dix contrôleurs par OC
Commande à distance	RC	Maximum 2 par groupe

<Méthode de câblage et réglage des adresses>

- Utilisez toujours des câbles blindés pour effectuer les connexions entre l'unité source de chaleur (OC) et l'appareil intérieur (IC), ainsi que toutes les connexions et intervalles de câblage OC-OC et IC-IC.
  - Utilisez des câbles d'alimentation pour raccorder les terminaux M1 et M2 et la borne de terre du câble de transmission du bloc de terminaux (TB3) de chacune des unités de source de chaleur (OC) aux bornes M1, M2 et à la borne S des câbles de transmission du bloc de l'appareil intérieur (IC).
  - Raccorder les bornes 1 (M1) et 2 (M2) du bloc terminal des câbles de transmission de l'appareil intérieur (IC) qui possède l'adresse la plus récente au sein d'un même groupe au bloc terminal de la commande à distance (RC).
  - Raccordez les bornes M1, M2 et la borne S du bloc de terminaux pour le contrôle centralisé (TB7) sur l'unité source de chaleur (OC).
  - Ne changez l'emplacement du cavalier sur le panneau de commandes de CN41 à CN40 que sur une seule des unités source de chaleur.
  - Raccordez le terminal S du bloc de terminaux pour le contrôle centralisé (TB7) de l'unité source de chaleur (OC) à la borne de terre (⊕) du boîtier des composants électriques sur l'unité dont le cavalier a été placé dans la borne CN40.
  - Réglez les commutateurs d'adresses comme indiqué ci-dessous.
- \* Pour pouvoir régler l'adresse de l'unité source de chaleur sur 100, le commutateur d'adresse de la source de chaleur doit se trouver sur 50.

Appareil	Plage	Méthode de réglage
IC (maître)	01 à 50	Utiliser l'adresse la plus récente au sein du même groupe d'appareils intérieurs
IC (esclave)	01 à 50	Utiliser une adresse, autre que celle de l'IC maître parmi les unités d'un même groupe d'appareils intérieurs. Celle-ci doit se trouver en séquence avec celle de l'IC maître
Unité de la source de chaleur	51 à 100	Utiliser l'adresse la plus récente des appareils intérieurs dans le même système réfrigérant plus 50
Contrôleur d'embranchement	51 à 100	Adresse de l'unité source de chaleur plus 1
M-NET R/C (maître)	101 à 150	Régler l'adresse IC (principale) plus 100
M-NET R/C (esclave)	151 à 200	Régler l'adresse adresse IC (principale) plus 150
MA R/C	–	Réglage d'adresse inutile (Réglage principal/secondaire nécessaire)

- Les opérations de réglage groupé pour des appareils intérieurs multiples s'effectuent par le biais de la commande à distance (RC) après la mise sous tension.

<Longueurs permises>

#### ① Commande à distance M-NET

- Longueur maximum via les unités de source de chaleur:  $L_1+L_2+L_3+L_4$  et  $L_1+L_2+L_3+L_5$  et  $L_1+L_2+L_6+L_7 \leq 500$  m (1,25 mm<sup>2</sup> ou plus)
- Longueur maximum des câbles de transmission:  $L_1$  et  $L_3+L_4$  et  $L_3+L_5$  et  $L_6$  et  $L_2+L_6$  et  $L_7 \leq 200$  m (1,25 mm<sup>2</sup> ou plus)
- Longueur du câble de la commande à distance:  $\ell_1, \ell_2, \ell_3, \ell_4 \leq 10$  m (0,3 à 1,25 mm<sup>2</sup>)

Si la longueur dépasse 10 m, utiliser un câble blindé de 1,25 mm<sup>2</sup> de section. La longueur de cette section (L8) doit alors être prise en considération dans les calculs de longueur maximum et de longueur totale.

#### ② Commande à distance MA

- Longueur maximum via les appareils extérieurs (Câble M-NET):  $L_1+L_2+L_3+L_4$  et  $L_1+L_2+L_6+L_7 \leq 500$  m (1,25 mm<sup>2</sup> ou plus)
- Longueur maximum des câbles de transmission (Câble M-NET):  $L_1$  et  $L_3+L_4$  et  $L_6$  et  $L_2+L_6$  et  $L_7 \leq 200$  m (1,25 mm<sup>2</sup> ou plus)
- Longueur du câble de la commande à distance:  $m_1$  et  $m_1+m_2+m_3$  et  $m_1+m_2+m_3+m_4 \leq 200$  m (0,3 à 1,25 mm<sup>2</sup>)

## 9.4. Câblage de l'alimentation principale et capacité des équipements

Schéma du câblage (exemple)

[Fig. 9.4.1] (P.4)

- Ⓐ Coupe-circuit (pour fuites à la terre)
- Ⓑ Unité de la source de chaleur
- Ⓒ Contrôleur BC
- Ⓓ Boîtier de traction
- Ⓔ Appareil intérieur
- Ⓕ Disjoncteurs pour fuite de courant

Section des câbles pour l'alimentation principale et capacités On/Off

Modèle		Section minimum des câbles (mm <sup>2</sup> )			Commutateur (A)		Coupe-circuit pour le câblage (NFB)	Coupe-circuit pour les fuites de courant
		Câble principal	Embranchement	Terre	Capacité	Fusible		
Unité de la source de chaleur	P200	4,0	–	4,0	32	32	40 A	30 A à 100 mA 0,1 sec ou moins
	P250	6,0	–	6,0	40	40	40 A	40 A à 100 mA 0,1 sec ou moins
Contrôleur BC		1,5	1,5	1,5	16	16	20 A	20 A à 30 mA 0,1 sec ou moins
Appareil intérieur								

- Utilisez une alimentation séparée pour l'unité source de chaleur et l'appareil intérieur.
- Tenir compte des conditions climatiques (température ambiante, rayons solaires directs, eau pluviale, etc.) lors du câblage et du raccordement des appareils.
- Les dimensions des câbles représentent les dimensions minimales pour le câblage de conduits métalliques. Le cordon d'alimentation doit être une unité plus épais à cause des chutes de tension. Vérifier que la tension de l'alimentation ne diminue pas de plus de 10 %.
- En cas de câblages spécifiques, ceux-ci doivent respecter les lois en vigueur dans la région concernée.
- Les cordons d'alimentation électrique des éléments des appareils utilisés à l'extérieur seront au moins aussi lourds que les cordons souples blindés de polychloroprène (conception 245 IEC57).
- L'installateur du climatiseur vous fournira un interrupteur avec une séparation d'au moins 3 mm entre les contacts de chaque pôle.

#### ⚠ Avertissement:

- Toujours utiliser les câbles indiqués pour les connexions de sorte qu'aucune force externe ne s'applique aux bornes. Si les connexions ne sont pas effectuées correctement, il peut se produire une surchauffe, voir un incendie.
- Assurez-vous d'utiliser le correct interrupteur de protection contre la surintensité de courant. Veuillez noter que la surintensité de courant générée peut comprendre une certaine quantité de courant direct.

#### ⚠ Précaution:

- Certains sites d'installation peuvent demander l'application d'un coupe-circuit de fuite à la terre. Si ce coupe-circuit n'est pas installé, il peut y avoir danger d'électrocution.
- Ne jamais utiliser de coupe-circuits ou de fusibles autres que ceux possédant la valeur adéquate. L'utilisation de fusibles et de fils/fils en cuivre surdimensionnés risque de provoquer un mauvais fonctionnement de l'appareil, voir un incendie.

## 10. Essai de fonctionnement

### 10.1. Les phénomènes suivants ne constituent pas des problèmes (urgence)

Phénomène	Affichage de la télécommande	Cause
L'appareil intérieur et le contrôleur BC génèrent parfois des sons lors du passage refroidissement/chauffage	<b>Affichage normal</b>	Il ne s'agit pas d'un problème car il s'agit uniquement du bruit de la sélection.
L'appareil intérieur ne se met pas en mode refroidissement (chauffage).	<b>"Refroidissement (chauffage)" clignote</b>	Lorsque plusieurs appareils intérieurs (max. 3) sont raccordés à la même ramification du contrôleur BC, le chauffage (le refroidissement) ne peut pas se faire si un autre appareil intérieur fonctionne en mode de refroidissement (de chauffage).
L'ailette automatique ne s'arrête pas.	<b>Affichage normal</b>	Etant donné la façon dont fonctionne l'ailette automatique, il se peut qu'elle passe automatiquement de la position vers le bas en position horizontale durant le refroidissement si le ventilateur a soufflé vers le bas pendant une heure. Elle se met automatiquement en position horizontale pendant la décongélation, le réglage de la chaleur et si le thermostat est désactivé.
Le réglage du ventilateur change durant le chauffage.	<b>Affichage normal</b>	Le fonctionnement en vitesse très lente commence lorsque le thermostat est désactivé. Lorsque le ventilateur souffle doucement, il passe à la valeur temporelle ou à la température des tuyaux lorsque le thermostat est activé.
Le ventilateur s'arrête durant le mode chauffage.	<b>Affichage de décongélation</b>	Le ventilateur doit s'arrêter pendant la décongélation.
Le ventilateur ne s'arrête pas alors que la fonction est terminée.	<b>Eteint</b>	Le ventilateur continue de fonctionner pendant 1 minute après l'arrêt de l'appareil afin de se débarrasser de toute chaleur résiduelle (seulement en mode de chauffage).
Ventilateur non réglé alors que le SW de mise en marche est activé.	<b>Chauffage prêt</b>	Le ventilateur fonctionne à vitesse extrêmement réduite pendant les 5 minutes après l'activation du SW ou jusqu'à ce que la température des tuyaux atteigne 35 °C, il fonctionne lentement pendant les 2 minutes qui suivent puis il fonctionne selon le pré-réglage. (Commande de réglage de la chaleur.)
La mise sous tension seule ne permet pas à l'unité source de chaleur de fonctionner.	<b>Affichage normal</b>	Lorsque l'appareil extérieur se refroidit et que le réfrigérant ne circule plus, le mode de réchauffement fonctionne pendant 35 minutes afin de réchauffer le compresseur. Pendant ce temps seul le ventilateur fonctionne.
La télécommande de l'appareil intérieur affiche l'indicateur "HO" pendant environ deux minutes après la mise sous tension.	<b>"HO" clignote</b>	Le système est en train d'être mis en marche. Utilisez la télécommande lorsque "HO" a disparu de l'affichage.
La pompe de drainage ne s'arrête pas alors que l'appareil s'est arrêté.	<b>S'éteint</b>	Lorsque l'appareil s'arrête après le mode de refroidissement, il continue de faire fonctionner la pompe de drainage pendant 3 minutes avant de s'arrêter.
La pompe de drainage continue de fonctionner alors que l'appareil s'est arrêté.		La pompe de drainage continue de fonctionner si l'écoulement est nécessaire, même si l'appareil s'est arrêté.

# Contenido

1. Precauciones .....	31	7. Instalación de los tubos de refrigerante .....	34
1.1. Antes de la instalación y de las conexiones eléctricas .....	31	7.1. Cuidado .....	34
1.2. Precauciones para aparatos que utilizan refrigerante R407C .....	32	7.2. Sistema de tubos de refrigerante .....	35
1.3. Antes de la instalación .....	32	8. Carga adicional de refrigerante .....	35
1.4. Montaje eléctrico previo a la instalación .....	32	8.1. Cálculo de la carga adicional de refrigerante .....	35
1.5. Antes de iniciar el funcionamiento de prueba .....	32	8.2. Precauciones en la conexión de tubos/accionamiento de válvulas .....	35
2. Combinación con unidades interiores .....	33	8.3. Prueba de estanqueidad, vaciado y carga de refrigerante .....	36
3. Confirmación de las piezas incluidas .....	33	8.4. Aislamiento térmico de los tubos de refrigerante .....	36
4. Método de levantamiento .....	33	9. Cableado .....	37
5. Instalación de la unidad y espacio para el acceso del servicio técnico .....	33	9.1. Cuidado .....	37
5.1. Instalación .....	33	9.2. Caja de control y posición de conexión de los cables .....	37
5.2. Espacio para el acceso del servicio técnico .....	33	9.3. Tendido de cables de transmisión .....	37
6. Instalación de la tubería de agua .....	33	9.4. Cableado del suministro principal de energía y capacidad del equipo .....	38
6.1. Precauciones durante la instalación .....	33	10. Cómo realizar el test .....	39
6.2. Instalación del sistema de aislamiento .....	34	10.1. Las incidencias siguientes no suponen problemas (emergencia) .....	39
6.3. Tratamiento del agua y control de calidad del agua .....	34		
6.4. Sincronización de la bomba .....	34		

## 1. Precauciones

### 1.1. Antes de la instalación y de las conexiones eléctricas

- ▶ **Antes de instalar la unidad, asegúrese de haber leído el capítulo de "Precauciones".**
- ▶ **Las "Precauciones" señalan aspectos muy importantes sobre seguridad. Es importante que se cumplan todos.**

#### Símbolos utilizados en el texto





##### **Advertencia:**


Describe precauciones que deben tenerse en cuenta para evitar el riesgo de lesiones o muerte del usuario.

##### **Precaución:**

Describe precauciones que deben tenerse en cuenta para evitar el riesgo de dañar la unidad.

#### Símbolos utilizados en las ilustraciones

-  : Indica una acción que debe impedirse.
-  : Indica que deben seguirse unas instrucciones importantes.
-  : Indica una pieza que debe conectarse a tierra.
-  : Peligro de descarga eléctrica. (Este símbolo aparece en la etiqueta de la unidad principal.) <Color: amarillo>

-  **Advertencia:**  
**Lea atentamente las etiquetas adheridas a la unidad principal.**

##### **Advertencia:**

- **La instalación del aire acondicionado debe correr a cargo del distribuidor o de un técnico autorizado.**
  - Una instalación incorrecta realizada por el usuario puede provocar fugas de agua, descargas eléctricas o fuego.
- **Instale la unidad en un lugar resistente que pueda soportar su peso.**
  - Una resistencia inadecuada podría provocar la caída de la unidad provocando lesiones.
- **Utilice los cables especificados para la instalación eléctrica. Realice las conexiones asegurándose de que cualquier tracción de los cables no afectará a los terminales.**
  - La conexión y fijación inadecuadas pueden provocar calor y causar un incendio.
- **Prepare la zona contra la lluvia, la humedad y los terremotos e instale la unidad en el lugar especificado.**
  - La instalación inadecuada puede provocar que la unidad caiga y provoque lesiones.
- **Utilice siempre el filtro y el resto de accesorios especificados por Mitsubishi Electric.**
  - Solicite a un técnico autorizado que instale los accesorios. Una instalación incorrecta realizada por el usuario puede provocar fugas de agua, descargas eléctricas o fuego.

- **No repare nunca la unidad. Si la unidad requiere reparación, avise a su distribuidor.**
  - Si la unidad se repara incorrectamente, pueden producirse fugas de agua, descargas eléctricas o fuego.
- **Si hubiese alguna pérdida de gas refrigerante durante la instalación, ventile bien la habitación.**
  - Si el gas refrigerante entra en contacto con una llama se producirán gases tóxicos.
- **Instale el aire acondicionado según se indica en este manual de instalación.**
  - Si la unidad se instala de forma incorrecta, pueden producirse fugas de agua, descargas eléctricas o fuego.
- **Las conexiones eléctricas deberán ir a cargo de un electricista autorizado según las leyes y disposiciones legales vigentes, según este manual de instrucciones y siempre con un circuito especial dedicado.**
  - Si el amperaje de la fuente de alimentación es inadecuada o el tendido eléctrico es incorrecto, pueden producirse fugas de agua, descargas eléctricas o fuego.
- **Instale la tapa de terminales (panel) de la unidad exterior de forma segura.**
  - Si la tapa de terminales (panel) no se instala correctamente, pueden entrar polvo o agua en la unidad exterior provocando fuego o descargas eléctricas.
- **Cuando se instale o desplace el aire acondicionado a otro lugar, no lo cargue con un refrigerante distinto al especificado en la unidad (R407C).**
  - Si se mezcla un refrigerante distinto o aire con el refrigerante original, el ciclo de refrigeración funcionará mal y la unidad puede quedar dañada.
- **Si el aire acondicionado se instala en una habitación pequeña deberán tomarse medidas para prevenir que la concentración de refrigerante exceda los límites de seguridad incluso si hubiese fugas.**
  - Consulte al distribuidor respecto a las medidas adecuadas para evitar exceder los límites de seguridad. Si hubiese fuga de refrigerante y se excediese el límite de seguridad, puede haber peligro por pérdida de oxígeno en la habitación.
- **Cuando mueva o reinstale el acondicionador de aire, consulte con el distribuidor o con un técnico autorizado.**
  - Si el acondicionador de aire se instala incorrectamente, pueden producirse fugas de agua, descargas eléctricas o fuego.
- **Una vez finalizada la instalación asegúrese de que no hay fugas de gas.**
  - Si hay fugas de gas refrigerante y se exponen a un calefactor de aire, estufa, horno u otra fuente de calor, pueden producirse gases tóxicos.
- **No reconstruya ni cambie los ajustes de los dispositivos de protección.**
  - Si se cortocircuitan o manipulan con fuerza los interruptores de presión, térmico u otro sistema de protección o si se utilizan piezas distintas a las especificadas por Mitsubishi Electric, puede producirse fuego o explosión.
- **Consulte con su proveedor cuando desee deshacerse de este producto.**
- **Las personas responsables de la instalación y del sistema deberán garantizar la seguridad frente al riesgo de posibles fugas de acuerdo con la normativa local.**
  - Si no existiera una normativa local establecida, entonces deberían aplicarse los criterios adecuados a tal fin.
- **Debe prestar especial atención a la ubicación (por ejemplo un sótano o lugar de similares características) en lo que a contención del gas refrigerante se refiere ya que resulta más pesado que el aire.**

## 1.2. Precauciones para aparatos que utilizan refrigerante R407C

### ⚠ Precaución:

- **No utilice los tubos de refrigerante existentes.**
  - El refrigerante antiguo y el aceite refrigerante en los tubos existentes contienen una gran cantidad de cloro que puede deteriorar el aceite refrigerador de la unidad nueva.
- **Utilice tubos de refrigerante de cobre fosforoso desoxidado y tubos y tuberías sin costuras de aleación de cobre. Por otro lado, asegúrese de que tanto la superficie interna de los tubos como la externa estén limpias y no contengan ninguna sustancia que pueda resultar peligrosa como, por ejemplo, azufre, óxido, suciedad, polvo, restos de metal, aceites, humedad o cualquier otro elemento contaminante.**
  - Si entran sustancias contaminantes en el interior de los tubos de refrigerante, el aceite refrigerante residual se deteriorará.
- **Guarde las tuberías que va a utilizar durante la instalación interior con los dos extremos sellados hasta justo antes de la soldadura. (Guarde los codos y las demás juntas en una bolsa de plástico.)**
  - Si entra polvo, suciedad o agua en el ciclo del refrigerante, el aceite puede deteriorarse y pueden producirse problemas en el compresor.
- **Utilice aceite de éster, de éter o alquilobenceno (en pequeñas cantidades) para recubrir las conexiones abocinadas o bridadas.**
  - El aceite del refrigerante puede degradarse si se mezcla con una cantidad excesiva de aceite mineral.
- **Utilice líquido refrigerante para llenar el sistema.**
  - Si se utiliza gas refrigerante para sellar el sistema, cambiará la composición del refrigerante en el cilindro, disminuyendo así el rendimiento.
- **No utilice un refrigerante distinto al R407C.**
  - Si se utiliza otro refrigerante (R22, etc.), el cloro puede deteriorar el aceite refrigerador.
- **Utilice una bomba de vacío con una válvula de retención.**
  - El aceite de la bomba de vacío podría introducirse en el circuito del refrigerante y deteriorar el aceite refrigerador.
- **No emplee las herramientas siguientes, que se utilizan con los refrigerantes convencionales. (Manómetro distribuidor, manguera de carga, detector de fugas, válvula de retención, base de carga del refrigerante, equipo de recuperación del refrigerante)**
  - Si se mezcla refrigerante convencional o aceite refrigerador con el R407C, éste podría deteriorarse.
  - Si se mezcla agua con el R407C, el aceite refrigerador podría deteriorarse.
  - Los detectores de fugas de gas de los refrigerantes convencionales no reaccionan ante el R407C, porque éste no contiene cloro.
- **No utilice cilindros de carga**
  - El refrigerante podría estropearse.
- **Vaya con mucho cuidado al manejar las herramientas.**
  - Si entra polvo, suciedad o agua en el ciclo del refrigerante, el refrigerante puede deteriorarse.

## 1.3. Antes de la instalación

### ⚠ Precaución:

- **No instale la unidad en lugares donde puedan producirse fugas de gas.**
  - Si hay pérdidas de gas y éste se acumula alrededor de la unidad, podría producirse una explosión.
- **No utilice el aire acondicionado en lugares en los que se guarde comida, animales domésticos, plantas, instrumentos de precisión u obras de arte.**
  - Podrían deteriorarse.
- **No utilice el equipo de aire acondicionado en entornos especiales.**
  - Aceite, vapor, gas sulfúrico, etc. pueden reducir de forma considerable el rendimiento del aparato o deteriorar sus piezas.
- **Si instala la unidad en un hospital, una central de comunicaciones u otro lugar de características similares, proteja convenientemente el aparato para que no produzca ruido.**
  - El equipo inversor, los generadores, el equipo médico de alta frecuencia o el de emisión de radio pueden provocar que el aparato funcione de forma errónea o que no funcione. A su vez, el aire acondicionado puede incidir en dicho equipo creando ruido que distorsione el tratamiento médico o la transmisión de la imagen.
- **No instale la unidad sobre una estructura en la que puedan producirse fugas.**
  - Cuando la humedad de la habitación supera el 80 % o cuando la tubería de drenaje está obstruida, puede que la unidad interior gotee a causa de la condensación. En tal caso, drene las dos unidades conjuntamente como se indica.

## 1.4. Montaje eléctrico previo a la instalación

### ⚠ Precaución:

- **Conecte la unidad a tierra.**
  - No conecte la toma de tierra a tuberías de gas o agua, a un pararrayos o cables del teléfono que vayan por el suelo. Una toma a tierra incorrecta puede producir descargas eléctricas.
- **La fase inversa de las líneas L (L1, L2, L3) puede ser detectada (conductor del error: 4103), pero no puede detectarse la fase inversa de las Líneas L y la línea N.**
  - Podrían dañarse algunas piezas eléctricas cuando se suministre la corriente eléctrica en condiciones de tendido eléctrico defectuoso.
- **Instale el cable de alimentación de modo que no quede tenso.**
  - Si está tenso, el cable puede romperse o calentarse hasta producir un incendio.
- **Instale un interruptor para el circuito de fugas.**
  - Si no se instala, pueden producirse descargas eléctricas.
- **Utilice cables de alimentación de capacidad y gama de corriente adecuadas.**
  - Si los cables son demasiado pequeños, pueden producirse fugas o pueden recalentarse y causar un incendio.
- **Utilice un interruptor de circuito y un fusible exclusivamente de la capacidad indicada.**
  - Un fusible o un interruptor de circuito de mayor capacidad o uno de acero o cobre podría provocar una avería o un incendio en la unidad.
- **No lave las unidades de aire acondicionado con agua.**
  - Si lo hace, podría producirse una descarga eléctrica.
- **Compruebe que la plataforma de instalación no se haya deteriorado a causa de un uso prolongado.**
  - Si no se arregla, la unidad podría caerse y producir daños personales o materiales.
- **Instale las tuberías de drenaje como se indica en este Manual de instalación para asegurar un drenaje correcto. Forre las tuberías con un aislante térmico para evitar que se produzca condensación.**
  - Un drenaje incorrecto de las tuberías producirá escapes de agua que pueden dañar los muebles u otros bienes.
- **Tenga cuidado con el transporte del producto.**
  - No conviene que lo cargue una sola persona si el producto pesa más de 20 kg.
  - En algunos productos se utilizan cintas de polipropileno (PP) para el embalaje. No las utilice para transportar el producto, ya que resulta peligroso.
  - Al transportar la unidad de fuente de calor o dispositivo similar, debe sujetarla primero mediante 4 pernos de suspensión. Si la sujeta con tres pernos o menos, tendría inestabilidad y podría caerse.
- **Retire los materiales de embalaje de forma segura.**
  - Los materiales de embalaje como clavos y otras piezas metálicas o de madera pueden producir cortes u otras heridas.
  - Separe y retire las bolsas de embalaje de plástico para que los niños no jueguen con ellas y corran el riesgo de ahogarse.

## 1.5. Antes de iniciar el funcionamiento de prueba

### ⚠ Precaución:

- **Conecte la corriente al menos 12 horas antes de que empiece a funcionar el equipo.**
  - Si se acciona inmediatamente después de haberlo conectado a la corriente, pueden producirse daños graves en las piezas internas. Mantenga la unidad conectada a la corriente durante la temporada de funcionamiento.
- **No toque los enchufes con los dedos mojados.**
  - Si lo hace, puede producirse una descarga eléctrica.
- **No toque las tuberías de refrigerante durante el funcionamiento e inmediatamente después de éste.**
  - En esos momentos, las tuberías estarán frías o calientes, según la temperatura del refrigerante que pasa por ellas, el compresor y las demás piezas del circuito. Si toca las tuberías en tal estado, puede sufrir quemaduras o congelación en las manos.
- **No accione el equipo de aire acondicionado cuando se hayan extraído los paneles y las protecciones.**
  - Las piezas rotativas, calientes o con un alto voltaje podrían causar daños.
- **No desconecte la corriente inmediatamente después de parar el funcionamiento del equipo.**
  - Espere al menos cinco minutos antes de hacerlo, ya que podría producirse un escape de gas u otros problemas.
- **No toque la superficie del compresor durante el mantenimiento.**
  - Si conecta la unidad al suministro eléctrico pero no se pone en funcionamiento, el calentador del cárter del compresor estará en funcionamiento.



## 2. Combinación con unidades interiores

Modelo	PQRY-P200YEM-A		PQRY-P250YEM-A	
Nivel de ruido	51 dB <A>		52 dB <A>	
Peso neto	270 kg		280 kg	
Presión permitida	HP: 2,94 MPa, LP: 1,6 MPa			
Refrigerante	R407C: 7,5 kg		R407C: 8,5 kg	
Unidades interiores	Capacidad total	50 ~ 150 %		
	Modelo / Cantidad	20 ~ 200 / 1 ~ 15		
Temperatura de funcionamiento	Temperatura del agua: 10°C ~ 45°C Nota:1			

Note 1. Cuando la capacidad total de las unidades interiores supera el 130% de la capacidad de las unidades de fuente de calor, el margen de la temperatura de funcionamiento del agua de circulación será de 15°C ~ 45°C

## 3. Confirmación de las piezas incluidas

- ① Pernos de suspensión M12 × 4
- ② Tablero de montaje del cableado × 1
- ③ Tornillos M4 × 2
- ④ Tubo de conexión × 1 (El tubo de conexión está fijado a la unidad.)
- ⑤ Juntas (ø interior 23, ø exterior 35) × 1
- ⑥ Casquillo × 2

## 4. Método de levantamiento

[Fig. 4.0.1] (P.2)

### ⚠ Precaución:

**Tenga especial cuidado al transportar el producto.**

- Si la unidad pesa más de 20 kg no puede llevarla una sola persona.
- Para el empaquetado de varios productos juntos se suelen utilizar bandas de polipropileno (PP). No los utilice para transporte ya que son peligrosos.
- Separe y retire la bolsa de embalaje de plástico para que los niños no jueguen con ella y corran el riesgo de ahogarse.
- Cuando transporte la unidad térmica por los pernos de anillas, apóyela en cuatro puntos. Si sólo tiene tres puntos de apoyo o menos, será demasiado inestable y puede caerse.

## 5. Instalación de la unidad y espacio para el acceso del servicio técnico

### 5.1. Instalación

- Sujete bien la unidad a la base mediante los agujeros de fijación, según se indica a continuación.

[Fig. 5.1.1] (P.2)

- Ⓐ Unidad térmica
- Ⓑ 4- ø14 (Agujero de fijación)
- Ⓒ (Vista superior)

#### Base y almohadilla antivibración

- Instale la unidad en un lugar lo suficientemente resistente para aguantar el peso. Si la base es inestable, refuércela con una base de cemento.
- La unidad debe fijarse en una superficie plana. Utilice un nivel para comprobar que esté bien colocada.
- Las almohadillas antivibración deben colocarse debajo de la base de la unidad.
- Si la unidad está situada cerca de una habitación donde el ruido puede ser un problema, se recomienda colocar una plataforma antivibración en la base de la unidad.

[Fig. 5.1.2] (P.2)

- Ⓓ Almohadilla antivibración
- Ⓔ Base de cemento

### ⚠ Advertencia:

- **Asegúrese de instalar la unidad en un lugar lo suficientemente resistente para aguantar el peso.**  
**Cualquier escasez de resistencia puede provocar la caída de la unidad con riesgo de lesiones personales.**

## 6. Instalación de la tubería de agua

- Aunque las tuberías de la serie City Multi WR2 son similares a otras tuberías de aire acondicionado, es aconsejable tener en cuenta las siguientes observaciones al instalar el aparato.

### 6.1. Precauciones durante la instalación

- Utilice el método de tubería de retorno para asegurarse de que las tuberías aguantan bien cada unidad.
- Para facilitar el mantenimiento, la inspección y la sustitución de la unidad utilice las juntas, válvulas, etc. apropiadas en los puertos de admisión y salida de agua. Asimismo, asegúrese de instalar un purgador en el tubo de admisión de agua. (Para mantener la unidad térmica en buen estado, es necesario instalar un purgador en la entrada de agua circulante).
- \* En la siguiente ilustración encontrará un ejemplo de cómo instalar la unidad térmica.
- Deje un orificio de ventilación en la tubería de agua. Cuando se haya canalizado el agua por la tubería, abra el orificio de ventilación para eliminar el exceso de aire.

- **Procure que la instalación quede bien protegida contra los posibles terremotos.**  
**Cualquier deficiencia en la instalación puede provocar la caída de la unidad con riesgo de lesiones personales.**

### 5.2. Espacio para el acceso del servicio técnico

- Al instalar el aparato, asegúrese de dejar el espacio necesario para efectuar el mantenimiento y las reparaciones (todos los trabajos pueden realizarse desde la parte frontal).

[Fig. 5.2.1] (P.2)

- Ⓐ Espacio para los tubos (parte izquierda)
- Ⓑ Unidad térmica
- Ⓒ Espacio para el servicio técnico (parte frontal)
- Ⓓ (Vista superior)

[Fig. 5.2.2] (P.2)

- Ⓔ Espacio para los tubos (parte superior)
- Ⓕ Espacio para los tubos (parte izquierda)
- Ⓖ Unidad térmica
- Ⓗ (Vista frontal)

- En las secciones de baja temperatura de la unidad térmica se puede condensar el agua. Para drenarla, utilice un tubo de drenaje conectado a la válvula de drenaje de la base de la unidad.
- En el centro de la unidad, en la entrada de agua del intercambiador de calor, se encuentra un orificio de evacuación del agua muy útil para el mantenimiento.
- Asimismo, no permita que se moje ninguna de las piezas eléctricas (como la bobina de la válvula seleniodes o la fuente de suministro del compresor).
- Coloque una válvula de prevención del reflujo en la bomba y una junta flexible para evitar el exceso de vibraciones.
- Utilice un manguito para proteger las tuberías instaladas en la pared.
- Utilice arandelas metálicas para fijar las tuberías e instálaslas de forma que no corran el riesgo de romperse o doblarse.
- No confunda las válvulas de admisión y de salida de agua.
- Esta unidad no incluye ningún calefactor para evitar el congelamiento en el interior de los tubos. Cuando el flujo del agua se detenga en ambientes de baja temperatura, extraiga el agua de los tubos.

- Los orificios extractores que no utilice deben cerrarse y la abertura de los tubos de refrigerante, tubos de agua, fuente de energía y cables de transmisión deben rellenarse con masilla, etc. para evitar que penetre el agua de la lluvia. (construcciones de campo)

#### Ejemplo de instalación de unidad térmica (con las tuberías por la izquierda)

[Fig. 6.1.1] (P.2)

- |                                  |                      |
|----------------------------------|----------------------|
| Ⓐ Tubería de circulación de agua | Ⓑ Válvula de cierre  |
| Ⓒ Válvula de cierre              | Ⓓ Salida de agua     |
| Ⓔ Tubería de refrigerante        | Ⓕ Purgador tipo Y    |
| Ⓖ Entrada de agua                | Ⓗ Tubería de drenaje |

## 6.2. Instalación del sistema de aislamiento

Si la temperatura de circulación del agua se mantiene todo el año en un promedio de 30 °C en verano y 20 °C en invierno, no es necesario aislar o proteger las tuberías interiores de la serie City Multi WR2. Debe aislar las tuberías en los siguientes casos:

- Las tuberías exteriores.
- Las tuberías interiores en regiones especialmente frías donde se pueden congelar y causar problemas.
- Cuando el aire exterior puede provocar la condensación en las tuberías.
- Las tuberías de drenaje.

## 6.3. Tratamiento del agua y control de calidad del agua

Para mantener la calidad del agua, utilice la columna de refrigeración en modo cerrado para el WR2. Si la calidad del agua que circula es baja, el intercambiador de calor puede producir escamas que reducen la potencia de intercambio térmico y provocan la corrosión del intercambiador. Preste especial atención al tratamiento y control de calidad del agua cuando instale el sistema de circulación de aire.

- Retire los cuerpos extraños o impurezas que se encuentren en las tuberías. Durante la instalación, procure que los cuerpos extraños como fragmentos de soldaduras, sustancias selladoras u óxido no entren en las tuberías.
- Tratamiento de la calidad del agua

- ① En función de la calidad del agua fría utilizada para el aire acondicionado, la tubería de cobre del intercambiador de calor puede corroerse. Se recomienda hacer un seguimiento periódico de la calidad del agua.

Los sistemas de circulación de agua fría que emplean depósitos de almacenamiento de calor abiertos son especialmente propensos a la corrosión.

#### ② Estándares de la calidad del agua

Ítems		Valores estándar
Ítems estándar	PH (25°C)	7,0 ~ 8,0
	Conductividad eléctrica (25°C) (μs/cm)	300 o inferior
	Ion de cloro Cl <sup>-</sup> (mg/l)	50 o inferior
	Ion de sulfato SO <sub>4</sub> <sup>2-</sup> (mg/l)	50 o inferior
	Alcalinidad M CaCO <sub>3</sub> (mg/l)	50 o inferior
	Dureza total CaCO <sub>3</sub> (mg/l)	70 o inferior
Ítems de referencia	Hierro Fe (mg/l)	1,0 o inferior
	Ion de sulfuro S <sup>2-</sup> (mg/l)	No se ha detectado
	Ion de amonio NH <sub>4</sub> <sup>+</sup> (mg/l)	No se ha detectado
Nota: 2	Silicio SiO <sub>2</sub> (mg/l)	30 o inferior

Nota: 2 Se ha demostrado que el componente de los ítems de referencia es peligroso; no obstante, la relación correspondiente a la cantidad entre el contenido y el riesgo aún no ha sido clarificada. Por ello, estos ítems aparecen como ítems de referencia.

- ③ Consulte con un especialista en control de calidad del agua sobre los métodos de control y medición antes de optar por una solución anticorrosiva.

- ④ Cuando sustituya un aparato de aire acondicionado por otro (incluso en el caso de que reemplace sólo el intercambiador de calor), analice primero la calidad del agua y compruebe si hay indicios de corrosión.

En los sistemas de agua fría puede haber corrosión aunque no haya habido síntomas anteriormente.

Si el nivel de calidad del agua ha bajado, vuelva a ajustarlo antes de sustituir la unidad.

## 6.4. Sincronización de la bomba

La unidad térmica puede estropearse si se pone en funcionamiento sin que circule agua por las tuberías.

Debe sincronizar la puesta en marcha de la unidad y la bomba de agua. Para proceder a la interconexión (TB8-3, 4), utilice los bloques de terminales que se encuentran en la unidad. En el caso de que conecte el cable de interconexión de la bomba al TB8-3, 4, quite primero el cable de cortocircuito. Para evitar la detección equivocada de errores como resultado de una mala conexión en la válvula 63PW, utilice una corriente baja sostenida de 5 mA o inferior.

[Fig. 6.4.1] (P.2)

- Ⓐ Cable de cortocircuito (Conectado antes de ser enviado por el fabricante)
- Ⓑ Conexión del cable de interconexión de la bomba

## 7. Instalación de los tubos de refrigerante

La serie City Multi WR2 esta compuesta por un sistema de bifurcación en los extremos en el que las tuberías de refrigeración de la unidad exterior se bifurcan en el controlador BC y están conectadas a cada unidad interior.

El método de conexión adoptado es la conexión bridada para tuberías de baja presión y la conexión abocardada para tuberías de alta presión entre la unidad exterior y el controlador BC; y conexión abocardada entre el controlador BC y la unidad interior. La conexión por bronce soldadura se emplea en el conjunto de tuberías de junta y en el de bifurcación.

### ⚠ Advertencia:

**Tenga mucho cuidado de evitar cualquier pérdida de gas refrigerante (R407C) durante trabajos con fuego o llama. Si el gas refrigerante entra en contacto con la llama de cualquier fuente como una estufa de gas, se descompone y genera un gas tóxico que puede provocar envenenamiento. No realice nunca labores de soldadura en una habitación sin ventilación. Compruebe siempre las posibles fugas de gas después de la instalación de la tubería de refrigerante.**

### 7.1. Cuidado

- ① Utilice el material siguiente para los tubos de refrigeración.
  - Material: Utilice tubos de refrigerante de cobre fosforoso desoxidado. Asimismo, asegúrese de que las superficies interior y exterior de los tubos estén limpias y sin sulfuro, óxidos, polvo/suciedad, partículas de viruta, aceites, humedad o cualquier otro contaminante (Para los modelos R407C).
- ② Los tubos que pueden adquirirse en el comercio general contienen polvo y otros materiales. Límpielos siempre a fondo mediante soplado con gas seco inerte.
- ③ Evite que, durante la instalación, entre polvo, agua u otros contaminantes en los tubos.
- ④ Reduzca el número de codos al mínimo necesario y deje el radio de giro lo más grande posible.
- ⑤ Respete siempre las limitaciones del tubo de refrigerante (longitud máxima, diferencia entre alta y baja presión y diámetro del tubo). Si no se respetan el equipo puede fallar y el rendimiento de calefacción/refrigeración empeorará.

- ⑥ El City Multi WR2 Series se parará ante cualquier anomalía debida a una cantidad excesiva o insuficiente de refrigerante. Cuando suceda, cargue adecuadamente la unidad. En las revisiones o reparaciones, compruebe los datos concernientes a la longitud de tubo y a la carga adicional de refrigerante tanto en la tabla de cálculo de volumen de refrigerante en la parte trasera del panel de acceso al servicio técnico como en la sección de refrigerante adicional en las etiquetas para el número de unidades interiores combinadas.

#### ⑦ Utilice líquido refrigerante para llenar el sistema.

- ⑧ No utilice refrigerante para purgar el aire. Realice la evacuación con una bomba de vacío.

- ⑨ Aísle siempre los tubos correctamente. Un aislamiento insuficiente reducirá el rendimiento de calefacción/refrigeración, provocará el goteo de condensación y se producirán otros problemas similares.

- ⑩ Cuando conecte la tubería del refrigerante, asegúrese de que la válvula de bola de la unidad de fuente de calor esté completamente cerrada (ajuste de fábrica) y no la haga funcionar hasta que haya conectado la tubería del refrigerante para las unidades de fuente de calor e interior, haya realizado la prueba fugas de refrigerante y haya completado el proceso de evacuación.

- ⑪ Utilice siempre un material de soldadura no oxidante. Caso contrario podría producirse una obstrucción o dañarse la unidad compresora.

- ⑫ **No conecte tubos en la unidad exterior bajo la lluvia.**

### ⚠ Advertencia:

**Cuando instale y mueva la unidad, no la cargue con un refrigerante distinto al especificado en la unidad.**

- La mezcla con un refrigerante diferente, aire, etc. puede provocar un mal funcionamiento del ciclo de refrigeración produciendo graves daños.

### ⚠ Precaución:

- **Utilice una bomba de vacío con válvula de retención de flujo inverso. (Para los modelos R407C)**

- Si la bomba de vacío no tiene válvula de retención, el aceite de la válvula de vacío podría retornar al ciclo refrigerante y deteriorar el aceite refrigerante y provocar otros daños.

- **No utilice las herramientas mostradas abajo, que se utilizan para refrigerante convencional. (Para los modelos R407C) (Distribuidor, manguera de carga, detector de fugas, válvula de retención, base de carga de refrigerante, vacuómetro, equipo de recuperación del refrigerante)**
  - La mezcla de refrigerante convencional con aceite refrigerante puede provocar el deterioro del aceite refrigerante.
  - La mezcla de agua provocará el deterioro del aceite refrigerante.
  - El refrigerante R407C no contiene cloro. Por ello, los detectores de fugas de gas para refrigerantes convencionales no reaccionarán ante él.
- **Manipule las herramientas con más cuidado de lo normal. (Para los modelos R407C)**
  - Si entra polvo, suciedad o agua en el ciclo de refrigeración, el aceite refrigerante se estropeará.
- **No utilice tubos de refrigerante existentes. (Para los modelos R407C)**
  - La gran cantidad de cloro en los refrigerantes y en el aceite del refrigerador convencionales que puede haber en los tubos existentes deteriorarían el nuevo refrigerante.

- **Almacene los tubos que vaya a utilizar en la instalación interior manteniendo ambos extremos de los tubos sellados hasta justo antes de soldarlos.**
  - Si entrase polvo, suciedad o agua en el ciclo de refrigeración, el aceite se deteriorará y el compresor fallará.
- **No utilice cilindros de carga. (Para los modelos R407C)**
  - El refrigerante podría estropearse.
- **No utilice detergentes especiales para lavar las tuberías.**

## 7.2. Sistema de tubos de refrigerante

Ejemplos de conexión

[Fig. 7.2.1] (P.3)

- A) Tubería de alta presión
- B) Tubería de baja presión
- C) Conexión de la unidad de fuente de calor/controlador BC
- D) Capacidad total de unidades interiores
- E) Conducto de líquido
- F) Conducto de gas
- G) Número de modelo
- A) Controlador BC
- B) Unidad interior (20~140)
- C) Unidad interior (200, 250)

## 8. Carga adicional de refrigerante

En el momento del envío, la unidad de fuente de calor está cargada de refrigerante. Puesto que dicha carga no incluye la cantidad necesaria para tuberías alargadas, una vez instaladas las unidades, cada conducto de refrigeración recibirá una carga adicional. Para que en el futuro se puedan recargar correctamente, debe registrarse el tamaño y la longitud de los conductos de refrigeración y la cantidad de carga adicional escribiéndolo en el espacio previsto en la unidad exterior.

### 8.1. Cálculo de la carga adicional de refrigerante

- Calcule la cantidad de carga adicional basándose en la longitud de las tuberías y el tamaño del conducto de refrigeración.
- Use la tabla de la derecha como guía para calcular la cantidad de carga adicional y así cargar el sistema de acuerdo con ella.
- Si el resultado del cálculo corresponde a una fracción inferior a 0,1 kg. Por ejemplo, si el resultado es 10,62 kg, redondee a 10,7 kg.

<Carga adicional>

Carga adicional de refrigerante (kg)	=	Tamaño de la tubería de líquido Longitud total de $\phi 19,05 \times 0,16$ (m) $\times 0,16$ (kg/m)	+	Tamaño de la tubería de líquido Longitud total de $\phi 9,52 \times 0,06$ (m) $\times 0,06$ (kg/m)	+	Tamaño de la tubería de líquido Longitud total de $\phi 6,35 \times 0,024$ (m) $\times 0,024$ (kg/m)	+ $\alpha$
--------------------------------------	---	---	---	--	---	--	------------

<Ejemplo>

Interior 1: 40	A: $\phi 19,05$	40 m	a: $\phi 6,35$	10 m	} Según las condiciones mostradas más abajo:
2: 100	B: $\phi 9,52$	10 m	b: $\phi 9,52$	5 m	
3: 40	C: $\phi 9,52$	15 m	c: $\phi 6,35$	10 m	
4: 32			d: $\phi 6,35$	10 m	
5: 63			e: $\phi 9,52$	10 m	

La longitud total de cada conducto de líquido es el siguiente:

$\phi 19,05$ : A = 40 m  
 $\phi 9,52$ : B + b + e = 10 + 5 + 10 = 25 m  
 $\phi 6,35$ : a + c + d = 10 + 10 + 10 = 30 m

Por consiguiente,

<Ejemplo de cálculo>

Carga adicional de refrigerante  
 =  $40 \times 0,16 + 25 \times 0,06 + 30 \times 0,024 + 2 = 10,7$  kg

Valor de  $\alpha$

Capacidad total de unidades interiores conectables	$\alpha$
Hasta el modelo 80	1,0 kg
Modelos 81 a 160	1,5 kg
Modelos 161 a 330	2,0 kg
Modelos 331 a 375	2,5 kg

### 8.2. Precauciones en la conexión de tubos/ accionamiento de válvulas

- Guíe la conexión de la tubería y el funcionamiento de la válvula con precisión.
- El tubo de conexión del lado de gas viene ensamblado para su envío.
  - ① Para soldar al tubo de conexión con brida, extraiga el tubo con brida de la válvula de bola y suéldelo fuera de la unidad.
  - ② Cuando saque el tubo de conexión con brida, extraiga la protección adherida al dorso de esta hoja y péguelo en la superficie de la brida de la válvula de bola para evitar que entre polvo en la misma.

③ El circuito refrigerante se cierra con una junta redonda y de tipo terminal para evitar la fuga de gas entre bridas. Ya que de esta manera no puede funcionar nada, asegúrese de sustituir la junta de tope con la hueca de paso que se adjunta en la conexión del tubo.

④ Cuando se monte la junta hueca, elimine el polvo que pueda haber en la superficie de la brida y en la junta con un paño. Aplique en ambas superficies de la junta algo de aceite de máquina de refrigeración (Aceite de éster, de éter o alquilobenceno [en pequeñas proporciones]).

[Fig. 8.2.1] (P.3)

- Tras el vaciado y el llenado con refrigerante, asegúrese de que el grifo está totalmente abierto. Si se acciona con la válvula cerrada se producirá una presión anormal en el paso de alta o baja presión del circuito de refrigerante dañando el compresor, la válvula de 4 vías, etc.
- Determine la cantidad de carga refrigerante adicional necesaria mediante la fórmula y cargue el refrigerante adicional a través del puerto de servicio una vez realizadas todas las conexiones de tubos.
- Cuando finalice el trabajo, cierre bien el puerto de servicio para evitar cualquier fuga de gas.

[Fig. 8.2.2] (P.3)

<A> [Válvula de bola (lado de baja presión)]

<B> [Válvula de bola (lado de alta presión)]  
 (Esta figura muestra la válvula totalmente abierta.)

- A) Vástago de válvula  
[Totalmente cerrado de fábrica, cuando se conectan los tubos, cuando se vacían y cuando se carga refrigerante adicional. Ábrase totalmente una vez finalizadas las operaciones indicadas.]
- B) Pasador tope [Evita que el vástago de la válvula gire 90° o más.]
- C) Junta (accesorio)
- D) Tubo de conexión (accesorio)  
[Utilice la junta y fije bien este tubo en la brida de la válvula de forma que no haya fuga de gas. (Par de apriete: 25 N·m (250 kg·cm)) Unte las dos caras de la junta con aceite refrigerante (Aceite de éster, de éter o alquilobenceno [en pequeñas proporciones]).]
- E) Abra (Despacio)
- F) Tapón, junta de cobre  
[Extraiga el tapón y accione el vástago de la válvula. Reinstale siempre el tapón una vez finalizada la operación. (Par de apriete del vástago de la válvula: 25 N·m (250 kg·cm) o más)]
- G) Puerto de servicio  
[Utilice este puerto para vaciar el tubo de refrigerante y para añadir refrigerante adicional.  
Abra y cierre el puerto con una llave inglesa. Vuelva a colocar el tapón una vez finalizada la operación. (Par de apriete del tapón del puerto de servicio: 14 N·m (140 kg·cm) o más)]
- H) Tuerca de mariposa  
[Par de apriete: 120 N·m (1200 kg·cm)  
Afloje y apriete esta tuerca con una llave inglesa.  
Unte la cara de contacto de la tuerca con aceite refrigerante (Aceite de éster, de éter o alquilobenceno [en pequeñas proporciones]).]
- I)  $\phi 19,05$
- J)  $\phi 25,4$  (PQRY-P200)  
 $\phi 28,58$  (PQRY-P250)
- K) Tubos del tendido local  
[Deben soldarse al tubo de conexión. (Utilice siempre soldadura no oxidante).]
- L) Embalaje de empacquetamiento cerrado
- M) Junta hueca de paso

Pares de apriete adecuados para llave dinamométrica:

Diámetro exterior del tubo de cobre (mm)	Par de apriete (N·m) / (kg·cm)
ø6,35	14 a 18 / 140 a 180
ø9,52	35 a 42 / 350 a 420
ø12,7	50 a 57,5 / 500 a 575
ø15,88	75 a 80 / 750 a 800
ø19,05	100 a 140 / 1000 a 1400

Estándar de ángulo de apriete:

Diámetro de tubo (mm)	Ángulo de apriete (°)
ø6,35, ø9,52	60 a 90
ø12,7, ø15,88	30 a 60
ø19,05	20 a 35

[Fig. 8.2.3] (P.3)

Nota:

Si no se dispone de una llave dinamométrica, utilice el método siguiente como norma:

Quando apriete la tuerca de mariposa con una llave, alcanzará un punto en el que el par de apriete aumenta de forma brusca. Gire entonces la tuerca más allá de ese punto en el ángulo que muestra la tabla anterior.

### ⚠ Precaución:

- **Saque siempre el tubo de conexión de la válvula de bola y suéldela fuera de la unidad.**
  - Si se suelda el tubo de conexión instalado, el calor dañará la válvula de bola y puede provocar pérdidas de gas. También podrían quemarse los tubos, etc. dentro de la unidad.

- **Utilice aceite de éster, de éter o alquilbenceno (en pequeñas cantidades) para recubrir las conexiones abocinadas o bridadas. (Para los modelos R407C)**

- El aceite del refrigerante puede degradarse si se mezcla con una cantidad excesiva de aceite mineral.

- **No utilice un aditivo de detección de fugas.**

## 8.3. Prueba de estanqueidad, vaciado y carga de refrigerante

### ① Prueba de estanqueidad

La válvula de bola de la unidad exterior y presurice la tubería de conexión y la unidad interior a través del puerto de servicio que hay en la válvula de bola de la unidad exterior. (Presurice siempre desde los puertos de servicio de la tubería de alta presión y de la tubería de baja presión.)

[Fig. 8.3.1] (P.3)

- |                             |                            |
|-----------------------------|----------------------------|
| Ⓐ Nitrógeno                 | ⓑ Hacia la unidad interior |
| Ⓒ Analizador del sistema    | Ⓓ Grifo baja presión       |
| Ⓔ Grifo alta presión        | Ⓕ Válvula de bola          |
| Ⓖ Tubo de baja presión      | Ⓗ Tubo de alta presión     |
| Ⓙ Unidad de fuente de calor | Ⓚ Puerto de servicio       |

<Para los modelos R407C>

El método para realizar la prueba de estanqueidad es básicamente el mismo que en los modelos R22. Sin embargo, ya que hay normativas muy restrictivas respecto al deterioro de aceites refrigerantes, deberá observarlas siempre. Además, con refrigerantes no azeotrópicos (R407C, etc.) las fugas de gas provocan un cambio en la composición y afectan al rendimiento. Por ello, realice la prueba de estanqueidad con mucha precaución.

Procedimiento de prueba de estanqueidad	Restricciones
<p>1. Presurización del gas nitrógeno</p> <p>(1) Tras la presurización a la presión nominal (2,94 MPa) con gas nitrógeno, espere un día entero. Si la presión no baja el sistema es estanco (la estanqueidad es buena). No obstante, si la presión baja, ya que no se sabe dónde está el punto de fuga se deberá llevar a cabo el siguiente test de burbuja.</p> <p>(2) Tras la presurización arriba descrita, rocíe con un agente burbujeante (Kyuboflex, etc.) las zonas de ensamblaje por abocinado, las piezas soldadas, bridas y otras piezas que puedan tener pérdidas y compruebe visualmente si se produce un tal burbujeo.</p> <p>(3) Tras finalizar la prueba de estanqueidad, limpie el agente burbujeante.</p>	<ul style="list-style-type: none"> <li>• Si se utiliza un gas inflamable o aire (oxígeno) como gas de presurización, puede encenderse o explotar.</li> </ul>
<p>2. Presurización con gas refrigerante y gas nitrógeno</p> <p>(1) Presurice a una presión de gas de aproximadamente 0,2 MPa. Presurice hasta la presión nominal (2,94 MPa) con gas nitrógeno. Pero no lo haga de una sola vez. Pare durante la presurización y compruebe que la presión no baja.</p> <p>(2) Compruebe las fugas en uniones abocinadas, con brida, soldadas y otros lugares que puedan tener pérdidas, con un detector eléctrico de fugas compatible con R407C.</p> <p>(3) La prueba puede utilizarse conjuntamente con el test de fugas por medio de agente burbujeante.</p>	<ul style="list-style-type: none"> <li>• No utilice un refrigerante distinto al indicado en la unidad.</li> <li>• El sellado con gas de una bombona provocará el cambio de la composición del refrigerante de la bombona. (Para los modelos R407C)</li> <li>• Utilice un manómetro, caja de carga y otras piezas especialmente diseñadas para R407C. (Para los modelos R407C)</li> <li>• Un detector de fuga eléctrica para R22 no detecta las fugas de R407C.</li> <li>• No utilice un foco con lámpara de haluro. (No se detectarán las fugas.)</li> </ul>

### ② Vaciado

El vaciado debe realizarse con la válvula de bola de la unidad de fuente de calor cerrada y evacuar tanto el tubo conector como la unidad interior a través del puerto de servicio de la válvula de bola de la unidad de fuente de calor, usando una bomba de vacío. (Vacíe siempre desde el puerto de servicio del tubo de alta presión y del tubo de baja presión.) Cuando el vacío alcance 650 Pa [abs], continúe vaciando al menos durante uno hora o más.

\* No realice nunca un purgado de aire con refrigerante.

[Fig. 8.3.2] (P.3)

- |                          |                            |                        |
|--------------------------|----------------------------|------------------------|
| Ⓐ Analizador del sistema | ⓑ Grifo baja presión       | Ⓒ Grifo alta presión   |
| Ⓓ Válvula de bola        | Ⓔ Tubo de baja presión     | Ⓕ Tubo de alta presión |
| Ⓖ Puerto de servicio     | Ⓗ Pieza de unión de 3 vías |                        |
| Ⓙ Válvula                | Ⓚ Válvula                  | Ⓛ Bombona              |
| Ⓚ Balanza                | Ⓜ Bomba de vacío           |                        |

Nota:

- **Añada siempre la cantidad correcta de refrigerante. Selle también siempre el sistema con líquido refrigerante. Demasiado o demasiado poco refrigerante causará problemas.**
- **Utilice los distribuidores, las mangueras de carga y otras piezas para el refrigerante que se indican en la unidad.**
- **Utilice un gravímetro. (Con precisión de hasta 0,1 kg.)**
- **Utilice una bomba de vacío con válvula de retención de flujo invertido. (Para los modelos R407C)**  
(Vacuómetro recomendado: Vacuómetro con termistor ROBINAIR 14830A)  
Utilice un vacuómetro que alcance 0,5 Torr o más tras 5 minutos de funcionamiento.

### ③ Carga de refrigerante (Para los modelos R407C)

Ya que el refrigerante utilizado con la unidad no es azeotrópico, debe cargarse en estado líquido. Consecuentemente, cuando se cargue la unidad con el refrigerante de una bombona, si ésta no tiene un tubo de sifón deberá cargarse el líquido con la bombona invertida, como se muestra abajo. Si el cilindro tiene un tubo de sifón como la que se muestra a la derecha, el refrigerante podrá cargarse con la bombona derecha. Por ello deberá observar bien las especificaciones de la bombona. Si la unidad debe cargarse con gas refrigerante, sustituya todo el refrigerante por nuevo. No utilice el refrigerante restante en la bombona.

[Fig. 8.3.3] (P.3)

## 8.4. Aislamiento térmico de los tubos de refrigerante

Aísle bien los tubos de refrigerante cubriendo los tubos de líquido y gas por separado con polietileno termoresistentes de suficiente espesor y sin que quede ningún intersticio abierto en la junta entre unidad interior y material aislante ni entre los materiales aislantes entre ellos. Cuando el aislamiento es insuficiente puede haber condensación y goteo. Preste especial atención al aislamiento de los tubos que pasen por falsos techos.

[Fig. 8.4.1] (P.4)

- |                                       |                             |
|---------------------------------------|-----------------------------|
| Ⓐ Alambre de acero                    | ⓑ Tubo                      |
| Ⓒ Tela asfáltica oleaginosa o asfalto | Ⓓ Material de aislamiento A |
| Ⓔ Cobertura exterior B                |                             |

Material de aislamiento A	Fibra de vidrio + Malla de acero	
	Adhesivo + Espuma de polietileno termoresistente + Cinta adhesiva	
Cobertura exterior B	Interior	Cinta de vinilo
	Sobre suelo	Tela de cáñamo estanca + Asfalto bronce
	Exterior	Tela de cáñamo estanca + Placa de cinc + pintura oleaginosa

**Nota:**

- **Cuanto utilice un recubrimiento de polietileno no hace falta utilizar tela asfáltica.**
- **Los cables eléctricos no deben aislarse térmicamente.**

[Fig. 8.4.2] (P.4)

- Ⓐ Tubo de alta presión    Ⓑ Tubo de baja presión    Ⓒ Cable eléctrico
- Ⓓ Cinta aislante    Ⓔ Aislador

[Fig. 8.4.3] (P.4)

## 9. Cableado

### 9.1. Cuidado

- ① Siga las ordenanzas gubernamentales en cuanto a normas técnicas relacionadas con el equipo eléctrico, las regulaciones sobre cableado y las indicaciones de cada compañía eléctrica.
- ② El cableado para control (a partir de ahora denominado línea de transmisión) debe estar (5 cm o más) aparte del cableado de la fuente de energía de manera que no le afecte el ruido eléctrico del cableado de la fuente de energía (no intercale la línea de transmisión y el cable de la fuente de energía en el mismo conducto).
- ③ Asegúrese de dar el trabajo de tierra previsto para la unidad de fuente de calor.
- ④ Dé un cierto margen al cableado para la caja eléctrica de las unidades interior y exterior, ya que la caja es retirada a veces cuando se realiza el trabajo de mantenimiento.
- ⑤ No conecte nunca la fuente principal de energía al bloque de terminal de la línea de transmisión. Si está conectado, las piezas eléctricas se quemarán.
- ⑥ Use cable blindado de dos almas para la línea de transmisión. Si las líneas de transmisión de sistemas diferentes están conectados con los mismos cables de varias almas, la pobre transmisión y recepción resultante dará lugar a funciones erróneas.
- ⑦ Únicamente la línea de transmisión especificada debería ser conectada al bloque del terminal para la transmisión de la unidad de fuente de calor. (La línea de transmisión que debe conectarse con la unidad interior: El bloque de terminal TB3 para la línea de transmisión, Otro: El bloque de terminal TB7 para un control centralizado)  
Una conexión errónea no permite que el sistema funcione.
- ⑧ Si se conecta el controlador de gama alta o se efectúa un manejo en grupo en diferentes sistemas de refrigeración, es necesaria la línea de control para la transmisión entre cada una de las unidades de fuente de calor. Conecte esta línea de control entre los bloques de terminal para un control centralizado (línea de dos cables sin polaridad). Cuando se lleva a cabo un manejo en grupo en diferentes sistemas de refrigeración sin conectar al controlador de gama alta, cambie el inserto del conector de cortocircuito de CN41 de una unidad exterior a CN40.
- ⑨ El grupo se ajusta con el controlador remoto.
- ⑩ Los orificios extractores que no utilice deben cerrarse y la abertura de los tubos de refrigerante, tubos de agua, fuente de energía y cables de transmisión deben rellenarse con masilla, etc. para evitar que penetre el agua de la lluvia (construcciones de campo).

### Ejemplo de un sistema de funcionamiento en tierra con varias unidades exteriores (se requiere cable blindado y ajustes de dirección)

<Ejemplo de tendido de cables de transmisión>

[Fig. 9.3.1] Controlador remoto M-NET (P.4)

[Fig. 9.3.2] Controlador remoto MA (P.4)

- Ⓐ Grupo 1    Ⓑ Grupo 3    Ⓒ Grupo 5    Ⓓ Cable blindado    Ⓔ Controlador remoto subordinado
- ( ) Dirección

## Penetraciones

[Fig. 8.4.4] (P.4)

- <A> Pared interior (cerrada)    <B> Pared exterior
- <C> Pared exterior (expuesta)    <D> Suelo (anti-incendios)
- <E> Paso de tubo por techo
- <F> Porción penetrante en pared anti-incendio y de linde
- Ⓐ Manguito    Ⓑ Material termoaislante
- Ⓒ Encofrado    Ⓓ Material de calafateado
- Ⓔ Banda    Ⓕ Capa estanca
- Ⓖ Manguito con borde    Ⓖ Material de encofrado
- Ⓗ Mortero u otro encofrado incombustible
- Ⓙ Material termoaislante incombustible

Cuando se rellene un espacio con mortero debe cubrirse la parte de penetración con plancha metálica para que el material aislante no se destruya. Para ello utilice materiales incombustibles tanto para el aislamiento como para la cubierta. (No utilice recubrimiento de vinilo.)

### 9.2. Caja de control y posición de conexión de los cables

1. Conecte la línea de transmisión de la unidad interior al bloque de terminales de transmisión (TB3) o conecte el cableado entre las unidades de fuente de calor o el del sistema de control central al bloque de terminales del control central (TB7).  
Al utilizar un cable blindado, conecte la toma a tierra blindada de la línea de transmisión de la unidad interior al tornillo a tierra (Ⓙ) y conecte la toma a tierra blindada de la línea entre las unidades de fuente de calor y la línea de transmisión del sistema de control central al terminal blindado (S) del bloque de terminales del control central (TB7). Además, en el caso de las unidades de fuente de calor cuyo conector de alimentación CN41 se ha sustituido por el CN40, el terminal blindado (S) del bloque de terminales del sistema de control central (TB7) también debe conectarse a tierra (Ⓙ).

[Fig. 9.2.1] (P.4)

- Ⓐ Fuente de alimentación    Ⓑ Línea de transmisión

2. Se suministran las cajas de montaje de conducciones (ø27). Pase los cables de alimentación y de transmisión por los orificios troquelados adecuados, retire la pieza troquelada de la parte inferior de la caja de terminales y conecte los cables.
3. Asegure los cables de alimentación a la caja de terminales utilizando un manguito separador para la fuerza de tracción (conexión PG o similar).

### 9.3. Tendido de cables de transmisión

#### ① Tipos de cables de control

1. Cables de transmisión del cableado
  - Tipos de cables de transmisión: Cable blindado CVVS o CPEVS
  - Diámetro del cable: Más de 1,25 mm<sup>2</sup>
  - Longitud máxima del cable: Entre unos 200 m

#### 2. Cables del controlador remoto

Tipo de cable del controlador remoto	Cable bipolar (no blindado)
Diámetro del cable	0,3 to 1,25 mm <sup>2</sup>
Observaciones	Cuando pase de 10 m, utilice un cable con las mismas características que el de la línea de transmisión (1)

#### ② Ejemplos de cables

- Nombre de los controladores, símbolo y número de controladores conectables.

Nombre	Símbolo	Número de controladores permitido
Controlador de la unidad de fuente de calor	OC	
Controlador BC	BC	Un controlador por cada OC
Controlador de la unidad interior	IC	De 2 a 10 controladores por unidad interior cada OC
Controlador remoto	RC	Máximo dos por grupo

<Método de tendido de cables y ajustes de dirección>

- Asegúrese de usar cables blindados para efectuar la conexión entre la unidad de fuente de calor (OC) y la unidad interior (IC), entre OC y OC y entre IC y IC.
  - Emplee cables de alimentación para conectar los terminales M1 y M2 y el terminal de tierra del bloque de terminal del cable de transmisión (TB3) de cada unidad de fuente de calor (OC) a los terminales M1, M2 y S del bloque del cable de transmisión de la unidad interior (IC).
  - Conecte los terminales 1 (M1) y 2 (M2) del bloque de terminal del cable de transmisión de la unidad interior (IC) cuya dirección es la más reciente del mismo grupo, al bloque de terminal del controlador remoto (RC).
  - Conecte los terminales M1, M2 y S del bloque de terminal (TB7) para un control central de la unidad de fuente de calor (OC).
  - Cambie el conector de puente del tablero de control de CN41 a CN40 sólo para una unidad de fuente de calor.
  - Conecte el terminal S del bloque de terminal (TB7) para la unidad de fuente de calor (OC) en la cual el conector de puente se ha insertado en CN40 en el paso anterior al terminal de tierra de la caja del panel eléctrico.
  - Active el interruptor de ajuste de la dirección tal como se muestra más abajo.
- \* Para poner a 100 la dirección de la unidad de fuente de calor hay que poner la configuración de dicha dirección a 50.

Unidad	Campo	Cómo realizar los ajustes
IC (máster)	de 01 a 50	Ajuste la dirección más reciente del mismo grupo de unidades interiores (IC)
IC (subordinada)	de 01 a 50	Ajuste la dirección en el mismo grupo de unidades interiores (IC) que no sea el de IC (máster). IC (máster) debe ser secuencial
Unidad de fuente de calor	de 51 a 100	Ajuste la dirección más reciente de las unidades interiores en el mismo sistema de refrigeración + 50
Controlador de bifurcación	de 051 a 100	Dirección de la unidad de fuente de calor + 1
M-NET R/C (máster)	de 101 a 150	Ajuste la dirección IC (máster) + 100
M-NET R/C (subordinada)	de 151 a 200	Ajuste la dirección IC (máster) + 150
MA R/C	—	Configuración de dirección innecesaria (Imprescindible el ajuste en principal/subordinado)

- Ajuste diferentes unidades exteriores como un grupo del controlador remoto (RC) después de dar la corriente. Para más información, véase el manual de instalación del controlador remoto.

<Longitud permitida>

#### ① Controlador remoto M-NET

- Longitud mayor a través de las unidades de fuente de calor:  $L_1+L_2+L_3+L_4$  y  $L_1+L_2+L_3+L_5$  y  $L_1+L_2+L_6+L_7 \leq 500$  m (1,25 mm<sup>2</sup> o superior)
- Longitud mayor del cable de transmisión:  $L_1$  y  $L_3+L_4$  y  $L_3+L_5$  y  $L_6$  y  $L_2+L_6$  y  $L_7 \leq 200$  m (1,25 mm<sup>2</sup> o superior)
- Longitud del cable de controlador remoto:  $l_1, l_2, l_3, l_4 \leq 10$  m (0,3 a 1,25 mm<sup>2</sup>)  
Si la longitud es superior a 10 m, use un cable blindado de 1,25 mm<sup>2</sup>. La longitud de esta sección (L<sub>s</sub>) debería incluirse en longitud máxima de cálculo y la longitud total.

#### ② Controlador remoto MA

- Longitud mayor a través de las unidades exteriores (Cable M-NET):  $L_1+L_2+L_3+L_4$  y  $L_1+L_2+L_6+L_7 \leq 500$  m (1,25 mm<sup>2</sup> o superior)
- Longitud mayor del cable de transmisión (Cable M-NET):  $L_1$  y  $L_3+L_4$  y  $L_6$  y  $L_2+L_6$  y  $L_7 \leq 200$  m (1,25 mm<sup>2</sup> o superior)
- Longitud del cable de controlador remoto:  $m_1$  y  $m_1+m_2+m_3$  y  $m_1+m_2+m_3+m_4 \leq 200$  m (0,3 a 1,25 mm<sup>2</sup>)

## 9.4. Cableado del suministro principal de energía y capacidad del equipo

Dibujo esquemático del cableado (ejemplo)

[Fig. 9.4.1] (P.4)

- |  |                             |  |
|--|-----------------------------|--|
| Ⓐ Disyuntor de cable (disyuntor de fuga de tierra) | Ⓑ Unidad de fuente de calor | Ⓒ Controlador BC                       |
| Ⓓ Caja de derivación                               | Ⓔ Unidad interior           | Ⓕ Disyuntores para fugas de corrientes |

Grosor del cable para el suministro principal de energía y capacidades on/off

Modelo	Grosor mínimo del cable (mm <sup>2</sup> )			Interruptor (A)		Disyuntor para cableado (NFB)	Disyuntor para fuga de corriente
	Cable principal	Bifurcación	Toma de tierra	Capacidad	Fusibles		
Unidad de fuente de calor	P200	4,0	—	4,0	32	40 A	30 A 100 mA 0,1 segundos o menos
	P250	6,0	—	6,0	40	40 A	40 A 100 mA 0,1 segundos o menos
Controlador BC	1,5	1,5	1,5	16	16	20 A	20 A 30 mA 0,1 segundos o menos
Unidad interior							

- Utilice una fuente de alimentación principal diferente para la unidad de fuente de calor y unidad interior.
- Tenga en cuenta las condiciones ambientales (temperatura ambiente, luz solar directa, lluvia, etc.) cuando realice el tendido de cables y las conexiones.
- El tamaño del cable corresponde al valor mínimo para cables de conductos de metal. El cable de alimentación principal debe tener un tamaño más grande teniendo en cuenta las caídas de tensión. Asegúrese que la tensión de la alimentación principal no baje más del 10 %.
- Los requisitos específicos sobre el cableado deben adaptarse a las reglamentaciones locales.
- Los cables de alimentación principal de los componentes de aparatos destinados al uso en la intemperie no deben ser más livianos que el cable flexible con revestimiento de polioropreno (diseño 245 IEC57).
- Al instalar el acondicionador de aire, se debe proporcionar un interruptor con al menos 3 mm de separación de contacto en cada polo.

#### ⚠ Advertencia:

- Asegúrese de usar los cables especificados para realizar las conexiones de manera que actúa ninguna fuerza externa sobre las conexiones del terminal. Si las conexiones no están bien fijadas, se corre el riesgo de que se produzca calentamiento o un incendio.
- Asegúrese de escoger un interruptor de protección de sobrecarga adecuado. No olvide que la sobrecorriente generada puede contener pequeñas cantidades de corriente directa.

#### ⚠ Precaución:

- Algunas instalaciones están hechas en sitios que requieren un disyuntor de fuga de tierra. Si no se instala un disyuntor de fuga de tierra, puede producirse un electroshock.
- Use los fusibles y el disyuntor con la capacidad correcta. Si emplea un fusible o cable con demasiada capacidad puede haber una disfunción de la unidad o incluso puede producirse un incendio.

## 10. Cómo realizar el test

### 10.1. Las incidencias siguientes no suponen problemas (emergencia)

Incidencia	Pantalla del controlador remoto	Causa
Algunas veces la unidad interior y el controlador BC generan sonido en el cambio refrigeración/calefacción.	<b>Indicador normal</b>	Esto no es un problema ya que se trata sólo de un sonido de selección.
La unidad interior no realiza la función de refrigeración (calefacción).	<b>Parpadea el mensaje “refrigeración (calefacción)”</b>	Cuando se conecten unidades interiores múltiples (3 como máximo) a la misma rama del controlador BC, la función de calefacción (refrigeración) no podrá activarse cuando otra unidad interior esté utilizando la función de refrigeración (calefacción).
La lámina automática funciona sola.	<b>Pantalla normal</b>	A causa del funcionamiento de control de la lámina automática, cuando el flujo de aire lleva una hora funcionando hacia abajo durante el modo de refrigeración, puede que pase al modo de flujo horizontal. En la función de descongelación en el modo de calefacción, al ajustar el calor y al apagar el termostato, la lámina pasa automáticamente al modo de flujo horizontal.
La configuración del ventilador cambia durante la calefacción.	<b>Pantalla normal</b>	El funcionamiento a velocidad ultrabaja empieza con el termostato apagado. Con el termostato encendido, el modo de aire leve cambia automáticamente al valor prefijado por el tiempo o la temperatura de la tubería.
El ventilador se detiene durante el funcionamiento de la calefacción.	<b>Pantalla de descongelación</b>	El ventilador tiene que detenerse durante el modo de descongelación.
El ventilador no se para una vez detenido el funcionamiento.	<b>No se enciende</b>	Después de detenerse, el ventilador funcionará durante 1 minuto para agotar el calor residual (sólo en el modo de calefacción).
No se ha activado ninguna configuración del ventilador al activarse el SW.	<b>Calor a punto</b>	El funcionamiento a velocidad ultrabaja dura 5 minutos, una vez activado el SW, o bien hasta que la temperatura alcance los 35 °C; después pasa al funcionamiento a velocidad baja, que dura 2 minutos y finalmente empieza el punto configurado. (Control para regular el calor.)
Al encender el interruptor, la unidad de fuente de calor no funciona.	<b>Pantalla normal</b>	Cuando se enfría la unidad exterior y el refrigerante está en reposo, se lleva a cabo el funcionamiento de calentamiento durante al menos 35 minutos para calentar el compresor. Durante este tiempo sólo funciona el ventilador.
Al encender la unidad interior, el controlador remoto presenta el indicador “HO” durante unos dos minutos.	<b>Parpadea el mensaje “HO”</b>	El sistema se está encendiendo. Vuelva a accionar el controlador remoto cuando desaparezca el mensaje “HO”.
La bomba de drenaje no se detiene una vez detenida la unidad.	<b>Luz apagada</b>	Después de detenerse el funcionamiento de refrigeración, la bomba de drenaje de la unidad sigue funcionando durante tres minutos y después se para.
La bomba de drenaje sigue funcionando una vez detenida la unidad.		Si se genera drenaje, la unidad sigue accionando la bomba de drenaje incluso cuando está parada.

# Indice

1. Misure di sicurezza .....	40	7.1. Cautela .....	43
1.1. Prima dell'installazione e dell'esecuzione dei collegamenti elettrici .....	40	7.2. Sistema di tubazione del refrigerante .....	44
1.2. Precauzioni per le unità che usano il refrigerante R407C .....	41	8. Carica aggiuntiva di refrigerante .....	44
1.3. Prima di installare l'unità .....	41	8.1. Calcolo della carica aggiuntiva di refrigerante .....	44
1.4. Prima dell'installazione (trasporto) - collegamenti elettrici .....	41	8.2. Cautela per il collegamento della tubazione e per il funzionamento della valvola .....	44
1.5. Prima di iniziare la prova di funzionamento .....	41	8.3. Prova di tenuta d'aria, evacuazione e carica del refrigerante .....	45
2. Combinazione con sezioni interne .....	42	8.4. Isolamento termico della tubazione del refrigerante .....	46
3. Conferma delle parti attaccate .....	42	9. Cablaggio .....	46
4. Metodo di sollevamento .....	42	9.1. Cautela .....	46
5. Installazione dell'unità e spazio per gli interventi .....	42	9.2. Scatola di comando e posizione di collegamento dei cablaggi .....	46
5.1. Installazione .....	42	9.3. Cavi di trasmissione dei cablaggi .....	46
5.2. Spazio per gli interventi .....	42	9.4. Cablaggio di alimentazione principale e capacità dell'apparecchiatura .....	47
6. Installazione della tubazione idraulica .....	42	10. Prova di funzionamento .....	48
6.1. Norme di installazione .....	42	10.1. Le seguenti situazioni non sono rappresentative di un guasto .....	48
6.2. Installazione dell'isolamento .....	43		
6.3. Trattamento delle acque e controllo della qualità .....	43		
6.4. Asservimento della pompa .....	43		
7. Installazione della tubazione del refrigerante .....	43		

## 1. Misure di sicurezza

### 1.1. Prima dell'installazione e dell'esecuzione dei collegamenti elettrici

- ▶ Leggere attentamente la sezione "Misure di sicurezza" prima di far funzionare l'unità.
- ▶ La sezione "Misure di sicurezza" contiene informazioni importanti sulla sicurezza di funzionamento dell'unità. Accertarsi che vengano seguite perfettamente.

#### Simboli utilizzati nel testo


##### **Avvertenza:**

Descrive le precauzioni da prendere per evitare il rischio di lesioni, anche mortali, per l'utente.

##### **Cautela:**


Descrive le precauzioni da prendere per evitare il danneggiamento dell'unità.

#### Simboli utilizzati nelle illustrazioni

 : Indica un'azione da evitare.

 : Indica la necessità di rispettare un'istruzione importante.

 : Indica la necessità di collegare un componente a massa.

 : Attenzione alle scosse elettriche. (Questo simbolo è visualizzato sull'etichetta dell'unità principale.) <Colore: giallo>

##### **Avvertenza:**

**Leggere attentamente le etichette attaccate all'unità principale.**

##### **Avvertenza:**

- **Chiedere al distributore o ad una società autorizzata di installare l'unità.**
  - Se l'unità non è installata correttamente, vi è il rischio di perdite d'acqua, di scosse elettriche o di incendio.
- **Installare l'unità in un punto in grado di reggerne il peso.**
  - Se l'unità è montata su una struttura non adatta, vi è il rischio che cada con conseguenze anche gravi.
- **Utilizzare solo cavi specifici per i cablaggi. I collegamenti devono essere eseguiti in modo sicuro ed occorre evitare che i cavi siano troppo tesi rispetto ai raccordi terminali.**
  - Collegamenti non corretti ed un'installazione impropria possono creare un surriscaldamento con rischio di incendio.
- **Tenere in considerazione la pioggia, l'umidità e la possibilità di terremoti, installando l'unità in un posto appropriato.**
  - Se l'unità non viene installata correttamente, rischia di cadere causando danni o lesioni.
- **Utilizzare soltanto filtri e accessori indicati da Mitsubishi Electric.**
  - Chiedere al proprio distributore o ad una società autorizzata di installarli. Se questi non sono installati correttamente, vi è il rischio di perdite d'acqua, di scosse elettriche o di incendio.
- **Non riparare mai l'unità. Qualora debba essere riparata, consultare il proprio distributore.**
  - In caso di riparazione non effettuata correttamente, vi è il rischio di perdite d'acqua, di scosse elettriche o di incendio.

- **Ventilare la stanza se si verificano delle perdite di refrigerante durante l'installazione dell'unità.**
  - In caso di contatto del refrigerante con una fiamma, vi sarà il rilascio di gas velenosi.
- **Installare l'unità conformemente a quanto indicato nel manuale di installazione.**
  - In caso di installazione non effettuata correttamente, vi è il rischio di perdite d'acqua, di scosse elettriche o di incendio.
- **Tutti i lavori elettrici devono essere eseguiti da un elettricista esperto, nel pieno rispetto degli standard normativi locali sulle installazioni elettriche e sui circuiti interni, oltre che delle istruzioni contenute nel presente manuale. Le unità devono essere alimentate da una linea specifica.**
  - Linee di alimentazione con una capacità insufficiente o raccordate in modo inadatto possono causare scosse elettriche o un incendio.
- **Fissare saldamente il coperchio del blocco terminale della sezione esterna (pannello).**
  - Se il coperchio del blocco terminale (pannello) non è installato correttamente, può consentire l'entrata di polvere o acqua, con un conseguente rischio di scosse elettriche o incendio.
- **In caso di installazione o di spostamento del condizionatore in un altro luogo, non utilizzare un refrigerante diverso da quello (R407C) specificato per l'unità.**
  - Qualora venisse misciato un refrigerante diverso a quello originale, vi è il rischio di un cattivo funzionamento del circuito, con conseguenti danni all'unità.
- **Se il condizionatore d'aria viene installato in una stanza di piccole dimensioni, occorre adottare le misure necessarie per evitare la concentrazione di refrigerante al di là dei limiti di sicurezza, in caso di perdite.**
  - Per quanto riguarda queste misure, rivolgersi al proprio distributore. Nel caso in cui si verificano le perdite di refrigerante e vengano oltrepassati i limiti di concentrazione, possono verificarsi degli incidenti seri a seguito della mancanza di ossigeno nella stanza.
- **In caso di spostamento o di reinstallazione del condizionatore d'aria, consultare il proprio distributore o una società specializzata.**
  - In caso di installazione non effettuata correttamente, vi è il rischio di perdite d'acqua, di scosse elettriche o di incendio.
- **Una volta completata l'installazione, accertarsi che non vi siano perdite di refrigerante.**
  - In caso di perdite di gas e di contatto di queste con un riscaldatore, uno scaldino, un forno od un'altra sorgente elettrica, vi è il rischio di generazione di gas nocivi.
- **Non rimodellare o modificare le caratteristiche dei dispositivi di protezione.**
  - Se il pressostato, l'interruttore termico od un altro dispositivo di protezione viene messo in corto e fatto funzionare in modo non opportuno, o se vengono utilizzate parti diverse da quelle specificate dalla Mitsubishi Electric, vi è il rischio di incendio o esplosione.
- **Per eliminare questo prodotto, consultare il proprio concessionario.**
- **L'installatore e lo specialista del sistema adotteranno le misure di sicurezza destinate ad evitare le perdite conformemente ai regolamenti ed agli standard locali.**
  - In mancanza di regolamenti locali, saranno applicabili i seguenti standard.
- **Dedicare un'attenzione particolare al luogo di installazione, come la base di appoggio, ecc., in cui potrebbe esservi un accumulo di gas refrigerante, dato che questo è più pesante dell'aria.**



## 1.2. Precauzioni per le unità che usano il refrigerante R407C

### ⚠ Cautela:

- **Non usare l'esistente tubazione del refrigerante.**
  - Il vecchio liquido refrigerante e l'olio refrigerante presenti nella tubazione esistente contengono un'elevata quantità di cloro che può causare un deterioramento dell'olio della nuova unità.
- **Utilizzare tubazioni del refrigerante fatte di rame fosforoso disossidato nonché tubi e condutture in lega di rame senza saldature. Oltre a ciò, accertarsi che le superfici interne dei tubi siano perfettamente pulite e prive di tracce di zolfo, ossidi, polvere/sporcizia, trucioli, oli, umidità e qualsiasi altro agente contaminante.**
  - Gli agenti contaminanti all'interno della tubazione del refrigerante possono causare un deterioramento dell'olio refrigerante residuo.
- **Conservare la tubazione da usare per l'installazione all'interno e sigillare entrambe le estremità della tubazione sino al momento della saldatura. (Conservare i gomiti e gli altri giunti in un sacco di plastica.)**
  - In caso di ingresso di polvere, sporcizia o acqua nel circuito refrigerante, vi è il rischio di un deterioramento dell'olio e di un cattivo funzionamento del compressore.
- **Usare olio a base di esteri, olio a base di etere o alchilbenzene (in piccola quantità) per lubrificare i collegamenti a cartella ed a flangia.**
  - L'olio refrigerante subirà un deterioramento se mescolato con una grande quantità di olio minerale.
- **Riempire il sistema di liquido refrigerante.**
  - In caso di uso di gas refrigerante per sigillare il sistema, la composizione del refrigerante nel cilindro subirà una modifica ed il rendimento può diminuire notevolmente.
- **Utilizzare esclusivamente refrigerante di tipo R407C.**
  - In caso d'uso di un refrigerante di altro tipo (R22, ecc...), il cloro presente nel refrigerante può causare un deterioramento dell'olio.
- **Usare una pompa a vuoto con una valvola di controllo dell'inversione di flusso.**
  - L'olio della pompa a vuoto può fluire nel circuito refrigerante e causare un deterioramento dell'olio.
- **Non usare i seguenti attrezzi, utilizzati di solito con i refrigeranti convenzionali. (Raccordo del manometro, tubo flessibile di carica, rivelatore di perdite di gas, valvola di controllo del flusso invertito, base di carica del refrigerante, equipaggiamento di recupero di refrigerante.)**
  - Qualora il liquido refrigerante e l'olio refrigerante di tipo convenzionale venissero mischiati con l'R407C, l'olio refrigerante potrebbe deteriorarsi.
  - Qualora venisse mischiata dell'acqua all'R407C, l'olio refrigerante potrebbe deteriorarsi.
  - Poiché l'R407C non contiene cloro, i rivelatori di perdite di gas per refrigeranti convenzionali non saranno di alcuna utilità.
- **Non utilizzare una bombola di carica.**
  - L'uso di una bombola di carica può causare un deterioramento dell'olio refrigerante.
- **Usare gli attrezzi con grande precauzione.**
  - In caso di ingresso di polvere, sporcizia o acqua nel circuito refrigerante, il refrigerante rischia di deteriorarsi.

## 1.3. Prima di installare l'unità

### ⚠ Cautela:

- **Non installare l'unità in un luogo in cui potrebbero esservi perdite di gas.**
  - In caso di perdite di gas, questo potrebbe accumularsi all'attorno all'unità ed esplodere.
- **Non tenere generi alimentari, animali domestici, piante, strumenti di precisione od opere d'arte nella zona della portata d'aria del condizionatore.**
  - La qualità dei generi alimentari, ecc... potrebbe deteriorarsi.
- **Non usare il condizionatore in ambienti speciali.**
  - Gli oli, i vapori, i fumi solforici, ecc..., possono ridurre in modo significativo il rendimento dell'unità e danneggiare le sue parti interne.
- **Durante l'installazione dell'unità in un ospedale, in un centro di trasmissione o luogo simile, occorre prevedere una sufficiente protezione acustica.**
  - Il condizionatore d'aria può funzionare in modo errato o non funzionare del tutto se disturbato da un'apparecchiatura inverter, da un generatore elettrico ad uso privato, da un'apparecchiatura medica ad alta frequenza o da un equipaggiamento di comunicazione radio. Per converso, il condizionatore d'aria può influenzare negativamente il funzionamento di tali equipaggiamenti creando rumori in grado di disturbare il trattamento medico o la trasmissione di immagini.
- **Non installare l'unità su una struttura che potrebbe causare una perdita.**
  - Se l'umidità della stanza supera l'80 % o se il tubo di drenaggio è intasato, l'acqua può gocciolare dalla sezione interna. Effettuare quindi un drenaggio sia di questa che della sezione esterna se necessario.

## 1.4. Prima dell'installazione (trasporto) - collegamenti elettrici

### ⚠ Cautela:

- **Messa a terra dell'unità.**
  - Non collegare mai il filo di massa ad un tubo del gas, ad un tubo dell'acqua, ad un conduttore di illuminazione o ad un filo di messa a terra del telefono. Ciò può infatti creare scosse elettriche.
- **È possibile rivelare la fase di inversione delle linee L (L<sub>1</sub>, L<sub>2</sub>, L<sub>3</sub>) (Codice di anomalia: 4103), mentre non è possibile rivelare la fase di inversione delle linee L e della linea N.**
  - Alcune parti elettriche potrebbero risultare danneggiate dall'alimentazione del sistema durante la fase anomala.
- **Installare le linee di alimentazione in modo che i cavi non siano in tensione.**
  - La tensione potrebbe causare una rottura dei cavi, con la generazione di calore e il rischio di incendio.
- **Installare un interruttore del circuito, se necessario.**
  - In mancanza di un interruttore del circuito, vi è il rischio di scosse elettriche.
- **Utilizzare, per le linee di alimentazione, cavi standard con una capacità sufficiente.**
  - In caso contrario, vi è il rischio di perdite, di generazione di calore o di incendio.
- **Usare soltanto un interruttore del circuito e fusibili della capacità specificata.**
  - In presenza di un interruttore del circuito o di fusibili di capacità superiore, un cavo di acciaio o di rame può causare un guasto generale o un incendio.
- **Non lavare un condizionatore d'aria.**
  - Ciò potrebbe causare una scossa elettrica.
- **Accertarsi che la base di installazione non sia danneggiata dal lungo uso.**
  - Qualora non si provveda a rimediare a tale inconveniente, l'unità rischia di cadere e di causare danni o lesioni.
- **Installare la tubazione di drenaggio rispettando quanto raccomandato nel presente manuale di installazione, in modo da assicurare un corretto drenaggio. Avvolgere nastro isolante termico attorno ai tubi per evitare la formazione di condensa.**
  - Una tubazione di drenaggio non conforme può causare perdite d'acqua e danni ai mobili ed agli altri beni.
- **Stare molto attenti durante il trasporto dell'unità.**
  - Se il suo peso supera i 20 kg, essa non deve essere trasportata da una persona sola.
  - Alcune unità sono imballate con nastri PP. Evitare di usare tali nastri come mezzo di trasporto. Ciò può essere pericoloso.
  - Nel trasporto della sezione esterna, ecc., facendo uso di bulloni di fissaggio, sostenerla sui 4 punti indicati. Se viene sostenuta solo su 3 punti diventa instabile e rischia di cadere.
- **Accertarsi di eliminare in modo sicuro i materiali di imballaggio.**
  - I materiali di imballaggio, come ganci e parti metalliche o di legno, possono provocare ferite.
  - Rimuovere ed eliminare tutti i sacchetti di plastica in modo che i bambini non li usino per giocare. I giochi con i sacchetti di plastica sono molto pericolosi in quanto i bambini corrono il rischio di soffocamento.

## 1.5. Prima di iniziare la prova di funzionamento

### ⚠ Cautela:

- **Accendere l'interruttore di alimentazione principale almeno dodici ore prima dell'avvio dell'unità.**
  - Un immediato avvio dell'unità dopo l'accensione di questo interruttore può danneggiare le parti interne della stessa. Tenere acceso l'interruttore di alimentazione principale durante la stagione di funzionamento.
- **Non toccare alcun interruttore con le dita bagnate.**
  - Questo potrebbe causare una scossa elettrica.
- **Non toccare i tubi del refrigerante con le mani nude durante ed immediatamente dopo il funzionamento.**
  - Talvolta, questi tubi sono roventi o ghiacciati, in funzione delle condizioni del refrigerante, del compressore e degli altri componenti del circuito refrigerante. I tubi potrebbero in questo caso causare scottature o congelamento.
- **Prima di iniziare il funzionamento dell'unità, controllare che tutti i pannelli, e le protezioni siano installate correttamente.**
  - Le parti rotanti, roventi o ad alta tensione possono produrre conseguenze gravi.
- **Dopo aver arrestato l'unità, non spegnere immediatamente l'interruttore di alimentazione principale.**
  - Attendere almeno cinque minuti prima di spegnere l'interruttore, per evitare perdite d'acqua o il rischio di un guasto.
- **Non toccare la superficie del compressore durante la manutenzione.**
  - Quando l'unità è collegata all'alimentazione e non è funzionante, il riscaldatore del carter sul compressore è in funzione.

## 2. Combinazione con sezioni interne

Modello	PQRY-P200YEM-A	PQRY-P250YEM-A
Livello rumorosità	51 dB <A>	52 dB <A>
Peso netto	270 kg	280 kg
Pressione consentita	HP: 2,94 MPa, LP: 1,6 MPa	
Refrigerante	R407C: 7,5 kg	R407C: 8,5 kg
Sezioni interne	Capacità complessiva	50 ~ 150 %
	Modello / Quantità	20 ~ 200 / 1 ~ 15
Temperatura di funzionamento	Temperatura dell'acqua: 10°C ~ 45°C Nota 1.	

Nota 1. Se la capacità totale delle sezioni interne supera il 130% della capacità delle sezioni esterne, l'intervallo di temperatura operativo dell'acqua in circolazione è compreso fra 15°C e 45°C.

## 3. Conferma delle parti attaccate

- |   |  |                              |
|---|--|------------------------------|
| ① Bulloni di fissaggio M12 × 4  | ② Piastra di montaggio del conduttore × 1      | ③ Viti di maschiatura M4 × 2 |
| ④ Tubo di collegamento × 1 (Il tubo di collegamento è fissato all'unità.) | ⑤ Guarnizione (ø interno 23, ø esterno 35) × 1 |                              |
| ⑥ Boccole × 2   |  |                              |

## 4. Metodo di sollevamento

[Fig. 4.0.1] (P.2)

### ⚠ Cautela:

**Fare molta attenzione quando si trasporta il prodotto.**

- Evitare di far trasportare il prodotto da una sola persona se il suo peso supera i 20 kg.
- Per l'imballaggio di alcuni prodotti vengono utilizzati dei nastri in polipropilene. Evitare di usarli come mezzo di trasporto in quanto può essere pericoloso.
- Lacerare il sacchetto di plastica e farlo a pezzi, in modo che i bambini non possano utilizzarlo per giocare. Esiste altrimenti un rischio di soffocamento.
- Nel trasporto dell'unità termica, ecc., utilizzando i bulloni ad occhio, provvedere un sostegno su quattro punti. Omettendo il sostegno su uno o più punti, l'unità diviene instabile e può cadere al momento della sistemazione.

## 5. Installazione dell'unità e spazio per gli interventi

### 5.1. Installazione

- Per fissare l'unità alla base, avvitare a fondo i bulloni sui fori di ancoraggio indicati in figura.

[Fig. 5.1.1] (P.2)

- |                     |                           |
|---------------------|---------------------------|
| Ⓐ Unità termica     | Ⓔ 4-ø14 (foro ancoraggio) |
| Ⓒ (Vista dall'alto) |                           |

#### Basi e ammortizzatori

- Accertarsi di installare l'unità in posizione sufficientemente solida a sostenerne il peso; se la base fosse instabile, provvedere al rinforzo con calcestruzzo.
- L'unità va fissata su una superficie piana. Dopo l'installazione, procedere alla verifica con una livella.
- I cuscini ammortizzatori vanno disposti sotto la base dell'unità.
- Installando l'unità in prossimità di ambienti in cui il rumore può causare problemi, si consiglia di utilizzare un telaio antivibrato sulla base dell'unità.

[Fig. 5.1.2] (P.2)

- |                          |                        |
|--------------------------|------------------------|
| Ⓓ Cuscino ammortizzatore | Ⓕ Base in calcestruzzo |
|--------------------------|------------------------|

### ⚠ Avvertenze:

- **Accertarsi di installare l'unità su una superficie abbastanza resistente da sostenerne il peso, in modo da evitare che cada, con il rischio di lesioni personali.**
- **L'installazione va eseguita in modo da proteggere l'unità in caso di terremoto. Qualsiasi inaccuratezza può causare la caduta dell'unità, con rischi di lesioni personali.**

### 5.2. Spazio per gli interventi

- Dopo l'installazione, si prega di prevedere i seguenti spazi (tutti gli interventi possono essere eseguiti dalla parte anteriore dell'unità).

[Fig. 5.2.1] (P.2)

- |                                      |                     |
|--------------------------------------|---------------------|
| Ⓐ Spazio per la tubazione (sinistra) | Ⓔ Unità termica     |
| Ⓒ Spazio per interventi (anteriore)  | Ⓕ (Vista dall'alto) |

[Fig. 5.2.2] (P.2)

- |                                       |                                      |
|---------------------------------------|--------------------------------------|
| Ⓔ Spazio per la tubazione (superiore) | Ⓖ Spazio per la tubazione (sinistra) |
| Ⓒ Unità termica                       | Ⓗ (Vista frontale)                   |

## 6. Installazione della tubazione idraulica

- Le tubazioni dei modelli City Multi Serie WR2 sono simili alle normali tubazioni per il condizionamento dell'aria. Nel corso dell'installazione si prega, tuttavia, di osservare le norme indicate di seguito.

### 6.1. Norme di installazione

- Per garantire il corretto fissaggio delle tubazioni su ciascuna unità, impiegare il metodo di rotazione e controrotazione.
- A garanzia della semplicità di manutenzione, ispezione e sostituzione dell'unità, utilizzare giunti, valvole, ecc. debitamente dimensionati per l'ingresso e lo scarico dell'acqua. Accertarsi, inoltre, di montare un filtro sul tubo d'ingresso dell'acqua (per una corretta manutenzione dell'unità termica, è necessario applicare un filtro sull'ingresso dell'acqua in circolo).
  - \* Lo schema qui di seguito mostra un esempio di installazione dell'unità termica.
- Sulla tubazione idraulica prevedere un adeguato sfogo per l'aria. Successivamente all'ingresso di acqua nella tubazione, accertarsi di smaltire l'aria in eccesso.
- È possibile che, nelle sezioni a bassa pressione dell'unità termica, si formi dell'acqua compressa. Per il drenaggio, utilizzare un'apposita tubazione collegata alla valvola di drenaggio posta sulla base dell'unità.

- A scopo di manutenzione, ecc., nel centro del terminale di ingresso dell'acqua nello scambiatore di calore, al centro dell'unità, è presente uno sfianto.

Inoltre, fare in modo che qualsiasi parte elettrica dell'unità (come la bobina della valvola solenoide o la sezione di alimentazione del compressore) diventi umida.

- Per evitare vibrazioni eccessive, montare sulla pompa una valvola di non-ritorno ed un giunto flessibile.
- Nel passaggio attraverso i muri, utilizzare un manicotto per proteggere le tubazioni.
- Per fissare le tubazioni, utilizzare elementi in metallo; procedere al montaggio in modo da ottenere la massima protezione contro eventuali rotture o piegature.
- Non confondere le valvole di ingresso e di scarico.
- Questa unità non è dotata di alcun riscaldatore in grado di impedire il congelamento dell'acqua all'interno dei tubi. Quando il flusso d'acqua viene arrestato in un ambiente con bassa temperatura, eliminare l'acqua dai tubi.
- I fori sagomati non utilizzati devono essere chiusi; inoltre, le aperture relative alle tubazioni di refrigerante, ai tubi dell'acqua, alla linea di alimentazione e ai cavi di trasmissione devono essere riempite con mastice per evitare infiltrazioni di acqua (costruzione sul posto).

## Esempio di installazione dell'unità termica (con tubazione sinistra)

[Fig. 6.1.1] (P.2)

- |                          |                  |
|--------------------------|------------------|
| Ⓐ Tubazione idraulica    | Ⓑ Valvola chiusa |
| Ⓒ Valvola chiusa         | Ⓓ Scarico acqua  |
| Ⓔ Tubazione refrigerante | Ⓕ Filtro a Y     |
| Ⓖ Ingresso acqua         | Ⓗ Tubo drenaggio |

## 6.2. Installazione dell'isolamento

A condizione che la gamma di temperatura dell'acqua in circolo si mantenga su valori medi nel corso dell'anno (30°C in estate, 20°C in inverno), con le tubazioni dei modelli City Multi Serie WR2 non è necessario isolare, o proteggere in altro modo, le tubazioni interne. L'isolamento va impiegato nelle seguenti condizioni:

- Tubazioni esterne.
- Tubazioni interne in regioni a clima freddo, che può causarne il congelamento.
- Condensa sulle tubazioni dovuta all'aria proveniente dall'esterno.
- Tubazioni di drenaggio.

## 6.3. Trattamento delle acque e controllo della qualità

Per mantenere la qualità delle acque nella serie WR2, utilizzare torri di raffreddamento del tipo chiuso. In caso di scarsa qualità delle acque in circolo, è possibile che si formino incrostazioni sullo scambiatore di calore per l'acqua. Ciò porta ad una riduzione dell'efficacia nello scambio termico e a possibile presenza di ruggine nello scambiatore. Al momento dell'installazione dell'impianto di circolazione, si prega di prestare particolare attenzione al trattamento delle acque ed al controllo della qualità.

- Eliminazione di corpi estranei o impurità dalle tubazioni.  
Nel corso dell'installazione, prestare attenzione ad evitare l'ingresso di corpi estranei, quali frammenti di saldatura, particelle di sigillante o ruggine.
- Trattamento per la qualità dell'acqua
  - 1 Secondo la qualità dell'acqua fredda utilizzata all'interno del condizionatore, la tubazione in rame dello scambiatore di calore può essere soggetta a corrosione. Si consiglia di procedere al trattamento su basi regolari. Gli impianti ad acqua fredda con serbatoi presentano una particolare tendenza alla corrosione.

## ② Standard di qualità dell'acqua

Voci		Valori standard
Voci standard	pH (25°C)	7,0 ~ 8,0
	Conducibilità elettrica (25°C) (μs/cm)	300 o inferiore
	Ione cloruro Cl <sup>-</sup> (mg/l)	50 o inferiore
	Ione solfato SO <sub>4</sub> <sup>2-</sup> (mg/l)	50 o inferiore
	Alcalinità M CaCO <sub>3</sub> (mg/l)	50 o inferiore
	Durezza totale CaCO <sub>3</sub> (mg/l)	70 o inferiore
	Ferro Fe (mg/l)	1,0 o inferiore
Voci di riferimento	Ione solfuro S <sup>2-</sup> (mg/l)	Non rivelabile
	Ione ammonio NH <sub>4</sub> <sup>+</sup> (mg/l)	Non rivelabile
Nota 2.	Silice SiO <sub>2</sub> (mg/l)	30 o inferiore

Nota 2. È stato determinato con chiarezza che il componente delle voci di riferimento potrebbe essere pericoloso, comunque, la relazione quantitativa fra il contenuto e il rischio non è stata ancora chiarita. Di conseguenza vengono elencate come voci di riferimento.

- 3 Prima di impiegare ritrovati antiruggine per la qualità dell'acqua, si prega di richiedere informazioni sui relativi metodi e calcoli presso uno specialista.
- 4 Nella sostituzione di un apparecchio di condizionamento (anche in caso di sostituzione del solo scambiatore di calore), svolgere dapprima un'analisi sulla qualità dell'acqua e verificare le possibilità di corrosione. Negli impianti ad acqua fredda può prodursi ruggine anche senza alcun segno premonitore.  
In caso di peggioramento nella qualità dell'acqua, si prega di provvedere in maniera adeguata prima di sostituire l'unità.

## 6.4. Asservimento della pompa

Il funzionamento con tubazioni idrauliche vuote può danneggiare l'unità termica. Accertarsi dell'asservimento della pompa dell'acqua al momento dell'attivazione dell'unità. A tale scopo, utilizzare gli appositi terminali (TB8-3, 4) sull'unità. In caso di collegamento con segnale da circuito di asservimento su TB8-3, 4, eliminare il filo di cortocircuito. Per un corretto rilevamento degli errori che prescindono dalla qualità dei collegamenti, impiegare per la valvola di pressione 63PW una corrente di max. 5mA.

[Fig. 6.4.1] (P.2)

- Ⓐ Filo cortocircuito (Collegamento effettuato prima della consegna da parte del fabbricante)
- Ⓑ Collegamento circuito asservimento pompa

## 7. Installazione della tubazione del refrigerante

I modelli City Multi Serie WR2 costituiscono un sistema di diramazioni terminali in cui la tubazione del refrigerante proveniente dalla sezione esterna è diramata a livello del controllore BC e collegata a ciascuna sezione interna.

Il metodo di collegamento adattato è del tipo a flangia per il tubo di alta pressione fra la sezione esterna e il controllore BC, e del tipo a cartella fra il controllore BC e la sezione interna. Una connessione saldata viene impiegata per il tubo del giunto e il tubo di diramazione.

### ⚠ Avvertenza:

Usare la massima prudenza in modo da impedire fuoriuscite di gas refrigerante (R407C) durante l'uso di fuoco o fiamme. Qualora tale gas venga in contatto con una fiamma emessa da una sorgente qualsiasi, come ad esempio un forno a gas, si decompone e origina un gas velenoso che può causare un avvelenamento. Evitare quindi di effettuare operazioni di brasatura o saldatura in locali non ventilati e/o chiusi. Verificare sempre l'eventuale presenza di perdite di gas dopo aver completato il collegamento della tubazione del refrigerante.

### 7.1. Cautela

- 1 Utilizzare i seguenti materiali per la tubazione del refrigerante:
  - Materiale: Utilizzare tubazioni del refrigerante fatte di rame fosforoso disossidato. Inoltre, le superfici interne ed esterne dei tubi devono essere perfettamente pulite e prive di tracce di zolfo, ossidi, polvere/sporcizia, trucioli, olio, umidità o qualsiasi altro inquinante. (Per i modelli R407C)
- 2 I tubi disponibili in commercio contengono spesso polvere e altri materiali estranei. Eliminarli con un gas inerte asciutto.
- 3 Evitare l'ingresso di polvere, acqua o altri prodotti contaminanti nella tubazione durante l'installazione.
- 4 Ridurre al minimo il numero di sezioni curve e fare in modo che esse presentino il più elevato raggio possibile.
- 5 Osservare sempre le raccomandazioni tecniche relative alla tubazione del refrigerante (come, ad esempio, la lunghezza nominale, le differenze fra alte e basse pressioni, il diametro della tubazione). Il non rispetto di tali raccomandazioni può causare un guasto dell'impianto od una diminuzione della capacità di riscaldamento/raffreddamento del sistema.

6 I modelli delle Serie City Multi WR2 arresteranno il loro funzionamento a seguito della presenza nel sistema di una quantità eccessiva o insufficiente di liquido refrigerante. In un caso simile, caricare correttamente l'unità. Durante le operazioni di manutenzione, controllare le indicazioni relative alla lunghezza della tubazione ed alla quantità addizionale di refrigerante nel sistema, la tabella relativa al calcolo del volume di refrigerante sul retro del pannello di servizio, nonché la quantità addizionale di refrigerante sulle targhette delle sezioni interne combinate.

- 7 Riempire il sistema di liquido refrigerante.
- 8 Non usare mai liquido refrigerante per spurgare l'aria. Utilizzare sempre una pompa a vuoto.
- 9 Isolare sempre correttamente la tubazione. Un cattivo isolamento diminuirà la capacità di riscaldamento e raffreddamento, sarà alla base della formazione di gocce di condensa e di altri problemi.
- 10 Nel collegamento della tubazione di refrigerante, accertarsi che la valvola a sfera della sezione esterna sia completamente chiusa (installazione in fabbrica) e non azionarla fino a quando non sia stata collegata la tubazione di refrigerante delle sezioni interna ed esterna. Accertarsi anche di aver eseguito un test di fuoriuscita del refrigerante e di aver completato il processo di evacuazione.
- 11 Utilizzare sempre un metodo di saldatura non ossidante, per evitare un intasamento o un danneggiamento del compressore.
- 12 Non effettuare il collegamento della tubazione della sezione esterna mentre sta piovendo.

### ⚠ Avvertenza:

In caso di installazione o di spostamento del condizionatore in un altro luogo, non utilizzare un refrigerante diverso da quello (R407C) specificato per l'unità.

- Qualora venisse misciato un refrigerante diverso a quello originale, aria, ecc..., vi è il rischio di un cattivo funzionamento del circuito, con conseguenti danni all'unità.

### ⚠ Cautela:

- **Usare una pompa a vuoto con una valvola di controllo dell'inversione di flusso. (Per i modelli R407C)**
  - L'olio della pompa a vuoto può fluire nel circuito refrigerante e causare un deterioramento dell'olio od un cattivo funzionamento del sistema.
- **Non usare i seguenti attrezzi, utilizzati di solito con i refrigeranti convenzionali. (Per i modelli R407C)**

**(Raccordo del manometro, tubo flessibile di carica, rivelatore di perdite di gas, valvola di controllo del flusso invertito, base di carica del refrigerante, manometro del vuoto, equipaggiamento di recupero di refrigerante)**

  - Qualora il liquido refrigerante e l'olio refrigerante di tipo convenzionale venissero mischiati con l'R407C, l'olio refrigerante potrebbe deteriorarsi.
  - Qualora venisse mischiata dell'acqua all'R407C, l'olio refrigerante potrebbe deteriorarsi.
  - Poiché l'R407C non contiene cloro, i rivelatori di perdite di gas per refrigeranti convenzionali non saranno di alcuna utilità.
- **Usare gli attrezzi con grande precauzione. (Per i modelli R407C)**
  - In caso di ingresso di polvere, sporcizia o acqua nel circuito refrigerante, il refrigerante rischia di deteriorarsi.
- **Non usare l'esistente tubazione del refrigerante. (Per i modelli R407C)**
  - L'elevata quantità di cloro presente nel refrigerante convenzionale e nell'olio refrigerante causerà un deterioramento del nuovo refrigerante.

- **Conservare la tubazione da usare per l'installazione all'interno e sigillare entrambe le estremità della tubazione sino al momento della saldatura.**
  - In caso di ingresso di polvere, sporcizia o acqua nel circuito refrigerante, vi è il rischio di un deterioramento dell'olio e di un cattivo funzionamento del compressore.
- **Non utilizzare una bombola di carica. (Per i modelli R407C)**
  - L'uso di una bombola di carica può causare un deterioramento dell'olio refrigerante.
- **Non usare detersivi speciali per lavare le tubazioni.**

## 7.2. Sistema di tubazione del refrigerante

Esempi di collegamenti

[Fig. 7.2.1] (P.3)

- |  |  |
|--|--|
| <b>A</b> Tubo ad alta pressione                                | <b>B</b> Tubo a bassa pressione                |
| <b>C</b> Collegamento della sezione esterna/del controllore BC | <b>D</b> Capacità totale delle sezioni interne |
| <b>E</b> Linea del gas   | <b>F</b> Linea del liquido                     |
| <b>G</b> Controllore BC  | <b>H</b> Numero modello                        |
| <b>I</b> Sezione interna (200, 250)                            | <b>J</b> Sezione interna (20-140)              |

## 8. Carica addizionale di refrigerante

Al momento della spedizione, la sezione esterna viene caricata con il refrigerante. Questa carica non include la quantità necessaria per la tubazione supplementare, dovendosi quindi procedere a caricare delle quantità addizionali di refrigerante per ciascuna tubazione da eseguire localmente. Allo scopo di effettuare correttamente i futuri interventi di manutenzione, registrare sempre il diametro e la lunghezza di ciascuna linea del refrigerante, nonché la quantità addizionale di refrigerante caricato, annotandoli nell'apposito spazio sulla sezione esterna.

### 8.1. Calcolo della carica addizionale di refrigerante

- Calcolare la quantità addizionale di refrigerante sulla base della lunghezza del prolungamento della tubazione e sul diametro della linea del refrigerante.
- Utilizzare la tabella sulla destra come guida per calcolare la quantità addizionale di refrigerante e di versarla nel sistema.
- Quando dal calcolo risulta una frazione inferiore a 0,1 kg. Esempio: se il risultato è di 10,62 kg, arrotondare a 10,7 kg.

<Carica addizionale>

Carica addizionale di refrigerante (kg)	=	Diametro del tubo del liquido Lunghezza totale di $\phi 19,05 \times 0,16$ (m) $\times 0,16$ (kg/m)	+	Diametro del tubo del liquido Lunghezza totale di $\phi 9,52 \times 0,06$ (m) $\times 0,06$ (kg/m)	+	Diametro del tubo del liquido Lunghezza totale di $\phi 6,35 \times 0,024$ (m) $\times 0,024$ (kg/m)	+ $\alpha$
---	---	---	---	--	---	--	------------

<Esempio>

Interna 1: 40	A: $\phi 19,05$	40 m	a: $\phi 6,35$	10 m	} Alle condizioni di cui sotto:
2: 100	B: $\phi 9,52$	10 m	b: $\phi 9,52$	5 m	
3: 40	C: $\phi 9,52$	15 m	c: $\phi 6,35$	10 m	
4: 32			d: $\phi 6,35$	10 m	
5: 63			e: $\phi 9,52$	10 m	

La lunghezza totale di ciascuna linea del liquido è la seguente:

$\phi 19,05$ : A = 40 m  
 $\phi 9,52$ : B + b + e = 10 + 5 + 10 = 25 m  
 $\phi 6,35$ : a + c + d = 10 + 10 + 10 = 30 m

Pertanto,

<Esempio di calcolo>

Carica addizionale di refrigerante  
 =  $40 \times 0,16 + 25 \times 0,06 + 30 \times 0,024 + 2 = 10,7$  kg

Valore di  $\alpha$

Capacità totale delle sezioni interne collegate	$\alpha$
fino a 80 unità	1,0 kg
da 81 a 160 unità	1,5 kg
da 161 a 330 unità	2,0 kg
da 331 a 375 unità	2,5 kg

### 8.2. Cautele per il collegamento della tubazione e per il funzionamento della valvola

- Il collegamento delle tubazioni e il funzionamento della valvola vanno eseguiti accuratamente.
- Il lato gas del tubo di collegamento è stato montato al momento della spedizione.

- ① Per eseguire la saldatura del tubo di collegamento a flangia, rimuoverlo dalla valvola a sfera e saldarlo all'esterno dell'unità.
- ② Durante l'operazione di rimozione del tubo di collegamento a flangia, rimuovere la guarnizione attaccata sul retro e disporla sulla superficie a flangia della valvola a sfera, in modo da impedire l'ingresso di polvere nella valvola stessa.
- ③ Il circuito del refrigerante è protetto da una guarnizione rotonda e ermetica, montata al momento della spedizione dalla fabbrica, in modo da impedire le fuoriuscite di gas fra le flange. Poiché non è possibile eseguire alcuna operazione in questa situazione, accertarsi di sostituire questa guarnizione con la guarnizione cava attaccata alla connessione della tubazione.
- ④ Al momento di montare la guarnizione cava, eliminare la polvere depositata sulla superficie a flangia e sulla guarnizione stessa. Stendere olio per macchina refrigerante (Olio a base di esteri, olio a base di etere o alchilbenzene [in piccole quantità]) su entrambe le superfici della guarnizione.

[Fig. 8.2.1] (P.3)

- Dopo aver vuotato e caricato il refrigerante, accertarsi che la manopola sia completamente aperta. Qualora venga fatta funzionare l'unità con la valvola chiusa, si farà aumentare anormalmente la pressione sui lati dell'alta o bassa pressione del circuito del refrigerante, con un conseguente danneggiamento del compressore, della valvola a 4 vie e così via...
- Determinare la quantità addizionale di refrigerante necessaria usando la formula e caricarla nel sistema attraverso l'apertura di servizio, una volta effettuato il collegamento della tubazione.
- Non appena terminato il collegamento della tubazione, serrare saldamente il tappo dell'apertura di servizio per evitare fuoriuscite di gas.

[Fig. 8.2.2] (P.3)

<A> [Valvola a sfera (Lato a bassa pressione)]

<B> [Valvola a sfera (Lato ad alta pressione)]

(Questa figura rappresenta la valvola completamente aperta.)

**A** Stelo della valvola

[La valvola a sfera è completamente chiusa al momento della spedizione, durante i lavori di collegamento della tubazione, di svuotamento e di riempimento del refrigerante. Accertarsi di aprirla completamente una volta completato il lavoro di collegamento della tubazione.]

**B** Perno di arresto [Lo stelo della valvola non potrà ruotare per più di 90°.]

**C** Guarnizione (accessorio)

**D** Tubo di collegamento (accessorio)

[Installare la guarnizione (accessorio) sulla flangia della valvola in modo da impedire qualsiasi fuoriuscita di gas. (Coppia di serraggio 25 N-m (250 kg-cm)) Stendere su entrambe le superfici della guarnizione dell'olio per macchina refrigerante. (Olio a base di esteri, olio a base di etere o alchilbenzene [in piccole quantità].)]

**E** Aprire (Azionare lentamente)

**F** Guarnizione tappo di rame

[Rimuovere il tappo e far funzionare la valvola. Accertarsi di rimetterlo a posto una volta completato il collegamento della tubazione. (Coppia di serraggio del tappo della valvola: almeno 25 N-m (250 kg-cm))]

**G** Apertura di servizio

[Da utilizzare per lo svuotamento e il riempimento della tubazione di refrigerante locale.

Aprire e chiudere utilizzando due chiavi.

Accertarsi di rimettere il tappo una volta che è stato completato il collegamento della tubazione. (Coppia di serraggio del coperchio dell'apertura di servizio: almeno 14 N-m (140 kg-cm))]

- Ⓜ Dado a cartella  
[Coppia di serraggio: 120 N-m (1200 kg-cm).  
Usare due chiavi per aprire e chiudere.  
Stendere dell'olio per macchina refrigerante sulle superfici di contatto (Olio a base di esteri, olio a base di etere o alchilbenzene [in piccole quantità].)]
- Ⓜ ø19,05
- Ⓜ ø25,4 (PQRY-P200)  
ø28,58 (PQRY-P250)
- Ⓜ Tubazione da eseguire localmente  
[Saldare al tubo di collegamento. (Saldare utilizzando un metodo non ossidante.)]
- Ⓜ Guarnizione ermetica
- Ⓜ Guarnizione cava

Coppie di serraggio appropriate mediante una chiave torsiometrica:

Diametro esterno del tubo di rame (mm)	Coppia di serraggio (N-m) / (kg-cm)
ø6,35	fra 14 e 18 / fra 140 e 180
ø9,52	fra 35 e 42 / fra 350 e 420
ø12,7	fra 50 e 57,5 / fra 500 e 575
ø15,88	fra 75 e 80 / fra 750 e 800
ø19,05	fra 100 e 140 / fra 1000 e 1400

Valori dell'angolo di serraggio:

Diametro del tubo (mm)	Angolo di serraggio (°)
ø6,35, ø9,52	fra 60 e 90
ø12,7, ø15,88	fra 30 e 60
ø19,05	fra 20 e 35

[Fig. 8.2.3] (P.3)

**Nota:**

**Qualora non si disponga di una chiave torsiometrica, è possibile usare il seguente metodo per effettuare le misurazioni dei valori: Durante il serraggio di un dado a cartella con una chiave, si avvertirà un improvviso aumento della resistenza (coppia di serraggio) in un dato punto. Arrestare di stringere a questo punto e far ruotare il dado dei gradi indicati nella tabella di cui sopra.**

### ⚠ Cautela:

- **Accertarsi di rimuovere il tubo di collegamento dalla valvola a sfera e di saldarlo all'esterno dell'unità.**
  - Saldando il tubo di collegamento quando è ancora installato, si fa riscaldare la valvola a sfera, provocandone così un cattivo funzionamento con una fuoriuscita di gas. Ciò potrebbe inoltre bruciare i tubi, i fili, ecc... all'interno dell'unità.
- **Usare olio a base di esteri, olio a base di etere o alchilbenzene (in piccole quantità) per lubrificare i collegamenti a cartella ed a flangia. (Per i modelli R407C)**
  - L'olio refrigerante subirà un deterioramento se mescolato con una grande quantità di olio minerale.
- **Non utilizzare additivi rivelatori di perdite.**

## 8.3. Prova di tenuta d'aria, evacuazione e carica del refrigerante

### ① Prova di tenuta d'aria

Effettuare la prova con la valvola a sfera della sezione esterna chiusa ed applicare pressione sulla tubazione di collegamento e la sezione interna dall'apertura di servizio della valvola a sfera della sezione esterna. (Applicare sempre la pressione dalle aperture di servizio di entrambe le tubazioni di alta e bassa pressione.)

[Fig. 8.3.1] (P.3)

- |                              |                               |
|------------------------------|-------------------------------|
| Ⓐ Azoto                      | Ⓟ Verso la sezione interna    |
| Ⓒ Analizzatore del sistema   | Ⓡ Manopola di bassa pressione |
| Ⓔ Manopola di alta pressione | Ⓢ Valvola a sfera             |
| Ⓢ Tubo a bassa pressione     | Ⓣ Tubo ad alta pressione      |
| Ⓣ Sezione esterna            | Ⓤ Apertura di servizio        |

<Per i modelli R407C>

Il metodo per effettuare la prova di tenuta d'aria è praticamente lo stesso dei R22 modelli. Tuttavia, poiché il non rispetto delle raccomandazioni può avere un effetto diretto sul deterioramento dell'olio refrigerante, è opportuno osservarle. Inoltre, con refrigeranti non azeotropici (come R407C, ecc.), le perdite di gas ne modificano la composizione con una conseguente diminuzione del rendimento. Pertanto, eseguire la prova di tenuta d'aria con molta cautela.

Procedura di prova di tenuta d'aria	Restrizioni
<p>1. Pressurizzazione con azoto</p> <p>(1) Dopo aver pressurizzato sino al valore specificato (2,94 MPa) usando azoto, lasciar riposare durante un giorno. Se la pressione non cala, la tenuta d'aria è buona. Tuttavia, se la pressione diminuisce, poiché il punto di perdita non è conosciuto, sarà necessario effettuare anche il seguente test della bolla d'aria.</p> <p>(2) Dopo aver effettuato la pressurizzazione di cui sopra, spruzzare sopra le connessioni a cartella, le parti saldate, le flange e le altre parti che potrebbero perdere, un prodotto per la creazione di bollicine (Kyuboflex, ecc...) e controllare visivamente la presenza di bolle.</p> <p>(3) Una volta conclusa la prova di tenuta d'aria, eliminare detto prodotto.</p>	<ul style="list-style-type: none"> <li>• In caso di uso di un gas infiammabile o aria (ossigeno) come gas di pressurizzazione, questo può provocare un incendio o esplodere.</li> </ul>
<p>2. Pressurizzazione con gas refrigerante e azoto</p> <p>(1) Dopo aver pressurizzato a una pressione di circa 0,2 MPa, usare azoto per portare la pressione a 2,94 MPa. Tuttavia, non pressurizzare a questo valore in una sola volta. Fare delle soste durante la pressurizzazione e controllare che la pressione non scenda.</p> <p>(2) Controllare l'eventuale presenza di perdite di gas sulle connessioni a cartella, le parti saldate, le flange e le altre parti che potrebbero perdere durante l'uso di un rivelatore di perdite elettrico compatibile con R407C.</p> <p>(3) Questa prova può essere effettuata assieme alla prova di perdita del gas con le bollicine.</p>	<ul style="list-style-type: none"> <li>• Non usare un refrigerante diverso da quello specificato per l'unità.</li> <li>• Durante la sigillatura del sistema con gas da un cilindro, vi sarà una modifica della composizione del refrigerante presente nella bombola stessa. (Per i modelli R407C)</li> <li>• Usare un manometro, una scatola di caricamento ed altre parti adatte all'uso di R407C. (Per i modelli R407C)</li> <li>• Un rivelatore di perdite elettriche di R22 non può rilevare perdite di R407C.</li> <li>• Non usare una lampada a torcia aloide. (Non è possibile scoprire fessure.)</li> </ul>

### ② Evacuazione

Effettuare l'evacuazione con la valvola a sfera della sezione esterna chiusa. L'evacuazione sia della tubazione di collegamento che della sezione interna deve essere eseguita attraverso l'apertura di servizio presente sulla valvola a sfera della sezione esterna con la pompa da vuoto. (evacuare sempre sia dall'apertura di servizio della tubazione di alta pressione che dall'apertura di servizio della tubazione di bassa pressione.) Una volta che il vuoto ha raggiunto il valore di 650 Pa [abs], continuare l'evacuazione per almeno un'ora.  
\* Non spurgare mai l'aria usando refrigerante.

[Fig. 8.3.2] (P.3)

- |                              |                               |
|------------------------------|-------------------------------|
| Ⓐ Analizzatore del sistema   | Ⓟ Manopola di bassa pressione |
| Ⓒ Manopola di alta pressione | Ⓡ Valvola a sfera             |
| Ⓔ Tubo del liquido           | Ⓢ Tubo del gas                |
| Ⓢ Apertura di servizio       | Ⓣ Giunto a 3 vie              |
| Ⓣ Valvola                    | Ⓤ Valvola                     |
| Ⓤ Bombola                    | Ⓦ Scala                       |
| Ⓦ Pompa a vuoto              |                               |

**Nota:**

- **Accertarsi di usare la corretta quantità di refrigerante. Sigillare sempre il sistema con refrigerante liquido. Una quantità eccessiva o insufficiente di refrigerante causa dei problemi.**
- **Usare un raccordo del manometro, un tubo di carica ed altre parti per il refrigerante indicato sull'unità.**
- **Utilizzare un gravimetro di alta precisione, capace di misurare fino a 0,1 kg.**
- **Utilizzare una pompa a vuoto dotata di una valvola di controllo dell'inversione di flusso.**  
(Manometro del vuoto raccomandato: ROBINAIR 14830 A Manometro del vuoto con termistore)  
**Usare anche un manometro del vuoto capace di ottenere 0,5 Torr dopo un funzionamento di cinque minuti.**

### ③ Carica del refrigerante (Per i modelli R407C)

Poiché il refrigerante usato è non azeotropico, esso deve essere caricato allo stato liquido. In conseguenza, durante il caricamento dell'unità da una bombola, se questa non ha un tubo a sifone, il liquido deve essere caricato con la bombola capovolta, come indicato sotto. Se invece la bombola è dotata di un tubo a sifone, come quello indicato nella figura di destra, il refrigerante liquido può essere caricato con la bombola in posizione normale. Stare quindi molto attenti alle specifiche della bombola. Qualora l'unità debba essere caricata con gas refrigerante, sostituire tutto il refrigerante attuale con il nuovo. Non utilizzare il refrigerante che rimane nella bombola.

[Fig. 8.3.3] (P.3)

## 8.4. Isolamento termico della tubazione del refrigerante

Accertarsi di isolare la tubazione del refrigerante coprendo separatamente i tubi del liquido e del gas con materiale isolante a base di polietilene in quantità tale da non lasciare alcuno spazio vuoto fra questo e la sezione interna, e fra il materiale isolante stesso. Se l'isolamento non è stato effettuato correttamente, vi è il rischio di formazione di condensa, ecc.. Dedicare un'attenzione particolare al lavoro di isolamento della camera a pressione del soffitto.

[Fig. 8.4.1] (P.4)

- Ⓐ Filo di acciaio
- Ⓑ Tubazione
- Ⓒ Mastice oleoso asfaltico o asfalto
- Ⓓ Materiale isolante A
- Ⓔ Esterno B

Materiale isolante A	Fibra di vetro + Filo d'acciaio	
	Adesivo + Schiuma di polietilene resistente al calore + Nastro adesivo	
Materiale esterno B	Interno	Nastro in vinile
	Superficie scoperta	Straccio di canapa impermeabile + Asfalto e bronzo
	Esterno	Straccio di canapa impermeabile + Piastra di zinco + Vernice oleosa

## 9. Cablaggio

### 9.1. Cautela

- ① Seguire le norme nazionali relative agli standard tecnici degli equipaggiamenti elettrici, nonché i regolamenti sui cablaggi e le norme tecniche di ciascuna società fornitrice di energia elettrica.
- ② I cablaggi di comando (chiamati nel presente contesto linea di trasmissione) devono essere distanti di almeno 5 cm da qualsiasi sorgente elettrica, in modo da non essere influenzati dal rumore elettrico prodotto dalla stessa. (Evitare di inserire la linea di trasmissione e il cavo di alimentazione nello stesso conduttore.)
- ③ Accertarsi di effettuare la corretta messa a terra della sezione esterna.
- ④ Lasciare un pò di spazio per i cablaggi della scatola elettrica delle sezioni interne ed esterne, poiché la scatola stessa deve essere talvolta rimossa al momento dei lavori di manutenzione.
- ⑤ Non collegare mai la sorgente di alimentazione principale al blocco terminale della linea di trasmissione, per evitare un cortocircuito delle parti elettriche.
- ⑥ Utilizzare cavi schermati a 2 conduttori per la linea di trasmissione. Qualora vengano collegati allo stesso cavo a multiconduttori linee di trasmissione aventi caratteristiche diverse, si avrà come risultato un cattivo funzionamento della trasmissione e della ricezione dei segnali.
- ⑦ Solamente la linea di trasmissione possedente le specifiche indicate può essere collegata al blocco terminale per il comando della sezione esterna. (Linea di trasmissione da collegare alla sezione interna: Blocco terminale TB3 per la linea di trasmissione. Altre: Blocco terminale TB7 per controllo centralizzato.)  
Una connessione non corretta impedisce al sistema di funzionare regolarmente.
- ⑧ In caso di collegamento con un controllore della classe superiore o di esecuzione di operazioni di gruppo in diversi sistemi refrigeranti, occorre una linea di trasmissione fra ciascuna sezione esterna.  
Collegare questa linea di comando fra i blocchi terminali per il controllo centralizzato (linea a 2 cavi con assenza di polarità).  
Per effettuare operazioni di gruppo in diversi sistemi refrigeranti senza collegare un controllore della classe superiore, modificare l'inserimento del connettore di corto circuito di una sezione esterna da CN41 a CN40.
- ⑨ Il gruppo è impostato tramite il comando a distanza.
- ⑩ I fori sagomati non utilizzati devono essere chiusi; inoltre, le aperture relative alle tubazioni di refrigerante, ai tubi dell'acqua, alla linea di alimentazione e ai cavi di trasmissione devono essere riempite con mastice per evitare infiltrazioni di acqua (costruzione sul posto).

Nota:

- Quando viene utilizzata schiuma di polietilene come materiale di copertura, non è necessario creare uno strato di asfalto.
- Non occorre effettuare alcun isolamento termico dei fili elettrici.

[Fig. 8.4.2] (P.4)

- Ⓐ Tubo ad alta pressione
- Ⓑ Tubo a bassa pressione
- Ⓒ Filo elettrico
- Ⓓ Nastro di finitura
- Ⓔ Materiale isolante

[Fig. 8.4.3] (P.4)

### Penetrazione del tubo

[Fig. 8.4.4] (P.4)

- <A> Parete interna (nascosto)
- <B> Parete esterna
- <C> Parete esterna (scoperto)
- <D> Parete esterna (incombustibile)
- <E> Asse del tubo del soffitto
- <F> Sezione penetrante nel materiale incombustibile e nella parete di confine
- Ⓐ Tubetto isolante
- Ⓑ Materiale isolante
- Ⓒ Rivestimento
- Ⓓ Materiale di stuccatura
- Ⓔ Nastro
- Ⓕ Strato impermeabile
- Ⓖ Tubetto isolante con bordo
- Ⓖ Materiale di rivestimento
- Ⓗ Stuccatura con materiali incombustibili come malta
- Ⓙ Materiale isolante incombustibile

Per riempire uno spazio vuoto con malta, coprire la sezione che penetra con una piastra di acciaio in modo che il materiale isolante non venga rimosso. Utilizzare per questa sezione materiali incombustibili, sia per la parte isolante che per il rivestimento. (Evitare di usare materiale in vinile per il rivestimento.)

### 9.2. Scatola di comando e posizione di collegamento dei cablaggi

1. Collegare la linea di trasmissione della sezione interna al blocco terminale (TB3) apposito oppure collegare le linee di trasmissione fra le sezioni esterne o le linee con il sistema di controllo centralizzato al blocco terminale del controllo centralizzato (TB7). Quando vengono usati cavi schermati, collegare lo schermo di massa della linea di trasmissione della sezione interna alla vite di messa a terra (⊕) e collegare lo schermo di massa della linea fra le sezioni esterne e la linea di trasmissione del sistema di comando centralizzato al terminale schermato (S) del blocco terminale del controllo centralizzato (TB7). Oltre a ciò, in presenza di sezioni esterne in cui il connettore di alimentazione CN41 è stato sostituito dal CN40, anche il terminale schermato (S) del blocco terminale del controllo centralizzato (TB7) deve essere collegato a massa (⊕).

[Fig. 9.2.1] (P.4)

- Ⓐ Presa energia elettrica
- Ⓑ Linea di trasmissione

2. Vengono fornite le piastre di montaggio del conduttore (ø27). Far passare i fili di alimentazione e di trasmissione attraverso gli appositi fori sagomati, rimuovendo quindi il pezzo sagomato dalla parte inferiore della scatola terminale e collegare quindi i fili.
3. Fissare il cavo di alimentazione alla scatola terminale usando la speciale boccia di separazione per connessioni sotto tensione tipo PG o simile.

### 9.3. Cavi di trasmissione dei cablaggi

#### ① Tipi di cavi di comando

1. Cavi di trasmissione dei cablaggi

- Tipi di cavi di trasmissione: Cavo schermato CVVS o CPEVS
- Diametro del cavo: Superiore a 1,25 mm<sup>2</sup>
- Lunghezza massima ammessa: Non oltre 200 m

#### 2. Remote control cables

Tipi di cavi del comando a distanza	cavo a 2 conduttori (non schermato)
Diametro del cavo	da 0,3 a 1,25 m <sup>2</sup>
Osservazioni	Per lunghezze superiori a 10 m, usare cavi delle stesse specifiche dei cavi di trasmissione (1).

#### ② Esempi di cablaggi

- Nome del controllore, simbolo e numero ammesso di controllori

Nome	Simbolo	Numero di controllori ammessi
Controllore sezione esterna	OC	
Controllore BC	BC	Un controllore per un OC
Controllore della sezione interna	IC	Fra due e dieci controllori per un OC
Comando a distanza	RC	Massimo di 2 per gruppo

## Esempio di funzionamento a terra con più sezioni esterne (Sono necessari l'uso di cavi schermati e l'impostazione degli indirizzi)

<Esempi di collegamenti di cavi di trasmissione>

[Fig. 9.3.1] Unità del comando a distanza in rete (P.4)

[Fig. 9.3.2] MA Unità del comando a distanza (P.4)

- Ⓐ Gruppo 1      Ⓑ Gruppo 3      Ⓒ Gruppo 5      Ⓓ Cavo schermato      Ⓔ Controllore a distanza secondario  
( ) Indirizzo

<Metodo di collegamento e impostazione di indirizzo>

- Utilizzare sempre cavi schermati per eseguire le connessioni fra la sezione esterna (OC) e la sezione interna (IC), per tutte le connessioni OC-OC e per gli intervalli dei cablaggi IC-IC.
- Utilizzare cablaggi di alimentazione per collegare i terminali M1 e M2 ed il terminale di messa a terra del blocco terminale del cavo di trasmissione (TB3) di ciascuna sezione esterna (OC) ai terminali M1, M2 ed al terminale S del blocco di trasmissione della sezione interna (IC).
- Collegare i terminali 1 (M1) e 2 (M2) del blocco terminale del cavo di trasmissione della sezione interna (IC), con l'indirizzo più recente per lo stesso gruppo di sezioni interne, al blocco terminale dell'unità di comando a distanza (RC).
- Collegare assieme i terminali M1, M2 ed il terminale S del blocco terminale del comando centrale (TB7) di entrambe le sezioni esterne (OC).
- Su una sola sezione esterna, cambiare l'inserimento del connettore a ponticello del pannello di comando da CN41 a CN40.
- Collegare il terminale S del blocco terminale del comando centrale (TB7) della sezione esterna (OC) dell'unità in cui è stato inserito il connettore a ponticello in CN40, secondo quanto visto sopra, al terminale di messa a terra ( $\oplus$ ) nella scatola dei componenti elettrici.
- Impostare l'interruttore di indirizzo come indicato sotto.  
\* Per impostare l'indirizzo della sezione esterna su 100, l'interruttore di impostazione della sezione esterna deve essere regolato su 50.

Unità	Campo valori	Metodo di impostazione
IC (Principale)	da 01 a 50	Utilizzare l'indirizzo più recente per lo stesso gruppo di sezioni interne (IC)
IC (Secondaria)	da 01 a 50	Utilizzare un indirizzo diverso da quello dell'IC principale fra le unità per lo stesso gruppo di sezioni interne. Questo deve essere in sequenza con l'IC principale stessa
Sezione esterna	da 51 a 100	Utilizzare l'indirizzo più recente di tutte le sezioni interne dello stesso sistema refrigerante più 50
Controllore di diramazione	da 51 a 100	Indirizzo della sezione esterna più 1
M-NET R/C (Principale)	da 101 a 150	Impostare un indirizzo dell'IC principale per lo stesso gruppo più 100
M-NET R/C (Secondaria)	da 151 a 200	Impostare un indirizzo dell'IC principale per lo stesso gruppo più 150
MA R/C	-	Impostazione indirizzo non necessaria (Impostazione principale/secondaria necessaria)

- Il funzionamento con impostazione di gruppo di sezioni interne multiple è attivato dall'unità di comando a distanza (RC) solo dopo l'avvenuta alimentazione del sistema.

<Lunghezze ammesse>

### ① Unità del comando a distanza in rete

- Lunghezza massima attraverso le sezioni esterne:  $L_1+L_2+L_3+L_4$  e  $L_1+L_2+L_3+L_5$  e  $L_1+L_2+L_6+L_7 \leq 500$  m (sezione di 1,25 mm<sup>2</sup> o superiore)
- Lunghezza massima del cavo di trasmissione:  $L_1$  e  $L_3+L_4$  e  $L_3+L_5$  e  $L_6$  e  $L_2+L_6$  e  $L_7 \leq 200$  m (sezione di 1,25 mm<sup>2</sup> o superiore)
- Lunghezza del cavo del comando a distanza:  $l_1, l_2, l_3, l_4 \leq 10$  m (0,3 a 1,25 mm<sup>2</sup>)  
Qualora la lunghezza superi i 10 m, usare un cavo schermato da 1,25 mm<sup>2</sup>. La lunghezza di questa sezione ( $L_8$ ) deve essere inclusa nel calcolo della massima lunghezza ammessa e della lunghezza generale.

### ② MA Unità del comando a distanza

- Lunghezza massima attraverso le sezioni esterne (cavo in rete):  $L_1+L_2+L_3+L_4$  e  $L_1+L_2+L_6+L_7 \leq 500$  m (sezione di 1,25 mm<sup>2</sup> o superiore)
- Lunghezza massima del cavo di trasmissione (cavo in rete):  $L_1$  e  $L_3+L_4$  e  $L_6$  e  $L_2+L_6$  e  $L_7 \leq 200$  m (sezione di 1,25 mm<sup>2</sup> o superiore)
- Lunghezza del cavo del comando a distanza:  $m_1$  e  $m_1+m_2+m_3$  e  $m_1+m_2+m_3+m_4 \leq 200$  m (0,3 a 1,25 mm<sup>2</sup>)

## 9.4. Cablaggio di alimentazione principale e capacità dell'apparecchiatura

Tracciato schematico del cablaggio (Esempio)

[Fig. 9.4.1] (P.4)

- Ⓐ Interruttore (Interruttore per dispersione verso terra)      Ⓑ Sezione esterna      Ⓒ Controllore BC  
Ⓓ Scatola di derivazione      Ⓔ Sezione interna      Ⓕ Interruttori per dispersione di corrente

Spessore dei cavi dell'alimentazione principale e capacità di attivazione/disattivazione

Modello	Cavo principale	Spessore minimo del cavo (mm <sup>2</sup> )			Interruttore (A)		Interruttore cablaggio (NFB)	Interruttore dispersione corrente
		Diramazione	Terra	Capacità	Fusibile			
Sezione esterna	P200	4,0	-	4,0	32	32	40 A	30 A 100 mA 0,1 sec. max
	P250	6,0	-	6,0	40	40	40 A	40 A 100 mA 0,1 sec. max
Controllore BC		1,5	1,5	1,5	16	16	20 A	20 A 30 mA 0,1 sec. max
Sezione interna								

- Usare una linea di alimentazione separata per la sezione esterna e la sezione interna.
- Tener conto delle condizioni ambientali (temperatura ambiente, luce solare diretta, acqua piovana, ecc..) durante il cablaggio e le connessioni.
- Lo spessore del cavo corrisponde al minimo valore per il cablaggio di conduttura metallica. Il cavo di alimentazione deve essere di uno spessore maggiore, nel caso si presenti un calo di tensione.  
Accertarsi che la tensione di alimentazione non cali più del 10 %.
- Le caratteristiche specifiche dei cablaggi devono essere conformi agli standard normativi locali.
- I cavi di alimentazione o le parti di apparecchi per uso esterno non devono essere più leggeri di un cavo schermato flessibile in policloroprene (design 245 IEC57). Usare, ad esempio, cavi di specifica YZW.
- L'installatore del condizionatore d'aria dovrebbe fornire un interruttore con una separazione dei contatti di almeno 3 mm su ciascuna polarità.

### ⚠ **Avvertenza:**

- Accertarsi di usare cavi con le specifiche raccomandate in modo che le connessioni dei terminali non siano sottoposte a sforzi particolari. Qualora le connessioni non siano fissate saldamente, vi è il rischio di surriscaldamento o incendio.
- Accertarsi di utilizzare il corretto interruttore di protezione per sovracorrente. Occorre notare che la sovracorrente generata può includere una certa quantità di corrente diretta.

### ⚠ **Cautela:**

- Alcune installazioni richiedono l'adozione di un interruttore per dispersione verso terra, per evitare la generazione di scosse elettriche.
- Utilizzare esclusivamente interruttori e fusibili della corretta capacità. L'utilizzo di interruttori, cavi o fili di rame di capacità troppo elevata può causare un cattivo funzionamento dell'unità o un incendio.

## 10. Prova di funzionamento

### 10.1. Le seguenti situazioni non sono rappresentative di un guasto

Situazione	Display del comando a distanza	Causa
La sezione interna e il controllore BC emettono talvolta un rumore al momento della commutazione fra le modalità di raffreddamento e di riscaldamento.	<b>Display normale</b>	Questo non è un segnale di anomalia in quanto si tratta semplicemente di un rumore durante la selezione.
La sezione interna non esegue la modalità di raffreddamento (riscaldamento).	<b>"Raffreddamento (riscaldamento)" lampeggia</b>	Quando è stato effettuato il collegamento di più sezioni interne (max 3) alla stessa diramazione del controllore BC, non è possibile attivare la modalità di riscaldamento (raffreddamento) di un'unità, quando un'altra sezione interna sta funzionando nella modalità opposta.
Il deflettore automatico si muove liberamente.	<b>Display normale</b>	A seguito della presenza del sistema di controllo del funzionamento del deflettore automatico, questo può essere commutato automaticamente nella posizione di soffiaggio orizzontale dalla posizione di soffiaggio verso il basso, qualora il deflettore si sia trovato in quest'ultima posizione durante un'ora. Durante la fase di sbrinamento in modalità riscaldamento, con la regolazione della temperatura e il termostato disattivato, il deflettore viene automaticamente impostato sulla posizione di soffiaggio orizzontale.
L'impostazione del ventilatore viene modificata durante la fase di riscaldamento.	<b>Display normale</b>	Con il termostato disattivato, è stato avviato il funzionamento a velocità ultralenta. Con il trascorrere del tempo, la temperatura dell'aria raggiunge il valore impostato, al pari della temperatura della tubazione, con il termostato attivato.
Il ventilatore si arresta durante la fase di riscaldamento.	<b>"Sbrinamento" lampeggia</b>	Il ventilatore si arresta durante la fase di sbrinamento.
Il ventilatore non si arresta con la disattivazione del funzionamento dell'unità.	<b>Nessun segnale luminoso</b>	Il ventilatore continua a funzionare per 1 minuto dopo l'arresto dell'unità per scaricare il calore residuo (solo in fase riscaldamento).
Non è possibile effettuare alcuna impostazione del ventilatore quando è stato attivato l'interruttore SW.	<b>Pronto riscaldamento</b>	Funzionamento a velocità ultralenta durante 5 minuti dopo attivazione di SW o fino a quando la temperatura della tubazione non raggiungerà i 35 °C, poi funzionamento a bassa velocità per 2 minuti e quindi è possibile impostare. (Comando di regolazione dell'aria calda.)
La sezione esterna non funziona al momento dell'accensione.	<b>Display normale</b>	Quando la sezione esterna è stata raffreddata e il refrigerante non è attivo, verrà avviato il funzionamento dell'unità durante 35 minuti per riscaldare il compressore. Durante questo periodo solo il ventilatore funzionerà.
Il comando a distanza della sezione interna visualizza il messaggio "HO" per circa due minuti quando questa viene accesa.	<b>"HO" lampeggia</b>	Il sistema è stato attivato. Azionare di nuovo il comando a distanza dopo la sparizione del messaggio "HO".
La pompa di drenaggio non si arresta con la disattivazione del funzionamento dell'unità.	<b>Spegnimento segnale luminoso</b>	Dopo l'arresto della fase di raffreddamento, l'unità continua a funzionare in modo da attivare la pompa di drenaggio durante tre minuti e quindi si arresta.
La pompa di drenaggio continua a funzionare quando l'unità è stata spenta.		L'unità continua ad attivare la pompa di drenaggio in caso di formazione di liquido di drenaggio, anche durante il suo arresto.



# Inhoud

1. Veiligheidsvoorschriften .....	49	6.3. Watergebruik en controle op waterkwaliteit .....	52
1.1. Voordat u gaat installeren en de elektrische aansluitingen aanbrengt .....	49	6.4. Koppeling van de pomp .....	52
1.2. Voorzorgsmaatregelen voor apparaten die gebruik maken van de koelstof R407C .....	50	7. Installatie van de koelstofpijpen .....	52
1.3. Voordat u het apparaat installeert .....	50	7.1. Voorzichtig .....	52
1.4. Voordat u het apparaat installeert (verplaatst) - elektrische bedrading .....	50	7.2. Het systeem van koelstofpijpen .....	53
1.5. Voordat u het apparaat laat proefdraaien .....	50	8. Extra vulling met koelvloeistof .....	53
2. Combinatie met binnenapparaten .....	51	8.1. Berekening van extra vulling met koelvloeistof .....	53
3. Overzicht van meegeleverde onderdelen .....	51	8.2. Wees voorzichtig bij de pijpansluitingen/bediening van de afsluiter .....	53
4. Methode van optakelen .....	51	8.3. Luchtdichtheidsproef, ontluchting en bijvullen van koelstof .....	54
5. Installatie van het apparaat en ruimte voor onderhoud .....	51	8.4. Warmte-isolatie van de koelstofpijpen .....	55
5.1. Installatie .....	51	9. Bedrading .....	55
5.2. Ruimte voor onderhoud .....	51	9.1. Voorzichtig .....	55
6. Installatie van de waterleiding .....	51	9.2. Bedieningsdoos en aansluitpositie van bedrading .....	55
6.1. Voorzorgen bij de installatie .....	51	9.3. Bedrading transmissiekabels .....	56
6.2. Installatie van de isolatie .....	52	9.4. Bedrading van netvoeding en capaciteit van apparatuur .....	56
		10. Proefdraaien .....	57
		10.1. De volgende verschijnselen vormen geen probleem (noodsituatie) .....	57

## 1. Veiligheidsvoorschriften

### 1.1. Voordat u gaat installeren en de elektrische aansluitingen aanbrengt

- ▶ Lees alle “Veiligheidsvoorschriften” voordat u het apparaat installeert.
- ▶ In de “Veiligheidsvoorschriften” staan belangrijke instructies met betrekking tot de veiligheid. Volg ze zorgvuldig op.

#### Symbolen die in de tekst worden gebruikt




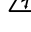
##### **Waarschuwing:**

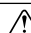
Beschrijft maatregelen die genomen moeten worden om het risico van verwonding of dood van de gebruiker te voorkomen.

##### **Voorzichtig:**

Beschrijft maatregelen die genomen moeten worden om schade aan het apparaat te voorkomen.

#### Symbolen die in de afbeeldingen worden gebruikt

-  : Geeft een handeling aan die u beslist niet moet uitvoeren.
-  : Geeft aan dat er belangrijke instructies moeten worden opgevolgd.
-  : Geeft een onderdeel aan dat moet worden gegaard.
-  : Geeft aan dat er een risico van elektrische schokken bestaat. (Dit symbool staat op de sticker op het apparaat.) <Kleur: geel>

-  **Waarschuwing:**  
Lees de stickers die op het apparaat zijn aangebracht aandachtig.

##### **Waarschuwing:**

- **Vraag de dealer of een erkende installateur om de airconditioner te installeren.**
  - Onjuiste installatie door de gebruiker kan resulteren in lekkage, een elektrische schok of brand.
- **Installeer het apparaat op een plaats die het gewicht ervan kan dragen.**
  - Onvoldoende draagkracht kan ertoe leiden dat het apparaat valt, hetgeen lichamelijk letsel kan veroorzaken.
- **Gebruik de gespecificeerde verbindingkabels voor de verbindingen. Sluit de kabels stevig aan om er zeker van te zijn dat er geen externe spankracht wordt uitgeoefend op de aansluitingen.**
  - Als de aansluitingen niet goed zijn aangebracht, kan dit brand door oververhitting veroorzaken.
- **Bescherm het apparaat tegen regen, andere vochtinwerkingen en aardshokken en installeer het apparaat op de opgegeven plaats.**
  - Onjuiste installatie kan ertoe leiden dat het apparaat omvalt, wat kan resulteren in letsel.
- **Gebruik uitsluitend de door Mitsubishi Electric gespecificeerde filters en andere accessoires.**
  - Alle toebehoren moeten door een erkende installateur worden geïnstalleerd. De gebruiker mag niet zelf proberen accessoires te installeren. Verkeerd geïnstalleerde accessoires kunnen lekkage, elektrische schokken of brand veroorzaken.

- **Probeer nooit zelf het apparaat te repareren. Als de airconditioner moet worden gerepareerd, dient u contact op te nemen met de dealer.**
  - Indien een reparatie niet juist wordt uitgevoerd, kan dit lekkage, elektrische schokken of brand tot gevolg hebben.
- **Indien er koelgas lekt tijdens de installatie, dient u de ruimte te ventileren.**
  - Indien het koelgas in contact komt met vuur, zullen er giftige gassen ontstaan.
- **Installeer de airconditioner volgens deze installatiehandleiding.**
  - Onjuiste installatie kan resulteren in lekkage, een elektrische schok of brand.
- **Alle werkzaamheden met betrekking tot elektriciteit moeten worden uitgevoerd door een erkend elektricien, overeenkomstig de plaatselijke wetgeving en de voorschriften die in deze handleiding worden gegeven en altijd op een afzonderlijk elektrisch circuit.**
  - Een spanningsbron die onvoldoende stroom levert of elektrische bedrading die niet goed is geïnstalleerd kan elektrische schokken of brand veroorzaken.
- **De afdekplaat van de aansluitkast van het buitenapparaat moet stevig zijn bevestigd.**
  - Als de afdekplaat onjuist is bevestigd, kan er stof en vocht binnendringen, hetgeen elektrische schokken of brand kan veroorzaken.
- **Wanneer u de airconditioner op een andere plaats installeert, dient u deze alleen te vullen met die koelstof (R407C) welke vermeld staat op het apparaat.**
  - Indien een andere koelstof wordt gebruikt of indien er lucht wordt gemengd met de oorspronkelijke koelstof, kan er een storing optreden in de koelcyclus en kan het apparaat beschadigd raken.
- **Als de airconditioner in een kleine ruimte wordt geïnstalleerd, moeten er maatregelen worden genomen om te voorkomen dat de concentratie koelstof in de ruimte hoger is dan de veiligheidsgrens bij eventuele lekkage van koelstof.**
  - Vraag uw leverancier om hulp voor het uitvoeren van deze maatregelen ter voorkoming van overschrijding van de toegestane concentratie. Mocht er koelstof lekken en wordt de concentratiegrens daardoor overschreden, dan kunnen er ongelukken gebeuren vanwege het zuurstofgebrek dat in de ruimte kan ontstaan.
- **Wanneer u de airconditioner wilt verplaatsen, dient u contact op te nemen met de dealer of een erkende installateur.**
  - Onjuiste installatie kan resulteren in lekkage, een elektrische schok of brand.
- **Zodra de installatie is voltooid, dient u te controleren of er geen koelgas lekt.**
  - Als er koelgas weggelekt is en het blootgesteld wordt aan een ventilator-kachel, fornuis, oven, kunnen er schadelijke gassen ontstaan.
- **Breng geen wijzigingen aan in de instellingen van de beveiligingsmechanismen.**
  - Indien de drukschakelaar, thermische schakelaar of een ander beveiligingsmechanisme wordt kortgesloten en incorrect wordt bediend, of er andere onderdelen worden gebruikt dan gespecificeerd door Mitsubishi Electric, kan er brand ontstaan of een explosie optreden.
- **Als u dit product wilt weggoien, neem dan contact op met uw dealer.**
- **De installateur en de systeemspecialist dienen beveiligingen tegen lekkage te verzorgen volgens de plaatselijk geldende regels en normen.**
  - Als er geen plaatselijk geldende regels zijn, kunnen de volgende richtlijnen worden aangehouden.
- **Schenk speciale aandacht aan de plaats van installatie, met name als dit bijvoorbeeld een kelder is, waar gasvormige koelstof zich kan ophopen (koelstof is zwaarder dan lucht).**

## 1.2. Voorzorgsmaatregelen voor apparaten die gebruik maken van de koelstof R407C

### ⚠ Voorzichtig:

- **Maak geen gebruik van de bestaande koelstofpijpen.**
  - De oude koelstof en koelmachine-olie in de bestaande buizen bevat een grote hoeveelheid chloor die ervoor kan zorgen dat de koelmachine-olie van het nieuwe apparaat verslechtert.
- **Gebruik fosforhoudende, zuurstofarme, naadloze koelstofpijpen en –buizen van koper of koperlegeringen. Daarnaast dient u ervoor te zorgen dat de binnen- en buitenoppervlakken van de pijpen schoon zijn en vrij zijn van gevaarlijk zwavel, oxiden, stof/vuil, deeltjes ten gevolge van nasnijden, olieresten, vocht of andere verontreinigingen.**
  - Verontreinigingen aan binnenkant van de koelstofpijpen kunnen ervoor zorgen dat de koelmachine-olieresten verslechteren.
- **Sla de te gebruiken pijpen binnen op en zorg ervoor dat beide uiteinden van de pijpen afgesloten zijn, tot vlak voordat deze worden gesoldeerd. (Sla ellebogen en andere verbindingstukken op in een plastic zak.)**
  - Indien er stof, vuil of water in de koelcyclus terecht komt, kan dit verslechtering van de olie of een storing in de compressor als gevolg hebben.
- **Gebruik (een kleine hoeveelheid) esterolie, etherolie of alkylbenzeen als koelmachine-olie voor de coating van otop- en flensverbindingen.**
  - De koelmachine-olie zal verslechteren indien deze met een grote hoeveelheid mineraalolie wordt gemengd.
- **Gebruik vloeibare koelstof om het systeem af te dichten.**
  - Indien gasvormige koelstof wordt gebruikt om het systeem af te dichten, zal de samenstelling van de koelstof in de cilinder veranderen en kunnen de prestaties verslechteren.
- **Gebruik geen andere koelstof dan R407C.**
  - Indien een andere koelstof (R22, enz.) wordt gebruikt, kan het chloor in de koelstof ervoor zorgen dat de koelmachine-olie verslechtert.
- **Gebruik een vacuümpomp met een keerklep voor terugstroming.**
  - De olie van de vacuümpomp kan terugstromen in de koelcyclus en kan ervoor zorgen dat de koelmachine-olie verslechtert.
- **Maak geen gebruik van het volgende gereedschap, dat wordt gebruikt bij gangbare koelstoffen. (Gasverdeelventiel, vulslang, gaslekdetector, keerklep voor terugstroming, vulslang voor koelstof, apparatuur voor het terugwinnen van koelstof.)**
  - Indien de gangbare koelstof en koelmachine-olie worden gemengd met de R407C, kan de koelstof verslechteren.
  - Indien water wordt gemengd met de R407C, kan de koelmachine-olie verslechteren.
  - Aangezien de R407C geen chloor bevat, zullen gaslekdetectoren voor gangbare koelstoffen niet op deze koelstof reageren.
- **U dient geen gebruik te maken van een vulcilinder.**
  - Door gebruik te maken van een vulcilinder kan de koelstof verslechteren.
- **Wees uiterst voorzichtig bij het hanteren van het gereedschap.**
  - Indien er stof, vuil of water in de koelcyclus terecht komt, kan dit verslechtering van de koelstof als gevolg hebben.

## 1.3. Voordat u het apparaat installeert

### ⚠ Voorzichtig:

- **Installeer dit apparaat niet op een plaats waar het kan worden blootgesteld aan ontvlambare gassen.**
  - Wanneer er zich een gaslekage voordoet en dit gas zich rond het apparaat ophoopt, kan dit een ontploffing veroorzaken.
- **Gebruik de airconditioner niet in een ruimte waar zich voedsel, dieren, planten, precisie-instrumenten of kunstwerken bevinden.**
  - De kwaliteit van het voedsel enz., kan nadelig worden beïnvloed.
- **Gebruik de airconditioner niet in speciale ruimtes.**
  - Olie, stoom en zwavelhoudende dampen enz., kunnen de prestaties van de airconditioner aanzienlijk verminderen of schade toebrengen aan de onderdelen.
- **Wanneer het apparaat geïnstalleerd wordt in een ziekenhuis, communicatiestation, enz., dient te worden gezorgd voor afdoende bescherming tegen geluidsoverlast.**
  - De airconditioner kan foutief werken of in het geheel niet werken omdat het wordt beïnvloed door omzetapparatuur, een eigen stroomgenerator, hoogfrequente medische apparatuur of communicatieapparatuur waarbij gebruik wordt gemaakt van radiogolven. Omgekeerd kan de airconditioner van invloed zijn op zulke apparatuur omdat het apparaat ruis produceert die een medische behandeling of het uitzenden van beelden kan verstoren.
- **Plaats het apparaat niet zo dat er lekkage kan optreden.**
  - Wanneer de luchtvochtigheid in de ruimte meer dan 80 % wordt of wanneer de afvoerbuï is verstopt, kan er condensatie van het binnenapparaat aflopen. Zorg, zoals vereist, tegelijk met het buitenapparaat voor afvoering.

## 1.4. Voordat u het apparaat installeert (verplaatst) - elektrische bedrading

### ⚠ Voorzichtig:

- **Het apparaat aarden.**
  - Sluit de aardleiding niet aan op een gasleiding, waterleiding, bliksemafleider of aardleiding voor de telefoon. Een tekortkoming in de aarding kan elektrische schokken veroorzaken.
- **De omgekeerde fase van de L-leidingen (L<sub>1</sub>, L<sub>2</sub>, L<sub>3</sub>) kan worden gedetecteerd (foutcode: 4103), maar de omgekeerde fase van L-leidingen en de N-leiding kan niet worden gedetecteerd.**
  - Sommige elektrische onderdelen kunnen worden beschadigd als het apparaat onder stroom wordt gezet en er zijn verkeerde verbindingen gemaakt.
- **Sluit het netsnoer zo aan dat er geen spanning op het snoer staat.**
  - Spanning kan er voor zorgen dat het snoer breekt, kan zorgen voor oververhitting en kan brand veroorzaken.
- **Zorg dat er, zoals vereist, een stroomonderbreker wordt geïnstalleerd.**
  - Indien er geen stroomonderbreker wordt geïnstalleerd, kan er een elektrische schok optreden.
- **Gebruik voor de elektrische aansluitingen kabels met voldoende stroomcapaciteit.**
  - Kabels met een te lage capaciteit kunnen lekkage, oververhitting en brand veroorzaken.
- **Gebruik alleen een stroomonderbreker en zekeringen met de gespecificeerde capaciteit.**
  - Een zekering of een stroomonderbreker met een hogere capaciteit of een stalen of koperen draad kan een algemene storing of brand veroorzaken.
- **De onderdelen van de airconditioner mogen niet worden gewassen.**
  - Het wassen van de onderdelen kan elektrische schokken tot gevolg hebben.
- **Zorg ervoor dat de installatie plaat niet wordt beschadigd door lang gebruik.**
  - Wanneer schade niet wordt hersteld, kan het apparaat naar beneden vallen en persoonlijk letsel of schade aan uw eigendommen veroorzaken.
- **Installeer de afvoerpijpen overeenkomstig deze installatiehandleiding, zodat een goede afvoer is gewaarborgd. Zorg ervoor dat de pijpen thermisch geïsoleerd zijn, om condensatie te voorkomen.**
  - Gebruik van verkeerde afvoerpijpen kan lekkage en schade aan het meubilair of andere eigendommen veroorzaken.
- **Wees uiterst voorzichtig bij het transport van het product.**
  - Indien het product meer dan 20 kg weegt, dient het door meer dan één persoon te worden gedragen.
  - Bij sommige producten worden PP-banden bij de verpakking gebruikt. Gebruik geen PP-banden voor vervoer. Het is gevaarlijk.
  - Wanneer het buitenapparaat enz. aan de ophangbouten wordt vervoerd, zorg er dan voor dat deze op vier punten wordt ondersteund. Als deze op drie punten wordt ondersteund, is het apparaat onstabiel en kan het na plaatsing omvallen.
- **Wees voorzichtig als u het verpakkingsmateriaal wegdoet.**
  - Verpakkingsmateriaal zoals klemmen en andere metalen of houten onderdelen kunnen snijwonden of andere verwondingen veroorzaken.
  - Verscheur plastic verpakkingszakken en doe ze weg zodat kinderen er niet mee kunnen spelen. Als kinderen spelen met een plastic zak die niet gescheurd is, kan dit verstikkingsgevaar opleveren.

## 1.5. Voordat u het apparaat laat proefdraaien

### ⚠ Voorzichtig:

- **Zet de netspanningschakelaar ruim twaalf uur voordat u de airconditioner gaat gebruiken aan.**
  - Als u het apparaat meteen nadat u de netschakelaar heeft omgedraaid aanzet, kunnen de interne onderdelen ernstig beschadigd worden. Gedurende het seizoen waarin u het apparaat gebruikt, moet u de netschakelaar altijd aan laten staan.
- **Raak schakelaars nooit met natte vingers aan.**
  - Het aanraken van een schakelaar met natte vingers kan een elektrische schok veroorzaken.
- **Raak de koelstofpijpen niet met blote handen aan terwijl de airconditioner werkt of vlak nadat deze heeft gewerkt.**
  - Terwijl de airconditioner werkt of vlak nadat deze heeft gewerkt, zijn de koelstofpijpen soms heet en soms koud, afhankelijk van de toestand van de vloeistof die circuleert in de pijpen, de compressor en de andere onderdelen van de koelstofcyclus. Uw handen kunnen verbranden of bevriezen als u de koelstofpijpen aanraakt.
- **Gebruik de airconditioner niet wanneer de panelen en beveiligingen zijn verwijderd.**
  - Roterende onderdelen, hete onderdelen en onderdelen onder hoge spanning kunnen lichamelijke letsel veroorzaken.
- **Zet de netspanning niet onmiddellijk na gebruik van het apparaat uit.**
  - Wacht altijd tenminste vijf minuten alvorens u de netspanning uit zet. Anders kunnen lekkages of storingen ontstaan.
- **Raak tijdens het onderhoud het oppervlak van de compressor niet aan.**
  - Als het apparaat wordt aangesloten op de spanningsbron en niet draait, is de carterverwarming van de compressor in bedrijf.

## 2. Combinatie met binnenapparaten

Model	PQRY-P200YEM-A	PQRY-P250YEM-A
Geluidsniveau	51 dB <A>	52 dB <A>
Nettogewicht	270 kg	280 kg
Toegestane druk	HP: 2,94 MPa, LP: 1,6 MPa	
Koelvloeistof	R407C: 7,5 kg	R407C: 8,5 kg
Binnenapparaten	Totale capaciteit	50 ~ 150 %
	Model/Aantal	20 ~ 200 / 1 ~ 15
Bedrijfstemperatuur	Watertemperatuur: 10°C ~ 45°C Opmerking 1	

Opmerking 1. Wanneer de totale capaciteit van de binnenapparaten hoger is dan 130% van de capaciteit van de buitenapparaten, bedraagt het bedrijfstemperatuur bereik van het circulatiewater 15°C ~ 45°C

## 3. Overzicht van meegeleverde onderdelen

- |   |                              |  |
|---|------------------------------|--|
| ① Ophangbouten M12 × 4  | ② Montageplaat bedrading × 1 | ③ Zelftappende schroef M4 × 2          |
| ④ Verbindingspijp × 1 (Verbindingspijp zit aan het buitenapparaat.) |                              | ⑤ Pakking (binnen ø23, buiten ø35) × 1 |
| ⑥ Bus × 2   |                              |  |

## 4. Methode van optakelen

[Fig. 4.0.1] (P.2)

### ⚠ Voorzichtig:

Wees uiterst voorzichtig bij het dragen van het product.

- Als het product meer dan 20 kg weegt, dient het niet door één enkele persoon gedragen te worden.
- Bij sommige producten wordt gebruik gemaakt van PP-linten voor de verpakking. Gebruik deze niet om er het product mee te vervoeren omdat ze gevaarlijk zijn.
- Verscheur de plastic verpakking in kleine stukjes, zodat kinderen er niet mee kunnen spelen. Dit om verstikking door de plastic verpakking bij kinderen te voorkomen.
- Als u het buitenapparaat vervoert aan de ophangogen, gebruik dan altijd alle vier de ogen. Als het apparaat aan drie of minder punten hangt, kan dit bij het neerzetten scheef komen te staan en omvallen.

## 5. Installatie van het apparaat en ruimte voor onderhoud

### 5.1. Installatie

- Zet het apparaat stevig vast aan de grondplaat met bouten door de hieronder aangegeven bevestigingsgaten.

[Fig. 5.1.1] (P.2)

- |                   |                             |
|-------------------|-----------------------------|
| Ⓐ Buitenapparaat  | Ⓑ 4 - ø14 (bevestigingsgat) |
| Ⓒ (Bovenaanzicht) |                             |

#### Ondergrond en trillingsdemping

- Zorg dat het apparaat wordt geïnstalleerd op een plaats die sterk genoeg is voor het volle gewicht ervan. Als de ondergrond niet stevig genoeg is, versterk deze dan met een betonnen fundering.
- Het apparaat moet worden vastgemaakt aan een horizontaal oppervlak. Gebruik na de installatie een waterpas om te controleren of het apparaat inderdaad horizontaal staat.
- Plaats altijd trillingsdempende voetjes onder de grondplaat van het apparaat.
- Als het apparaat vlak naast een ruimte wordt geïnstalleerd waar geluidsoverlast een probleem kan zijn, raden wij u aan om op de grondplaat van het apparaat een trillingsdempende basis te gebruiken.

[Fig. 5.1.2] (P.2)

- |                             |                      |
|-----------------------------|----------------------|
| Ⓓ Trillingsdempende voetjes | Ⓔ Betonnen fundering |
|-----------------------------|----------------------|

### ⚠ Waarschuwing:

- Installeer het apparaat op een plaats die sterk genoeg is om het gewicht van het apparaat te dragen. Onvoldoende draagkracht kan ertoe leiden dat het apparaat naar beneden valt, hetgeen persoonlijk letsel kan veroorzaken.
- Installeer het apparaat zo dat het tegen harde wind en aardbevingen beschermd wordt. Onvolkomenheden bij de installatie kunnen ertoe leiden dat het apparaat naar beneden valt, hetgeen persoonlijk letsel kan veroorzaken.

### 5.2. Ruimte voor onderhoud

- Houd er bij de installatie rekening mee dat u de volgende ruimtes voor onderhoud vrij laat. (Al het onderhoud kan worden gedaan vanaf de voorkant van het apparaat.)

[Fig. 5.2.1] (P.2)

- |   |
|---|
| Ⓐ Ruimte voor leidingen (leidingen links) |
| Ⓑ Buitenapparaat                          |
| Ⓒ Ruimte voor onderhoud (voorkant)        |
| Ⓓ (Bovenaanzicht)                         |

[Fig. 5.2.2] (P.2)

- |   |                  |
|---|------------------|
| Ⓔ Ruimte voor leidingen (leidingen boven) |                  |
| Ⓕ Ruimte voor leidingen (leidingen links) |                  |
| Ⓖ Buitenapparaat                          | Ⓗ (Vooraanzicht) |

## 6. Installatie van de waterleiding

- De leidingen van de City Multi WR2-serie zijn dezelfde als de andere air-conditioningleidingen. Houd u echter aan de volgende voorzorgsmaatregelen bij de installatie ervan.

### 6.1. Voorzorgen bij de installatie

- Gebruik de omkeer/terugkeer-methode om voor iedere eenheid de juiste pijpweerstand te bepalen.
- Om het onderhoud, de inspectie en eventuele vervanging van het apparaat op een later tijdstip goed te kunnen uitvoeren, dient u bij de waterinlaat- en wateruitlaatpoorten altijd de juiste koppelstukken, kleppen, etc. te gebruiken. Let er bovendien op dat u bij de waterinlaatpoort een filter installeert. (Voor het behoud van de warmtebronnen, is het van belang dat er een filter wordt geïnstalleerd op de inlaat van het watercirculatiesysteem.)  
\* In de onderstaande afbeelding vindt u een voorbeeld voor de installatie van het buitenapparaat.

- Installeer een geschikte ontluuchting op de waterleiding. Vergeet niet om de waterleiding te ontluuchten nadat u de leiding met water heeft gevuld.
- In de gedeelten van het buitenapparaat met een lage temperatuur kan de waterdruk hoog oplopen. Tap het overtollige water af via een aftapleiding, aangesloten op de aftapklep aan de onderkant van het apparaat.
- In het midden van de warmtewisselaar op de kop van de waterinlaat, middenin het apparaat, bevindt zich een wateraftapplug. Gebruik deze voor onderhoud, etc. Let er bovendien goed op dat geen van de elektrische onderdelen van het apparaat (zoals de solenoïde klepspoel of de voeding van de compressor) nat wordt.
- Installeer een terugslagklep op de pomp en een flexibele koppeling om overtollige trillingen te onderdrukken.
- Bescherm de leidingen met een mof op de plaatsen waar deze door een muur gaan.

- Zet de leidingen vast met metalen zadeltjes en installeer de leidingen zodanig dat deze maximaal worden beschermd tegen breken, buigen en andere beschadigingen.
- Let goed op dat de waterinlaat- en wateruitlaatkleppen niet worden verwisseld.
- Dit apparaat is niet uitgerust met een verwarmingselement ter voorkoming van bevriezen van de leidingen. Als de waterstroom bij lage buitentemperaturen stop wordt gezet, tap de leidingen dan af.
- De ongebruikte uitdrukaten moeten worden afgedicht en de openingen van de koelstofpijpen, waterpijpen, voedingsbron en transmissieleidingen moeten worden afgedicht met kit e.d. als bescherming tegen regen. (Buitenlucht-opstelling)

#### Orbeeld voor de installatie van het buitenapparaat (met leidingen links)

[Fig. 6.1.1] (P.2)

- |                          |                   |                 |
|--------------------------|-------------------|-----------------|
| Ⓐ Watercirculatieleiding | Ⓑ Afsluitklep     | Ⓒ Afsluitklep   |
| Ⓓ Wateruitlaatopening    | Ⓔ Koelstofleiding | Ⓕ Filter type Y |
| Ⓔ Waterinlaatopening     | Ⓕ Aftapleiding    |                 |

## 6.2. Installatie van de isolatie

Mits de temperatuur van het circulerende water over het gehele jaar op een gemiddelde temperatuur wordt gehouden ('s winters 20°C, 's zomers 30°C), hoeven de binnenleidingen van de City Multi WR2-serie niet te worden geïsoleerd of anderszins te worden beschermd. In de volgende gevallen dient u echter wel isolatie aan te brengen:

- bij buitenleidingen.
- bij binnenleidingen in gebieden met lage temperaturen, waar bevroering een probleem kan vormen.
- als de van buiten komende lucht zorgt voor condensatie op de leidingen.
- rondom aftapleidingen.

## 6.3. Watergebruik en controle op waterkwaliteit

Om de kwaliteit van het water constant te houden, dient u voor de WR2 gebruik te maken van een koeltoren van het gesloten type. Als de kwaliteit van het water te wensen overlaat, kan er op de waterwarmtewisselaar aanslag worden afgezet, met als gevolg een verminderde werking van de warmtewisselaar en mogelijke corrosie ervan. Let dus goed op de kwaliteit van het water (aanwezigheid van kalk en eventueel vuil), als u het watercirculatiesysteem installeert.

- Verwijderen van vreemde voorwerpen en vuilaanslag uit de leidingen. Tijdens de installatie dient u er goed op te letten dat er geen vreemde voorwerpen, zoals lasslakken, stukjes pakking of roest in de leidingen terechtkomen.
- Kwaliteit van het water
  - 1 Afhankelijk van de kwaliteit van het water voor het koudwatercircuit dat in de air-conditioning wordt gebruikt, kan het gebeuren dat de koperen leidingen van de warmtewisselaar corroderen. Wij raden u aan om het water op een eenvoudige manier te testen.  
Met name circulatiesystemen voor koud water waarbij gebruik wordt gemaakt van open warmteopslag tanks, zijn gevoelig voor corrosie.

## 7. Installatie van de koelstofpijpen

De WR2-lijn van City Multi is opgebouwd uit een op het einde aftakend systeem waarin de koelstofpijpen van het buitenapparaat bij de BC-bedieningseenheid aftakken en met elk binnenapparaat worden verbonden.

De aansluitingsmethode die gebruikt wordt is een flensverbinding voor een lage-drukpijp en een optrompverbinding voor de hogedrukpijp tussen het buitenapparaat en de BC-bedieningseenheid en een optrompverbinding tussen de BC-bedieningseenheid en het binnenapparaat. Bij de verbindingspijpen en aftakingspijpen worden de aansluitingen hardgesoldeerd.

### ⚠ Waarschuwing:

Wees altijd uiterst voorzichtig om te voorkomen dat er koelstofgas (R407C) lekt terwijl er vuur of vlammen gebruikt worden. Wanneer het koelstofgas met een vlam van welke bron dan ook, zoals een gasfornuis, in contact komt, dan ontbindt het en ontstaat er een giftig gas, hetgeen gasvergiftiging kan veroorzaken. Soldeer of las nooit in een ongeventileerde en/of gesloten ruimte. Controleer altijd, na de voltooiing van de installatie van de koelstofpijpen, of er gas lekt.

### 7.1. Voorzichtig

- 1 Gebruik de volgende materialen voor de koelstofpijpen:
  - Materiaal: Gebruik fosforhoudende, zuurstofarme, koperen koelstofpijpen. Zorg ervoor dat de binnen- en buitenoppervlakken van de pijpen schoon zijn en vrij zijn van gevaarlijk zwavel, oxiden, stof/vuil, metaaldeeltjes, olieresten, vocht of andere verontreinigingen. (R407C-modellen)

### ② Waterkwaliteitsnorm

	Items	Standaardwaarden
Standaard items	PH (25°C)	7,0 ~ 8,0
	Elektrische geleiding (25°C) (μ s/cm)	300 of minder
	Chloorion Cl <sup>-</sup> (mg/l)	50 of minder
	Sulfaat ion SO <sub>4</sub> <sup>2-</sup> (mg/l)	50 of minder
	M-alkaliniteit CaCO <sub>3</sub> (mg/l)	50 of minder
	Totale hardheid CaCO <sub>3</sub> (mg/l)	70 of minder
Referentie-items	IJzer Fe (mg/l)	1,0 of minder
	Zwavelion S <sup>2-</sup> (mg/l)	Niet waarneembaar
	Ammoniak ion NH <sub>4</sub> <sup>+</sup> (mg/l)	Niet waarneembaar
Opmerking 2	Silica SiO <sub>2</sub> (mg/l)	30 of minder

Opmerking 2 Het is onomstotelijk vastgesteld dat de componenten van de referentie-items gevaarlijk zijn, de kwantitatieve relatie tussen de aanwezigheid van de stoffen en het gevaar is echter nog niet opgehelderd. Daarom staan ze vermeld als referentie-items.

③ Raadpleeg een expert op het gebied van waterkwaliteit over waterkwaliteitscontrolemethoden en -berekeningen, alvorens over te gaan tot het gebruik van anticorrosiemiddelen.

④ Als u een eerder geïnstalleerde air-conditioning vervangt (of zelfs alleen de warmtewisselaar ervan), voer dan eerst een grondige waterkwaliteitscontrole uit en controleer leidingen, etc. op mogelijke corrosie. Corrosie kan in koudwatersystemen optreden, zelfs als er eerder geen tekenen van corrosie waren.  
Als de kwaliteit van het water bijvoorbeeld plotseling of geleidelijk omlaag is gegaan, dient de waterkwaliteit bijgewerkt te worden, voordat de air-conditioning geïnstalleerd of vervangen wordt.

## 6.4. Koppeling van de pomp

Het buitenapparaat kan beschadigd raken als dit in gebruik wordt genomen zonder dat er water in de leidingen circuleert.

Zorg dat de inschakeling van het buitenapparaat wordt gekoppeld aan de inschakeling van de watercircuitpomp. Gebruik hiervoor de eindaansluitingen voor koppeling (TB8-3, 4) die op het buitenapparaat zijn aangebracht. Als u het pompkoppelingcircuit verbindt met de TB8-3, 4, verwijder dan eerst het kortsluitsnoer. Bovendien dient u, om een foutieve foutdetectie als gevolg van een slechte aansluiting te vermijden, in de drukklep 63PW te zorgen voor een lage blijvende stroomsterkte van 5mA of minder.

[Fig. 6.4.1] (P.2)

- Ⓐ Kortsluitsnoer (Aangesloten vóór de verschepping vanuit de fabriek.)
- Ⓑ Aansluiting van pompkoppelingcircuit

- 2 In de winkel verkrijgbare pijpen bevatten vaak stof en andere materialen. Blaas ze altijd schoon met een droog inert gas.
- 3 Wees voorzichtig om te voorkomen dat stof, water of andere vervuilende stoffen in de pijpen terecht komen tijdens de installatie.
- 4 Beperk het aantal gebogen delen zoveel mogelijk en gebruik altijd een zo groot mogelijke straal wanneer u de pijpen buigt.
- 5 Houd altijd rekening met de beperkingen van de koelstofpijpen (zoals nominale lengte, het verschil tussen hoge/lage druk, en diameter van de pijpen). Als u dit niet doet, kan dit storingen van de apparaten of een afname in verwarmings-/koelingsprestaties veroorzaken.
- 6 Het City Multi WR2 Series apparaat houdt op met werken als er zich een abnormale situatie voordoet, als er te veel of te weinig koelvloeistof is. Als dit gebeurt, dient u het apparaat van de juiste hoeveelheid koelvloeistof te voorzien. Controleer bij onderhoud altijd de opmerking over pijplengte en de hoeveelheid extra koelstof op beide plaatsen, de berekeningstabel voor het volume van de koelstof op de achterkant van het onderhoudspaneel en het extra koelstofgedeelte op de labels voor het totale aantal binnenapparaten.
- 7 Gebruik vloeibare koelstof om het systeem af te dichten.
- 8 Gebruik nooit koelstof om het apparaat te ontluichten. Gebruik hiervoor altijd een vacuümpomp.
- 9 Isoleer de pijpen altijd goed. Onvoldoende isolatie leidt tot een afname in verwarmings-/koelingsprestaties, waterdruppels door condensatie en andere problemen van die aard.

- ⑩ Zorg ervoor dat tijdens het aansluiten van de koelstofpijp de kogelklep van het buitenapparaat volledig gesloten is (de fabrieksinstelling) en open deze niet totdat de koelstofpijpen voor het buitenapparaat en de binnenapparaten zijn aangesloten, een koelstoflektest is uitgevoerd en het ontluichtingsproces is voltooid.
- ⑪ Gebruik altijd niet-oxiderend hardsoldeer materiaal voor het hardsolderen van onderdelen. Wanneer nagelaten wordt niet-oxiderend hardsoldeer materiaal te gebruiken, kan dit verstoppingen of schade aan de compressor veroorzaken.
- ⑫ **Sluit nooit pijpen aan op het buitenapparaat terwijl het regent.**

### ⚠ Waarschuwing:

Wanneer u de airconditioner op een andere plaats installeert, dient u deze alleen te vullen met die koelstof welke vermeld staat op het apparaat.

- Indien een andere koelstof wordt gebruikt of indien er lucht wordt gemengd met de oorspronkelijke koelstof, kan er een storing optreden in de koelcyclus en kan het apparaat beschadigd raken.

### ⚠ Voorzichtig:

- **Gebruik een vacuümpomp met een keerklep voor terugstroming. (R407C-modellen)**
  - Indien de vacuümpomp geen keerklep voor terugstroming heeft, kan de olie van de vacuümpomp terugstromen in de koelcyclus en ervoor zorgen dat de koelmachine-olie verslechtert en zorgen voor andere problemen.
- **Maak geen gebruik van het volgende gereedschap, dat wordt gebruikt bij gangbare koelstoffen. (R407C-modellen) (Gasverdeelventiel, vulslang, gaslekdetector, keerklep voor terugstroming, vulslang voor koelstof, vacuümmeter, apparatuur voor het terugwinnen van koelstof)**
  - Indien de gangbare koelstof en koelmachine-olie woäten gemengd, kan de koelmachine-olie verslechteren.
  - Indien water wordt gemengd, kan de koelmachine-olie verslechteren.
  - Aangezien de R407C geen chloor bevat, zullen gaslekdetectoren voor gangbare koelstoffen deze niet op deze koelstof reageren.

## 8. Extra vulling met koelvloeistof

Ten tijde van transport is het buitenapparaat gevuld met koelstof. Aangezien deze vulling niet genoeg is in het geval van uitbreidingen aan de pijpen, is ter plekke een extra vulling voor elke koelleiding nodig. Om toekomstig onderhoud op de juiste manier te kunnen laten plaatsvinden, dient u altijd de grootte en lengte van elke koelleiding bij te houden en de hoeveelheid extra koelvloeistof op de daarvoor bestemde plaats op het buitenapparaat te schrijven.

### 8.1. Berekening van extra vulling met koelvloeistof

- Bereken de hoeveelheid extra vulling gebaseerd op de lengte van de pijp-uitbreidingen en de doorsnede van de koelleiding.
- Gebruik de tabel rechts als leidraad bij het uitrekenen van de hoeveelheid toe te voegen vulling en vul het systeem daarmee overeenkomstig bij.
- Als de uitkomst van de berekening minder dan 0,1 kg is. Wanneer het resultaat van de berekening bijvoorbeeld op 10,62 kg zou uitkomen, rondt u het resultaat naar boven af op 10,7 kg.

<Extra vulling>

$$\begin{matrix} \text{Extra vulling} \\ \text{koelvloeistof} \\ \text{(kg)} \end{matrix} = \begin{matrix} \text{Totale lengte van} \\ \text{vloeistofpijpen} \\ \text{met } \varnothing 19,05 \times 0,16 \\ \text{(m)} \times 0,16 \text{ (kg/m)} \end{matrix} + \begin{matrix} \text{Totale lengte van} \\ \text{vloeistofpijpen met} \\ \varnothing 9,52 \times 0,06 \\ \text{(m)} \times 0,06 \text{ (kg/m)} \end{matrix} + \begin{matrix} \text{Totale lengte van} \\ \text{vloeistofpijpen met} \\ \varnothing 6,35 \times 0,024 \\ \text{(m)} \times 0,024 \text{ (kg/m)} \end{matrix} + \alpha$$

<Voorbeeld>

Binnen 1: 40	A: $\varnothing 19,05$	40 m	a: $\varnothing 6,35$	10 m	} Voor de hieronder genoemde omstandigheden:
2: 100	B: $\varnothing 9,52$	10 m	b: $\varnothing 9,52$	5 m	
3: 40	C: $\varnothing 9,52$	15 m	c: $\varnothing 6,35$	10 m	
4: 32			d: $\varnothing 6,35$	10 m	
5: 63			e: $\varnothing 9,52$	10 m	

De totale lengte van elke vloeistofleiding is als volgt:

$$\begin{aligned} \varnothing 19,05: A &= 40 \text{ m} \\ \varnothing 9,52: B + b + e &= 10 + 5 + 10 = 25 \text{ m} \\ \varnothing 6,35: a + c + d &= 10 + 10 + 10 = 30 \text{ m} \end{aligned}$$

Daarom,

<Rekenvoorbeeld>

$$\begin{aligned} \text{Extra vulling koelvloeistof} \\ = 40 \times 0,16 + 25 \times 0,06 + 30 \times 0,024 + 2 = 10,7 \text{ kg} \end{aligned}$$

Waarde van  $\alpha$

Totale capaciteit van aangesloten binnenapparaten t/m type 80	$\alpha$
Typen 81 t/m 160	1,0 kg
Typen 161 t/m 330	1,5 kg
Typen 331 t/m 375	2,5 kg

- **Beheer het gereedschap met meer zorg dan normaal. (R407C-modellen)**
  - Indien er stof, vuil of water in de koelcyclus terecht komt, kan dit verslechtering van de koelmachine-olie als gevolg hebben.
- **Maak geen gebruik van de bestaande koelstofpijpen. (R407C-modellen)**
  - De oude koelstof en koelmachine-olie in de bestaande buizen bevat een grote hoeveelheid chloor die ervoor kan zorgen dat de koelmachine-olie van het nieuwe apparaat verslechtert.
- **Sla de te gebruiken pijpen binnen op en zorg ervoor dat beide uiteinden van de pijpen afgesloten zijn, tot vlak voordat deze worden gesoldeerd.**
  - Indien er stof, vuil of water in de koelcyclus terecht komt, kan dit verslechtering van de olie of een storing in de compressor als gevolg hebben.
- **U dient geen gebruik te maken van een vulcilinder. (R407C-modellen)**
  - Door gebruik te maken van een vulcilinder kan de koelstof verslechteren.
- **Gebruik geen speciale reinigingsmiddelen voor het reinigen van de pijpen.**

## 7.2. Het systeem van koelstofpijpen

Aansluitingsvoorbeeld

[Fig. 7.2.1] (P.3)

- |   |                           |
|---|---------------------------|
| A Hogedrukpijp                                    | B Lagedrukpijp            |
| C Aansluiting buitenapparaat/BC-bedieningseenheid |                           |
| D Totale capaciteit van de binnenapparaten        |                           |
| E Vloeistofleiding                                | F Gasleiding              |
| G Typenummer                                      |                           |
| A BC-bedieningseenheid                            | B Binnenapparaat (20~140) |
| C Binnenapparaat (200, 250)                       |                           |

### 8.2. Wees voorzichtig bij de pijp-aansluitingen/bediening van de afsluiter

- Werk nauwkeurig bij het aansluiten van de pijpen en de bediening van de afsluiters.
- De aansluitpijp aan de gaskant wordt voor verzending in elkaar gezet.
  - ① Om de verbindingpijp met flens hard te solderen, maak de verbindingpijp met flens los van de kogelklep en hardsoldeer de pijp aan de buitenkant van het apparaat.
  - ② Zodra u de verbindingpijp met flens los maakt, dient u de afdichting die is bevestigd aan de andere kant van dit blad te verwijderen en op het flensoppervlak van de kogelklep te plakken om te voorkomen dat er stof in komt.
  - ③ Het koelcircuit is bij verzending afgesloten met een ronde, dichte pakking om te voorkomen dat er gas tussen de flenzen wegglekt. Aangezien niets in deze toestand functioneert, moet u erop letten dat u de dichte pakking vervangt door de holle pakking die is bevestigd bij de pijp-aansluitingen.
  - ④ Veeg, bij het aanbrengen van de holle pakking, het stof van het flensoppervlak en van de pakking. Breng koelmachine-olie (Esterolie, etherolie of alkylbenzeen [kleine hoeveelheid]) aan op beide kanten van de pakking.

[Fig. 8.2.1] (P.3)

- Zorg ervoor op dat de handgreep volledig open is na het ontluichten en het vullen met koelvloeistof. Als u het apparaat in werking stelt met gesloten afsluiter, komt de hoge- of lagedrukkant van het koelcircuit onder een abnormale druk te staan, hetgeen schade kan veroorzaken aan de compressor, de 4-wegklep, enz.
- Bepaal, met behulp van de formule, hoeveel extra koelvloeistof bijgevoerd moet worden en vul de extra koelvloeistof bij via de dienstopening na het voltooien van de pijp-aansluitingswerkzaamheden.
- Draai de dienstopening aan na voltooiing van de werkzaamheden en dop de opening goed af om een gaslek te voorkomen.

[Fig. 8.2.2] (P.3)

- <A> [Kogelklep (lagedrukzijde)]  
<B> [Kogelklep (hogedrukzijde)]  
(Deze figuur toont de klep in volledig geopende toestand.)
- A Klepstang  
[Het kogelventiel is volledig gesloten bij verzending vanaf de fabriek, werkzaamheden aan de pijpen, ontluichten en bijvulling van koelvloeistof. Zorg ervoor op dat de kogelklep volledig open is na voltooiing van de hier genoemde werkzaamheden.]
  - B Stopspie [Voorkomt dat de klepstang over 90° of meer wordt gedraaid.]

- Ⓒ Pakking (accessoire)
- Ⓓ Verbindingspijp (accessoire)  
[Plaats de pakking op de klepflens zodat er geen gas kan lekken. (Torsie bij vastdraaien: 25 N-m (250 kg-cm)) Breng op beide kanten van de pakking koelmachine-olie (Esterolie, etherolie of alkylbenzeen [kleine hoeveelheid].)]
- Ⓔ Open (Operate slowly)
- Ⓕ Dop, koperpakking  
[Verwijder de dop en bedien de klepstang. Zorg ervoor dat de dop in de oude staat wordt teruggebracht na voltooiing van de werkzaamheden. (Torsie bij vastdraaien dop klepstang: 25 N-m (250 kg-cm) of meer)]
- Ⓖ Dienstopening  
[Gebruiken voor ontluchting en bijvullen van aangelegde pijpen. Gebruik een tweezijdige steeksleutel voor het openen en sluiten. Zorg ervoor dat de dop in de oude staat wordt teruggebracht na voltooiing van de werkzaamheden. (Torsie bij vastdraaien dop dienstopening: 14 N-m (140 kg-cm) of meer)]
- Ⓗ Optrompvoer  
[Torsie bij vastdraaien is 120 N-m (1200 kg-cm). Gebruik een tweezijdige steeksleutel voor het openen en sluiten. Breng koelmachine-olie (Esterolie, etherolie of alkylbenzeen [kleine hoeveelheid]) aan op het aanrakingsvlak van de optrompvoer.]
- ① ø19,05
- ② ø25,4 (PQRY-P200)  
ø28,58 (PQRY-P250)
- Ⓚ Zelf aan te schaffen pijpen  
[Sluit de pijp aan op de verbindingspijp door hard te solderen. (Gebruik niet-oxiderend hardsoldeer materiaal.)]
- Ⓘ Dichte pakking
- Ⓜ Holle pakking

Toe te passen torsie bij vastdraaien met momentsleutel:

Buitendiameter koperen pijp (mm)	Torsie bij vastdraaien (N-m) / (kg-cm)
ø6,35	14 tot 18 / 140 tot 180
ø9,52	35 tot 42 / 350 tot 420
ø12,7	50 tot 57,5 / 500 tot 575
ø15,88	75 tot 80 / 750 tot 800
ø19,05	100 tot 140 / 1000 tot 1400

Grootte van aandraaihoek:

Pijpdiameter (mm)	Aandraaihoek (°)
ø6,35, ø9,52	60 tot 90
ø12,7, ø15,88	30 tot 60
ø19,05	20 tot 35

[Fig. 8.2.3] (P.3)

#### Opmerking:

Wanneer u geen momentsleutel heeft kunt u de volgende methode gebruiken:

Wanneer u met een steeksleutel een optrompvoer steeds verder aandraait, kunt u op een gegeven moment een plotselinge toename in de aandraaitorsie voelen. Draai vanaf dit punt de moer over het aantal graden dat in de bovenstaande tabel staat.

#### ⚠ Voorzichtig:

- **Zorg ervoor dat u de verbindingspijp losmaakt van de kogelklep en de pijp buiten het apparaat hardsoldeert.**
  - Wanneer u de pijp hardsoldeert terwijl hij bevestigd zit kan dit de kogelklep verhitten, hetgeen schade aan de klep of gaslekage kan veroorzaken. Het kan eveneens draden binnen het apparaat verbranden.
- **Gebruik (een kleine hoeveelheid) esterolie, etherolie of alkylbenzeen als koelmachine-olie voor de coating van optromp- en flensverbindingen. (R407C-modellen)**
  - De koelmachine-olie zal verslechteren indien deze met een grote hoeveelheid mineraalolie wordt gemengd.
- **Gebruik geen toevoeging voor lekkagedetectie.**

### 8.3. Luchtdichtheidsproef, ontluchting en bijvullen van koelstof

#### ① Luchtdichtheidsproef

De luchtdichtheidsproef dient te worden uitgevoerd met de kogelklep van het buitenapparaat gesloten en breng de verbindingspijpen en het binnenapparaat onder druk via de dienstopening van de kogelklep op het buitenapparaat. (Breng altijd druk aan vanaf de serviceaansluitingen van zowel de hogedrukpomp als de lagedrukpomp.)

#### [Fig. 8.3.1] (P.3)

- |                 |                       |                     |
|-----------------|-----------------------|---------------------|
| Ⓐ Stikstofgas   | Ⓑ Naar binnenapparaat | Ⓒ Systeemanalysator |
| Ⓓ Laag-knop     | Ⓔ Hoog-knop           | Ⓕ Kogelklep         |
| Ⓖ lagedrukpomp  | Ⓖ Hogedrukpomp        | ① Buitenapparaat    |
| Ⓙ Dienstopening |                       |                     |

<R407C-modellen>

De methode voor het uitvoeren van de luchtdichtheidsproef is in essentie gelijk aan die voor R22 modellen. Aangezien de beperkingen een grote invloed hebben op de verslechtering van de koelmachine-olie, dient u zich er altijd aan te houden. Gaslekage veroorzaakt bij niet-azeotropische koelstof (R407C, etc.) bovendien verandering van de samenstelling en verminderde prestaties. Voer de luchtdichtheidsproef daarom zorgvuldig uit.

Procedure voor luchtdichtheidsproef	Beperking
<p>1. Op druk brengen met stikstofgas</p> <p>(1) Wanneer u de druk heeft gebracht op de fabriekswaarde (2,94 MPa) met behulp van stikstofgas, dient u het systeem gedurende één dag te laten staan. Indien de druk niet zakt, is de luchtdichtheid goed.</p> <p>Indien de druk echter wel zakt kunt u, aangezien de plaats van het lek niet bekend is, de volgende bellentest uitvoeren.</p> <p>(2) Nadat u het systeem op de hierboven beschreven manier op druk heeft gebracht, dient u optrompaansluitingen, gesoldeerde aansluitingen, flenzen en andere onderdelen die kunnen lekken te bespuiten met een middel dat bellen kan vormen (Kyuboflex, etc.) en visueel te controleren of er zich ergens bellen vormen.</p> <p>(3) Na de luchtdichtheidsproef, dient u het middel dat bellen kan vormen weg te vegen.</p>	<ul style="list-style-type: none"> <li>• Indien een ontvlambaar gas of lucht (zuurstof) wordt gebruikt voor het op druk brengen, kan het ontvlammen of exploderen.</li> </ul>
<p>2. Op druk brengen met koelstofgas en stikstofgas</p> <p>(1) Nadat u het systeem op een druk van ongeveer 0,2 MPa heeft gebracht, brengt u het op de bedrijfsdruk (2,94 MPa) met behulp van stikstofgas.</p> <p>U dient de druk echter niet in één keer aan te brengen. Tijdens het op druk brengen dient u te stoppen en te controleren of de druk niet zakt.</p> <p>(2) U dient op gaslekken te controleren via controle van optrompaansluitingen, gesoldeerde aansluitingen, flenzen en andere onderdelen die kunnen lekken door gebruik te maken van een elektrische gaslekdetector, compatibel met R407C.</p> <p>(3) Deze test kan worden gebruikt samen met de bellentest voor gaslekken.</p>	<ul style="list-style-type: none"> <li>• Gebruik geen andere koelstof dan die welke staat aangegeven op het apparaat.</li> <li>• Afdichten met gas uit een cilinder zorgt ervoor dat de samenstelling van de koelstof in de cilinder verandert. (R407C-modellen)</li> <li>• Gebruik een drukketer, vuldoos en andere onderdelen die speciaal zijn bedoeld voor R407C. (R407C-modellen)</li> <li>• Een elektrische lekdetector voor R22 kan geen R407C-lekkage detecteren.</li> <li>• Gebruik geen halogeenlamp. (Hierbij kunnen geen lekken worden gedetecteerd.)</li> </ul>

## ② Ontluchting

Ontlucht met afgesloten kogelklep het buitenapparaat en ontlucht zowel de verbindingspijpen als het binnenapparaat via de onderhoudspoort op de kogelklep van het buitenapparaat met behulp van een vacuümpomp. (Breng altijd vacuüm aan vanaf de serviceaansluitingen van zowel de hogedrukpijp als de lagedrukpijp.) Zodra het vacuüm een waarde van 650 Pa [abs] bereikt, dient u nog tenminste één uur duur te gaan met ontluchten.

\* Voer nooit ontluchting uit met behulp van koelstof.

### [Fig. 8.3.2] (P.3)

- Ⓐ Systeemanalysator Ⓑ Laag-knop Ⓒ Hoog-knop  
Ⓓ Kogelklep Ⓔ lagedrukpijp Ⓕ Hogedrukpijp  
Ⓖ Dienstopening Ⓖ 3-wegverbindingsstuk  
Ⓘ Klep Ⓙ Klep Ⓚ Cilinder  
Ⓛ Weegschaal Ⓜ Vacuümpomp

#### Opmerking:

- **Zorg ervoor dat u de juiste hoeveelheid koelvloeistof bijvult. Sluit ook altijd het systeem af met vloeibare koelstof. Teveel of te weinig koelstof zal problemen veroorzaken.**
- **U dient een verdeelventiel, vulslang en andere onderdelen voor de koelstof te gebruiken die staat aangegeven op het apparaat.**
- **Gebruik een gravimeter. (Een exemplaar dat kan meten tot 0,1 kg.)**
- **Gebruik een vacuümpomp met een keerklep voor terugstroming. (R407C-modellen)**  
(Aangeraden vacuümmeter: ROBINAIR 14830A Thermistor Vacuum Gauge)  
**Gebruik ook een vacuümmeter die 0,5 Torr of meer bereikt na 5 minuten in werking te zijn geweest.**

## ③ Bijvullen van koelstof (R407C-modellen)

Aangezien de gebruikte koelstof bij het apparaat niet-azeotropisch is, dient deze in vloeibare toestand te worden bijgevuld. Dientengevolge dient u de vloeibare koelstof, bij het vullen van het apparaat met koelstof vanuit een cilinder zonder sifonpijp, bij te vullen door de cilinder ondersteboven te houden, zoals hieronder wordt getoond. Indien de cilinder een sifonpijp heeft (zoals getoond in de figuur rechts), kan de koelstof worden bijgevuld terwijl de cilinder rechtop staat. Bestudeer daarom de specificaties van de cilinder nauwkeurig. Indien het apparaat wordt bijgevuld met koelstofgas, dient u alle koelstof te vervangen door nieuwe koelstof. Gebruik niet de koelstof die in de cilinder achterblijft.

### [Fig. 8.3.3] (P.3)

## 8.4. Warmte-isolatie van de koelstofpijpen

Zorg voor warmte-isolatie van de koelstofpijpen door de vloeistof- en gaspijpen apart met hittebestendig polyethyleen van voldoende dikte te bedekken en wel zo dat er geen gat zit bij de verbinding tussen het binnenapparaat en het isolatiemateriaal en de isolerende materialen zelf. Wanneer de isolatie niet goed is, ontstaan er mogelijk condensatiedruppels, enz. Geef vooral aandacht aan isolatie van de tussenruimte boven het plafond.

## 9. Bedrading

### 9.1. Voorzichtig

- ① Volg de voorschriften van uw overheidsorgaan voor technische standaards met betrekking tot elektrische apparaten, bedravingsvoorschriften en aanwijzingen van elk elektriciteitsbedrijf.
- ② Bedrading voor de bediening (die vanaf nu transmissieleiding genoemd wordt) moet apart (5 cm of meer) van de voedingskabel worden aangelegd zodat deze niet wordt beïnvloed door elektrische ruis van de voedingskabel (Plaats de transmissieleiding en de voedingskabel niet in dezelfde elektriciteitsbuis.)
- ③ Zorg voor de juiste aarding van het buitenapparaat.
- ④ Geef wat ruimte rond de bedrading van de doos met elektrische onderdelen van de binnen- en buitenapparaten, want deze doos moet soms verwijderd worden bij onderhoudswerkzaamheden.
- ⑤ Verbind de voedingskabel nooit met het aansluitbed van de transmissieleiding. Wanneer u dit doet, branden de elektrische onderdelen door.
- ⑥ Gebruik tweaderige afschermkabels voor de transmissieleiding. Wanneer transmissieleidingen van verschillende systemen verbonden worden met dezelfde meeraderige kabel, veroorzaakt de daaruit voortvloeiende slechte verzending en ontvangst foutieve werking.
- ⑦ Alleen de aangegeven transmissieleidingen moeten worden aangesloten op het aansluitblok voor transmissie naar het buitenapparaat.  
(Transmissieleiding om aangesloten te worden op een binnenapparaat: Aansluitblok TB3 voor een transmissieleiding. Anders: Aansluitblok TB7 voor centrale bediening)  
Bij foutieve aansluiting zal het systeem niet werken.
- ⑧ Wanneer een aansluiting moet worden gemaakt met de hoofdbedienings-eenheid of apparaten van verschillende koelsystemen in groepsverband moeten werken, moet een transmissieleiding voor bediening gelegd worden tussen de buitenapparaten.

### [Fig. 8.4.1] (P.4)

- Ⓐ Staaldraad Ⓑ Pijp  
Ⓒ Olieachtige asfaltmastiek of asfalt Ⓓ Isolatiemateriaal A  
Ⓔ Buitenkant B

Isolatie- materiaal A	Glasvezel + Staaldraad	
	Kleefmiddel + Hittebestendig polyethyleenschuim + K leefband	
Buitenkant B	Binnen	Vinylband
	Open vloer	Waterdichte hennepstof + Verhard asfalt
	Buiten	Waterdichte hennepstof + Zinken plaat + Olieachtige verf

#### Opmerking:

- **Wanneer u een overdekking van polyethyleen gebruikt, is dakbedekking met asfalt niet nodig.**
- **Er hoeft geen warmte-isolatie te worden aangebracht voor elektrische bedrading.**

### [Fig. 8.4.2] (P.4)

- Ⓐ Hogedrukpijp Ⓑ lagedrukpijp Ⓒ Elektrische draad  
Ⓓ Afplakband Ⓔ Isolatiemateriaal

### [Fig. 8.4.3] (P.4)

## Pijpen door muren, vloeren en daken

### [Fig. 8.4.4] (P.4)

- <A> Binnenmuur (verborgen) <B> Buitenmuur  
<C> Buitenmuur (blootgesteld) <D> Vloer (brandvrij maken)  
<E> Pijpkoker op het dak  
<F> Het doordringende deel op brandgrens en grensmuur
- Ⓐ Mof Ⓑ Isolatiemateriaal Ⓒ Bekleding  
Ⓓ Dichtingsmateriaal Ⓔ Band Ⓕ Waterdichte laag  
Ⓖ Mof met rand Ⓖ Bekledingsmateriaal  
Ⓘ Specie of ander onbrandbaar dichtingsmateriaal  
Ⓙ Onbrandbaar isolatiemateriaal

Wanneer een gat met specie wordt gevuld, bedek het doordringende deel met een stalen plaat zodat het isolatiemateriaal niet in elkaar gedruwd wordt. Gebruik voor dit deel onbrandbare materialen voor zowel isolatie als bedekking. (Er dient geen vinyl voor bedekking gebruikt te worden.)

Sluit deze bedieningsleiding aan tussen de aansluitblokken voor centrale bediening. (2-dradige leiding zonder polariteit)

Wanneer apparaten van verschillende koelsystemen samenwerken zonder de aansluiting op de hoofdbedieningseenheid, dient u de invoegklem van de kortsluitverbindingsklem van CN41 van één buitenapparaat naar CN40 te verplaatsen.

- ⑨ De groep wordt ingesteld met behulp van de afstandsbedieningseenheid.
- ⑩ De ongebruikte uitdrukpaten moeten worden afgedicht en de openingen van de koelstofpijpen, waterpijpen, voedingsbron en transmissieleidingen moeten worden afgedicht met kit e.d. als bescherming tegen regen. (Buitenlucht-opstelling)

## 9.2. Bedieningsdoos en aansluitpositie van bedrading

1. Sluit de transmissieleiding voor binnenapparaten aan op het aansluitblok voor de transmissielijn (TB3) of sluit de bedrading tussen buitenapparaten of de bedrading met het centrale besturingssysteem aan op het aansluitblok voor centrale besturing (TB7).  
Wanneer u afgeschermd bedrading gebruikt, dient u de afscherming van de transmissieleiding van het binnenapparaat te aarden via de aardschroef (⊕) en de afscherming van de leiding tussen de buitenapparaten en het centrale besturingssysteem te aarden op de aansluitklem (S) voor de afscherming op het aansluitblok (TB7) van het centrale besturingssysteem. Daarnaast dient, in het geval van een buitenapparaat waarbij de aansluitklem voor de netspanning CN41 is vervangen door CN40, de aansluitklem (S) voor de afscherming van aansluitblok (TB7) van het centrale besturingssysteem ook te worden geaard (⊕).

### [Fig. 9.2.1] (P.4)

- Ⓐ Netvoeding Ⓑ Transmissieleiding

- Leidingbevestigingsplaten (ø27) worden meegeleverd. Leid het netsnoer en de transmissieleidingen door de juiste doordrukopeningen en verwijder vervolgens de afdekking van de doordrukopening aan de onderkant van de aansluitdoos en sluit de draden aan.
- Sluit het netsnoer aan op de bedieningsdoos m.b.v. een kabeldoorvoer die spankrachten kan opvangen (een PG-aansluiting of iets dergelijks).

### 9.3. Bedrading transmissiekabels

#### ① Typen bedieningskabels

- Bedrading transmissiekabels
  - Typen van transmissiekabels: Afschermdraad CVVS of CPEVS
  - Kabeldoorsnede: Meer dan 1,25 mm<sup>2</sup>
  - Maximaal toegestane kabellengte: Minder dan 200 m

#### 2. Afstandsbedieningskabel

Typen afstandsbedieningskabel	2-aderige kabel (zonder afscherming)
Kabeldoorsnede	0,3 tot 1,25 mm <sup>2</sup>
Opmerkingen	Gebruik bij een lengte van meer dan 10 m, een kabel met dezelfde specificaties als (1) Bedrading transmissiekabels.

#### ② Voorbeelden van bedrading

- Naam bedieningseenheid, aanduiding en toegestane aantal bedieningseenheden.

Naam	Code	Toegestane aantal bedieningseenheden
Bedieningseenheid buiten-apparaat	OC	
BC-bedieningseenheid	BC	Eén bedieningseenheid per OC
Bedieningseenheid binnen-apparaat	IC	Twee tot tien bedieningseenheden per OC
Afstandsbedieningseenheid	RC	Maximaal twee per groep

### Voorbeeld van de groepswerking met meerdere buitenapparaten (afschermdraden en adresinstellingen zijn noodzakelijk)

<Voorbeeld van bedrading transmissiekabels>

[Fig. 9.3.1] M-NET-afstandbediening (P.4)

[Fig. 9.3.2] MA-afstandbediening (P.4)

- Ⓐ Groep 1      Ⓑ Groep 3      Ⓒ Groep 5      Ⓓ Afschermdraad      Ⓔ Subafstandsbedieningseenheid  
( ) Adres

<Bedradingsmethode en instellen van adres>

- Zorg ervoor dat afgeschermd bedrading wordt gebruikt voor aansluitingen tussen buitenapparaat (OC) en binnenapparaat (IC), tussen OC en OC, en tussen IC en IC.
  - Gebruik voedingsbedrading om de aansluitklemmen M1 en M2 en aardklem op het aansluitblok voor de transmissielijn (TB3) van elk buitenapparaat (OC) aan te sluiten op aansluitklemmen M1, M2 en S op het transmissieblok van de binnenapparaten (IC).
  - Sluit aansluitklemmen 1 (M1) en 2 (M2) van het transmissiekabelblok van binnenapparaat (IC) met het laatste adres in dezelfde groep aan op aansluitblok van de afstandsbedieningseenheid (RC).
  - Sluit de aansluitklemmen M1, M2 en S op de aansluitblokken (TB7) voor centrale bediening op beide buitenapparaten (OC) op elkaar aan.
  - Verander de jumperklem op de bedieningskaart van CN41 naar CN40 voor slechts een enkel buitenapparaat.
  - Sluit de aansluitklem S op het aansluitblok (TB7) voor centrale bediening van het buitenapparaat (OC) aan op de aardschroef (⊕) in de elektriciteitskast voor het apparaat waarvan de jumperklem in de bovenstaande stap in CN40 is geplaatst.
  - Stel de schakelaar voor de adresinstelling in zoals hieronder wordt getoond.
- \* Als u het adres van het buitenapparaat op 100 wilt instellen, dient u de schakelaar voor het instellen van het adres in te stellen op 50.

Apparaat	Bereik	Instellingsmethode
IC (Hoofd)	01 t/m 50	Stel het laatste adres in in dezelfde groep van binnenapparaten
IC (Ondergeschikt)	01 t/m 50	Stel de adressen in van elk apparaat, anders dan de IC (Hoofd), in de groep van binnenapparaten. IC (Hoofd) moet opeenvolgend zijn
Buitenapparaat	51 t/m 100	Meest recente adres van binnenapparaten in hetzelfde koelsysteem + 50
Aftakingsbedieningseenheid	51 t/m 100	Adres buitenapparaat + 1
M-NET R/C (Hoofd)	101 t/m 150	Adres IC (Hoofd) + 100
M-NET R/C (Ondergeschikt)	151 t/m 200	Adres IC (Hoofd) + 150
MA R/C	–	Niet-vereiste adresinstelling (vereiste Hoofd/Subinstelling)

- Stel meerdere buitenapparaten in als een groep vanaf de afstandsbedieningseenheid (RC) nadat de spanning is ingeschakeld. Zie de installatiehandleiding van de afstandsbedieningseenheid voor meer informatie.

<Toegestane lengte>

#### ① M-NET-afstandbediening

- Grootste lengte via buitenapparaten:  $L_1+L_2+L_3+L_4$  en  $L_1+L_2+L_3+L_5$  en  $L_1+L_2+L_6+L_7 \leq 500$  m (1,25 mm<sup>2</sup> of dikker)
- Grootste lengte transmissiekabel:  $L_1$  en  $L_3+L_4$  en  $L_3+L_5$  en  $L_6$  en  $L_2+L_6$  en  $L_7 \leq 200$  m (1,25 mm<sup>2</sup> of dikker)
- Lengte kabel afstandsbedieningseenheid:  $l_1, l_2, l_3, l_4 \leq 10$  m (0,3 tot 1,25 mm<sup>2</sup>)  
Wanneer de lengte groter is dan 10 m, gebruik dan afschermbedrading van 1,25 mm<sup>2</sup>. De lengte van dit gedeelte ( $L_8$ ) moet worden meegenomen in de berekening van de maximale lengte en de totale lengte.

#### ② MA-afstandbediening

- Grootste lengte via buitenapparaten (M-NET-kabel):  $L_1+L_2+L_3+L_4$  en  $L_1+L_2+L_6+L_7 \leq 500$  m (1,25 mm<sup>2</sup> of dikker)
- Grootste lengte transmissiekabel (M-NET-kabel):  $L_1$  en  $L_3+L_4$  en  $L_6$  en  $L_2+L_6$  en  $L_7 \leq 200$  m (1,25 mm<sup>2</sup> of dikker)
- Lengte kabel afstandsbedieningseenheid:  $m_1$  en  $m_1+m_2+m_3$  en  $m_1+m_2+m_3+m_4 \leq 200$  m (0,3 tot 1,25 mm<sup>2</sup>)

### 9.4. Bedrading van netvoeding en capaciteit van apparatuur

Schematisch diagram voor bedrading (Voorbeeld)

[Fig. 9.4.1] (P.4)

- Ⓐ Draadonderbrekingsschakelaar (Aardlekschakelaar)      Ⓑ Buitenapparaat      Ⓒ BC-bedieningseenheid  
Ⓓ Trekdoos      Ⓔ Binnenapparaat      Ⓕ Beveiligingen voor stroomlekken

#### Draaddikte voor netvoeding en Aan/Uit-capaciteiten

Model		Minimale draaddikte (mm <sup>2</sup> )			Schakelaar (A)		Onderbrekingsschakelaar voor bedrading (NFB)	Aardlekschakelaar
		Hoofdkabel	Aftakking	Aarde	Capaciteit	Zekering		
Buiten-apparaat	P200	4,0	–	4,0	32	32	40 A	30 A 100 mA 0,1 s of minder
	P250	6,0	–	6,0	40	40	40 A	40 A 100 mA 0,1 s of minder
BC-bedieningseenheid								
	Binnenapparaat	1,5	1,5	1,5	16	16	20 A	20 A 30 mA 0,1 s of minder



1. Gebruik voor buiten- en binnenapparaat gescheiden stroomvoorzieningen.
2. Houd bij het aanbrengen van bedrading en verbindingen rekening met de plaatselijke omstandigheden (plaatselijke temperatuur, direct zonlicht, regenwater enzovoort).
3. De aangegeven draadgrootte is het minimum voor metalen bedrading. Het elektriciteits snoer moet 1 orde dikker zijn in verband met voltageverlies. Zorg ervoor dat het voltage van de stroomvoorziening niet meer dan 10 % daalt.
4. De bedrading moet voldoen aan de plaatselijke eisen.
5. De elektriciteits snoeren voor onderdelen van apparaten die buiten worden gebruikt, mogen niet lichter zijn uitgevoerd dan flexibel snoer met polychloropreen omhulsel (ontwerp 246 IEC57).
6. Een schakelaar met een contactonderbreking van minimaal 3 mm in elke pool moet door de airconditionerinstallateur worden geleverd.

#### ⚠ Waarschuwing:

- Zorg ervoor dat de gespecificeerde draden gebruikt worden zodat geen externe kracht uitgeoefend wordt op de klemaansluitingen. Wanneer de aansluitingen niet stevig bevestigd zijn, kan dit verhitting of brand veroorzaken.
- Let er op dat u de juiste soort overstrombeveiligingsschakelaar gebruikt. De geproduceerde overstrom zou namelijk voor een deel uit gelijkstroom kunnen bestaan.

#### ⚠ Voorzichtig:

- Een installatieruimte kan de bevestiging van een aardlekschakelaar vereisen. Wanneer geen aardlekschakelaar is aangebracht, kan dit elektrische schokken veroorzaken.
- Gebruik alleen onderbrekingsschakelaars en zekeringen met de juiste capaciteit. Het gebruik van een zekering, draad en koperdraad met een te grote capaciteit kan storingen van het apparaat of brand veroorzaken.

## 10. Proefdraaien

### 10.1. De volgende verschijnselen vormen geen probleem (noodsituatie)

Verschijnsel	Weergave op afstandsbediening	Oorzaak
Binnenapparaat en BC-bedieningseenheid maken gedurende enige tijd geluid bij de overgang koeling/verwarming.	<b>Normale weergave</b>	Dit is geen probleem aangezien het slechts een selectiegeluid is.
Koeling (verwarming) werk niet bij binnenapparaat.	<b>“Cooling (heating)” knippert</b>	Wanneer meerdere binnenapparaten (maximaal 3) zijn aangesloten op dezelfde groep van de BC-bedieningseenheid, is verwarmen of koelen niet mogelijk terwijl een ander binnenapparaat de tegengestelde operatie uitvoert.
De automatische schoep draait vrij.	<b>Normale weergave</b>	Vanwege de bediening van de automatische schoep kan hij, vanuit de benedenwaartse blaasstand, overgaan naar de horizontale stand bij koeling in het geval dat de benedenwaartse blaasstand gedurende 1 uur plaats heeft gevonden. Bij ontdooien gedurende verwarming, warmte-aanpassing en met thermostaat UIT, gaat hij automatisch naar de horizontale blaasstand.
Ventilatorinstelling verandert gedurende verwarming.	<b>Normale weergave</b>	Bediening bij ultralage snelheid begint wanneer de thermostaat UIT staat. Wanneer de thermostaat AAN staat zorgt lichte lucht er automatisch voor dat er overgegaan wordt naar de instelling door tijd of pijptemperatuur.
Ventilator stopt tijdens verwarming.	<b>Ontdooiweergave</b>	De ventilator moet tijdens ontdooien stoppen.
Ventilator stopt niet terwijl werking stopgezet is.	<b>Niets verlicht</b>	De ventilator moet gedurende 1 minuut na het uitschakelen blijven lopen om achtergebleven warmte af te voeren (alleen bij verwarming).
Ventilator gaat niet aan na inschakelen SW.	<b>Klaar voor verwarming</b>	Ultralage snelheid gedurende 5 minuten nadat SW op AAN staat of totdat pijptemperatuur 35 °C wordt, daarna bediening op lage snelheid gedurende 2 minuten, en dan treedt de ingestelde waarde in werking (Warmteaanpassing).
Buitenapparaat gaat niet aan door knop in te schakelen.	<b>Normale weergave</b>	Wanneer buitenapparaat afgekoeld is en koelvloeistof in rust is, dan vindt er gedurende 35 minuten opwarming plaats om de compressor te verwarmen. Alleen de ventilator loopt gedurende deze periode.
“HO”-indicator brandt op afstandsbediening van binnenapparaat voor ongeveer twee minuten wanneer algemene netvoeding wordt AAN gezet.	<b>“HO” knippert</b>	Systeem wordt bestuurd. Gebruik de afstandsbediening weer zodra “HO” verdwijnt.
Afwateringspomp stopt niet als het apparaat wordt uitgeschakeld.	<b>Geen licht</b>	Nadat het koelen is gestopt, gaat het apparaat gedurende 3 minuten door met het gebruik van de afwateringspomp en houdt dan op.
Afwateringspomp houdt niet op terwijl het apparaat al is uitgeschakeld.		Het apparaat gaat door met het gebruik van de afwateringspomp wanneer afwatering nodig is, zelfs gedurende een stop.

1. Instruções de segurança .....	58	7. Instalação da tubagem de refrigerante .....	61
1.1. Antes da instalação e do trabalho eléctrico .....	58	7.1. Cuidado .....	61
1.2. Precauções com dispositivos que utilizem o refrigerante R407C .....	58	7.2. Sistema de tubagem de refrigerante .....	62
1.3. Antes da instalação .....	59	8. Carregamento adicional de refrigerante .....	62
1.4. Antes da instalação (retirada) - trabalho eléctrico .....	59	8.1. Cálculo do carregamento adicional de refrigerante .....	62
1.5. Antes de efectuar o primeiro teste de funcionamento .....	59	8.2. Cuidado com a ligação da tubagem/funcionamento da válvula .....	62
2. Combinação com as unidades interiores .....	60	8.3. Teste de estanquicidade ao ar, evacuação e carga de refrigerante .....	63
3. Confirmação das peças fornecidas .....	60	8.4. Isolamento térmico da tubagem de refrigerante .....	64
4. Método de elevação .....	60	9. Cablagem .....	64
5. Instalação da unidade e área de manutenção .....	60	9.1. Cuidado .....	64
5.1. Instalação .....	60	9.2. Caixa de controlo e posição de ligação da cablagem .....	64
5.2. Área de manutenção .....	60	9.3. Cablagem de cabos de transmissão .....	64
6. Instalação da tubagem de água .....	60	9.4. Cablagem da corrente principal e capacidade do equipamento .....	65
6.1. Precauções durante a instalação .....	60	10. Teste de funcionamento .....	66
6.2. Instalação do isolamento .....	61	10.1. Os seguintes fenómenos não constituem avaria (emergência) .....	66
6.3. Tratamento e controlo de qualidade da água .....	61		
6.4. Interligação da bomba .....	61		

## 1. Instruções de segurança

### 1.1. Antes da instalação e do trabalho eléctrico

- ▶ Antes de instalar a unidade, leia atentamente as “Instruções de segurança”.
- ▶ As “Instruções de segurança” referem aspectos de grande importância relativos à segurança. Observe-os.

#### Símbolos utilizados no texto


##### **Aviso:**


Descreve as precauções a observar para evitar riscos de ferimentos ou morte ao utilizador.


##### **Cuidado:**


Descreve as precauções a tomar para evitar danificar a unidade.

#### Símbolos utilizados nas ilustrações

 : Indica uma acção a ser evitada.

 : Indica que devem ser observadas instruções importantes.

 : Indica uma peça que deve ser ligada à terra.

 : Perigo de choques eléctricos. (Este símbolo encontra-se afixado no rótulo da unidade principal.) <Cor: amarela>

##### **Aviso:**

**Leia cuidadosamente os rótulos afixados na unidade principal.**

##### **Aviso:**

- **Peça ao seu concessionário ou a um electricista qualificado que instale o ar condicionado.**
  - A deficiente instalação levada a cabo pelo utilizador poderá dar origem a fugas de água, choques eléctricos ou incêndio.
- **Instale a unidade num local que possa suportar o seu peso.**
  - Uma resistência insuficiente poderá fazer com que a unidade caia, provocando ferimentos.
- **Utilize os cabos eléctricos indicados e efectue as ligações com segurança de forma que a força exterior do cabo não seja aplicada nos terminais.**
  - A ligação e aperto inadequados poderão ocasionar formação de calor e provocar um incêndio.
- **Prepare para chuva e outras formas de humidade e tremores de terra, e instale a unidade no local especificado.**
  - Uma instalação imprópria pode derrubar a unidade e provocar ferimentos.
- **Utilize sempre um filtro e outros acessórios especificados pela Mitsubishi Electric.**
  - Peça a um electricista qualificado que proceda à instalação dos acessórios. A sua deficiente instalação poderá dar origem a fugas de água, choques eléctricos ou incêndio.
- **Nunca proceda à reparação da unidade. Caso o ar condicionado tenha de ser reparado, consulte o seu concessionário.**
  - Se a unidade for mal reparada, poderão ocorrer fugas de água, choques eléctricos ou incêndio.
- **Caso se verifiquem fugas de gás de refrigeração durante as operações de instalação, proceda ao arejamento do compartimento.**
  - Se o gás refrigerante entrar em contacto com uma chama, liberar-se-ão gases tóxicos.

- **Instale o ar condicionado de acordo com o presente Manual de instruções.**
  - Se a unidade for mal instalada, poderão ocorrer fugas de água, choques eléctricos ou incêndio.
- **Peça a um electricista qualificado que proceda a todos os trabalhos de electricidade, em conformidade com as “Normas de Engenharia de Aparelhagem Eléctrica” e as “Regulamentações sobre Cablagem de Interior” e com as instruções do presente manual, utilizando sempre um circuito especial.**
  - Caso a capacidade da fonte de energia seja inadequada ou a instalação eléctrica seja mal executada, poderão ocorrer choques eléctricos ou incêndio.
- **Instale com segurança a tampa (painel) do terminal da unidade exterior.**
  - Se a tampa (painel) do terminal ficar mal instalada, poderá deixar passar poeiras ou água para a unidade exterior e provocar incêndios ou choques eléctricos.
- **Ao instalar e deslocar o ar condicionado para outro local, encha-o unicamente com refrigerante R407C, especificado na unidade.**
  - Se misturar um refrigerante diferente ou ar com o refrigerante original, poderá provocar o mau funcionamento do ciclo de refrigeração, além de se arriscar a danificar a unidade.
- **Se instalar o ar condicionado num compartimento pequeno, deverá tirar medidas por forma a evitar que a concentração do refrigerante exceda o limite de segurança, mesmo que ocorram fugas de refrigerante.**
  - Informe-se junto do seu concessionário acerca das medidas adequadas para evitar exceder o referido limite. Caso se verifiquem fugas de refrigerante e a conseqüente ultrapassagem do limite de segurança, corre o risco de provocar falta de oxigénio no compartimento.
- **Sempre que retirar e reinstalar o ar condicionado, consulte o seu concessionário ou um técnico qualificado.**
  - Se instalar mal o ar condicionado, poderá dar origem a fugas de água, choques eléctricos ou um incêndio.
- **Após a instalação, certifique-se de que não existem fugas de gás refrigerante.**
  - Se houver fugas de gás refrigerante e estas forem expostas a um aquecedor com ventilador, um aquecedor, forno ou outra fonte de calor, poder-se-ão formar gases tóxicos.
- **Não refaça nem altere as programações dos dispositivos de segurança.**
  - Se o interruptor de pressão, o interruptor térmico ou outro dispositivo de protecção for eliminado e funcionar à força, ou se utilizar outras peças que não as indicadas pela Mitsubishi Electric, poderá provocar um incêndio ou explosão.
- **Para se desfazer deste produto, consulte o seu vendedor.**
- **O técnico do sistema e de instalação deverá assegurar segurança contra fugas de acordo com os regulamentos locais ou normas.**
  - Seguir as normas pode ser aplicável se os regulamentos locais não estiverem disponíveis.
- **Tenha especial atenção com o local, como a base, etc. onde o gás de refrigeração pode ficar, visto que a refrigeração é mais pesada que o ar.**

### 1.2. Precauções com dispositivos que utilizem o refrigerante R407C

##### **Cuidado:**

- **Não utilize a tubagem de refrigeração existente.**
  - O refrigerante e o óleo de refrigeração precedentes da tubagem já existente contêm uma grande quantidade de cloro, podendo provocar a deterioração do óleo de refrigeração da nova unidade.

- **Utilize tubagem de refrigerante feita em cobre de fósforo desoxidado e tubagens de liga em cobre sem costura e tubos. Além disso, é preciso que as superfícies interna e externa dos tubos estejam limpas e sem enxofre, óxidos, poeira/sujidade, partículas de raspagem, óleos, humidade ou quaisquer outros contaminantes perigosos.**
  - A presença de contaminantes no interior da tubagem de refrigeração pode causar a deterioração do óleo residual refrigerante.
- **Guarde a tubagem a ser utilizada durante a instalação ao abrigo das intempéries e com ambas as extremidades tapadas até ao momento de serem soldadas. (Guarde os cotovelos e outras juntas num saco de plástico.)**
  - Se entrar poeira, sujidade ou água para o ciclo do refrigerante, o óleo poderá deteriorar-se e danificar o compressor.
- **Utilize óleo de éster, óleo de éter ou alquilbenzeno (pequenas quantidades) como óleo de refrigerador para revestir as ligações de aba saliente e de flange.**
  - O óleo de refrigerador degrada-se se for misturado com uma grande quantidade de óleo mineral.
- **Utilize refrigerante líquido para encher o sistema.**
  - Se utilizar gás refrigerante para fechar o sistema, a composição do refrigerante no cilindro alterar-se-á, podendo levar à diminuição do rendimento.
- **Utilize unicamente refrigerante R407C.**
  - Se utilizar qualquer outro refrigerante (R22, etc.), o cloro do refrigerante poderá deteriorar o óleo de refrigeração.
- **Utilize uma bomba de vácuo com uma válvula de retenção de fluxo inverso.**
  - O óleo da bomba de vácuo poderá retroceder para o ciclo do refrigerante e fazer com que o óleo de refrigeração se deteriore.
- **Não utilize as seguintes ferramentas normalmente empregues com os refrigerantes tradicionais. (Diversos instrumentos de medida, tubo flexível de carga, detector de fugas de gás, válvula de retenção de fluxo inverso, base de carga do refrigerante, equipamento de recuperação de refrigerante.)**
  - Se o refrigerante convencional e o óleo refrigerante forem misturados com o R407C, poderá deteriorar o refrigerante.
  - Se misturar água no R407C, poderá deteriorar o refrigerante.
  - Uma vez que o R407C não contém cloro, os detectores de fugas de gás dos refrigerantes convencionais não apresentarão qualquer reacção na sua presença.
- **Não utilize um cilindro de carga.**
  - A utilização de um cilindro de carga pode causar a deterioração do refrigerante.
- **Seja muito cuidadoso ao utilizar as ferramentas.**
  - Se deixar entrar poeiras, sujidade ou água para o ciclo do refrigerante, este poder-se-á deteriorar.

### 1.3. Antes da instalação

#### ⚠ Cuidado:

- **Não instale a unidade em locais onde possam ocorrer fugas de gás combustível.**
  - Se ocorrerem fugas de gás e este se acumular junto à unidade, poderá provocar uma explosão.
- **Não utilize o ar condicionado em compartimentos onde permaneçam alimentos, animais domésticos, plantas, instrumentos de precisão ou obras de arte.**
  - A qualidade dos alimentos, etc. poder-se-á deteriorar.
- **Não utilize ar condicionado em ambientes especiais.**
  - O óleo, vapor e os fumos sulfúricos, etc. poderão diminuir significativamente o rendimento do ar condicionado ou danificar as suas peças.
- **Quando instalar a unidade num hospital, estação de comunicações ou num local semelhante, tenha o cuidado de instalar protecção suficiente contra as interferências.**
  - O equipamento inversor, gerador de energia privado, equipamento médico de alta frequência ou equipamento de comunicação via rádio poderão provocar perturbações no funcionamento do ar condicionado, ou mesmo uma avaria. Por seu turno, o ar condicionado poderá afectar esse equipamento ao criar interferências que perturbem o tratamento médico ou a transmissão de imagens.
- **Não instale a unidade numa estrutura que possa provocar fugas.**
  - Se a humidade ambiente do compartimento exceder 80 % ou se o tubo de drenagem estiver obstruído, poderá ocorrer condensação na unidade interior. Se for necessário, proceda a operações de recolha de drenagem juntamente com a unidade exterior.

### 1.4. Antes da instalação (retirada) - trabalho eléctrico

#### ⚠ Cuidado:

- **Ligue a unidade à terra.**
  - Nunca ligue o fio de terra à tubagem de gás ou de água, haste de pára-raios ou linhas de terra telefónicas. A deficiente ligação à terra poderá provocar a ocorrência de choques eléctricos.
- **A fase invertida nas linhas L (L1, L2, L3) pode ser detectada (Coord. do erro: 4103), mas a fase invertida das linhas L e da linha N pode não ser detectada.**
  - Algumas partes eléctricas poderão ser danificadas quando a energia é fornecida sob má ligação eléctrica.
- **Instale o cabo eléctrico de forma que este não fique sujeito a tensões.**
  - A tensão poderá partir o cabo, provocar a formação de calor e consequentemente um incêndio.
- **Se for necessário, instale um disjuntor de fugas de corrente.**
  - Se não estiver instalado um disjuntor de fugas de corrente poderão ocorrer choques eléctricos.
- **Utilize cabos eléctricos de capacidade e potência nominal suficientes.**
  - Os cabos muito pequenos poderão ocasionar fugas de corrente, gerar calor e provocar um incêndio.
- **Utilize unicamente um disjuntor ou fusível com a capacidade indicada.**
  - Um fusível ou disjuntor de capacidade mais elevada ou um fio eléctrico de aço ou cobre poderão provocar uma avaria geral da unidade ou um incêndio.
- **Não lave as unidades do ar condicionado.**
  - Ao lavá-las poderá apanhar um choque eléctrico.
- **Certifique-se de que a base de instalação não está danificada pelo uso excessivo.**
  - Se não resolver este problema, a unidade poderá cair e provocar ferimentos pessoais ou danos graves no equipamento.
- **Instale a tubagem de drenagem de acordo com as indicações do presente Manual, a fim de garantir uma drenagem adequada. Proceda ao isolamento térmico da tubagem para evitar formação de condensação.**
  - Uma tubagem de drenagem deficiente poderá dar origem a fugas e danificar a mobília e outros haveres.
- **Ao proceder ao transporte, faça-o com muito cuidado.**
  - Uma pessoa só é incapaz de transportar o produto, caso este pese mais de 20 kg.
  - Alguns produtos utilizam cintas PP para embalagem. Nunca utilize estas cintas como meio de transporte. É perigoso.
  - Quando transportar a unidade de aquecimento, etc., pelos parafusos de suspensão, apoie-a nos quatro pontos. Se esta estiver apoiada em três pontos ou menos, esta fica instável quando é colocada em baixo e pode cair.
- **Elimine os materiais de embalagem segundo as normas de segurança.**
  - Os materiais de embalagem, como por exemplo pregos e outras peças de metal ou de madeira, poderão provocar golpes ou outros ferimentos.
  - Rasgue e deite fora sacos de plástico de embalagem, de forma que as crianças não possam brincar com eles; caso contrário, correm o risco de asfixia.

### 1.5. Antes de efectuar o primeiro teste de funcionamento

#### ⚠ Cuidado:

- **Ligue a electricidade pelo menos 12 horas antes de dar início à operação.**
  - Se começar a operação imediatamente depois de ligar o interruptor principal poderá danificar seriamente peças internas. Mantenha o interruptor ligado durante a estação operacional.
- **Não toque nos interruptores com os dedos molhados.**
  - Se tocar num interruptor com os dedos molhados poderá apanhar um choque eléctrico.
- **Não toque na tubagem de refrigeração durante e imediatamente após o seu funcionamento.**
  - No decorrer e imediatamente após o seu funcionamento, as tubagens de refrigeração poderão estar quentes ou frias, consoante o local de passagem do respectivo fluxo - através da tubagem de refrigeração, do compressor e outras peças do ciclo de refrigeração. Poderá sofrer queimaduras provocadas pelo calor ou pelo frio excessivos.
- **Não utilize o ar condicionado com os painéis e resguardos retirados.**
  - As peças rotativas, quentes ou em alta voltagem poderão dar origem a ferimentos.
- **Não desligue imediatamente a electricidade depois de terminar a operação.**
  - Aguarde sempre pelo menos cinco minutos antes de desligar a electricidade. Caso contrário, poderão ocorrer fugas de água e problemas.
- **Não toque na superfície do compressor quando efectuar algum serviço.**
  - Se a unidade estiver ligada à corrente e não estiver em funcionamento, o aquecimento no compressor está em funcionamento.

## 2. Combinação com as unidades interiores

Modelo	PQRY-P200YEM-A		PQRY-P250YEM-A
Nível de ruído	51 dB <A>		52 dB <A>
Peso líquido	270 kg		280 kg
Pressão permitida	HP: 2,94 MPa, LP: 1,6 MPa		
Refrigerante	R407C: 7,5 kg		R407C: 8,5 kg
Unidades interiores	Capacidade total	50 ~ 150 %	
	Modelo / Quantidade	20 ~ 200 / 1 ~ 15	20 ~ 250 / 1 ~ 16
Temperatura de operação	Temperatura da água: 10°C ~ 45°C Nota.1		

Nota 1. Quando a capacidade total das unidades interiores exceder os 130% da capacidade das unidades de aquecimento, o limite de temperatura da água circulante é de 15°C ~ 45°C.

## 3. Confirmação das peças fornecidas

- |   |                                     |  |
|---|-------------------------------------|--|
| ① Parafusos de suspensão M12 × 4                              | ② Placa de montagem da cablagem × 1 | ③ Parafuso de rosca M4 × 2                     |
| ④ Tubo de ligação × 1 (O tubo de ligação é fixado à unidade.) |                                     | ⑤ Embalagem (ø interno: 23, ø externo: 35) × 1 |
| ⑥ Casquilho × 1   |                                     |  |

## 4. Método de elevação

[Fig. 4.0.1] (P.2)

### ⚠ Cuidado:

Tenha muito cuidado quando transportar o produto.

- Se o produto pesar mais de 20 kg, não deve ser transportado só por uma pessoa.
- Utilizam-se bandas de PP para embalar alguns produtos. Como são perigosas, não as utilize como meio de transporte.
- Rasgue e deite fora o saco plástico de embalagem, de forma a que as crianças não possam brincar com ele; caso contrário, correm o risco de asfixia.
- Ao transportar a unidade térmica, etc., pelos parafusos de asas, apoie-a em quatro pontos. Se for apoiada apenas em três pontos ou menos, tornar-se-á instável quando for colocada sobre uma superfície e poderá cair.

## 5. Instalação da unidade e área de manutenção

### 5.1. Instalação

- Utilizando os orifícios de fixação abaixo ilustrados, aparafuse bem a unidade à base.

[Fig. 5.1.1] (P.2)

- |                    |                               |
|--------------------|-------------------------------|
| Ⓐ Unidade térmica  | ⓑ 4-ø14 (orifício de fixação) |
| ⓒ (Vista superior) |                               |

#### Bases e anti-vibração

- Certifique-se de que instala a unidade num local suficientemente forte para suportar o respectivo peso. Se a base estiver instável, reforce-a com uma base de cimento.
- A unidade deverá ser fixada numa superfície nivelada. Utilize um nível para verificar o nivelamento após a instalação.
- As almofadas anti-vibração deverão ser colocadas sob a base da unidade.
- Se a unidade for instalada perto de um compartimento onde o ruído constitua um problema, recomenda-se a utilização de um suporte anti-vibração na base da unidade.

[Fig. 5.1.2] (P.2)

- |                          |                   |
|--------------------------|-------------------|
| ⓓ Almofada anti-vibração | ⓔ Base em cimento |
|--------------------------|-------------------|

### ⚠ Aviso:

- **Instale a unidade num local suficientemente sólido para suportar o respectivo peso. Qualquer perda de solidez pode provocar a queda da unidade e causar ferimentos pessoais.**
- **Execute o trabalho de instalação de modo a proteger a unidade de terremotos. Qualquer deficiência de instalação pode provocar a queda da unidade e causar ferimentos pessoais.**

### 5.2. Área de manutenção

- Após a instalação, deixe livre as seguintes áreas de manutenção (Todos os serviços podem ser efectuados a partir da parte frontal da unidade)

[Fig. 5.2.1] (P.2)

- |  |
|--|
| Ⓐ Área para a tubagem (para a tubagem da esquerda) |
| Ⓑ Unidade térmica                                  |
| ⓒ Área de manutenção (parte dianteira)             |
| ⓓ (Vista superior)                                 |

[Fig. 5.2.2] (P.2)

- |  |                   |
|--|-------------------|
| Ⓔ Área para a tubagem (para a tubagem superior)    |                   |
| ⓓ Área para a tubagem (para a tubagem da esquerda) |                   |
| ⓔ Unidade térmica                                  | ⓕ (Vista frontal) |

## 6. Instalação da tubagem de água

- A tubagem da série WR2 Multi Cidades é semelhante às outras tubagens de ar condicionado. Contudo, respeite as condições seguintes durante a instalação.

### 6.1. Precauções durante a instalação

- Utilize o método de retorno inverso para garantir a devida resistência da tubagem a cada unidade.
- Para garantir uma fácil manutenção, inspecção e substituição da unidade, utilize uma união, válvula, etc. adequadas na porta de entrada e de saída de água. Além disso, certifique-se de que é instalado um filtro no tubo de entrada da água. (De modo a manter a unidade térmica, é necessária a utilização de um filtro na entrada da água em circulação.)  
\* No diagrama abaixo, é mostrado um exemplo da instalação da unidade térmica.
- Instale uma saída de ar na tubagem de água. Depois do envio de água através da tubagem, certifique-se de que é retirado o ar em excesso.

- Poderá ocorrer a formação de água comprimida nas secções de baixa temperatura da unidade térmica. Utilize um tubo de drenagem ligado à válvula de drenagem na base da unidade, por forma a drenar a água.
- Existe um tampão de saída de água no centro da entrada de água do permutador de calor, no meio da unidade. Utilize-o para manutenção, etc. Além disso, não permita que nenhum dos componentes eléctricos da unidade (tais como a bobina da válvula solenóide ou a fonte de alimentação do compressor) se molhem.
- Instale uma válvula de retenção do contrafluxo na bomba e uma união flexível para evitar a vibração em excesso.
- Utilize uma manga para proteger a tubagem nos locais em que esta passa numa parede.
- Utilize acessórios metálicos para fixar os tubos e instale-os de modo a que tenham o máximo de protecção contra quebras e dobras.
- Não confunda as válvulas de entrada e de saída de água.

- Esta unidade não está equipada com qualquer calefactor para evitar a congelação dentro dos tubos. Quando o fluxo de água for interrompido em ambientes de temperatura reduzida, retire a água dos tubos.
- Os furos de separação não utilizados devem ser fechados e as aberturas dos tubos de refrigerante, tubos da água, dos fios de transmissão e fornecimento de energia devem ser tapados com massa consistente ou outro produto para proteger da chuva. (construção)

#### Exemplo da instalação da unidade térmica (utilizando tubagem à esquerda)

[Fig. 6.1.1] (P.2)

- |                              |                    |
|------------------------------|--------------------|
| Ⓐ Tubo de circulação da água | Ⓑ Válvula fechada  |
| Ⓒ Válvula fechada            | Ⓓ Saída da água    |
| Ⓔ Tubagem do refrigerante    | Ⓕ Filtro tipo Y    |
| Ⓖ Entrada da água            | Ⓗ Tubo de drenagem |

## 6.2. Instalação do isolamento

Com a tubagem da série WR2 Multi Cidades, desde que a amplitude térmica da água em circulação seja mantida a temperaturas médias durante todo o ano (30°C no Verão e 20°C no Inverno), não existe qualquer necessidade de isolar ou proteger de qualquer outra forma as tubagens interiores da exposição. Deverá utilizar algum tipo de isolamento nas seguintes situações:

- em qualquer tubagem exterior;
- em tubagens interiores em regiões de climas frios, em que os tubos congelados constituem um problema;
- quando o ar proveniente do exterior leva à formação de condensação na tubagem;
- em qualquer tubagem de drenagem.

## 6.3. Tratamento e controlo de qualidade da água

Para preservar a qualidade da água, utilize a torre de refrigeração fechada para a série WR2. Quando a qualidade da água em circulação é fraca, o permutador de calor da água pode desenvolver escamas, levando a uma redução da potência de permutação do calor e a uma possível corrosão do permutador de calor. Preste muita atenção ao tratamento e ao controlo da qualidade da água quando instalar o sistema de circulação de água.

- Remoção de objectos estranhos ou impurezas dentro dos tubos. Durante a instalação, preste atenção para que objectos estranhos, nomeadamente fragmentos de solda, partículas de vedante ou ferrugem, não entrem para os tubos.
- Tratamento da qualidade da água
  - ① Dependendo da qualidade da água de baixa temperatura utilizada no aparelho de ar condicionado, as tubagens em cobre do permutador de calor podem sofrer corrosão. Recomendamos um tratamento regular da qualidade da água. Os sistemas de circulação de água fria que utilizam tanques de armazenamento de calor abertos são particularmente susceptíveis de serem corroídos.

#### ② Norma de qualidade da água

Itens		Valores Standard
Itens standard	PH (25°C)	7,0 ~ 8,0
	Condutividade eléctrica (25°C) ( $\mu$ s/cm)	300 ou menos
	lão de Cloro Cl <sup>-</sup> (mg/l)	50 ou menos
	lão de Sulfato SO <sub>4</sub> <sup>2-</sup> (mg/l)	50 ou menos
	M-alcalinidade CaCO <sub>3</sub> (mg/l)	50 ou menos
	Dureza Total CaCO <sub>3</sub> (mg/l)	70 ou menos
Itens de referência Nota. 2	Ferro Fe (mg/l)	1,0 ou menos
	lão de Enxofre S <sup>2-</sup> (mg/l)	Não detectado
	lão de Amónio NH <sub>4</sub> <sup>+</sup> (mg/l)	Não detectado
	Sílica SiO <sub>2</sub> (mg/l)	30 ou menos

Nota. 2 Pensa-se claramente que o componente dos itens de referência é perigoso, no entanto, a relação quantitativa entre o conteúdo e o perigo ainda não está esclarecida. Por isso, estes estão listados como itens de referência.

- ③ Informe-se com um especialista em controlo da qualidade da água relativamente aos métodos de controlo da qualidade da água e aos cálculos de qualidade da água antes de utilizar soluções anti-corrosão para gestão da qualidade da água.
- ④ Quando substituir um aparelho de ar condicionado previamente instalado (mesmo quando só pretender substituir o permutador de calor), efectue antes de mais uma análise à qualidade da água e verifique a existência de uma possível corrosão. A corrosão pode dar-se em sistemas de água fria, mesmo que não tenham havido sinais anteriores de corrosão. Se o nível de qualidade da água tiver decaído, regule a qualidade da água suficientemente antes de substituir a unidade.

## 6.4. Interligação da bomba

A unidade térmica poderá danificar-se caso seja activada sem qualquer água a circular pelos tubos.

Certifique-se de que o funcionamento da unidade e a bomba do circuito da água estão interligadas. Utilize os blocos terminais de interligação (TB8-3, 4) que se encontram na unidade. Em caso de uma ligação do sinal de circuito de interligação da bomba para o TB8-3, 4, retire o fio de curto-circuito. De igual modo, para evitar uma falsa detecção de erro, resultante de uma má ligação na válvula de pressão 63PW, utilize uma corrente baixa de 5 mA ou menos.

[Fig. 6.4.1] (P.2)

- Ⓐ Fio de curto-circuito (Ligado antes da expedição do fabricante).
- Ⓑ Ligação do circuito de interligação da bomba

## 7. Instalação da tubagem de refrigerante

A série WR2 Multi Cidades é constituída por um sistema de derivação em que a tubagem de refrigerante da unidade exterior é derivada no controlador BC e ligada a cada unidade interior.

O método de ligação adaptado consiste numa ligação de flange para tubos de baixa pressão e numa ligação de alargamento para tubos de alta pressão entre a unidade exterior e o controlador BC, e numa ligação de alargamento entre o controlador BC e a unidade interior. A ligação por soldadura é empregada para o conjunto de tubos de comunicação e o conjunto de tubos de derivação.

### ⚠ Aviso:

**Tenha sempre muito cuidado para evitar fugas de gás refrigerante (R407C) enquanto manipula fogo ou chamas. Se o gás refrigerante entrar em contacto com a chama de qualquer fonte, como a de um forno a gás, apaga-se e gera gás venenoso que pode envenenar. Nunca solde num lugar não ventilado. Após a instalação da tubagem de refrigerante, verifique sempre se há fugas de gás.**

### 7.1. Cuidado

- ① Utilize os seguintes materiais para instalação da tubagem de refrigerante.
  - Material: Utilize tubagem de refrigerante feita em cobre de fósforo desoxidado. Além disso, certifique-se de que as superfícies interna e externa dos tubos estão limpas e livres de enxofre perigosos, óxidos, pó/sujidade, partículas de aparas, óleos, humidade, ou quaisquer outros contaminantes. (Para os modelos R407C)
- ② A tubagem à venda no comércio contém muitas vezes poeira e outras matérias. Limpe-a sempre, insuflando-lhe um gás seco inerte.

- ③ Tenha cuidado para evitar a entrada de poeira, água ou outros contaminantes na tubagem durante a instalação.
- ④ Reduza o mais possível o número de porções de curvas e descreva sempre um raio o mais largo possível.
- ⑤ Observe sempre as restrições inerentes à tubagem de refrigerante (tais como o comprimento nominal, a diferença entre altas e baixas pressões e o diâmetro da tubagem). Caso contrário, pode haver uma avaria do equipamento ou uma diminuição da capacidade de aquecimento/arrefecimento.
- ⑥ A série WR2 Multi Cidades parará por qualquer anomalia devida a arrefecimento excessivo ou insuficiente. Nessa altura, carregue sempre a unidade adequadamente. Aquando da manutenção, verifique sempre as notas relativas ao comprimento do tubo e ao volume do refrigerante adicional nos dois locais, a tabela de cálculo do volume de refrigerante nas traseiras do painel de serviço e a secção de refrigerante adicional nos rótulos para o número combinado de unidades interiores.
- ⑦ Utilize refrigerante líquido para encher o sistema.
- ⑧ Nunca utilize refrigerante para efectuar uma purga de ar. Evacue-o sempre com uma bomba de vácuo.
- ⑨ Isole sempre adequadamente a tubagem. Se a isolamento for insuficiente, afectará a capacidade do aquecimento/arrefecimento, goteja água da condensação e pode haver outros problemas.

- ⑩ Quando liga os tubos do refrigerante, certifique-se de que a válvula de esfera da unidade de aquecimento está completamente fechada (configuração de fábrica) e não a accione até que os tubos do refrigerante do aquecimento e das unidades interiores tenham sido ligados devidamente, tenha sido feito um teste de fuga de refrigerante e tenha sido completado o processo de evacuação.
- ⑪ Utilize sempre material de soldadura não oxidante para soldar as peças. Caso contrário, poderá entupir ou danificar a unidade compressora.
- ⑫ **Nunca proceda a trabalhos de ligação de tubagem da unidade exterior quando chover.**

#### ⚠ Aviso:

Quando instalar ou deslocar a unidade, nunca misture nada para além do refrigerante especificado na unidade.

- A mistura de gás refrigerante, ar, etc. pode conduzir ao mau funcionamento do ciclo de refrigeração e provocar danos graves.

#### ⚠ Cuidado:

- **Utilize uma bomba de vácuo com válvula de retenção de fluxo inverso. (Para os modelos R407C)**
  - Se a bomba de vácuo não estiver dotada de uma válvula de retenção do fluxo inverso, o óleo da bomba poderá retroceder para o ciclo do refrigerante e provocar a deterioração do óleo refrigerante e outros problemas.
- **Não utilize as seguintes ferramentas normalmente empregues com os refrigerantes convencionais. (Para os modelos R407C)** (Manómetro, tubo flexível de carga, detector de fugas de gás, válvula de controlo, base de carga do refrigerante, manómetro de vácuo, equipamento de recuperação de refrigerante)
  - Se misturar o refrigerante convencional com óleo refrigerante, poderá deteriorar o óleo refrigerante.
  - Se misturar água poderá deteriorar o óleo refrigerante.
  - Uma vez que o R407C não contém cloro, os detectores de fugas de gás dos refrigerantes convencionais não apresentarão qualquer reacção na sua presença.

- **Seja muito cuidadoso ao utilizar as ferramentas. (Para os modelos R407C)**
  - Se deixar entrar poeiras, sujidade ou água para o ciclo do refrigerante, este poderá deteriorar-se.
- **Nunca utilize a tubagem de refrigerante existente. (Para os modelos R407C)**
  - Uma grande quantidade de cloro no refrigerante convencional e de óleo de refrigeração na tubagem existente deteriora o novo refrigerante.
- **Guarde a tubagem a utilizar durante a instalação no interior e mantenha ambas as extremidades da mesma vedadas até à soldadura.**
  - Se entrar poeira, lixo ou água no ciclo refrigerante, o óleo deteriora-se e o compressor pode avariar.
- **Não utilize um cilindro de carga. (Para os modelos R407C)**
  - A utilização de um cilindro de carga pode causar a deterioração do refrigerante.
- **Não utilize detergentes especiais para lavar a tubagem.**

## 7.2. Sistema de tubagem de refrigerante

Exemplos de ligação

[Fig. 7.2.1] (P.3)

- |   |   |   |                             |
|---|---|---|-----------------------------|
| Ⓐ | Tubo de alta pressão                        | Ⓑ | Tubo de baixa pressão       |
| Ⓒ | Ligar unidade de aquecimento/controlador BC | Ⓔ | Linha de líquido            |
| Ⓓ | Capacidade total das unidades interiores    | Ⓕ | Número do modelo            |
| Ⓕ | Linha de gás                                | Ⓖ | Unidade interior (20-140)   |
| Ⓖ | Controlador BC                              | Ⓗ | Unidade interior (200, 250) |

## 8. Carregamento adicional de refrigerante

A unidade de aquecimento é cheia com refrigerante quando sai de fábrica. Dado que este carregamento não contém a quantidade necessária para toda a tubagem, será necessário um carregamento adicional, a efectuar no local, para cada linha de refrigerante. Para que no futuro o serviço de manutenção possa ser adequadamente efectuado, conserve sempre um registo da dimensão e do comprimento de cada linha de refrigerante e da quantidade de carregamento adicional, inscrevendo-o no espaço previsto na unidade exterior.

### 8.1. Cálculo do carregamento adicional de refrigerante

- Calcule o volume do carregamento adicional segundo o comprimento total da tubagem e a dimensão da linha de refrigerante.
- Utilize a tabela da direita como guia para calcular o volume do carregamento adicional e carregue o sistema em função disso.
- Se o resultado do cálculo tiver uma fracção inferior a 0,1 kg. Por exemplo, se o resultado do cálculo for de 10,62 kg, arredonde o resultado para 10,7 kg.

<Carregamento adicional>

Carregamento adicional de refrigerante (kg)	=	Dimensão do tubo de líquido Comprimento total de $\varnothing 19,05 \times 0,16$ (m) $\times 0,16$ (kg/m)	+	Dimensão do tubo de líquido Comprimento total de $\varnothing 9,52 \times 0,06$ (m) $\times 0,06$ (kg/m)	+	Dimensão do tubo de líquido Comprimento total de $\varnothing 6,35 \times 0,024$ (m) $\times 0,024$ (kg/m)	+ $\alpha$
---	---	---	---	--	---	--	------------

<Exemplo>

Interior 1: 40	A: $\varnothing 19,05$	40 m	a: $\varnothing 6,35$	10 m	} Segundo as condições infra:
2: 100	B: $\varnothing 9,52$	10 m	b: $\varnothing 9,52$	5 m	
3: 40	C: $\varnothing 9,52$	15 m	c: $\varnothing 6,35$	10 m	
4: 32			d: $\varnothing 6,35$	10 m	
5: 63			e: $\varnothing 9,52$	10 m	

O comprimento total de cada linha de líquido é o seguinte:

$\varnothing 19,05$ : A = 40 m

$\varnothing 9,52$ : B + b + e = 10 + 5 + 10 = 25 m

$\varnothing 6,35$ : a + c + d = 10 + 10 + 10 = 30 m

Por conseguinte,

<Exemplo de cálculo>

Carregamento adicional de refrigerante

$$= 40 \times 0,16 + 25 \times 0,06 + 30 \times 0,024 + 2 = 10,7 \text{ kg}$$

Valor de  $\alpha$

Capacidade total de ligação das unidades interiores ao modelo	$\alpha$
80	1,0 kg
Modelos 81 a 160	1,5 kg
Modelos 161 a 330	2,0 kg
Modelos 331 a 375	2,5 kg

### 8.2. Cuidado com a ligação da tubagem/função da válvula

- Efectue a ligação da tubagem e da válvula de operação com precisão.
- O tubo de ligação do lado do gás está a ser montado para expedição.
  - ① Para soldar o tubo de ligação com flange, retire o tubo de ligação com flange da válvula esférica e solde-a da parte de fora da unidade.
  - ② Durante a remoção do tubo de ligação com flange, retire a vedação fornecida nas costas desta folha. Depois, cole-a na superfície da flange da válvula esférica para evitar a entrada de poeira na válvula.
  - ③ O circuito de refrigerante é fechado para expedição com uma embalagem redonda e compacta para evitar a fuga de gás entre as flanges. Como não pode ser executada nenhuma operação nesta fase, não se esqueça de substituir a embalagem pela embalagem oca fixa à ligação da tubagem.
  - ④ Ao montar a embalagem oca, limpe a poeira agarrada à flange na superfície da folha da flange e à embalagem. Revista ambos os lados da junta com óleo de refrigeração (Óleo de éster, óleo de éter ou alquilbenzeno [pequena quantidade]).

[Fig. 8.2.1] (P.3)

- Após evacuação e carregamento de refrigerante, assegure-se de que a pega está completamente aberta. Em caso de utilização com a válvula fechada, será aplicada pressão anormal ao lado da alta ou da baixa pressão do circuito de refrigerante, danificando o compressor, a válvula de 4 vias, etc.
- Utilizando a fórmula, determine a quantidade de carregamento de refrigerante adicional e, depois de concluir o trabalho de ligação da tubagem, carregue refrigerante adicional pela porta de serviço.
- Terminado o trabalho, aperte bem a porta de serviço e a tampa para não gerar fugas de gás.

[Fig. 8.2.2] (P.3)

<A> [Válvula esférica (lado de pressão baixa)]

<B> [Válvula esférica (lado de pressão alta)]

(Esta figura mostra a válvula em estado completamente aberto.)

Ⓐ Haste da válvula

[Completamente fechada à saída da fábrica, aquando da ligação da tubagem, da evacuação e enchimento adicional de refrigerante. Abra completamente após a realização das operações supramencionadas.]

Ⓑ Pino de retenção [Evita que a haste da válvula rode 90° ou mais.]

Ⓒ Junta de vedação (acessório)

- Ⓓ Tubo de ligação (acessório)  
[Utilize a junta de vedação e instale este tubo com segurança na flange da válvula para evitar eventuais fugas de gás. (Binário de aperto do parafuso: 25 N-m (250 kg-cm)) Revista ambos os lados da junta com óleo de refrigeração (Óleo de éster, óleo de éter ou alquilbenzeno [pequena quantidade]).]
- Ⓔ Aberto (Operar lentamente)
- Ⓕ Embalagem de cobre com tampa  
[Remova a tampa e accione a haste da válvula. Reinstale sempre a tampa no fim da operação. (Binário de aperto da tampa da haste da válvula: 25 N-m (250 kg-cm) ou mais)]
- Ⓖ Porta de serviço  
[Utilize-a para evacuação da tubagem de refrigerante e acrescente carga adicional no local.  
Abra e feche a porta com uma dupla chave de bocas.  
Reinstale sempre a tampa no fim da operação. (Binário de aperto da tampa da porta de serviço: 14 N-m (140 kg-cm) ou mais)]
- Ⓗ Porca de alargamento  
[Binário de aperto: 120 N-m (1200 kg-cm)  
Desaperte e aperte esta porca com uma dupla chave de bocas.  
Revista a superfície de contacto de alargamento com óleo de refrigeração (Óleo de éster, óleo de éter ou alquilbenzeno [pequena quantidade]).]
- Ⓛ ⌀19,05
- Ⓜ ⌀25,4 (PQRY-P200)  
⌀28,58 (PQRY-P250)
- Ⓚ Tubagem fornecida no local  
[Soldar ao tubo de ligação. (Quando soldar, use solda inoxidável.)]
- Ⓛ Feche a junta compacta
- Ⓜ Embalagem oca

Binário de aperto apropriado com chave dinamométrica:

Diâm. externo do tubo de cobre (mm)	Binário de aperto (N-m) / (kg-cm)
⌀6,35	14 a 18 / 140 a 180
⌀9,52	35 a 42 / 350 a 420
⌀12,7	50 a 57,5 / 500 a 575
⌀15,88	75 a 80 / 750 a 800
⌀19,05	100 a 140 / 1000 a 1400

Aperto standard do ângulo:

Diâmetro do tubo (mm)	Ângulo de aperto (°)
⌀6,35, ⌀9,52	60 a 90
⌀12,7, ⌀15,88	30 a 60
⌀19,05	20 a 35

[Fig. 8.2.3] (P.3)

**Nota:**

**Se não tiver chave dinamométrica, pode utilizar como medida o seguinte método:**

**Durante o aperto de uma porca de alargamento com uma chave de bocas, pode-se sentir, a dada altura, um aumento súbito do binário de aperto. Deixe imediatamente de apertar e desande então a porca segundo os graus fornecidos na tabela acima referida.**

### ⚠ Cuidado:

- **Remova sempre o tubo de ligação da válvula esférica e solde-o fora da unidade.**
  - Se o tubo for soldado estando instalado, pode aquecer a válvula esférica e provocar mau funcionamento da mesma ou uma fuga de gás. A tubagem, etc. pode queimar-se no interior da unidade.
- **Utilize óleo de éster, óleo de éter ou alquilbenzeno (pequenas quantidades) como óleo de refrigerador para revestir as ligações de aba saliente e de flange. (Para os modelos R407C)**
  - O óleo de refrigerador degrada-se se for misturado com uma grande quantidade de óleo mineral.
- **Não utilize um aditivo para a detecção de fugas.**

## 8.3. Teste de estanquicidade ao ar, evacuação e carga de refrigerante

### ① Teste de estanquicidade

Efectue o teste com a válvula esférica da unidade exterior fechada e pressurizando a tubagem de ligação e a unidade interior a partir da porta de serviço existente na válvula esférica da unidade exterior. (Pressurize sempre a partir das portas de serviço do tubo de alta pressão e do tubo de baixa pressão.)

#### [Fig. 8.3.1] (P.3)

- |                          |                           |
|--------------------------|---------------------------|
| Ⓐ Azoto gasoso           | Ⓔ Para a unidade interior |
| Ⓒ Analisador do sistema  | Ⓖ Botão inf.              |
| Ⓔ Botão sup.             | Ⓕ Válvula esférica        |
| Ⓖ Tubo de pressão baixa  | Ⓗ Tubo de pressão alta    |
| Ⓛ Unidade de aquecimento | Ⓜ Porta de serviço        |

<Para os modelos R407C>

O método de realização do teste de estanquicidade é basicamente o mesmo dos R22 modelos. Todavia, atendendo a que as restrições têm um efeito significativo na deterioração do óleo refrigerante, observe-as em todas as circunstâncias. Também, com refrigerante não-azeotrópico (R407C, etc.), as fugas de gás fazem com que a composição se altere e afecta a performance. Por isso, efectue o teste de fugas de entrada de ar com muita atenção.

Teste de estanquicidade	Restrição
<p>1. Pressurização do azoto gasoso</p> <p>(1) Depois de efectuar a pressurização segundo os valores de pressão previstos (2,94 MPa) por meio de azoto gasoso, deixe repousar durante um dia. Se a pressão não baixar, a estanquicidade é boa. Pelo contrário, se a pressão baixar, e uma vez que o local da fuga é desconhecido, é necessário efectuar igualmente o seguinte teste da bolha.</p> <p>(2) Após a realização da pressurização supramencionada, pulverize as peças de união de alargamento, as peças soldadas, as flanges e outras peças onde se possam localizar as fugas, com um produto que faça bolhas (Kyuboflex, etc.) e observe visualmente se existe ou não formação de bolhas.</p> <p>(3) Uma vez concluído o teste de estanquicidade, limpe o agente de formação de bolhas.</p>	<ul style="list-style-type: none"> <li>• Se utilizar como gás de pressurização um gás ou ar (oxigénio) inflamável, este poderá incendiar-se ou explodir.</li> </ul>
<p>2. Pressurização utilizando gás refrigerante e azoto gasoso</p> <p>(1) Ao pressurizar para uma pressão de gás de aproximadamente 0,2 MPa, pressurize para a pressão de design (2,94 MPa) ao usar gás de nitrogénio. No entanto, não o faça de uma vez só. Pare durante a pressurização e certifique-se de que a pressão não baixa.</p> <p>(2) Verifique se existem fugas de gás, inspeccionando as peças de união de alargamento, as peças soldadas, as flanges e outras peças que possam ser mais sujeitas a fugas, utilizando um R407C compatível com o detector eléctrico de fugas.</p> <p>(3) Este teste poderá ser efectuado concomitantemente com o teste de fuga de gás tipo bolha.</p>	<ul style="list-style-type: none"> <li>• Utilize unicamente um refrigerante indicado na unidade.</li> <li>• Se proceder ao enchimento com um gás de botija provocará a alteração da composição do refrigerante na botija. (Para os modelos R407C)</li> <li>• Utilize um manómetro, caixa de carga e outras peças específicas para o R407C. (Para os modelos R407C)</li> <li>• Um detector de fugas eléctrico para R22 não consegue detectar fugas de R407C.</li> <li>• Não utilize lâmpadas halóide. (Não conseguirá detectar as fugas.)</li> </ul>

### ② Evacuação

Os elementos que devem ser evacuados são os tubos de ligação e a unidade interior, a evacuação deve ser feita com a válvula esférica da unidade de aquecimento fechada e deve-se fazer a evacuação com a bomba de vácuo através da porta de serviço na válvula esférica da unidade de aquecimento. (A evacuação deverá ser sempre feita a partir da porta de serviço do tubo de alta pressão e do tubo de baixa pressão.) Depois do vácuo atingir 650 Pa [abs], prossiga a evacuação pelo menos durante uma hora, ou mais.

\* Nunca proceda à purga de ar utilizando refrigerante.

#### [Fig. 8.3.2] (P.3)

- |                         |                         |                   |
|-------------------------|-------------------------|-------------------|
| Ⓐ Analisador do sistema | Ⓔ Botão inf.            | Ⓒ Botão sup.      |
| Ⓖ Válvula esférica      | Ⓔ Tubo de pressão baixa |                   |
| Ⓕ Tubo de pressão alta  | Ⓖ Porta de serviço      | Ⓗ Junta de 3 vias |
| Ⓛ Válvula               | Ⓖ Válvula               | Ⓚ Botija          |
| Ⓛ Balança               | Ⓜ Bomba de vácuo        |                   |

**Nota:**

- **Acrescente sempre uma quantidade de refrigerante apropriada. Além disso, encha sempre o sistema com líquido refrigerante. Se o refrigerante estiver em excesso ou em falta, dará origem a problemas.**
- **Utilize um manómetro, tubo flexível de carga, e outras peças para o refrigerante, indicadas na unidade.**

- Utilize um gravímetro. (Um aparelho que consiga efectuar medições inferiores a 0,1 kg.)
- Utilize uma bomba de vácuo com válvula de retenção de fluxo inverso. (Para os modelos R407C)  
(Manómetro de vácuo aconselhado: ROBINAIR 14830A Thermistor Vacuum Gauge)  
Utilize igualmente um manómetro de vácuo que atinja 0,5 Torr. ou mais, depois de funcionar durante cinco minutos.

### ③ Carga do refrigerante (Para os modelos R407C)

Uma vez que o refrigerante utilizado na unidade é não azeotrópico, deverá ser carregado no estado líquido. Por conseguinte, ao carregar a unidade com refrigerante de uma botija, se esta não possuir um tubo-sifão, carregue o refrigerante líquido virando a botija de pernas para o ar, como indicado na figura abaixo. Caso a botija possua um tubo-sifão idêntica à apresentada na figura à direita, o refrigerante líquido poderá ser carregado com a botija em posição vertical. Por conseguinte, preste atenção às especificações nela inscritas. Se a unidade tiver de ser carregada com refrigerante gasoso, substitua todo o refrigerante por novo. Não utilize refrigerante remanescente na botija.

[Fig. 8.3.3] (P.3)

## 8.4. Isolamento térmico da tubagem de refrigerante

Proceda ao trabalho de isolamento da tubagem de refrigerante cobrindo separadamente os tubos de líquido e de gás com polietileno suficientemente espesso para resistir ao calor, de modo que não haja folga na junta entre a unidade interior e o material isolante e os materiais isolantes entre eles. Se o trabalho de isolamento não for suficiente, podem-se formar gotas de condensação, etc. Preste especial atenção ao trabalho de isolamento em todo o espaço do tecto.

[Fig. 8.4.1] (P.4)

- |   |                        |
|---|------------------------|
| Ⓐ Fio de aço                            | Ⓑ Tubagem              |
| Ⓒ Mástique oleoso de asfalto ou asfalto | Ⓔ Cobertura exterior B |
| Ⓓ Material isolante de aquecimento A    |                        |

Material isolante A de aquecimento	Fibra de vidro + Fio de aço	
	Adesivo + Espuma de polietileno resistente ao calor + Fita adesiva	
Cobertura exterior B	Interior	Fita de vinilo
	Exposto no solo	Pano de cânhamo à prova de água + Asfalto de bronze
	Exterior	Pano de cânhamo à prova de água + Chapa de zinco + Tinta a óleo

Nota:

- Quando utilizar um revestimento de polietileno como material de revestimento, não é necessário roofing de asfalto.
- Os fios eléctricos não devem ser revestidos de isolamento térmico.

[Fig. 8.4.2] (P.4)

- |                        |                         |                 |
|------------------------|-------------------------|-----------------|
| Ⓐ Tubo de pressão alta | Ⓑ Tubo de pressão baixa | Ⓒ Fio eléctrico |
| Ⓓ Fita de acabamento   | Ⓔ Isolador              |                 |

[Fig. 8.4.3] (P.4)

## Penetrações

[Fig. 8.4.4] (P.4)

- |  |                                    |
|--|------------------------------------|
| <A> Parede interna (encoberta)                                   | <B> Parede externa                 |
| <C> Parede externa (exposta)                                     | <D> Piso (à prova de fogo)         |
| <E> Veio do tubo do tecto  |                                    |
| <F> Porção de penetração no limite do fogo e na parede limítrofe |                                    |
| Ⓐ Camisa   | Ⓑ Material isolante de aquecimento |
| Ⓒ Forro isolador   | Ⓓ Material de calafetagem          |
| Ⓔ Banda  | Ⓕ Camada à prova de água           |
| Ⓖ Camisa com rebordo   | Ⓗ Material de forro isolador       |
| Ⓘ Argamassa ou outras calafetagens incombustíveis                |                                    |
| Ⓙ Material isolante de aquecimento incombustível                 |                                    |

Quando encher um buraco com argamassa, tape a parte de penetração com uma chapa de aço para não afectar o material isolante. No que diz respeito a esta parte, utilize materiais incombustíveis, tanto para o isolamento como para a cobertura. (Não se deve usar cobertura de vinilo.)

## 9. Cablagem

### 9.1. Cuidado

- ① Siga as instruções do seu governo quanto às normas técnicas relativas ao equipamento eléctrico, às regulamentações de cablagem e às orientações de cada companhia de electricidade.
- ② A cablagem de controlo (a seguir referida como linha de transmissão) deve estar distante (5 cm ou mais) da cablagem eléctrica para não ser afectada pelo ruído eléctrico emitido pela cablagem eléctrica (Não introduza a linha de transmissão nem o fio eléctrico no mesmo conduto).
- ③ Certifique-se de que estabelece a ligação à terra para a unidade de aquecimento.
- ④ Preveja alguma folga da cablagem para a caixa da parte eléctrica das unidades interior e exterior, porque a caixa é, por vezes, removida aquando do trabalho de manutenção.
- ⑤ Nunca ligue a corrente ao bloco terminal da linha de transmissão. Se o fizer, as peças eléctricas queimam-se.
- ⑥ Para linha de transmissão, utilize cabos blindados de 2 condutores. Se as linhas de transmissão de diferentes sistemas forem de cabos com o mesmo multicondutor, a fraca transmissão e recepção daí resultante causará operações erradas.
- ⑦ Apenas a linha de transmissão especificada deve ser ligada ao bloco terminal para a transmissão da unidade de aquecimento.  
(Linha de transmissão a ligar à unidade interior: bloco terminal TB3 para linha de transmissão. Outra: bloco terminal TB7 para controlo centralizado)  
A ligação errada impede o sistema de funcionar.
- ⑧ No caso da ligação com o controlador de classe superior ou para a operação em grupo em sistemas de refrigerante diferentes, é necessário uma linha de controlo para a transmissão entre as unidades de aquecimento.  
Ligue esta linha de controlo entre os blocos terminais para controlo centralizado. (Linha de 2 fios sem polaridade).  
Se efectuar uma operação de grupo num sistema de refrigerante diferente sem a ligar a um controlador de classe superior, substitua a inserção do conector de curto-circuito a partir do CN41 de uma unidade exterior para o CN40.
- ⑨ O grupo é regulado pela operação do controlo remoto.
- ⑩ Os furos de separação não utilizados devem ser fechados e as aberturas dos tubos de refrigerante, tubos da água, dos fios de transmissão e fornecimento de energia devem ser tapados com massa consistente ou outro produto para proteger da chuva. (construção)

### 9.2. Caixa de controlo e posição de ligação da cablagem

1. Ligue a linha de transmissão da unidade para o bloco terminal de transmissão (TB3) ou ligue a cablagem entre as unidades de aquecimento ou ligue a cablagem para o sistema de controlo central ao bloco terminal do controlo central (TB7).  
Quando utilizar cablagem blindada, ligue o fio terra blindado da linha de transmissão da unidade interior ao parafuso de terra (⊕) e o fio terra blindado da linha entre as unidades de aquecimento e a linha de transmissão do sistema de controlo central ao terminal para o terminal blindado (S) do bloco terminal de controlo central (TB7). Além disso, no caso das unidades de aquecimento, cujo conector de corrente CN41 foi substituído pelo CN40, o terminal blindado (S) do bloco terminal (TB7) do sistema de controlo central também deve ser ligado à terra (⊕).
- [Fig. 9.2.1] (P.4)
- |            |                        |
|------------|------------------------|
| Ⓐ Corrente | Ⓑ Linha de transmissão |
|------------|------------------------|
2. As placas de montagem da conduta (Ø27) são fornecidas. Passe os fios de corrente e de transmissão pelos furos separadores apropriados, remova a peça do furo de separação a partir do fundo da caixa terminal e ligue os fios.
  3. Fixe a cablagem eléctrica à caixa do terminal utilizando um casquilho amortecedor da força de tracção (Ligação PG ou similar).

### 9.3. Cablagem de cabos de transmissão

#### ① Tipos de cabos de controlo

1. Cablagem de cabos de transmissão
  - Tipos de cabos de transmissão: Cabo blindado CVVS ou CPEVS
  - Diâmetro do cabo: Superior a 1,25 mm<sup>2</sup>
  - Comprimento máximo da cablagem: Dentro de 200 m
2. Cabos do controlo remoto

Tipo de cabo do controlo remoto	Cabo de 2 condutores (sem blindagem)
Diâmetro do cabo	0,3 a 1,25 mm <sup>2</sup>
Observações	Para mais de 10 m, utilize um cabo com as mesmas especificações que (1) Cablagem da linha de transmissão.



## ② Exemplos de cablagem

- Nome do controlador, símbolo e número admissível de controladores.

Nome	Símbolo	Número admissível de controladores
Controlador da unidade de aquecimento	OC	
Controlador BC	BC	Um controlador para um OC
Controlador da unidade interior	IC	Dois a dez controladores para um OC
Controlo remoto	RC	Máximo de duas por grupo

## Exemplo de um sistema de operação de grupo com unidades exteriores múltiplas (fios blindados e definição de endereços necessários)

<Exemplos de cablagem de cabos de transmissão>

### [Fig. 9.3.1] Controlo remoto M-NET (P.4)

### [Fig. 9.3.2] Controlo remoto MA (P.4)

- Ⓐ Grupo 1      Ⓑ Grupo 3      Ⓒ Grupo 5      Ⓓ Fio blindado      Ⓔ Controlo remoto subordinado  
 ( ) Endereço

<Como instalar a cablagem definição de endereços>

- Utilize fios blindados para efectuar ligações entre a unidade de aquecimento (OC) e a unidade interior (IC), e para todas as OC a OC, e intervalos de cablagem de IC a IC.
  - Utilize cablagem eléctrica para ligar os terminais M1 e M2 e o terminal de terra do bloco terminal do cabo de transmissão (TB3) de cada unidade de aquecimento (OC) aos terminais M1, M2 e o terminal S do bloco do cabo de transmissão da unidade interior (IC).
  - Ligue os terminais 1 (M1) e 2 (M2) do bloco terminal do cabo de transmissão da unidade interior (IC), cujo endereço seja o mais recente do mesmo grupo, ao bloco terminal do controlo remoto (RC).
  - Ligue os terminais M1, M2 e o terminal S ao bloco terminal do controlo central (TB7) da unidade de aquecimento (OC).
  - Com uma única unidade de aquecimento, mude o conector em ponte do painel de controlo do CN41 para o CN40.
  - Ligue o terminal S do bloco terminal (TB7) do controlo central da cada unidade de aquecimento (OC) da unidade onde o conector em ponte tiver sido inserido no CN40 no passo acima, ao terminal de terra (Ⓧ) da caixa do painel eléctrico.
  - Defina o interruptor de definição de endereços do seguinte modo.
- \* Para regular o endereço da unidade de aquecimento para 100, o interruptor de regulação do endereço da unidade de aquecimento deve estar regulado para 50.

Unidade	Gama	Com definir a cablagem
IC (principal)	01 a 50	Defina o endereço mais recente dentro do mesmo grupo de unidades interiores (IC)
IC (subordinada)	01 a 50	Defina um endereço, diferente do da IC (principal) no mesmo grupo de unidades interiores (IC). Este deve ser consequente com o da IC (principal)
Unidade de aquecimento	51 a 100	Defina o endereço mais recente das unidades interiores no mesmo sistema de refrigerante + 50
Controlador de derivação	51 a 100	Defina o endereço da unidade de aquecimento para mais 1
M-NET R/C (principal)	101 a 150	Defina o endereço (principal) + 100
M-NET R/C (subordinada)	151 a 200	Defina o endereço (principal) + 150
MA R/C	-	Programação de endereço desnecessária (Programação de main/sub necessária)

- Defina as múltiplas unidades exteriores como um grupo do controlo remoto (RC) depois de ligar a corrente. Para mais informações, consulte o manual de instalação do controlo remoto.

<Comprimento admissível>

### ① Controlo Remoto M-NET

- Comprimento máximo através das unidades de aquecimento:  $L_1+L_2+L_3+L_4$  e  $L_1+L_2+L_3+L_5$  e  $L_1+L_2+L_6+L_7 \leq 500$  m (1,25 mm<sup>2</sup> ou mais)
- Maior comprimento do cabo de transmissão:  $L_1$  e  $L_3+L_4$  e  $L_3+L_5$  e  $L_6$  e  $L_2+L_6$  e  $L_7 \leq 200$  m (1,25 mm<sup>2</sup> ou mais)
- Comprimento do cabo do controlo remoto:  $\ell_1, \ell_2, \ell_3, \ell_4 \leq 10$  m (0,3 a 1,25 mm<sup>2</sup>)  
Se o comprimento for superior a 10 m, utilize um fio blindado de 1,25 mm<sup>2</sup>. Por conseguinte, o comprimento desta secção (L<sub>s</sub>) deveria estar compreendido no comprimento máximo de cálculo e no comprimento global.

### ② Controlo Remoto MA

- Maior comprimento das unidades exteriores (Cabo M-NET):  $L_1+L_2+L_3+L_4$  e  $L_1+L_2+L_6+L_7 \leq 500$  m (1,25 mm<sup>2</sup> ou mais)
- Maior comprimento do cabo de transmissão (Cabo M-NET):  $L_1$  e  $L_3+L_4$  e  $L_6$  e  $L_2+L_6$  e  $L_7 \leq 200$  m (1,25 mm<sup>2</sup> ou mais)
- Comprimento do cabo do controlo remoto:  $m_1$  e  $m_1+m_2+m_3$  e  $m_1+m_2+m_3+m_4 \leq 200$  m (0,3 a 1,25 mm<sup>2</sup>)

## 9.4. Cablagem da corrente principal e capacidade do equipamento

Diagrama esquemático da cablagem (exemplo)

### [Fig. 9.4.1] (P.4)

- Ⓐ Disjuntor de fio (disjuntor de fuga do fio de terra)      Ⓑ Unidade de aquecimento      Ⓒ Controlador BC  
 Ⓓ Caixa de tracção      Ⓔ Unidade interior      Ⓕ Disjuntor de fuga de corrente

Espessura do fio da corrente principal e capacidades de ligar/desligar

Modelo	Espessura mínima do fio (mm <sup>2</sup> )	Espessura mínima do fio (mm <sup>2</sup> )			Interruptor (A)		Disjuntor de cablagem (NFB)	Disjuntor de fuga de corrente
		Cabo principal	Derivação	Ligação à terra	Capacidade	Fusível		
Unidade de aquecimento	P200	4,0	-	4,0	32	32	40 A	30 A 100 mA 0,1 seg. ou menos
	P250	6,0	-	6,0	40	40	40 A	40 A 100 mA 0,1 seg. ou menos
Controlador BC		1,5	1,5	1,5	16	16	20 A	20 A 30 mA 0,1 seg. ou menos
Unidade interior								

- Utilize uma fonte de alimentação separada para a unidade de aquecimento e para a unidade interior.
- Tenha em consideração as condições ambientais (temperatura ambiente, luz directa do sol, água da chuva, etc.) quando estiver a fazer a instalação e as ligações.
- O tamanho do fio corresponde ao valor mínimo para a instalação de tubulação metálica. O cabo de alimentação deverá ser 1 grau mais espesso, tendo em consideração as quedas de tensão.  
Certifique-se de que a tensão de alimentação não desce abaixo dos 10 %.

4. Os requisitos específicos da instalação devem estar em conformidade com as normas técnicas aplicáveis na região.
5. O cabos de alimentação para peças de dispositivos de utilização no exterior não deverão ser mais leves do que um cabo flexível blindado em policloropreno (concepção 245 IEC57).
6. A instalação do aparelho de ar condicionado deve dispor de um interruptor com pelo menos 3 mm de folga entre os contactos dos pólos.

**⚠ Aviso:**

- Nas ligações, não se esqueça de utilizar fios específicos para que nenhuma força externa seja transmitida às ligações do terminal. Se as ligações não forem feitas firmemente, podem gerar calor ou originar incêndios.
- Não se esqueça de utilizar o tipo apropriado de interruptor de protecção de sobretensão. Note que a sobretensão gerada pode incluir uma certa quantidade de corrente contínua.

**⚠ Cuidado:**

- Alguns locais de instalação podem necessitar de fixação de fio de terra de um disjuntor de fuga de fio de terra. Se não for instalado disjuntor de fugas de fio de terra, é possível haver choques eléctricos.
- Utilize apenas disjuntores e fusíveis com a capacidade prevista. Utilizando fusíveis e fios ou fios de cobre com capacidade a mais, pode causar malformação da unidade ou incêndio.

## 10. Teste de funcionamento

### 10.1. Os seguintes fenómenos não constituem avaria (emergência)

Fenómeno	Visualização do controlo remoto.	Causa
A unidade interior e o controlador BC produzem um determinado som na mudança arrefecimento/aquecimento durante um certo tempo.	<b>Visualização normal.</b>	Isto não é uma avaria, mas uma simples selecção sonora.
A unidade interior não funciona na operação de arrefecimento (aquecimento).	<b>“O arrefecimento (aquecimento) pisca”</b>	Se houver várias unidades interiores (máx. 3) ligadas à mesma derivação do controlador BC, a operação de aquecimento (arrefecimento) não poderá ser efectuada enquanto uma outra unidade interior estiver a efectuar a operação de arrefecimento (aquecimento).
A válvula automática funciona livremente.	<b>Visualização normal</b>	Devido à operação de controlo da válvula automática, é possível mudar automaticamente para sopro horizontal a partir do sopro para baixo em modo de arrefecimento, caso o sopro para baixo tenha continuado durante 1 hora. Ao desembaciar em modo de aquecimento, o ajustamento a quente e com o termóstato desligado, muda automaticamente para sopro horizontal.
A posição da ventoinha muda durante o aquecimento.	<b>Visualização normal</b>	A operação a velocidade ultra-baixa é iniciada com o termóstato desligado. O ar leve muda automaticamente para definir o valor em função do tempo ou da temperatura da tubagem com o termóstato ligado.
A ventoinha pára durante a operação de aquecimento.	<b>Visualização do desembaciador</b>	A ventoinha deve parar durante o desembaciamento.
A ventoinha não pára com a paragem da operação.	<b>Não há luz</b>	A ventoinha deve funcionar durante 1 minuto após paragem para evacuar o aquecimento residual (só no aquecimento).
Não houve regulação da ventoinha durante o arranque do SW.	<b>O aquecimento está pronto</b>	Operação a velocidade ultra-baixa durante 5 minutos depois de ligado o SW ou até a temperatura da tubagem atingir 35 °C em funcionamento, e depois a baixa velocidade durante 2 minutos; em seguida, regule o encaixe que iniciou. (Controlo de ajustamento a quente.)
A unidade de aquecimento não funciona quando se liga o interruptor.	<b>Visualização normal</b>	Quando a unidade exterior tiver arrefecido e o refrigerante está a descansar, a operação de aquecimento será prosseguida durante 35 minutos, pelo menos, para aquecer o compressor. Só a ventoinha funciona durante este tempo.
O controlo remoto da unidade interior visualiza o indicador “HO” durante cerca de dois minutos com a corrente ligada.	<b>“HO” pisca</b>	O sistema está activado. Accione novamente o controlo remoto depois de “HO” desaparecer.
A bomba de drenagem não pára com a paragem da unidade.	<b>Apaga-se</b>	Após a paragem da operação de arrefecimento, a unidade continua a fazer funcionar a bomba de drenagem durante 3 minutos, parando depois.
A bomba de drenagem continua a funcionar quando a unidade pára.		Se for gerada drenagem, a unidade continua a fazer funcionar a bomba de drenagem, mesmo durante uma paragem.

# Περιεχόμενα

1. Μέτρα ασφαλείας .....	67	6.4. Ενδασφάλεια της αντλίας .....	70
1.1. Πριν από την εγκατάσταση και τις ηλεκτρικές εργασίες ...	67	7. Εγκατάσταση σωληνώσεων ψυκτικού .....	70
1.2. Μέτρα ασφαλείας για συσκευές που χρησιμοποιούν ψυκτικό υγρό R407C .....	68	7.1. Προσοχή .....	71
1.3. Πριν από την εγκατάσταση .....	68	7.2. Σύστημα σωληνώσεων ψυκτικού .....	71
1.4. Πριν να γίνει η εγκατάσταση (ή μετακίνηση) - ηλεκτρικές εργασίες .....	68	8. Συμπληρωματική πλήρωση με ψυκτικό .....	71
1.5. Πριν αρχίσετε την δοκιμαστική λειτουργία .....	68	8.1. Υπολογισμός συμπληρωματικής ποσότητας ψυκτικού .....	71
2. Συνδυασμοί με εσωτερικές μονάδες .....	69	8.2. Προσοχή για την σύνδεση του συστήματος σωληνώσεων/ λειτουργία βαλβίδας .....	72
3. Επαλήθευση των εξαρτημάτων που προμηθεύονται .....	69	8.3. Δοκιμή Αεροστεγανότητας, Εκκένωσης και Ανανέωσης ψυκτικού .....	72
4. Μέθοδος ανύψωσης .....	69	8.4. Θερμική μόνωση ψυκτικών σωληνών .....	73
5. Εγκατάσταση της μονάδας και διαθέσιμος χώρος για επισκευή .....	69	9. Καλωδίωση .....	74
5.1. Εγκατάσταση .....	69	9.1. Προσοχή .....	74
5.2. Διαθέσιμος χώρος Επισκευής .....	69	9.2. Κουτί ελέγχου και θέσεις συνδέσεων καλωδίων .....	74
6. Εγκατάσταση σωλήνας νερού .....	69	9.3. Καλώδια για καλωδιώσεις μετάδοσης .....	74
6.1. Προφυλάξεις κατά την εγκατάσταση .....	69	9.4. Σύνδεση ηλεκτρικής παροχής και ικανότητα συσκευών .....	75
6.2. Εγκατάσταση μόνωσης .....	70	10. Δοκιμαστική λειτουργία .....	76
6.3. Διεξαγωγή νερού και έλεγχος ποιότητας νερού .....	70	10.1. Τα παρακάτω φαινόμενα δεν θεωρούνται σαν πρόβλημα (έκτακτα) .....	76

## 1. Μέτρα ασφαλείας

### 1.1. Πριν από την εγκατάσταση και τις ηλεκτρικές εργασίες

- ▶ Πριν εγκαταστήσετε την μονάδα, βεβαιωθείτε ότι έχετε διαθέσει όλα τα “Μέτρα Ασφαλείας”.
- ▶ Τα “Μέτρα Ασφαλείας” παρέχουν πολύ σημαντικά σημεία σχετικά με την ασφάλεια. Βεβαιωθείτε ότι τα εφαρμόζετε.

#### Σύμβολα που χρησιμοποιούνται στο κείμενο


##### Προειδοποίηση:

Περιγράφει τα μέτρα ασφαλείας που πρέπει να τηρούνται ώστε να αποφεύγονται κίνδυνος τραυματισμού ή θάνατος του χρήστη.

##### Προσοχή:


Περιγράφει τα μέτρα ασφαλείας που πρέπει να τηρούνται ώστε να αποφεύγεται θλάξη στη μονάδα.

#### Σύμβολα που χρησιμοποιούνται στις εικονογραφήσεις

 : Δείχνει την ενέργεια που πρέπει να αποφεύγεται.

 : Δείχνει ότι πρέπει να ακολουθούνται σημαντικές οδηγίες.

 : Δείχνει το μέρος της συσκευής που πρέπει να γειώνεται.

 : Προσοχή κίνδυνος ηλεκτροπληξίας. (Αυτό το σύμβολο εμφανίζεται στην επικέτα της κύριας μονάδας.) <Χρώμα: κίτρινο>

##### Προειδοποίηση:

Διαβάστε προσεκτικά τις ετικέτες που είναι κολλημένες πάνω στην κύρια μονάδα.

##### Προειδοποίηση:

- Ζητήστε από έναν αντιπρόσωπο ή από έναν εξουσιοδοτημένο τεχνικό να κάνουν την εγκατάσταση του κλιματιστικού.
  - Ακατάλληλη εγκατάσταση της συσκευής από τον χρήστη μπορεί να έχει σαν αποτέλεσμα διαρροή νερού, ηλεκτροπληξία ή πυρκαγιά.
- Εγκαταστήστε τη μονάδα σε μέρος αρκετά ανθεκτικό που να αντέχει το βάρος της.
  - Ανεπαρκής σταθερότητα μπορεί να έχει σαν αποτέλεσμα την πτώση της μονάδας προκαλώντας τραυματισμό.
- Για την καλωδίωση, χρησιμοποιείτε μόνον τα προδιαγραφόμενα καλώδια. Κάνετε τις συνδέσεις ασφαλώς έτσι ώστε οι εξωτερικές πιέσεις του καλωδίου να μην έρχονται σε επαφή με τα τερματικά.
  - Ανεπαρκής σύνδεση και στερέωση μπορεί να προκαλέσουν υπερθέρμανση και κατά συνέπεια πυρκαγιά.
- Προβλέψτε για θροχή, υγρασία και σεισμούς και εγκαταστήστε τη μονάδα στο κατάλληλο σημείο.
  - Ακατάλληλη εγκατάσταση μπορεί να έχει σαν αποτέλεσμα την κατάρρευση της μονάδας και να προκαλέσει τραυματισμό.
- Χρησιμοποιείτε πάντα φίλτρο και άλλα αξεσουάρ που συνιστούνται από την Mitsubishi Electric.
  - Ζητήστε από έναν εξουσιοδοτημένο τεχνικό να εγκαταστήσει τις προσαρμοσμένες συσκευές. Ακατάλληλη εγκατάσταση από τον χρήστη μπορεί να έχει σαν αποτέλεσμα διαρροή νερού, ηλεκτροπληξία ή πυρκαγιά.

- Ποτέ μην επισκευάζετε μόνοι σας τη μονάδα. Εάν το κλιματιστικό πρέπει να επισκευασθεί, συμβουλευθείτε τον αντιπρόσωπό σας.
  - Εάν γίνει ακατάλληλη επισκευή στην μονάδα μπορεί να προκληθεί διαρροή νερού, ηλεκτροπληξία ή πυρκαγιά.
- Εάν υπάρχει διαρροή ψυκτικού αερίου κατά την διάρκεια της διαδικασίας εγκατάστασης, αερίστε το χώρο.
  - Στην περίπτωση που το ψυκτικό αέριο έρθει σε επαφή με φλόγα, θα ελευθερωθούν δηλητηριώδη αέρια.
- Εγκαταστήστε το κλιματιστικό σύμφωνα με τον Οδηγό Εγκατάστασης.
  - Εάν γίνει ακατάλληλη εγκατάσταση της μονάδας, μπορεί να προκληθεί διαρροή νερού, ηλεκτροπληξία ή πυρκαγιά.
- Όλες οι ηλεκτρικές εργασίες πρέπει να εκτελούνται από έναν πεπειραμένο ηλεκτρολόγο, ο οποίος διαθέτει σχετική άδεια και να γίνονται σύμφωνα με τους ισχύουσες τοπικές διατάξεις και κανονισμούς και τις οδηγίες που δίνονται σε αυτόν τον οδηγό καθώς και πάντοτε να χρησιμοποιείται ειδικό κύκλωμα.
  - Εάν η χωρητικότητα της πηγής ισχύος είναι ανεπαρκής ή έχουν γίνει ακατάλληλα οι ηλεκτρικές εργασίες, μπορεί να προκληθούν ηλεκτροπληξία ή πυρκαγιά.
- Τοποθετήστε ασφαλώς το προστατευτικό κάλυμμα στους ακροδέκτες διανομής της εξωτερικής μονάδας (μεταλλικό φύλλο).
  - Εάν το μεταλλικό φύλλο δεν έχει τοποθετηθεί σωστά, μπορεί να εισέλθουν σκόνη ή νερό στην εσωτερική μονάδα, και αυτό να έχει σαν αποτέλεσμα ηλεκτροπληξία ή πυρκαγιά.
- Όταν γίνεται εγκατάσταση ή μετακίνηση του κλιματιστικού σε ένα άλλο μέρος, μην ανεφοδιάζετε ψυκτικό υγρό διαφορετικό από αυτό που προδιαγράφεται επάνω στην μονάδα (R407C).
  - Εάν αναμιχθεί άλλο είδος ψυκτικό υγρό ή αέρας με το αυθεντικό ψυκτικό, ο ψυκτικός κύκλος μπορεί να πάθει βλάβη και αυτό πιθανό να προκαλέσει ζημιά στην μονάδα.
- Εάν το κλιματιστικό εγκατασταθεί σε μικρό χώρο, πρέπει να γίνονται ειδικές μετρήσεις ώστε να παρεμποδίζεται η υπέρβαση των ορίων ασφαλείας η συμπύκνωση του ψυκτικού ακόμη και αν υπάρξει διαρροή του.
  - Συμβουλευθείτε τον αντιπρόσωπό σας για τα μέτρα που πρέπει να λαμβάνονται ώστε να παρεμποδίζεται η υπέρβαση των ορίων ασφαλείας. Στην περίπτωση που υπάρξει διαρροή ψυκτικού που τυχόν υπερβεί τα όρια ασφαλείας, μπορεί να προκληθούν ατυχήματα λόγω της έλλειψης οξυγόνου στο χώρο.
- Όταν πρόκειται να μετακινήσετε ή να εγκαταστήσετε το κλιματιστικό σε άλλο μέρος, συμβουλευθείτε τον αντιπρόσωπό σας ή έναν εξουσιοδοτημένο τεχνικό.
  - Εάν γίνει ακατάλληλη εγκατάσταση της μονάδας, μπορεί να προκληθεί διαρροή νερού, ηλεκτροπληξία ή πυρκαγιά.
- Όταν ολοκληρωθεί η διαδικασία εγκατάστασης, βεβαιωθείτε ότι δεν υπάρχει διαρροή ψυκτικού αερίου.
  - Εάν υπάρχει διαρροή ψυκτικού αερίου και το αέριο έρθει σε επαφή με θερμοσυσσωρευτή, σόμπα ή άλλη πηγή θερμότητας, μπορεί να ελευθερωθούν δηλητηριώδη αέρια.
- Μην αλλάζετε ή τροποποιείτε τις ρυθμίσεις των προστατευτικών μέσων ασφαλείας.
  - Εάν ο διακόπτης πίεσεως, ο διακόπτης θερμότητας ή άλλες συσκευές ασφαλείας επιταχυνθούν ή λειτουργηθούν βίαια ή αν χρησιμοποιηθούν εξαρτήματα διαφορετικά από αυτά που προδιαγράφονται από την Mitsubishi Electric, μπορεί να προκληθεί έκρηξη ή πυρκαγιά.
- Για να πετάξετε το προϊόν όταν πια δεν το χρησιμοποιείτε, συμβουλευθείτε το κατάστημα από το οποίο το αγοράσατε.
- Ο ειδικός για την εγκατάσταση και τη λειτουργία του συστήματος θα φροντίσει για την προστασία από διαρροή σύμφωνα με τους τοπικούς κανονισμούς ή τις προδιαγραφές.

- Σε περίπτωση που δεν είναι διαθέσιμοι τοπικοί κανονισμοί, μπορούν να εφαρμοστούν οι παρακάτω προδιαγραφές.

- **Δώστε ιδιαίτερη προσοχή σε χώρους, όπως ένα υπόγειο κτλ., όπου μπορεί να παρατηρηθεί συμπίκνωση του ψυκτικού αερίου, αφού είναι βαρύτερο από τον αέρα.**

## 1.2. Μέτρα ασφαλείας για συσκευές που χρησιμοποιούν ψυκτικό υγρό R407C

### ⚠ Προσοχή:

- **Μην χρησιμοποιείτε την υπάρχουσα σωλήνωση ψυκτικού.**
  - Το παλιό ψυκτικό υγρό και το ψυκτικό λάδι στην υπάρχουσα σωλήνωση περιέχει μία μεγάλη ποσότητα χλωρίου που μπορεί να προκαλέσει την αλλοίωση του ψυκτικού λαδιού στην καινούρια μονάδα.
- **Χρησιμοποιείτε σωληνώσεις ψυκτικού από αποξειδωμένο φωσφορικό χαλκό και σωλήνες και αγωγούς χωρίς ραφές, από χαλκό και πρόσμιξη κράματος χαλκού. Επίσης, βεβαιωθείτε ότι οι εσωτερικές και εξωτερικές επιφάνειες των σωλήνων πρέπει να είναι καθαρές και να μην περιέχουν επικίνδυνο θειάφι, οξείδια, σκόνη/βρωμιά, κόκκους ρινίματος, λάδια, υγρασία ή οποιοδήποτε άλλες προσμίξεις.**
  - Προσμίξεις στο εσωτερικό των ψυκτικών σωληνώσεων ενδέχεται να προκαλέσουν την αλλοίωση του ψυκτικού ιζηματικού λαδιού.
- **Αποθηκεύστε τις σωληνώσεις που θα χρησιμοποιηθούν για την εγκατάσταση σε εσωτερικό χώρο και φυλάξτε και τα δύο άκρα των σωληνώσεων σφραγισμένα μέχρις ότου γίνει η συγκόλληση. (Φυλάξτε τους συνδέσμους και τις γωνίες σε μία πλαστική σακούλα).**
  - Εάν τυχόν εισέλθουν σκόνη, βρωμιά ή νερό στον ψυκτικό κύκλο, μπορεί να αλλοιωθεί η ποιότητα του λαδιού ή να δημιουργηθούν προβλήματα στην συμπίεση.
- **Χρησιμοποιήστε λάδι εστέρα, λάδι αιθέρα ή αλκυλιοβενζόλη (μικρή ποσότητα) σαν ψυκτικό λάδι, για την επιστροφή διαπλάτυσης και τις συνδέσεις φλάντζας.**
  - Το ψυκτικό λάδι αν αναμιχθεί με μεγάλη ποσότητα ορυκτέλαιου, θα αλλοιωθεί.
- **Για να γεμίσετε το σύστημα, χρησιμοποιείτε ψυκτικό υγρό.**
  - Αν χρησιμοποιηθεί ψυκτικό αέριο για να σφραγιστεί το σύστημα, θα αλλάξει η σύνθεση του ψυκτικού στον κύλινδρο και μπορεί να διακοπεί η λειτουργία.
- **Μην χρησιμοποιείτε άλλο ψυκτικό από το R407C.**
  - Εάν χρησιμοποιηθεί άλλο ψυκτικό (R22, κλπ.), το χλώριο στο ψυκτικό μπορεί να προκαλέσει αλλοίωση στην ποιότητα του λαδιού.
- **Χρησιμοποιήστε μία αεροστεγή αντλία με ρυθμιστική βαλβίδα αντίστροφης ροής.**
  - Το λάδι της αεροστεγούς αντλίας μπορεί να ρέψει προς τα πίσω μέσα στον ψυκτικό κύκλο και έτσι να αλλοιωθεί το ψυκτικό λάδι.
- **Μην χρησιμοποιείτε τα παρακάτω εργαλεία τα οποία χρησιμοποιούνται με συνηθισμένα ψυκτικά.**  
**(Πολλάπλοοι μετρητές, σωλήνας φόρτισης, ανιχνευτής διαρροής αερίου, ρυθμιστική βαλβίδα αντίστροφης ροής, βάση φόρτισης ψυκτικού, εξοπλισμός αναπλήρωσης ψυκτικού)**
  - Αν το συνηθισμένο ψυκτικό και το ψυκτικό λάδι αναμιχθούν με το R407C, μπορεί να προκληθεί αλλοίωση του ψυκτικού.
  - Αν αναμιχθεί νερό με το R407C, μπορεί να αλλοιωθεί το ψυκτικό λάδι.
  - Από την στιγμή που το R407C δεν περιέχει καθόλου χλώριο, οι ανιχνευτές διαρροής αερίου των συνηθισμένων ψυκτικών δεν πρόκειται να αντιδράσουν σ' αυτό.
- **Μην χρησιμοποιείτε κύλινδρο γόμωσης.**
  - Χρησιμοποιώντας κύλινδρο γόμωσης, μπορεί να αλλοιωθεί το ψυκτικό μίγμα.
- **Να είστε ιδιαίτερα προσεκτικοί όταν χειρίζεστε τα εργαλεία.**
  - Αν εισέλθουν νερό, σκόνη ή βρωμιά στον ψυκτικό κύκλο, μπορεί να αλλοιωθεί η ποιότητα του ψυκτικού.

## 1.3. Πριν από την εγκατάσταση

### ⚠ Προσοχή:

- **Μην εγκαθιστάτε τη μονάδα σε μέρη όπου μπορεί να υπάρχει διαρροή εύφλεκτου αερίου.**
  - Εάν υπάρχει διαρροή αερίου το οποίο συσσωρεύεται γύρω από τη μονάδα, μπορεί να προκληθεί έκρηξη.
- **Μην χρησιμοποιείτε το κλιματιστικό σε μέρη όπου φυλάσσονται τρόφιμα, κατοικίδια ζώα, φυτά, όργανα ακριβείας ή έργα τέχνης.**
  - Η ποιότητα των τροφίμων, κλπ. μπορεί να αλλοιωθεί.
- **Μη χρησιμοποιείτε το κλιματιστικό σε ειδικό περιβάλλον.**
  - Λάδι, ατμός, θειικός καπνός, κλπ., μπορεί να ελαττώσουν αισθητά την απόδοση της λειτουργίας του κλιματιστικού ή να καταστρέψουν τμήματά του.
- **Όταν πρόκειται να εγκαταστήσετε το κλιματιστικό σε νοσοκομεία, σταθμούς τηλεπικοινωνιών ή παρόμοια μέρη, βεβαιωθείτε ότι εφαρμόσατε την κατάλληλη και επαρκή ηχητική μόνωση.**
  - Ο εξοπλισμός μετασηματιστών συνεχούς ρεύματος, γεννήτριες ιδιωτικής χρήσης, ιατρικά μηχανήματα υψηλής συχνότητας και πομποί ραδιοφωνίας, μπορεί να προκαλέσουν την διακεκομμένη λειτουργία του κλιματιστικού ή την ελλιπή λειτουργία του. Παράλληλα, το κλιματιστικό μπορεί να

επενεργήσει σε τέτοιου είδους εξοπλισμό, δημιουργώντας ήχους που παρεμποδίζουν τόσο την θεραπευτική αγωγή όσο και την εκπομπή τηλεοπτικής εικόνας.

- **Μην εγκαθιστάτε την μονάδα κατά τέτοιο τρόπο που μπορεί να προκληθεί διαρροή.**
  - Όταν η υγρασία στο χώρο ξεπερνά το 80 % ή όταν έχει βουλώσει ο σωλήνας αποστράγγισης, μπορεί να στάξει η συμπίκνωση από την εσωτερική μονάδα. Εκτελέστε τις εργασίες περισυλλογής αποστράγγισης μαζί με την εξωτερική μονάδα, όπως συνιστάται.

## 1.4. Πριν να γίνει η εγκατάσταση (ή μετακίνηση) - ηλεκτρικές εργασίες

### ⚠ Προσοχή:

- **Γειώστε την μονάδα.**
  - Μη συνδέσετε το καλώδιο γείωσης με σωλήνες αερίου ή νερού, αλεξικέραυνα, ή τηλεφωνικό σύρμα γείωσης. Αντικανονική γείωση ενδέχεται να προκαλέσει ηλεκτροπληξία.
- **Η ανάστροφη φάση των γραμμών L (L1, L2, L3) μπορεί να εντοπιστεί (Κωδικός θλάθης: 4103), αλλά η ανάστροφη φάση των γραμμών L και της γραμμής N δεν είναι δυνατόν να εντοπιστεί.**
  - Μερικά ηλεκτρικά μέρη μπορεί να καταστραφούν αν τροφοδοτηθεί ρεύμα μέσω λανθασμένων καλωδιώσεων.
- **Εγκαταστήστε το καλώδιο τροφοδοσίας έτσι ώστε να μην είναι υπερβολικά τεντωμένο.**
  - Υπερβολικό τέντωμα μπορεί να κάνει το καλώδιο να σπάσει και να υπερθερμανθεί προκαλώντας πυρκαγιά.
- **Εγκαταστήστε έναν διακόπτη κυκλώματος διαρροής, όπως απαιτείται.**
  - Εάν δεν εγκατασταθεί ένας διακόπτης κυκλώματος διαρροής, μπορεί να προκληθεί ηλεκτροπληξία.
- **Χρησιμοποιήστε καλωδιακές γραμμές τροφοδοσίας επαρκούς χωρητικότητας και διαβάθμισης.**
  - Καλώδια, πολύ μικρής χωρητικότητας μπορεί να παρουσιάσουν διαρροή, να υπερθερμανθούν και να προκαλέσουν πυρκαγιά.
- **Χρησιμοποιήστε μόνον διακόπτη κυκλώματος και ασφάλεια της χωρητικότητας που προδιαγράφεται.**
  - Μία ασφάλεια ή ένας διακόπτης κυκλώματος μεγαλύτερης χωρητικότητας ή ένα ατσάλινο ή χάλκινο καλώδιο, μπορεί να κάψει την κεντρική μονάδα ή να προκαλέσει πυρκαγιά.
- **Μην πλένετε τις μονάδες του κλιματιστικού.**
  - Το πλύσιμο μπορεί να προκαλέσει ηλεκτροπληξία.
- **Βεβαιωθείτε ότι η βάση εγκατάστασης της μονάδας δεν έχει χαλάσει απ' την πολυκαιρή χρήση.**
  - Εάν η ζημιά δεν έχει διορθωθεί, η μονάδα ενδέχεται να πέσει και να προκαλέσει προσωπικούς τραυματισμούς ή υλικές ζημιές.
- **Εγκαταστήστε τη σωλήνωση αποστράγγισης σύμφωνα με τις οδηγίες ετούτου του Εγχειριδίου Εγκατάστασης, ώστε να είστε σίγουροι για σωστή αποστράγγιση. Τυλίξτε με τη θερμική μόνωση τους σωλήνες, ώστε να αποφευχθεί η συμπίκνωση.**
  - Ακατάλληλη σωλήνωση αποστράγγισης ενδέχεται να προκαλέσει διαρροή νερού, με αποτέλεσμα τη φθορά επίπλων ή άλλων περυσιακών στοιχείων.
- **Να είστε πολύ προσεκτικοί όσον αφορά την μεταφορά του προϊόντος.**
  - Εάν το προϊόν ζυγίζει πάνω από 20 kg, δεν πρέπει να μεταφέρεται από ένα μόνον άτομο.
  - Ορισμένα προϊόντα χρησιμοποιούν ιμάντες PP στη συσκευασία τους. Μην χρησιμοποιήσετε ποτέ τους ιμάντες PP για μεταφορά. Είναι επικίνδυνο.
  - Όταν μεταφέρετε την εξωτερική μονάδα κτλ. από τα ελάσματα στερέωσης, βεβαιωθείτε ότι στηρίζεται και στα τέσσερα σημεία. Εάν στηρίζεται σε τρία σημεία ή λιγότερα, μπορεί να μην είναι σταθερή και να πέσει όταν την αφήσετε κάτω.
- **Αχρηστέψτε ασφαλώς τα υλικά συσκευασίας.**
  - Υλικά συσκευασίας όπως καρφία κι άλλα μεταλλικά ή ξύλινα μέρη ενδέχεται να προκαλέσουν διαξίφισμούς ή άλλους τραυματισμούς.
  - Βγάλτε και πετάξτε την συσκευασία από πλαστικές σακούλες, έτσι ώστε τα παιδιά να μην παίξουν με αυτές. Αν τα παιδιά παίζουν με πλαστικές σακούλες που δεν έχουν αχρηστευθεί, διατρέχουν τον κίνδυνο να πάθουν ασφυξία.

## 1.5. Πριν αρχίσετε την δοκιμαστική λειτουργία

### ⚠ Προσοχή:

- **Ανοίξτε τον διακόπτη τροφοδοσίας τουλάχιστον 12 ώρες πριν την έναρξη λειτουργίας.**
  - Αρχίζοντας τη λειτουργία της συσκευής αμέσως μετά το άνοιγμα του κεντρικού διακόπτη τροφοδοσίας, ενδέχεται να προκληθεί σοβαρή ζημιά σε εσωτερικά τμήματα. Κατά την εποχή διάρκειας λειτουργίας της συσκευής, αφήστε τον διακόπτη τροφοδοσίας αναμμένο.
- **Μην αγγίζετε τους διακόπτες με βρεγμένα χέρια.**
  - Αγγίζοντας έναν διακόπτη με βρεγμένα χέρια μπορεί να προκληθεί ηλεκτροπληξία.
- **Μην αγγίζετε τις ψυκτικές σωληνώσεις κατά την διάρκεια και αμέσως μετά την λειτουργία.**

- Κατά την διάρκεια και αμέσως μετά την λειτουργία, οι ψυκτικές σωληνώσεις ενδέχεται να είναι πολύ ζεστές ή πολύ κρύες, ανάλογα με την κατάσταση του ψυκτικού που ρέει μέσα στις σωληνώσεις, το συμπιεστή και άλλα τμήματα του ψυκτικού κυκλώματος. Σε περίπτωση που αγγίζετε τις σωλήνες, τα χέρια σας ενδέχεται να πάθουν εγκαύματα ή κρουπαγήματα.
- **Μην θάξετε σε λειτουργία το κλιματιστικό χωρίς να είναι τοποθετημένα τα πλαίσια και τα ασφάλιστρα.**
  - Περιστρεφόμενα, καυτά ή υψηλής τάσεως μέρη μπορεί να προκαλέσουν τραυματισμούς.

- **Μην κλείνετε τον διακόπτη τροφοδοσίας αμέσως μετά την διακοπή λειτουργίας.**
  - Περιμένετε πάντα πέντε λεπτά το λιγότερο πριν κλείσετε τον διακόπτη τροφοδοσίας. Στην αντίθετη περίπτωση, ενδέχεται να παρουσιαστεί διακοπή νερού ή πρόβλημα.
- **Μην αγγίζετε την επιφάνεια του συμπιεστή κατά τη διάρκεια της λειτουργίας.**
  - Εάν η μονάδα είναι συνδεδεμένη στην παροχή ρεύματος αλλά δεν λειτουργεί, τότε έχει τεθεί σε λειτουργία ο θερμοαντήρας στροφαλοκιβωτίου στο συμπιεστή.

## 2. Συνδυασμοί με εσωτερικές μονάδες

Μοντέλο	PQRY-P200YEM-A	PQRY-P250YEM-A
Στάθμη θορύβου	51 dB <A>	52 dB <A>
Καθαρό βάρος	270 kg	280 kg
Επιτρεπόμενη πίεση	HP: 2,94 MPa, LP: 1,6 MPa	
Ψυκτικό	R407C: 7,5 kg	R407C: 8,5 kg
Εσωτερικές μονάδες	Συνολική ικανότητα	50 ~ 150 %
	Μοντέλο / Ποσότητα	20 ~ 200 / 1 ~ 15
Θερμοκρασία λειτουργίας	Θερμοκρασία νερού: 10°C ~ 45°C Σημείωση.1	

Σημείωση 1. Όταν η συνολική ικανότητα των εσωτερικών μονάδων υπερβαίνει το 130% της ικανότητας των εξωτερικών μονάδων, η θερμοκρασία λειτουργίας του νερού κυκλοφορίας κυμαίνεται μεταξύ 15°C ~ 45°C.

## 3. Επαλήθευση των εξαρτημάτων που προμηθεύονται

- ① Ελάσματα στερέωσης πλαισίου M12 × 4
- ② Πλάκα στερέωσης σωλήνων × 1
- ③ Βίδες περταινώματος M4 × 2
- ④ Σωλήνας σύνδεσης × 1 (Ο σωλήνας σύνδεσης είναι προσαρμοσμένος στη μονάδα.)
- ⑤ Επίθεμα (εσωτερική ø23, εξωτερική ø35) × 1
- ⑥ Δακτύλιοι × 2

## 4. Μέθοδος ανύψωσης

[Fig. 4.0.1] (P.2)

### ⚠ Προσοχή:

**Να είστε πολύ προσεκτικοί κατά τη μεταφορά του προϊόντος.**

- Εάν το προϊόν ζυγίζει περισσότερο από 20 kg, μην το μεταφέρετε με ένα μόνον άτομο.
- Οι ιμάντες PP χρησιμοποιούνται για την συσκευασία μερικών προϊόντων. Μην τους χρησιμοποιείτε για να μεταφέρετε το προϊόν διότι είναι επικίνδυνοι.
- Αφαιρέστε και πετάξτε τις πλαστικές σακούλες της συσκευασίας, ώστε τα παιδιά να μην παίζουν με αυτές. Διαφορετικά, κάποιο παιδί ενδέχεται να πάθε ασφυξία από σακούλα συσκευασίας.
- Όταν μεταφέρετε τη θερμοαντική μονάδα, κλπ. δια μέσου των βιδών με παξιμάδι, στερεώστε καλά τις βίδες και στα τέσσερα σημεία τους. Εάν οι βίδες με παξιμάδι έχουν στερεωθεί μόνο σε τρία ή λιγότερα σημεία, η μονάδα θα είναι ασταθής και είναι πιθανό να πέσει όταν την ακουμπήσετε κάτω.

## 5. Εγκατάσταση της μονάδας και διαθέσιμος χώρος για επισκευή

### 5.1. Εγκατάσταση

- Χρησιμοποιώντας τις σπές στηρίξεως που φαίνονται παρακάτω, βιδώστε ερμητικά τη μονάδα στη βάση της.

[Fig. 5.1.1] (P.2)

- Ⓐ Θερμαντική μονάδα
- Ⓑ 4-ø14 (Οπή στηρίξεως)
- Ⓒ (Κάτοψη)

#### Βάσεις και αποφυγή κραδασμών

- Βεβαιωθείτε ότι έχετε εγκαταστήσει τη μονάδα σε μέρος ανθεκτικό, που να αντέχει το βάρος της. Εάν η βάση είναι ασταθής, ενισχύστε την με μία ταμμεντένια βάση.
- Η μονάδα πρέπει να στηρίζεται σε επίπεδη επιφάνεια. Χρησιμοποιήστε ένα αλφάδι, ώστε να ελέγξετε τη μονάδα μετά την εγκατάστασή της.
- Πρέπει να τοποθετήσετε παραβλήματα προς αποφυγή κραδασμών κάτω από τη βάση της μονάδας.
- Εάν η μονάδα έχει εγκατασταθεί κοντά σε χώρο όπου ο θόρυβος δημιουργεί πρόβλημα, συνιστάται η χρησιμοποίηση υποστηρίγματος στη βάση της μονάδας προς αποφυγή των κραδασμών.

[Fig. 5.1.2] (P.2)

- Ⓐ Παράβλημα αποφυγής κραδασμών
- Ⓑ Ταμμεντένια βάση

### ⚠ Προειδοποίηση:

- **Βεβαιωθείτε ότι το μέρος που θα εγκαταστήσετε τη μονάδα είναι αρκετά ισχυρό ώστε να αντέχει το θάρος της. Εάν δεν είναι αρκετά ισχυρό, η μονάδα ενδέχεται να πέσει με αποτέλεσμα τον τραυματισμό ατόμων.**
- **Εκτελέστε σωστά τις εργασίες εγκατάστασης, ώστε να προστατέψετε τη μονάδα από σεισμό. Οποιαδήποτε εσφαλμένη εγκατάσταση ενδέχεται να προκαλέσει την πτώση της μονάδας, με αποτέλεσμα σωματικό τραυματισμό.**

### 5.2. Διαθέσιμος χώρος Επισκευής

- Παρακαλούμε, αφήστε αρκετό κενό χώρο για τις ακόλουθες επισκευές μετά την εγκατάσταση. (Όλες οι επισκευές μπορούν να πραγματοποιηθούν από το πρόσθιο μέρος της μονάδας).

[Fig. 5.2.1] (P.2)

- Ⓐ Χώρος σωληνώσεων (για την αριστερή σωλήνωση)
- Ⓑ Θερμαντική μονάδα
- Ⓒ Διαθέσιμος χώρος επισκευών (πρόσθια πλευρά)
- Ⓓ (Κάτοψη)

[Fig. 5.2.2] (P.2)

- Ⓔ Χώρος σωληνώσεων (για σωλήνωση από το πάνω μέρος)
- Ⓕ Χώρος σωληνώσεων (για την αριστερή σωλήνωση)
- Ⓖ Θερμαντική μονάδα
- Ⓗ (Πρόσοψη)

## 6. Εγκατάσταση σωλήνας νερού

- Οι σωλήνες της σειράς City Multi WR2 Series μοιάζουν με άλλες σωλήνες κλιματιστικών χώρου. Παρ' όλα αυτά, παρακαλούμε μελετήστε προσεκτικά τις οδηγίες προφύλαξης κατά την εγκατάσταση.

### 6.1. Προφυλάξεις κατά την εγκατάσταση

- Χρησιμοποιήστε τη μέθοδο αντίστροφης-επαναφοράς, ώστε να επιβεβαιωθείτε για την ανθεκτικότητα των σωλήνων της κάθε μονάδας.

- Για να εξασφαλίσετε την εύκολη συντήρηση, έλεχο και αντικατάσταση της μονάδας, χρησιμοποιήστε στη θυρίδα εισαγωγής και εξαγωγής νερού, τον κατάλληλο σύνδεσμο, βαλβίδα κ.λ.π. Επίσης, βεβαιωθείτε ότι έχετε τοποθετήσει διηθητήρα στο σωλήνα εισαγωγής και εξαγωγής νερού. (Προκειμένου να προστατεύσετε τη θερμαντική μονάδα, είναι απαραίτητη η χρήση ενός διηθητήρα στην είσοδο του κυκλώματος νερού).

\* Στο παρακάτω διάγραμμα διακρίνεται ένα παράδειγμα εγκατάστασης της θερμαντικής μονάδας.

- Τοποθετήστε ένα ειδικό στόμιο εξαερισμού στο σωλήνα νερού. Μετά την έναρξη ροής του νερού στο σωλήνα, βεβαιωθείτε ότι ο υπόλοιπος αέρας εξαερώθηκε.
- Είναι πιθανό να συγκεντρωθεί συμπιεσμένο νερό στα τμήματα χαμηλής θερμοκρασίας της θερμαντικής μονάδας. Χρησιμοποιείστε ένα σωλήνα αποστράγγισης συνδεδεμένο με τη βαλβίδα αποστράγγισης που βρίσκεται στη βάση της μονάδας, προκειμένου να αποστραγγίσετε το νερό.
- Στη μέση της μονάδας και στο πάνω μέρος της εισόδου νερού στο κέντρο του εναλλάκτη θερμότητας, υπάρχει ένα πάμα στο στόμιο εξαερισμού του νερού. Χρησιμοποιείστε το πάμα αυτό για συντήρηση, κλπ.

Επιπλέον, κανένα ηλεκτρικό εξάρτημα (όπως η σπείρα της ηλεκτρομαγνητικής βαλβίδας ή το τροφοδοτικό του συμπιεστή) δεν πρέπει να βραχεί.

- Πάνω στην αντλία εγκαταστήστε μία βαλβίδα προστασίας αντίστροφης ροής και έναν ελαστικό σύνδεσμο για να αποφυγείτε επιπλέον κραδασμούς.
- Χρησιμοποιείστε ένα κυλινδρικό περίβλημα για να προστατέψετε τις σωλήνες, στα σημεία που εισχωρούν μέσα στον τοίχο.
- Χρησιμοποιείστε μεταλλικά προσαρτήματα για να ασφαλίσετε τους σωλήνες και εγκαταστήστε τα κατά τέτοιο τρόπο ώστε οι σωλήνες να προστατεύονται όσο γίνεται περισσότερο από λύγισμα και σπάσιμο.
- Μην μπερδεύεται τις βαλβίδες εισαγωγής και εξαγωγής νερού.
- Η μονάδα αυτή δε διαθέτει θερμαντήρα για την πρόληψη του παγώματος στο εσωτερικό των σωλήνων. Όταν η ροή του ύδατος σταματάει σε περιοχές με χαμηλή θερμοκρασία, αδειάστε το νερό από τους σωλήνες.
- Οι εκ των προτέρων ανοιγμένες τρύπες που δεν χρησιμοποιήθηκαν πρέπει να κλείσουν και τα ανοίγματα των σωλήνων ψυκτικού και νερού, των καλωδίων τροφοδοσίας και μετάδοσης πρέπει να σφραγιστούν με στόκο για προστασία από τη βροχή. (εργασία επίτοπου)

#### Παράδειγμα εγκατάστασης της θερμαντικής μονάδας (χρησιμοποιώντας αριστερή σωλήνωση)

[Fig. 6.1.1] (P.2)

- Ⓐ Σωλήνας ανακύκλωσης νερού
- Ⓑ Βαλβίδα για κλείσιμο
- Ⓒ Βαλβίδα για κλείσιμο
- Ⓓ Εξόδος νερού
- Ⓔ Σωλήνωση ψυκτικού
- Ⓕ Διηθητικό φίλτρο τύπου Y
- Ⓖ Είσοδος νερού
- Ⓗ Σωλήνα αποστράγγισης

## 6.2. Εγκατάσταση μόνωσης

Με τις σωληνώσεις City Multi WR2 Series, όσο η κλίμακα διακυμάνσεως θερμοκρασίας της ανακύκλωσης νερού, διατηρείται όλο το χρόνο σε θερμοκρασίες περίπου 30°K. το καλοκαίρι και 20°K. το χειμώνα, δεν χρειάζεται να κάνετε μόνωση ή άλλου είδους προστασία των εσωτερικών σωληνώσεων. Πρέπει να κάνετε μόνωση στις ακόλουθες περιπτώσεις:

- Σε οποιαδήποτε εξωτερική σωλήνωση.
- Εσωτερικές σωληνώσεις σε ψυχρές περιοχές όπου οι σωληνώσεις παγώνουν δημιουργώντας πρόβλημα.
- Όταν ο αέρας που έρχεται από έξω προκαλεί συμπύκνωση που σχηματίζεται στις σωληνώσεις.
- Οποιαδήποτε σωλήνωση αποστράγγισης.

## 7. Εγκατάσταση σωληνώσεων ψυκτικού

Τα μοντέλα της σειράς City Multi WR2 Series απαρτίζονται από σύστημα τερματικού διακλάδωσης στο οποίο η σωλήνωση ψυκτικού από την εξωτερική μονάδα διακλαδίζεται σε μηχανισμό ελέγχου BC με τον οποίο συνδέονται όλες οι εσωτερικές μονάδες.

Η μέθοδος σύνδεσης που εφαρμόζεται είναι της σύνδεσης με φλάντζα για σωλήνες χαμηλής πίεσης και της σύνδεσης με εκχείλωση για σωλήνες υψηλής πίεσης μεταξύ εξωτερικής μονάδας και μηχανισμού ελέγχου BC. Η σύνδεση μεταξύ μηχανισμού ελέγχου BC και εσωτερικών μονάδων είναι της σύνδεσης με εκχείλωση του άκρου του σωλήνα. Ορειχαλκοκολλήσεις γίνονται στις ενώσεις μεταξύ σετ σωλήνων και σετ διακλαδώσεων.

## 6.3. Διεξαγωγή νερού και έλεγχος ποιότητας νερού

Για να διατηρείται σε καλή κατάσταση την ποιότητα του νερού, χρησιμοποιείστε τον κλειστό τύπο ψυκτικού πύργου για WR2.

Όταν δεν γίνεται καλή ανακύκλωση νερού, ο εναλλάκτης θερμότητας νερού μπορεί να κάνει διακοπές, οι οποίες να οδηγήσουν σε μείωση της ισχύος εναλλαγής θερμότητας και σε πιθανή σκωρίαση του εναλλάκτη θερμότητας. Παρακαλούμε, δώστε μεγάλη προσοχή κατά την εγκατάσταση του συστήματος ανακύκλωσης νερού, όσον αφορά την διεξαγωγή και τον έλεγχο ποιότητας του νερού.

- Αφαίρεση Ξένων αντικειμένων και προσμίξεων από τις σωληνώσεις. Κατά την εγκατάσταση να είστε πολύ προσεκτικοί, ώστε να μην εισχωρήσουν Ξένα αντικείμενα, όπως υπολείμματα επικόλλησης, κομματάκια σφράγισης ή σκουριάς στις σωληνώσεις.

- Διεξαγωγή Ποιότητας Νερού

① Ανάλογα με την ποιότητα του κρύου νερού που χρησιμοποιείται από το κλιματιστικό, οι χάλκινες σωληνώσεις του εναλλάκτη θερμότητας είναι πιθανό να οξειδωθούν. Συνιστάμε σε τακτά διαστήματα, την διεξαγωγή ελέγχου ποιότητας του νερού.

Τα συστήματα ανακύκλωσης κρύου νερού που χρησιμοποιούν ανοικτές δεξαμενές αποθήκευσης θερμότητας είναι ιδιαίτερα επιρρεπή στην οξείδωση.

② Προδιαγραφές ποιότητας νερού

Στοιχεία		Αποδεκτές τιμές
Τυπικά στοιχεία	PH (25°C)	7,0 ~ 8,0
	Ηλεκτρική αγωγιμότητα (25°C) (μs/cm)	300 ή λιγότερο
	Ιόντα χλωρίου Cl <sup>-</sup> (mg/l)	50 ή λιγότερο
	Θειικά ιόντα SO <sub>4</sub> <sup>2-</sup> (mg/l)	50 ή λιγότερο
	M-αλκαλικότητα σε CaCO <sub>3</sub> (mg/l)	50 ή λιγότερο
	Ολική σκληρότητα σε CaCO <sub>3</sub> (mg/l)	70 ή λιγότερο
Στοιχεία αναφοράς Σημείωση. 2	Σιδηρός Fe (mg/l)	1,0 ή λιγότερο
	Θειικά ιόντα S <sup>2-</sup> (mg/l)	Δεν έχει ανιχνευθεί
	Ιόντα αμμωνίου NH <sub>4</sub> <sup>+</sup> (mg/l)	Δεν έχει ανιχνευθεί
	Διοξείδιο πυριτίου SiO <sub>2</sub> (mg/l)	30 ή λιγότερο

Σημείωση.2 Έχει αποδειχθεί ότι η σύσταση που περιλαμβάνει τα στοιχεία αναφοράς είναι επιβλαβής. Ωστόσο, η σχέση μεταξύ ποσότητας του συστατικού και επικινδυνότητας δεν έχει ακόμη αποσαφηνιστεί. Επομένως, χαρακτηρίζονται ως στοιχεία αναφοράς.

③ Παρακαλούμε απευθυνθείτε σε έναν ειδικό για τον έλεγχο ποιότητας νερού, όσον αφορά τις μεθόδους και τις μετρήσεις ελέγχου ποιότητας του νερού πριν προχωρήσετε σε άλλες αντιοξειδωτικές μεθόδους για την βελτίωση της ποιότητας του νερού.

④ Όταν πρόκειται να αντικαταστήσετε ένα πρόσφατα εγκαταστημένο σύστημα κλιματισμού (ακόμη κι αν αντικατασταθεί μόνον ο εναλλάκτης θερμότητας), πραγματοποιήστε πρώτα έναν έλεγχο και μία ανάλυση ποιότητας νερού, για πιθανή οξείδωση.

Οξείδωση μπορεί να δημιουργηθεί σε συστήματα ύδρευσης κρύου νερού, ακόμη κι αν δεν υπάρχει προηγούμενη ένδειξη οξείδωσης.

Εάν ο βαθμός της ποιότητας νερού δεν είναι καλός, παρακαλούμε βελτιώστε την ποιότητα του νερού πριν επανασυνδέσετε τη μονάδα.

## 6.4. Ενδασφάλεια της αντλίας

Η θερμαντική μονάδα μπορεί να πάθει ζημιά εάν λειτουργήσει χωρίς την κυκλοφορία νερού μέσα στις σωληνώσεις.

Βεβαιωθείτε ότι ενδασφαλίσατε τη λειτουργία της μονάδας με την αντλία του κυκλώματος νερού. Χρησιμοποιείστε τους ακροδέκτες για ενδασφάλεια (TB8-3, 4) που θα βρείτε πάνω στη μονάδα. Σε περίπτωση που ενδασφαλίσετε το σημείο ένωσης του κυκλώματος της αντλίας στο TB8-3, 4, βγάλτε το καλώδιο βραχυκυκλώματος. Επίσης, προκειμένου να αποφύγετε λανθασμένη, άκυρη ανίχνευση που τυχόν προκληθεί από ελλιπή σύνδεση, χρησιμοποιείστε στη βαλβίδα συμπίεσης 63PW, ρεύμα χαμηλής τάσης των 5mA ή λιγότερο.

[Fig. 6.4.1] (P.2)

- Ⓐ Καλώδιο βραχυκυκλώματος (Συνδέεται πριν από την παράδοση από τον κατασκευαστή)
- Ⓑ Ένωση κυκλώματος ενδασφάλειας της αντλίας

### ⚠ Προειδοποίηση:

Όταν χρησιμοποιείτε φωτιά ή φλόγα, να είστε πάντα άκρως ιδιαίτερως προσεκτικοί ώστε να προλαμβάνετε τυχόν διαρροή του ψυκτικού αερίου (R407C). Αν το ψυκτικό αέριο έρθει σε επαφή με φλόγα οποιασδήποτε πηγής, όπως για παράδειγμα ένα καμινέτο, δημιουργεί και ελευθερώνει ένα δηλητηριώδες αέριο το οποίο μπορεί να προκαλέσει δηλητηριάσεις. Μην κάνετε ποτέ οξυγονοκολλήσεις σε χώρους που δεν αερίζονται καλά. Επιθεωρείτε πάντα προσεχτικά τους σωλήνες ψυκτικού για τυχόν διαρροή αερίου, μετά την ολοκλήρωση της εγκατάστασής τους.

## 7.1. Προσοχή

- Χρησιμοποιείτε τα παρακάτω υλικά για τη σωλήνωση ψυκτικού
  - Υλικό: Χρησιμοποιείτε σωληνώσεις ψυκτικού κατασκευασμένες από αποξειδωμένο φωσφορικό χαλκό. Επιπλέον, βεβαιωθείτε ότι οι εσωτερικές και οι εξωτερικές επιφάνειες των σωλήνων είναι καθαρές και δεν περιέχουν επικίνδυνο θειάφι, οξειδία, σκόνη/βρωμιά, κόκκους ρινίσματος, λάδια, υγρασία ή άλλες προσμίξεις. (Για τα μοντέλα R407C)
- Οι σωλήνες του εμπορίου συχνά περιέχουν πολύ σκόνη και άλλα υλικά. Πάντα να τις καθαρίζετε φυσώντας τες με ξηρό αδρανές αέριο.
- Κατά την διάρκεια της εγκατάστασης, προσέχετε ώστε να προλαμβάνετε την εισχώρηση σκόνης, νερού και άλλων επιβλαβών ουσιών στους σωλήνες ψυκτικού.
- Ελαττώστε τον αριθμό των λυγιζόμενων τεμαχίων κατά το ελάχιστο δυνατό και φροντίστε η γωνία κάμψης να είναι όσο το δυνατόν μεγαλύτερη.
- Εφαρμόζετε πάντα τους περιορισμούς που υπάρχουν σχετικά με τους σωλήνες ψυκτικού (όπως μέγιστο μήκος, διαφορά υψηλής / χαμηλής πίεσης και τη διάμετρο των σωλήνων). Αν παραλείψετε την διαδικασία αυτή μπορεί να προκληθεί βλάβη των συσκευών ή σταδιακή μείωση της απόδοσης κλιματισμού με ζεστό ή κρύο αέρα.
- Τα θερματικά διακλαδώσεων City Multi WR2 Series διακόπτουν τη λειτουργία τους όταν υπάρχει ανωμαλία που οφείλεται σε υπερβολική ή ανεπαρκή ποσότητα ψυκτικού. Σ' αυτές τις περιπτώσεις, φορτίζετε πάντα τη μονάδα με τον τρόπο που προβλέπεται. Όταν κάνετε συντήρηση, να συμβουλευέστε πάντα τις σημειώσεις που αφορούν το μήκος των σωλήνων ψυκτικού και την πρόσθετη ποσότητα ψυκτικού που απαιτείται και στις δύο θέσεις, τον πίνακα υπολογισμού της ποσότητας ψυκτικού που βρίσκεται τυπωμένο στο πίσω μέρος του πλαισίου συντήρησης και το τμήμα στις ετικέτες σχετικά με το πρόσθετο ψυκτικό για το συνδυασμένο αριθμό των εσωτερικών μονάδων.
- Για να γεμίσετε το σύστημα, χρησιμοποιείτε ψυκτικό υγρό.**
- Μην χρησιμοποιείτε ποτέ ψυκτικό για το καθαρίσμα του αέρα. Εκκινώνετε πάντα χρησιμοποιώντας μία αντλία κενού.
- Μονώνετε πάντα σωστά τους σωλήνες. Ανεπαρκής μόνωση θα προκαλέσει μειωμένη απόδοση του κλιματισμού της λειτουργίας θέρμανση/ψύξη, στάξιμο νερού από τη συμπύκνωση και άλλα παρόμοια προβλήματα.
- Όταν κάνετε τη σύνδεση των σωλήνων ψυκτικού, βεβαιωθείτε ότι η σφαιρική βαλβίδα της εξωτερικής μονάδας είναι τελειώς κλειστή (έτσι έχει ρυθμιστεί από το εργοστάσιο) και μην τη θέσετε σε λειτουργία έως ότου γίνει η σύνδεση των σωλήνων ψυκτικού στις εξωτερικές και εσωτερικές μονάδες, έως ότου εκτελεστεί δοκιμή διαρροής του ψυκτικού και προτού ολοκληρωθεί η διαδικασία εκκένωσης.
- Χρησιμοποιείτε πάντα αντισκωριακό υλικό συγκολλήσεων για τις συγκολλήσεις των σωλήνων. Εάν δεν χρησιμοποιηθεί αντισκωριακό υλικό συγκολλήσεων, μπορεί να προκληθεί απόφραξη ή βλάβη στη μονάδα του συμπιεστή.
- Ποτέ μην εκτελείτε τις εργασίες σύνδεσης σωλήνων της εξωτερικής μονάδας όταν θρέχει.**

### ⚠ Προειδοποίηση:

Όταν κάνετε την εγκατάσταση και μετακινείτε τη μονάδα σε άλλη θέση, μη φορτίζετε με άλλο ψυκτικό μίγμα, από το ψυκτικό (R407C) που προδιαγράφεται πάνω στη μονάδα.

- Αναμιγνύοντας ένα διαφορετικό ψυκτικό μίγμα, αέρα, κλπ. ενδέχεται να προκληθεί βλάβη στον ψυκτικό κύκλο με αποτέλεσμα σοβαρή ζημιά.

## 8. Συμπληρωματική πλήρωση με ψυκτικό

Κατά την παράδοση από το εργοστάσιο, η εξωτερική μονάδα έχει πληρωθεί με ψυκτικό. Επειδή στην ποσότητα αυτή δεν συμπεριλαμβάνεται η αντίστοιχη ποσότητα που απαιτείται για την επέκταση των σωλήνων, θα χρειαστεί συμπληρωματική πλήρωση με ψυκτικό για κάθε ψυκτικό σωλήνα. Για να γίνεται η μελλοντική συντήρηση της μονάδας όπως προβλέπεται, πρέπει πάντα να τηρείτε στοιχεία για το μέγεθος και το μήκος κάθε σωλήνα ψυκτικού καθώς και για την ποσότητα συμπληρωματικού ψυκτικού που απαιτείται. Τα στοιχεία αυτά γράφονται σε ειδικό μέρος που βρίσκεται στην εξωτερική μονάδα.

### 8.1. Υπολογισμός συμπληρωματικής ποσότητας ψυκτικού

- Υπολογίστε την ποσότητα συμπληρωματικού ψυκτικού που απαιτείται με βάση το μήκος της επέκτασης των σωλήνων ψυκτικού και το μέγεθος των σωλήνων ψυκτικού.
- Χρησιμοποιήστε τον πίνακα παραπλεύρως σαν οδηγό και υπολογίστε την ποσότητα συμπληρωματικού ψυκτικού που απαιτείται και πληρώστε το σύστημα ανάλογα.
- Εάν το αποτέλεσμα του υπολογισμού δώσει κλάσμα μικρότερο από 0,1 kg. Για παράδειγμα, εάν το αποτέλεσμα του υπολογισμού ήταν 10,62 kg, στρογγυλέψτε το αποτέλεσμα ώστε να είναι 10,7 kg.

### ⚠ Προσοχή:

- Χρησιμοποιήστε μία αντλία κενού με βαλβίδα ελέγχου αντίστροφης ροής. (Για τα μοντέλα R407C)**
  - Εάν η αντλία κενού δεν έχει βαλβίδα ελέγχου αντίστροφης ροής, το λάδι της αντλίας κενού θα τρέξει προς τα πίσω διεισδύοντας στον ψυκτικό κύκλο και θα προκαλέσει την αλλοίωση του ψυκτικού λαδιού καθώς και άλλα προβλήματα.
- Μην χρησιμοποιείτε τα εργαλεία που αναφέρονται παρακάτω και που χρησιμοποιούνται με συνηθισμένα ψυκτικά. (Για τα μοντέλα R407C) (Πολλαπλό γνώμονα, σωλήνα φόρτισης, κύλινδρο φόρτισης, ρυθμιστική βαλβίδα, βάση φόρτισης ψυκτικού, μετρητή κενού αέρος, εξοπλισμός αναπλήρωσης ψυκτικού)**
  - Αν αναμιχθούν το συνηθισμένο ψυκτικό και το ψυκτικό λάδι μπορεί να προκληθεί αλλοίωση της ποιότητας του ψυκτικού.
  - Αν αναμιχθεί νερό, μπορεί να αλλοιωθεί το ψυκτικό λάδι.
  - Από την στιγμή που το R407C δεν περιέχει καθόλου χλώριο, οι ανιχνευτές διαρροής αερίου των συνηθισμένων ψυκτικών, δεν πρόκειται να αντιδράσουν σ' αυτό.
- Να είστε ιδιαίτερα προσεκτικοί όταν χειρίζεστε τα εργαλεία. (Για τα μοντέλα R407C)**
  - Αν εισέλθουν νερό, σκόνη ή βρωμιά στον ψυκτικό κύκλο, μπορεί να αλλοιωθεί η ποιότητα του ψυκτικού μίγματος.
- Μη χρησιμοποιείτε ποτέ τις παλιές σωληνώσεις ψυκτικού. (Για τα μοντέλα R407C)**
  - Η μεγάλη ποσότητα χλωρίου στο συνηθισμένο ψυκτικό και το ψυκτικό λάδι στην παλιά σωλήνωση, θα προκαλέσουν την αλλοίωση του νέου ψυκτικού.
- Αποθηκεύστε τις σωληνώσεις που θα χρησιμοποιηθούν για την εγκατάσταση σε εσωτερικό χώρο και φυλάξτε και τα δύο άκρα των σωληνώσεων σφραγισμένα μέχρις ότου γίνει η συγκόλληση.**
  - Εάν τυχόν εισέλθουν σκόνη, βρωμιά ή νερό στον ψυκτικό κύκλο, ενδέχεται να αλλοιωθεί η ποιότητα του λαδιού ή να δημιουργηθούν προβλήματα στο συμπιεστή.
- Μην χρησιμοποιείτε κύλινδρο γόμωσης. (Για τα μοντέλα R407C)**
  - Χρησιμοποιώντας κύλινδρο γόμωσης, μπορεί να αλλοιωθεί το ψυκτικό μίγμα.
- Μην χρησιμοποιείτε ειδικά απορρυπαντικά για το καθαρίσμα των σωλήνων.**

## 7.2. Σύστημα σωληνώσεων ψυκτικού

Παραδείγματα Σύνδεσης

[Fig. 7.2.1] (P.3)

- |   |  |
|---|--|
| <input type="checkbox"/> Α Σωλήνας υψηλ. πίεσης                             | <input type="checkbox"/> Β Σωλήνας χαμ. πίεσης |
| <input type="checkbox"/> Γ Σύνδεση εξωτερικής μονάδας/μηχανισμού ελέγχου BC |  |
| <input type="checkbox"/> Δ Συνολική απόδοση εσωτερικών μονάδων              |  |
| <input type="checkbox"/> Ε Σωλήνωση Υγρού                                   | <input type="checkbox"/> Φ Σωλήνωση Αερίου     |
| <input type="checkbox"/> Ζ Αριθμός μοντέλου                                 |  |
| <input type="checkbox"/> Α Μηχανισμός Ελέγχου BC                            |  |
| <input type="checkbox"/> Β Εσωτερική Μονάδα (20~140)                        |  |
| <input type="checkbox"/> Γ Εσωτερική Μονάδα (200, 250)                      |  |

### <Συμπληρωματική Πλήρωση>

Συμπληρωματική Πλήρωση Ψυκτικού (kg)	=	Μέγεθος σωλήνων υγρού Συνολικού μήκους $\phi 19,5 \times 0,16$ (m) $\times 0,16$ (kg/m)	+	Μέγεθος σωλήνων υγρού Συνολικού μήκους $\phi 9,52 \times 0,06$ (m) $\times 0,06$ (kg/m)	+	Μέγεθος σωλήνων υγρού Συνολικού μήκους $\phi 6,35 \times 0,024$ (m) $\times 0,024$ (kg/m)	+ α
--------------------------------------	---	---	---	---	---	---	-----

### <Παράδειγμα>

Εσωτερική 1: 40	A: $\phi 19,05$	40 m	a: $\phi 6,35$	10 m	} Με τις παρακάτω προϋποθέσεις:
2: 100	B: $\phi 9,52$	10 m	b: $\phi 9,52$	5 m	
3: 40	C: $\phi 9,52$	15 m	c: $\phi 6,35$	10 m	
4: 32			d: $\phi 6,35$	10 m	
5: 63			e: $\phi 9,52$	10 m	

Το συνολικό μήκος κάθε σωλήνα υγρού είναι:

$\phi 19,05$ : A = 40 m

$\phi 9,52$ : B + b + e = 10 + 5 + 10 = 25 m

$\phi 6,35$ : a + c + d = 10 + 10 + 10 = 30 m

Επομένως,

<Παράδειγμα υπολογισμού>

Συμπληρωματική πλήρωση ψυκτικού

$$= 40 \times 0,16 + 25 \times 0,06 + 30 \times 0,024 + 2 = 10,7 \text{ kg}$$

Τμή του α

Συνολική απόδοση σύνδεσης εσωτερικών μονάδων	α
έως το Μοντέλο 80	1,0 kg
Μοντέλα 81 έως 160	1,5 kg
Μοντέλα 161 έως 330	2,0 kg
Μοντέλα 331 έως 375	2,5 kg

## 8.2. Προσοχή για την σύνδεση του συστήματος σωληνώσεων/λειτουργία βαλβίδας

- Κάντε τη σύνδεση των σωληνώσεων και τη λειτουργία της βαλβίδας με ακρίβεια.
- Ο σωλήνας της πλευράς του αερίου ή της πλευράς χαμηλής πίεσης είναι συναρμολογημένος για μεταφορά.

- 1 Για τη συγκόλληση του σωλήνα με φλάντζα, βγάλτε το σωλήνα σύνδεσης με φλάντζα από τη σφαιρική βαλβίδα και κάνετε τη συγκόλληση στο εξωτερικό μέρος της μονάδας.
- 2 Στο διάστημα που έχετε βγάλει το σωλήνα σύνδεσης με φλάντζα, βγάλτε το σφράγισμα που είναι κολλημένο στο πίσω μέρος αυτού του φύλλου και προσαρμόστε το στη σφαιρική βαλβίδα στη θέση που ήταν η φλάντζα, ώστε να εμποδίσετε τη σκόνη να εισχωρήσει μέσα στη βαλβίδα.
- 3 Το κύκλωμα ψυκτικού είναι κλειστό από το εργοστάσιο με τοποθέτηση ενός στρογγυλού στεγανού παρεμβάσματος χωρίς άνοιγμα στο μέσον (φλάντζα), για να προληφθεί τυχόν διαρροή αερίου ανάμεσα στις φλάντζες. Επειδή σ' αυτή την κατάσταση, η βαλβίδα δεν μπορεί να λειτουργήσει αντικαταστήστε αυτή τη φλάντζα με τη φλάντζα που έχει το άνοιγμα στο μέσον και την οποία θα βρείτε στερεωμένη στο σημείο σύνδεσης του σωλήνα.
- 4 Πριν τοποθετήσετε το στεγανό του κοιλώματος, καθαρίστε τη σκόνη που τυχόν έχει επικαθίσει στις επιφάνειες του στεγανού. Επίσης, λαδώστε με ψυκτικό λάδι (Λάδι εστέρα, λάδι αιθέρα ή αλκυλιοβενζόλη [μικρή ποσότητα]) μηχανών και τις δύο επιφάνειες του στεγανού.

### [Fig. 8.2.1] (P.3)

- Μετά την εκκένωση και την πλήρωση ψυκτικού, βεβαιωθείτε ότι έχετε ανοίξει τελειώς το χερούλι. Βάζοντας σε λειτουργία τη μονάδα με τη βαλβίδα κλειστή θα μεταδοθεί ακανόνιστη πίεση στην πλευρά υψηλής ή χαμηλής πίεσης του κυκλώματος ψυκτικού, το οποίο θα προκαλέσει βλάβη στο συμπιεστή, στη βαλβίδα τεσοάρων διευθυνσεων, κλπ.
- Χρησιμοποιώντας τον τύπο υπολογισμού βρείτε την ποσότητα συμπληρωματικού ψυκτικού που απαιτείται και συμπληρώστε ψυκτικό μέσω της θυρίδας συντήρησης, αφού πρώτα τελειώσετε τη σύνδεση των σωλήνων.
- Μετά την ολοκλήρωση των εργασιών σφίξτε καλά τη θυρίδα συντήρησης και ασφαλίστε καλά το καπάκι ώστε να είναι βέβαιο ότι δεν θα υπάρχει διαρροή αερίου.

### [Fig. 8.2.2] (P.3)

- <A> [Σφαιρική Βαλβίδα (πλευρά χαμηλής πίεσης)]  
<B> [Σφαιρική Βαλβίδα (πλευρά υψηλής πίεσης)]  
(Το σχήμα αυτό δείχνει τη βαλβίδα σε τελειώς ανοιχτή κατάσταση.)
- Α Διωστήρας Βαλβίδας  
[Εντελώς κλειστό από το εργοστάσιο, όταν συνδέετε τις σωληνώσεις, όταν κάνετε εκκένωση και όταν γεμίσετε συμπληρωματική ποσότητα ψυκτικού. Ανοίξτε το εντελώς όταν ολοκληρώσετε τις παραπάνω εργασίες.]
  - Β Ανασταλτική περόνη [Εμποδίζει τον διωστήρα βαλβίδας να στρέφεται σε 90° μοίρες ή περισσότερο.]
  - Γ Στεγανοποίηση (εξάρτημα)
  - Δ Σωλήνας σύνδεσης (εξάρτημα)  
[Χρησιμοποιήστε τη στεγανοποίηση και τοποθετήστε ασφαλώς αυτόν το σωλήνα στη φλάντζα της βαλβίδας, έτσι ώστε να μην υπάρχει διαρροή αερίου. (Ροπή στρέψης: 25 N·m (250 kg·cm)) Επαλείψτε και τις δύο επιφάνειες της στεγανοποίησης με ψυκτικό λάδι (Λάδι εστέρα, λάδι αιθέρα ή αλκυλιοβενζόλη [μικρή ποσότητα]).]
  - Ε Άνοιγμα (Λειτουργήστε αργά)
  - Ε Καπάκι στεγανοποίησης, μπροστίζινο  
[Αφαιρέστε το καπάκι και βάλτε σε λειτουργία τον διωστήρα βαλβίδας. Βάζετε πάντα το καπάκι στη θέση του μετά την ολοκλήρωση της λειτουργίας. (Ροπή στρέψης καπακιού διωστήρα βαλβίδας: 25 N·m (250 kg·cm) ή περισσότερο)]
  - Θ Θυρίδα συντήρησης  
[Χρησιμοποιήστε αυτή τη θυρίδα για να εκκενώσετε τις ψυκτικές σωληνώσεις και να ανανεώσετε το ψυκτικό στη θέση εγκατάστασης. Ανοίγεται και κλείνεται τη θυρίδα χρησιμοποιώντας ένα διπλό κλειδί. Αβάζετε πάντα το καπάκι στη θέση του όταν ολοκληρώνεται την εργασία. (Ροπή στρέψης καπακιού της θυρίδας συντήρησης: 14 N·m (140 kg·cm) ή περισσότερο)]

- ⊕ Περικόχλιο εκχείλωσης  
[Ροπή στρέψης: 120 N·m (1200 kg·cm).  
Χαλαρώστε και σφίγγετε αυτό το περικόχλιο χρησιμοποιώντας ένα διπλό κλειδί.  
Επαλείψτε τις επιφάνειες επαφής της εκχείλωσης με ψυκτικό λάδι (Λάδι εστέρα, λάδι αιθέρα ή αλκυλιοβενζόλη [μικρή ποσότητα]).]
- ① διάμετρος ϕ19,05
- ② διάμετρος ϕ25,4 (PQRV-P200)  
διάμετρος ϕ28,58 (PQRV-P250)
- Ⓚ Σωλήνας εμπορίου  
[Συγκολλήστε με το σωλήνα σύνδεσης. (Κατά τη συγκόλληση, χρησιμοποιήστε αντισκωριακό υλικό.)]
- Ⓛ Κλειστή συσκευασία
- Ⓜ Στεγανό Κοιλώματος

Προβλεπόμενη ροπή στρέψης με κλειδί στρέψης:

Εξωτερική διάμετρος χαλκοσωλήνα (mm)	Ροπή στρέψης (N·m) / (kg·cm)
ϕ6,35	14 έως 18 / 140 έως 180
ϕ9,52	35 έως 42 / 350 έως 420
ϕ12,7	50 έως 57,5 / 500 έως 575
ϕ15,88	75 έως 80 / 750 έως 800
ϕ19,05	100 έως 140 / 1000 έως 1400

Τιμές γωνίας σύσφιξης:

Διάκετρος σωλήνα (mm)	Γωνία σύσφιξης (°)
ϕ6,35, ϕ9,52	60 έως 90
ϕ12,7, ϕ15,88	30 έως 60
ϕ19,05	20 έως 35

### [Fig. 8.2.3] (P.3)

#### Σημείωση:

**Εάν δεν διαθέσετε κλειδί στρέψης, μπορείτε να χρησιμοποιήσετε την παρακάτω μέθοδο σαν μέτρο:**  
**Ενώ σφίγγετε το περικόχλιο της εκχείλωσης με κλειδί, σε κάποιο σημείο θα αισθανθείτε μία ξαφνική αύξηση στη δύναμη της στρέψης. Σ' αυτό το σημείο σταματήστε το σφίξιμο και μετά στρίψτε το περικόχλιο στους βαθμούς που δίνονται παρακάτω πίνακα.**

### ⚠ Προσοχή:

- **Αφαιρέτε πάντα το σωλήνα σύνδεσης από τη σφαιρική βαλβίδα και συγκολλήστε το σωλήνα εκτός της μονάδας.**
  - Εάν ο συγκολλούμενος σωλήνας παραμείνει στη βαλβίδα κατά την διάρκεια της συγκόλλησης, θα την υπερθερμάνει με αποτέλεσμα βλάβη ή διαρροή αερίου.
- **Χρησιμοποιήστε λάδι εστέρα, λάδι αιθέρα ή αλκυλιοβενζόλη (μικρή ποσότητα) σαν ψυκτικό λάδι, για την επιστροφή διαπλάτυνσης και τις συνδέσεις φλάντζας. (Για τα μοντέλα R407C)**
  - Το ψυκτικό λάδι αν αναμιχθεί με μεγάλη ποσότητα ορυκτέλαιου, θα αλλοιωθεί.
- **Μην χρησιμοποιείτε προσθετικό για την ανίχνευση διαρροής.**

## 8.3. Δοκιμή Αεροστεγανότητας, Εκκένωσης και Ανανέωσης ψυκτικού

### ① Δοκιμή αεροστεγανότητας

Πραγματοποιήστε την δοκιμή με κλειστή τη σφαιρική βαλβίδα της εσωτερικής μονάδας και εφαρμόστε πίεση στη σύνδεση σωλήνων και στην εσωτερική μονάδα από τη θυρίδα συντήρησης που υπάρχει στη σφαιρική βαλβίδα της εξωτερικής μονάδας. (Εφαρμόζετε πάντα πίεση στις θυρίδες συντήρησης του σωλήνα υψηλής πίεσης και του σωλήνα χαμηλής πίεσης συγχρόνως.)

### [Fig. 8.3.1] (P.3)

- |                             |                              |
|-----------------------------|------------------------------|
| Ⓐ Αέριο αζώτου              | Ⓛ Στη εσωτερική μονάδα       |
| Ⓑ Αναλυτής συστήματος       | Ⓜ Ροδέλα χαμηλής πίεσης (Lo) |
| Ⓒ Ροδέλα υψηλής πίεσης (Hi) | Ⓨ Σφαιρική Βαλβίδα           |
| Ⓓ Σωλήνας χαμηλής πίεσης    | Ⓚ Σωλήνας υψηλής πίεσης      |
| Ⓛ Εξωτερική μονάδα          | Ⓛ Θυρίδα συντήρησης          |

<Για τα μοντέλα R407C>

Η μέθοδος εκτέλεσης της δοκιμής αεροστεγανότητας είναι βασικά η ίδια όπως για τα R22 μοντέλα. Εν τούτοις, τηρείτε πάντα τους περιορισμούς αφού επηρεάζουν σε μεγάλο βαθμό την αλλοίωση του ψυκτικού λαδιού. Επίσης, με μη αζεοτροπικό ψυκτικό (R407C κ.ά.), η πιθανή διαρροή αερίου μπορεί να προκαλέσει μεταβολή της σύνθεσης με συνέπεια να επηρεαστεί η απόδοση. Γι' αυτό, εκτελέστε προσεκτικά τη δοκιμή αεροστεγανότητας.



Διαδικασία δοκιμής αεροστεγανότητας	Περιορισμός
<p>1. Αέριο του αζώτου υπό πίεση</p> <p>(1) Αφού διατηρήσετε σταθερή την πίεση σύμφωνα με την σχεδιασμένη πίεση (2,94 MPa) χρησιμοποιώντας αέριο του αζώτου, αφήστε κατά μέρος για μία περίπου μέρα. Εάν η πίεση δεν μειωθεί, η αεροστεγανότητα είναι καλή.</p> <p>Εν τούτοις, αν η πίεση ελαττωθεί, από τη στιγμή που δεν είναι γνωστό το σημείο διαρροής, μπορεί να εφαρμοστεί η ακόλουθη δοκιμή φυσαλλιδών.</p> <p>(2) Μετά την διατήρηση σταθερής πίεσης που περιγράφεται παραπάνω, ψεκάστε τα σημεία σύνδεσης εκχειλωσης, τα συγκολλημένα μέρη, φλάντζες και άλλα σημεία που είναι δυνατόν να παρουσιάσουν διαρροή με ένα προϊόν φυσαλλιδών (Kyuboflex, κλπ.) και ελέγξτε με το μάτι για φυσαλλίδες.</p> <p>(3) Μετά το τέλος της δοκιμής αεροστεγανότητας, σκουπίστε καλά το προϊόν φυσαλλιδών.</p>	<ul style="list-style-type: none"> <li>Εάν ένα εύφλεκτο αέριο ή αέρας (οξυγόνο) χρησιμοποιηθεί σαν αέριο για άσκηση της πίεσης, μπορεί να αρπάξει φωτιά ή να εκραγεί.</li> </ul>
<p>2. Διατήρηση σταθερής πίεσης χρησιμοποιώντας ψυκτικό αέριο και αέριο του αζώτου</p> <p>(1) Αφού διατηρήσετε την πίεση του αερίου στα 0,2 MPa περίπου, ασκήστε πίεση στη σχεδιασμένη τιμή (2,94 MPa) χρησιμοποιώντας αέριο του αζώτου.</p> <p>Εν τούτοις, μην ασκείτε συνεχή πίεση μία φορά συνεχόμενα. Σταματήστε κατά την διάρκεια της άσκησης πίεσης και ελέγξτε αν η πίεση ελαττώνεται.</p> <p>(2) Ελέγξτε για τυχόν διαρροή αερίου, ελέγχοντας τα τμήματα σύνδεσης εκχειλωσης, τα συγκολλημένα μέρη, φλάντζες και άλλα μέρη που τυχόν παρουσιάζουν διαρροή χρησιμοποιώντας έναν συμβατό ανιχνευτή διαρροής R407C.</p> <p>(3) Αυτή η δοκιμή μπορεί να εφαρμοστεί μαζί με την δοκιμή διαρροής αερίου τύπου φυσαλλιδών.</p>	<ul style="list-style-type: none"> <li>Μην χρησιμοποιείτε άλλο ψυκτικό απ' αυτό που υποδεικνύεται στη μονάδα.</li> <li>Σφραγίζοντας με αέριο από έναν κύλινδρο, θα προκληθεί αλλαγή στη σύνθεση του ψυκτικού μίγματος στον κύλινδρο. (Για τα μοντέλα R407C)</li> <li>Χρησιμοποιήστε ένα σιφόνι πίεσης, ένα κουτί πλήρωσης και άλλα μέρη ειδικά για το R407C. (Για τα μοντέλα R407C)</li> <li>Ένας ηλεκτρονικός ανιχνευτής διαρροής για R22 δεν μπορεί να ανιχνεύσει διαρροές του R407C.</li> <li>Μην χρησιμοποιείτε αλοιειδή φακό. (Δεν μπορούν να ανιχνευθούν διαρροές.)</li> </ul>

## ② Εκκένωση

Κάντε την εκκένωση έχοντας κλείσει τη σφαιρική βαλβίδα της εξωτερικής μονάδας και εκκενώστε χρησιμοποιώντας μια αντλία κενού ταυτόχρονα και τις σωληνώσεις σύνδεσης και την εσωτερική μονάδα από τη θυρίδα συντήρησης που υπάρχει στη σφαιρική βαλβίδα της εξωτερικής μονάδας. (Να εκτελείτε πάντα την εκτόνωση από τις θυρίδες συντήρησης του σωλήνα υψηλής πίεσης και του σωλήνα χαμηλής πίεσης συγχρόνως). Εφ' όσον η αεραντλία κενού φτάσει τα 650 Pa [abs], συνεχίστε την εκκένωση για τουλάχιστον μία ώρα ή και περισσότερο.

\* Μην κάνετε ποτέ καθάρισμα του αέρα χρησιμοποιώντας ψυκτικό.

### [Fig. 8.3.2] (P.3)

- |                                      |                              |
|--------------------------------------|------------------------------|
| Ⓐ Αναλυτής συστήματος                | Ⓑ Ροδέλα χαμηλής πίεσης (Lo) |
| Ⓒ Ροδέλα υψηλής πίεσης               | Ⓓ Σφαιρική Βαλβίδα           |
| Ⓔ Σωλήνας χαμηλής πίεσης             | Ⓕ Σωλήνας υψηλής πίεσης      |
| Ⓖ Θυρίδα συντήρησης                  |                              |
| Ⓗ Εξάρτημα ένωσης τριών κατευθύνσεων |                              |
| Ⓛ Βαλβίδα                            | Ⓜ Βαλβίδα                    |
| Ⓚ Κύλινδρος                          | Ⓛ Ζυγός                      |
| Ⓜ Αντλία κενού                       |                              |

## Σημείωση:

- Βεβαιωθείτε πάντα ότι ανανεώνετε την προβλεπόμενη ποσότητα ψυκτικού. Επίσης, σφραγίζετε πάντα το σύστημα με υγρό ψυκτικό. Υπερβολική ποσότητα ή έλλειψη ποσότητας ψυκτικού, θα δημιουργήσει προβλήματα.
- Χρησιμοποιήστε έναν πολλαπλό γνώμονα, έναν σωλήνα φόρτισης και άλλα τμήματα για το ψυκτικό που αναγράφεται στη μονάδα.
- Χρησιμοποιήστε ένα βαρυτόμετρο. (Ένα βαρυτόμετρο μεγάλης ακριβείας, με διαβαθμίσεις έως και 0,1 kg.)
- Χρησιμοποιήστε μία αντλία κενού με βαλβίδα ελέγχου αντίστροφης ροής (Για τα μοντέλα R407C)  
(Μετρητής κενού που συνιστάται: ROBINAIR 14830A Θερμοαντιστατής Μετρητής Κενού)  
Επίσης χρησιμοποιήστε ένα μετρητή κενού που έχει διαβάθμιση έως και 0,5 Torr ή και μεγαλύτερη ακρίβεια μετά από πέντε λεπτά λειτουργίας.

## ③ Ανανέωση Ψυκτικού (Για τα μοντέλα R407C)

Από τη στιγμή που το ψυκτικό που χρησιμοποιείται στη μονάδα είναι μη αζεοτροπικό, πρέπει να αναπληρωθεί σε υγρή μορφή. Επομένως, όταν πληρώνετε ψυκτικό μίγμα στη μονάδα από έναν κύλινδρο, κι εάν ο κύλινδρος δεν έχει σιφόνι, αναπληρώστε το υγρό ψυκτικό στρέφοντας τον κύλινδρο ανάποδα, όπως φαίνεται παρακάτω. Εάν ο κύλινδρος έχει σωλήνας σιφονιού όπως φαίνεται στο σχήμα δεξιά, το υγρό ψυκτικό πρέπει να αναπληρωθεί ενώ ο κύλινδρος παραμένει όρθιος. Γι' αυτόν το λόγο, δώστε ιδιαίτερη προσοχή στις προδιαγραφές του κυλίνδρου. Εάν η μονάδα πρέπει να αναπληρωθεί με ψυκτικό αέριο, αντικαταστήστε όλο το ψυκτικό, με νέο ψυκτικό. Μην χρησιμοποιήσετε το ψυκτικό που έχει απομείνει στον κύλινδρο.

### [Fig. 8.3.3] (P.3)

## 8.4. Θερμική μόνωση ψυκτικών σωλήνων

Βεβαιωθείτε ότι κάνετε μόνωση στη σωλήνωση ψυκτικού, καλύπτοντας χωριστά το σωλήνα υγρού και το σωλήνα αερίου, με αρκετά παχύ θερμομονωτικό υλικό πολυαιθυλένιο, έτσι ώστε να μην υπάρχει διάκενο ενδιάμεσα στην ένωση μεταξύ της εσωτερικής μονάδας και του μονωτικού υλικού. Όταν η μόνωση δεν είναι επαρκής, υπάρχει πιθανότητα να στάζει η υγροποιημένη συμπύκνωση υδρατμών, κλπ. Δώστε ιδιαίτερη προσοχή στη μόνωση του συστήματος κλιματισμού ανάρτησης στο ταβάνι.

### [Fig. 8.4.1] (P.4)

- |  |                       |
|--|-----------------------|
| Ⓐ Ατσάλινο σύρμα                       | Ⓑ Σωλήνας             |
| Ⓒ Ασφαλτικός λιπαρός στόκος ή ασφαλτος |                       |
| Ⓓ Μονωτικό υλικό Α                     | Ⓔ Εξωτερικό κάλυμμα Β |

Θερμομονωτικό υλικό Α	Υαλοβάμβακας + Ατσάλινο σύρμα	
	Αυτοκόλλητο + Θερμομονωτικός αφρός πολυαιθυλενίου + Αυτοκόλλητη ταινία	
Εξωτερικό κάλυμμα Β	Εσωτερική μονάδα	Ταινία βινυλίου
	Εκτεθειμένο στο πάτωμα	Αδιάβροχο πανί καναβάτσου + ασφαλτος ορειχάλκου
	Εξωτερική μονάδα	Αδιάβροχο πανί καναβάτσου + Ελάσματα κασίτερου + Λαδομπογιά

## Σημείωση:

- Όταν χρησιμοποιείτε κάλυμμα πολυαιθυλενίου σαν υλικό επικάλυψης, δεν είναι απαραίτητο να ασφαλτωθεί η οροφή.
- Δεν χρειάζεται να γίνει θερμομόνωση στα ηλεκτρικά καλώδια.

### [Fig. 8.4.2] (P.4)

- |                               |                          |
|-------------------------------|--------------------------|
| Ⓐ Σωλήνας υψηλής πίεσης       | Ⓑ Σωλήνας χαμηλής πίεσης |
| Ⓒ Ηλεκτρικό καλώδιο           |                          |
| Ⓓ Κολητική ταινία τελειώματος | Ⓔ Μονωτικό υλικό         |

### [Fig. 8.4.3] (P.4)

## Διεισδύσεις

### [Fig. 8.4.4] (P.4)

- <A> Εσωτερικός τοίχος (καλυμμένος) <B> Εξωτερικό τοίχος  
<C> Εξωτερικός τοίχος (εκτεθειμένος) <D> Πάτωμα (μη εύφλεκτο υλικό)  
<E> Πέρασμα σωλήνων οροφής  
<F> Τμήμα διεισδύσης για προστασία από πυρκαγιά και συνοριακό τοίχο
- |   |                       |                    |
|---|-----------------------|--------------------|
| Ⓐ Περιβλήμα                                 | Ⓑ Θερμομονωτικό υλικό | Ⓒ Επένδυση         |
| Ⓓ Πακτωμένο υλικό                           | Ⓔ Δέση                | Ⓕ Αδιάβροχη στρώση |
| Ⓖ Περιβλήμα με άκρη                         | Ⓖ Επενδυτικό υλικό    |                    |
| Ⓛ Πάκτωση με μη εύφλεκτο υλικό όπως κονίαμα |                       |                    |
| Ⓜ Άφλεκτο θερμομονωτικό υλικό               |                       |                    |

Όταν γεμίζετε ένα διάκενο με κονίαμα, καλύπτετε το μέρος εισχώρησης με ατσάλινο έλασμα, ώστε το μονωτικό υλικό να μην επικαθεται. Γι' αυτό το μέρος χρησιμοποιείτε μη εύφλεκτα υλικά, τόσο σε μονωτικό υλικό όσο και σαν υλικό επικάλυψης. (Επικάλυψη από βινύλιο δεν πρέπει να χρησιμοποιείται.)

## 9. Καλωδίωση

### 9.1. Προσοχή

- 1 Για τα τεχνικά πρότυπα που ισχύουν όσον αφορά ηλεκτρικό εξοπλισμό, διατάξεις καλωδίωσης και για οδηγίες προς τις επιχειρήσεις παροχής ηλεκτρισμού, ακολουθείτε τις σχετικές διατάξεις που έχουν εκδοθεί από τις αντίστοιχες κρατικές υπηρεσίες.
- 2 Η καλωδίωση που γίνεται για τη σύνδεση των οργάνων ελέγχου (εφεξής θα αναφέρεται ως καλωδίωση μετάδοσης) πρέπει να απέχει 5 cm ή περισσότερο από την καλωδίωση της ηλεκτρικής πηγής ώστε να μην επηρεάζεται από τον ηλεκτρικό θόρυβο που παράγεται από τα σύρματα της ηλεκτρικής πηγής (Δεν πρέπει να περνάτε τα καλώδια μετάδοσης μέσα στον ίδιο αγωγό από τον οποίο περνάτε τα ηλεκτρικά καλώδια).
- 3 Βεβαιωθείτε ότι για την εξωτερική μονάδα έχετε κάνει τις απαραίτητες εργασίες γείωσης.
- 4 Τα καλώδια που συνδέονται με τα κουτιά των ηλεκτρικών μερών της εσωτερικής και εξωτερικής μονάδας πρέπει να είναι χαλαρά και με πρόσθετο μήκος. Καμιά φορά τα κουτιά βγαίνουν για να διευκολύνονται οι εργασίες συντήρησης.
- 5 Τα ηλεκτρικά καλώδια δεν πρέπει ποτέ να συνδέονται στον πίνακα με τους ακροδέκτες που προορίζονται για τη σύνδεση των καλωδίων μετάδοσης, τα ηλεκτρικά μέρη θα καούν.
- 6 Για την καλωδίωση μετάδοσης χρησιμοποιείτε 2-κλώνα μονωμένα καλώδια. Εάν τα καλώδια μετάδοσης διαφορετικών συστημάτων συνδεθούν στο ίδιο πολυκλώνο καλώδιο, θα υπάρχει ανεπαρκής μετάδοση και λήψη στοιχείων με αποτέλεσμα την ύπαρξη λανθασμένες λειτουργίες.
- 7 Μόνο η καθορισμένη καλωδίωση μετάδοσης πρέπει να συνδέεται στον πίνακα ακροδεκτών για τη μετάδοση προς και από την εξωτερική μονάδα. (Καλωδίωση μετάδοσης για τη σύνδεση με την εσωτερική μονάδα: Πίνακας τερματικών TB3 για τις συνδέσεις των καλωδίων μετάδοσης. Άλλες: Πίνακας τερματικών TB7 για κεντρικό έλεγχο). Λανθασμένες συνδέσεις έχουν σαν αποτέλεσμα τη μη λειτουργία του συστήματος.
- 8 Σε περίπτωση σύνδεσης με μηχανισμό ελέγχου πρώτης κατηγορίας ή όταν υπάρχει ομαδική λειτουργία συστημάτων με διαφορετικό ψυκτικό, απαιτείται καλωδίωση ελέγχου μετάδοσης μεταξύ κάθε μίας εξωτερικής μονάδας. Συνδέστε αυτή την καλωδίωση ελέγχου μεταξύ των πινάκων τερματικών για κεντρικό έλεγχο (2-κλώνα καλώδια χωρίς πολικότητα). Όταν έχετε συλλογική λειτουργία συστημάτων με διαφορετικό ψυκτικό χωρίς σύνδεση σε μηχανισμό ελέγχου πρώτης κατηγορίας, αντικαταστήστε το συνδετικό εισαγωγής βραχυκυκλώματος από το CN41 μίας εξωτερικής μονάδας στο CN40.
- 9 Η ομαδοποίηση ρυθμίζεται με λειτουργία του τηλεχειριστήριου.
- 10 Οι εκ των προτέρων ανοιγμένες τρύπες που δεν χρησιμοποιήθηκαν πρέπει να κλείσουν και τα ανοίγματα των σωλήνων ψυκτικού και νερού, των καλωδίων τροφοδοσίας και μετάδοσης πρέπει να σφραγιστούν με στόκο για προστασία από τη βροχή. (εργασία επιτόπου)

### 9.2. Κουτί ελέγχου και θέσεις συνδέσεων καλωδίων

1. Συνδέστε το καλώδιο μετάδοσης της εσωτερικής μονάδας στον πίνακα τερματικών μετάδοσης (TB3) ή συνδέστε τα καλώδια μεταξύ των εξωτερικών μονάδων ή τα καλώδια με το κεντρικό σύστημα ελέγχου στον πίνακα τερματικών κεντρικού ελέγχου (TB7). Όταν χρησιμοποιείτε θωρακισμένα καλώδια, συνδέστε τη γείωση του καλωδίου μετάδοσης της εσωτερικής μονάδας στη βίδα γείωσης (⊕) και τη γείωση του καλωδίου μεταξύ των εξωτερικών μονάδων και της καλωδίωσης μετάδοσης του συστήματος κεντρικού ελέγχου στο τερματικό θωράκισης (S) του πίνακα τερματικών κεντρικού ελέγχου (TB7). Επίσης, στην περίπτωση που στις εξωτερικές μονάδες ο συνδετήρας τροφοδοσίας CN41 έχει αντικατασταθεί από τον CN40, το τερματικό θωράκισης (S) του πίνακα τερματικών (TB7) του συστήματος κεντρικού ελέγχου πρέπει επίσης να είναι συνδεδεμένο στη γείωση (⊕).

#### [Fig. 9.2.1] (P.4)

- Ⓐ Ηλεκτρική πηγή      Ⓞ Καλωδίωση μετάδοσης
2. Τα ελάσματα στήριξης προστατευτικών σωλήνων (διαμέτρου  $\varnothing 27$ ) προμηθεύονται. Περάστε το καλώδιο παροχής ηλεκτρισμού και τα καλώδια μετάδοσης μέσα από τα προκατασκευασμένα ανοίγματα και ύστερα βγάλτε το περασμένο κομμάτι από το κάτω μέρος του κουτιού ελέγχου και συνδέστε τα καλώδια.
  3. Συνδέστε το καλώδιο της ηλεκτρικής πηγής στο κουτί ελέγχου χρησιμοποιώντας παρέμβαση απόσβεσης εφελκισμού (σύνδεση PG ή κάτι παρόμοιο).

### 9.3. Καλώδια για καλωδιώσεις μετάδοσης

#### ① Τύποι καλωδίων ελέγχου

1. Καλώδια για καλωδιώσεις μετάδοσης
  - Τύποι καλωδίων μετάδοσης: Σύρματα με περίβλημα CVVS ή CPEVS
  - Διάμετρος καλωδίων: Μεγαλύτερη από 1,25 mm<sup>2</sup>
  - Μέγιστο μήκος καλωδίου: Έως 200 m
2. Καλώδια τηλεχειριστήριου

Τύποι καλωδίου τηλεχειριστήριου	2-κλώνα καλώδια (χωρίς περίβλημα)
Διάμετρος καλωδίου	0,3 έως 1,25 mm <sup>2</sup>
Παρατηρήσεις	Όταν είναι μακρύτερο των 10 m, χρησιμοποιήστε καλώδιο με τις ίδιες προδιαγραφές (1) σαν αυτές της καλωδίωσης μετάδοσης.

#### ② Παραδείγματα καλωδίωσης

- Ονομασίες, κωδικοί και αριθμός των συνδεδεμένων μονάδων

Ονομασία	Σύμβολο	Επιτρεπόμενος αριθμός μηχανισμών ελέγχου
μηχανισμός ελέγχου εξωτερικής μονάδας	OC	
Μηχανισμός BC	BC	Ένας μηχανισμός ελέγχου για μία OC
Μηχανισμός Ελέγχου	IC	Δύο έως δέκα μηχανισμοί ελέγχου για μία OC
Τηλεχειριστήριο	RC	Μέχρι δύο σε κάθε ομάδα

### Παράδειγμα Λειτουργίας Ομαδικού Συστήματος με Πολλές Εξωτερικές Μονάδες (Απαιτούνται Καλώδια με Προστατευτικό Περίβλημα και Ρύθμιση Διευθύνσεων)

<Παραδείγματα Σύνδεσης Καλωδίων Μετάδοσης>

#### [Fig. 9.3.1] Τηλεχειριστήριο M-NET (P.4)

#### [Fig. 9.3.2] Τηλεχειριστήριο MA (P.4)

- Ⓐ Ομάδα 1      Ⓑ Ομάδα 3      Ⓒ Ομάδα 5      Ⓞ Καλώδιο με προστατευτικό περίβλημα      Ⓞ Δευτερεύουσα Μονάδα Τηλεχειριστήριου  
( ) Διεύθυνση

<Μέθοδος Καλωδίωσης και Ρύθμιση Διευθύνσεων>

- a. Πάντα να χρησιμοποιείτε θωρακισμένο καλώδιο όταν κάνετε συνδέσεις μεταξύ εξωτερικής (OC) και εσωτερικής (IC) μονάδας, μεταξύ OC και OC, καθώς και μεταξύ IC και IC.
- b. Χρησιμοποιείτε καλώδιο τροφοδοσίας για τη σύνδεση των τερματικών M1 και M2 και του τερματικού γείωσης του πίνακα ακροδεκτών μετάδοσης (TB3) κάθε εξωτερικής μονάδας (OC) στα τερματικά M1, M2 και S του πίνακα τερματικών μετάδοσης της εσωτερικής μονάδας (IC).
- c. Συνδέστε τα τερματικά 1 (M1) και 2 (M2) των καλωδίων μετάδοσης της εσωτερικής μονάδας (IC) που έχει την πιο πρόσφατη διεύθυνση μέσα στην ίδια ομάδα ή σύνολο στα τερματικά της μονάδας τηλεχειριστήριου δικτύου (RC).
- d. Συνδέστε μαζί τα τερματικά M1, M2 και S στον πίνακα τερματικών κεντρικού ελέγχου (TB7) για την εξωτερική μονάδα (OC).
- e. Σε μία μόνο εξωτερική μονάδα, αλλάξτε το συνδετήρα του διακλαδωτήρα στον πίνακα ελέγχου από CN41 σε CN40.
- f. Συνδέστε το τερματικό S του πίνακα τερματικών κεντρικού ελέγχου (TB7) εξωτερικής μονάδας (OC), το οποίο αντιστοιχεί στη μονάδα στην οποία αλλάξατε το συνδετήρα του διακλαδωτήρα σε CN40 στο παραπάνω βήμα, στο τερματικό γείωσης (⊕) του κουτιού ηλεκτρικών μερών.
- g. Ρυθμίστε τους διακόπτες διευθύνσεων όπως παρακάτω.

\* Για να ρυθμίσετε τη διεύθυνση της εξωτερικής μονάδας στο 100, ο διακόπτης διεύθυνσης της εξωτερικής μονάδας πρέπει να είναι ρυθμισμένος στο 50.

Μονάδα	Κλίμακα	Μέθοδος Ρύθμισης
IC (Κύρια)	01 έως 50	Χρησιμοποιήστε την πιο πρόσφατη διεύθυνση μέσα στην ίδια ομάδα ή σύνολο εσωτερικών μονάδων
IC (Δευτερεύουσα)	01 έως 50	Χρησιμοποιήστε μία διεύθυνση, διαφορετική αυτής της IC (Κύρια) μεταξύ των μονάδων μέσα στην ίδια ομάδα ή σύνολο εσωτερικών μονάδων. Η διεύθυνση αυτή πρέπει να είναι συνέχεια της διεύθυνσης της IC (Κύρια)
Εξωτερική μονάδα	51 έως 100	Χρησιμοποιήστε την πιο πρόσφατη διεύθυνση μεταξύ των εσωτερικών μονάδων του ίδιου συστήματος ψυκτικού + 50
Μηχανισμός ελέγχου BC	51 έως 100	Διεύθυνση εξωτερικής μονάδας συν 1
M-NET R/C (Κύρια)	101 έως 150	Ρυθμίστε την σε διεύθυνση IC (Κύρια) + 100
M-NET R/C (Δευτερεύουσα)	151 έως 200	Ρυθμίστε την σε διεύθυνση IC (Κύρια) + 150
MA R/C	–	Μη απαραίτητη ρύθμιση διεύθυνσης (Απαραίτητη ρύθμιση κύριας/δευτερεύουσας)

h. Οι λειτουργίες ομαδικής ρύθμισης μεταξύ πολλών εσωτερικών μονάδων ρυθμίζονται με τη μονάδα τηλεχειριστήριου (RC) αφού ανοίξει η ηλεκτρική παροχή.

<Επιτρεπόμενο Μάρκος>

#### ① Τηλεχειριστήριο M-NET

- Μακρύτερο καλώδιο μέσω εξωτερικών μονάδων:  $L_1+L_2+L_3+L_4$  και  $L_1+L_2+L_3+L_5$  και  $L_1+L_2+L_6+L_7 \leq 500$  m (1,25 mm<sup>2</sup> ή μεγαλύτερο)
- Μακρύτερο καλώδιο μετάδοσης:  $L_1$  και  $L_3+L_4$  και  $L_3+L_5$  και  $L_6$  και  $L_2+L_6$  και  $L_7 \leq 200$  m (1,25 mm<sup>2</sup> ή μεγαλύτερο)
- Μάρκος Καλωδίου Τηλεχειριστήριου:  $l_1, l_2, l_3, l_4 \leq 10$  m (0,3 έως 1,25 mm<sup>2</sup>)  
Εάν το μάρκος υπερβαίνει τα 10 m, χρησιμοποιήστε καλώδιο με προστατευτικό περίβλημα 1,25 mm<sup>2</sup>. Το μάρκος αυτού του τμήματος (L<sub>8</sub>) πρέπει να συμπεριληφθεί στον υπολογισμό του μέγιστου μάρκους και του συνολικού μάρκους.

#### ② Τηλεχειριστήριο MA

- Μακρύτερο καλώδιο μέσω εξωτερικών μονάδων (Καλώδιο M-NET):  $L_1+L_2+L_3+L_4$  και  $L_1+L_2+L_6+L_7 \leq 500$  m (1,25 mm<sup>2</sup> ή μεγαλύτερο)
- Μακρύτερο καλώδιο μετάδοσης (Καλώδιο M-NET):  $L_1$  και  $L_3+L_4$  και  $L_6$  και  $L_2+L_6$  και  $L_7 \leq 200$  m (1,25 mm<sup>2</sup> ή μεγαλύτερο)
- Μάρκος Καλωδίου Τηλεχειριστήριου:  $m_1$  και  $m_1+m_2+m_3$  και  $m_1+m_2+m_3+m_4 \leq 200$  m (0,3 έως 1,25 mm<sup>2</sup>)

## 9.4. Σύνδεση ηλεκτρικής παροχής και ικανότητα συσκευών

### Σχηματική Παράσταση Καλωδίωσης (Παράδειγμα)

[Fig. 9.4.1] (P.4)

- Ⓐ Διακόπτης (ασφάλεια) Καλωδίου (Διακόπτης γείωσης για διαρροή)      Ⓑ Εξωτερική μονάδα      Ⓒ Μηχανισμός Ελέγχου BC  
Ⓓ Κουτί που τραβιέται      Ⓔ Εσωτερική Μονάδα      Ⓕ Διακόπτες για διαρροή ρεύματος

### Πάχος Καλωδίων Ηλεκτρικής Παροχής και Ικανότητα Διακοπής/ Επανασύνδεσης Ρεύματος

Μοντέλο	Ελάχιστο Πάχος Καλωδίου (mm <sup>2</sup> )	Ελάχιστο Πάχος Καλωδίου (mm <sup>2</sup> )		Διακόπτης (A)		Διακόπτης (ασφάλεια) για Καλώδια (NFB)	Διακόπτης (ασφάλεια) για Διαρροή Ρεύματος	
		Ηλεκτρ. Καλώδιο	Διακλάδωση	Γείωση	Ικανότητα			Ασφάλεια
Εξωτερική μονάδα	P200	4,0	–	4,0	32	32	40 A	30 A 100 mA 0,1 δευτ. ή λιγότερο
	P250	6,0	–	6,0	40	40	40 A	40 A 100 mA 0,1 δευτ. ή λιγότερο
Μηχανισμός BC								
Εσωτερική Μονάδα		1,5	1,5	1,5	16	16	20 A	20 A 30 mA 0,1 δευτ. ή λιγότερο

- Χρησιμοποιήστε ξεχωριστές πρίζες παροχής ρεύματος για την εξωτερική και την εσωτερική μονάδα.
- Λάβετε υπ' όψιν σας τις περιβαλλοντολογικές συνθήκες (θερμοκρασία περιβάλλοντος, άμεση ηλιακή ακτινοβολία, θρόχινα νερά, κλπ.), όταν προχωρείτε στις καλωδιακές εργασίες και τις συνδέσεις τους.
- Το μέγεθος του καλωδίου είναι η ελάχιστη τιμή για τους μεταλλικούς αγωγούς της καλωδίωσης. Το μέγεθος του καλωδίου παροχής ισχύος πρέπει να είναι ένα βαθμό παχύτερο ανάλογα με την πτώση της τάσης.  
Βεβαιωθείτε ότι η τάση της παροχής του ρεύματος δεν πέφτει περισσότερο από 10 %.
- Εξειδικευμένες απαιτήσεις καλωδίωσης πρέπει να τηρούνται ανάλογα με τους κανονισμούς καλωδίωσης της περιοχής.
- Σε σημεία εφαρμογών για εξωτερική χρήση, τα καλώδια παροχής ισχύος δεν πρέπει να είναι πιο φωτεινά από τα πολύκλινα ευλύγιστα καλώδια με επένδυση (σχέδιο 245 IEC57).
- Κατά την εγκατάσταση του κλιματιστικού πρέπει να χρησιμοποιηθεί διακόπτης με διάκενο τουλάχιστον 3 χλστ. σε κάθε πόλο.

#### ⚠ Προειδοποίηση:

- Βεβαιωθείτε ότι χρησιμοποιούνται για τις συνδέσεις τα καλώδια που καθορίζονται ώστε να μην ασκούνται εξωτερικές δυνάμεις στις συνδέσεις τερματικών. Εάν οι συνδέσεις δεν είναι καλά προσαρμοσμένες, ενδέχεται να προκαλέσουν υπερθέρμανση ή πυρκαγιά.
- Βεβαιωθείτε ότι χρησιμοποιείτε τον κατάλληλο τύπο διακόπτη προστασίας από υπερβολική ένταση ρεύματος. Σημειώστε ότι η υπερβολική ένταση ρεύματος που τυχόν να παράγεται ενδέχεται να συμπεριλαμβάνει συνεχές ρεύμα σε κάποια ποσότητα.

#### ⚠ Προσοχή:

- Μερικές τοποθεσίες εγκατάστασης ενδέχεται να χρειάζονται την ύπαρξη διακόπτη (ασφάλεια) γείωσης για περιπτώσεις διαρροής. Εάν δεν εγκατασταθεί διακόπτης (ασφάλεια) γείωσης ενδέχεται να προκληθεί ηλεκτροπληξία.
- Μη χρησιμοποιείτε διακόπτες και ασφάλειες που δεν έχουν την προβλεπόμενη ικανότητα. Χρήση ασφαλειών και καλωδίων ή καλωδίων χαλκού πολύ μεγάλης ικανότητας ενδέχεται να προκαλέσουν βλάβη στη λειτουργία της μονάδας ή πυρκαγιά.

## 10. Δοκιμαστική λειτουργία

### 10.1. Τα παρακάτω φαινόμενα δεν θεωρούνται σαν πρόβλημα (έκτακτα)

Φαινόμενο	Ένδειξη στο τηλεχειριστήριο	Αιτία
Καμιά φορά όταν αλλάζει ο κλιματισμός από κρύο/θερμό αέρα η εσωτερική μονάδα και ο μηχανισμός ελέγχου BC κάνουν θόρυβο.	<b>Κανονική ένδειξη</b>	Αυτό δεν αποτελεί πρόβλημα, είναι απλώς θόρυβος που προκαλείται εξαιτίας της αλλαγής.
Δεν λειτουργεί η ψύξη (θέρμανση) της εσωτερικής μονάδας.	<b>Η ένδειξη “Ψύξη (θέρμανση)/Cooling (heating)” αναβοσβήνει</b>	Όταν πολλαπλές εσωτερικές μονάδες (το περισσότερο 3) συνδέονται στον ίδιο κλάδο του πίνακα ελέγχου BC, η λειτουργία της θέρμανσης (ψύξης) δεν μπορεί να πραγματοποιηθεί κατά την διάρκεια που η άλλη μονάδα λειτουργεί στην λειτουργία της ψύξης (θέρμανσης).
Τα αυτόματα πτερύγια λειτουργούν ελεύθερα.	<b>Κανονική ένδειξη</b>	Εξαιτίας της ελεγχόμενης λειτουργίας των αυτόματων πτερυγίων, μπορούν να αλλάζουν αυτόματα από την προς τα κάτω ροή του κρύου αέρα στην οριζόντια, σε περίπτωση που η κατεύθυνση ροής προς τα κάτω συνεχίζει για 1 ώρα. Σε κλιματισμό με θερμό αέρα (απόψυξη), όταν προσαρμόζεται η θερμοκρασία και όταν ο θερμοστάτης είναι κλειστός, τα πτερύγια αλλάζουν αυτόματα σε οριζόντια κατεύθυνση ροής του αέρα.
Η ρύθμιση του ανεμιστήρα αλλάζει κατά την διάρκεια της θέρμανσης.	<b>Κανονική ένδειξη</b>	Πάρα πολύ χαμηλή ταχύτητα λειτουργίας συνιστάται όταν ο θερμοστάτης είναι κλειστός OFF. Όταν ο θερμοστάτης είναι ανοιχτός ON, ο ελαφρός αέρας αλλάζει αυτόματα στην καθορισμένη τιμή.
Ο ανεμιστήρας σταματά κατά την διάρκεια της θέρμανσης.	<b>Ένδειξη απόψυξης</b>	Ο ανεμιστήρας πρόκειται να σταματήσει στην διάρκεια κλιματισμού με θερμό αέρα (απόψυξη).
Ο ανεμιστήρας δε σταματά, ενώ η λειτουργία της μονάδας έχει σταματήσει.	<b>Δεν ανάδει</b>	Ο ανεμιστήρας πρόκειται να σταματήσει 1 λεπτό μετά την παύση λειτουργίας ώστε να εξασθενήσουν τα υπολείμματα θέρμανσης (μόνο στη θέρμανση).
Δεν γίνεται ρύθμιση του ανεμιστήρα, ενώ ο διακόπτης SW έχει ανοίξει.	<b>Θέρμανση έτοιμη</b>	Συνιστάται η λειτουργία σε πολύ χαμηλή ταχύτητα για 5 λεπτά μετά το άνοιγμα του διακόπτη SW ή έως ότου η θερμοκρασία των σωλήνων φτάσει τους 35° Κελσίου, εν συνεχεία λειτουργία σε χαμηλή ταχύτητα για 2 λεπτά και μετά τοποθέτηση στην εγκοπή (Όργανο ελέγχου θερμοκρασίας).
Η εξωτερική μονάδα δεν λειτουργεί όταν γυρίζετε τον διακόπτη στη θέση λειτουργίας.	<b>Κανονική ένδειξη</b>	Όταν η εξωτερική μονάδα έχει κρυώσει και το ψυκτικό υγρό ανακατεύεται μέσα σε νερό, αρχίζει η λειτουργία προθέρμανσης του συμπιεστή η οποία διαρκεί τουλάχιστον 35 λεπτά (Αναγκαστικός έλεγχος ισχύος). Στην διάρκεια αυτής της περιόδου λειτουργεί μόνον ο ανεμιστήρας.
Στην οθόνη του τηλεχειριστηρίου της εσωτερικής μονάδας εμφανίζεται η ένδειξη “HO” για δύο περίπου λεπτά, όταν ανοίγει ο κεντρικός ηλεκτρικός διακόπτης τροφοδοσίας.	<b>Ένδειξη “HO” αναβοσβήνει</b>	Ενεργοποίηση του συστήματος. Θέστε πάλι σε λειτουργία το τηλεχειριστήριο, όταν η ένδειξη “HO” εξαφανιστεί.
Η αντλία αποστράγγισης δεν σταματά τη λειτουργία, ενώ η λειτουργία της μονάδας έχει σταματήσει.	<b>Σβήνει</b>	Μετά την διακοπή λειτουργίας της ψύξης, η μονάδα συνεχίζει να λειτουργεί την αντλία αποστράγγισης για τρία λεπτά, μετά την παρέλευση των οποίων σταματά.
Η αντλία αποστράγγισης εξακολουθεί να λειτουργεί, ενώ η λειτουργία της μονάδας έχει σταματήσει.		Η μονάδα συνεχίζει να λειτουργεί την αντλία αποστράγγισης, εάν συνεχίζει να υπάρχει ανάγκη για αποστράγγιση ακόμη κι όταν έχει σταματήσει η λειτουργία της μονάδας.

# СОДЕРЖАНИЕ

1. Меры предосторожности .....	77	6.4. Электроблокировка насоса .....	80
1.1. Перед установкой прибора и выполнением электроработ .....	77	7. Установка труб хладагента .....	81
1.2. Меры предосторожности для приборов, в которых используется хладагент R407C .....	78	7.1. Осторожно .....	81
1.3. Перед выполнением установки .....	78	7.2. Система труб хладагента .....	81
1.4. Выполнение электроработ до установки (перемещения) .....	78	8. Дополнительный заряд хладагента .....	81
1.5. Перед началом пробной эксплуатации .....	78	8.1. Расчет дополнительного заряда хладагента .....	81
2. Использование в сочетании с внутренними приборами .....	79	8.2. Меры предосторожности при подсоединении труб/управлении клапанами .....	82
3. Поставляемые приспособления .....	79	8.3. Тест на герметичность, продувка и зарядка хладагента ...	82
4. Перемещение прибора .....	79	8.4. Термоизоляция труб хладагента .....	83
5. Установка прибора и пространство для обслуживания прибора .....	79	9. Электропроводка .....	84
5.1. Установка .....	79	9.1. Осторожно .....	84
5.2. Пространство для обслуживания прибора .....	79	9.2. Блок управления и положение проводки .....	84
6. Установка труб жидкости .....	80	9.3. Прокладка кабелей передачи .....	84
6.1. Меры предосторожности во время установки .....	80	9.4. Электропроводка для сетевого питания и характеристики оборудования .....	85
6.2. Установка изоляции .....	80	10. Контрольный запуск .....	86
6.3. Обработка воды и контроль за качеством воды .....	80	10.1. Указанные ниже явления не являются неисправностями .....	86

## 1. Меры предосторожности

### 1.1. Перед установкой прибора и выполнением электроработ

- ▶ До установки прибора убедитесь, что Вы прочли все “Меры предосторожности”.
- ▶ “Меры предосторожности” содержат важные указания по технике безопасности. Убедитесь, что Вы им следуете.

#### Символика, используемая в тексте

##### Предупреждение:

Описывает меры предосторожности, необходимые для предотвращения получения травмы или гибели пользователя.

##### Внимание:

Описывает меры предосторожности, необходимые для предотвращения повреждения прибора.

#### Символика, используемая в иллюстрациях

- ⊘ : Указывает действие, которое следует избегать.
- ⚠ : Указывает на важную инструкцию.
- ⚡ : Указывает, что данная часть должна быть заземлена.
- ⚠ : Опасайтесь электрошока. (Этот символ указан на этикетке основного прибора.) <Цвет: желтый>

##### Предупреждение:

Внимательно прочтите текст на этикетках главного прибора.

##### Предупреждение:

- Обратитесь к дилеру или квалифицированному технику для выполнения установки кондиционера воздуха.
  - Неправильная установка, выполненная пользователем, может вызвать утечку воды, электрошок или пожар.
- Устанавливайте прибор в месте, способном выдержать его вес.
  - Недостаточно прочное основание может вызвать падение прибора и привести к травме.
- Используйте указанные кабели для электропроводки. Выполняйте соединения с соблюдением требований безопасности, чтобы кабели не приводили к повреждению клемм.
  - Недостаточно надежные соединения могут вызвать перегрев и стать причиной пожара.
- Подготовьтесь к дождям, атмосферным осадкам и землетрясениям и установите прибор в соответствующем месте.
  - Неправильная установка может вызвать падение прибора и причинить травму.
- Используйте фильтры и другие дополнительные принадлежности только производства компании Mitsubishi Electric.
  - Обратитесь к услугам квалифицированного техника для установки дополнительных приспособлений. Неправильная установка, выполненная пользователем, может вызвать утечку воды, электрошок или пожар.

- Никогда не ремонтируйте прибор самостоятельно. Если требуется ремонт кондиционера воздуха, обратитесь к дилеру.
  - Если прибор неправильно отремонтирован, это может вызвать утечку воды, электрошок или пожар.
- При утечке газа охлаждения во время установки проветрите помещение.
  - При контакте газа охлаждения с огнем будут выделяться ядовитые газы.
- Устанавливайте кондиционер согласно инструкциям, приведенным в данном Руководстве по установке.
  - Неправильная установка может вызвать утечку воды, электрошок или пожар.
- Все электроработы должны выполняться квалифицированным лицензированным электриком согласно Электротехническим Стандартам и Нормам проведения внутренней проводки и инструкциям, приведенным в данном руководстве; всегда используйте отдельную схему.
  - При недостаточной мощности источника питания или неправильном выполнении электроработ может возникнуть электрошок или пожар.
- Надежно установите крышку (панель) коробки терминала выводов наружного прибора.
  - Если крышка (панель) коробки терминала выводов не установлена надлежащим образом, то в наружный прибор может попасть пыль или вода, что, в свою очередь, может привести к пожару или электрошоку.
- При установке и перемещении кондиционера на другой объект не заряжайте его другим хладагентом, кроме хладагента R407C, указанного на приборе.
  - При смешении другого хладагента или воздуха с первоначальным хладагентом может произойти сбой цикла охлаждения и прибор может быть поврежден.
- Если кондиционер установлен в небольшом помещении, необходимо принять меры для предотвращения концентрации хладагента свыше безопасных пределов в случае утечки хладагента.
  - Проконсультируйтесь с дилером относительно соответствующих мер по предотвращению превышения допустимой концентрации. В случае утечки хладагента и превышения допустимых лимитов концентрации может возникнуть опасная ситуация в связи с недостатком кислорода в помещении.
- При перемещении и повторной установке кондиционера проконсультируйтесь с дилером или квалифицированным техником.
  - Неправильная установка, выполненная пользователем, может вызвать утечку воды, электрошок или пожар.
- По завершении установки убедитесь в отсутствии утечки газа охлаждения.
  - При утечке газа охлаждения и попадании его под воздействие обогревателя, печи, духовки или другого источника тепла могут образоваться ядовитые газы.
- Не переделывайте и не изменяйте предохранительных установок на защитных устройствах.
  - При коротком замыкании и насильственном включении выключателей давления, термовыключателей или других элементов, кроме тех, которые указаны Митцубиси Электрик, может возникнуть пожар или взрыв.
- Для утилизации данного изделия, пожалуйста, обратитесь к Вашему дилеру.

- Специалист по установке и специалист по системе обеспечат защиту от утечки в соответствии с местными стандартами и нормативами.
  - При отсутствии местных нормативных актов могут применяться следующие стандарты.
- Особое внимание следует уделять таким местам, как подвалам и т. д., где возможно скопление газа хладагента ввиду того, что он тяжелее воздуха.

## 1.2. Меры предосторожности для приборов, в которых используется хладагент R407C

### ⚠ Внимание:

- Не используйте имеющиеся трубы хладагента.
  - Использование старых труб хладагента и старого масла охлаждения, содержащих большие количества хлорина, может привести к порче масла охлаждения нового прибора.
- Для труб хладагента используйте бесшовные трубы из фосфористой восстановленной меди и медных сплавов. Кроме этого убедитесь, что внутренняя и внешняя поверхность труб чистая, без частиц серы, окисей, пыли/грязи, частиц стружки, масел, влаги или других загрязнений.
  - Загрязнение внутренней поверхности труб хладагента может вызвать ухудшение остаточного масла охлаждения.
- Храните предназначенные для установки трубы в помещении, герметически закрытыми с обоих концов до припайки. (Углы и другие соединения храните в пластмассовом пакете.)
  - Попадание в цикл охлаждения пыли, грязи или воды, может ухудшить масло и вызвать проблемы с компрессором.
- Используйте в качестве масла охлаждения масло сложного или простого эфира или алкинбензол (небольшое количество) для покрытия растрескиваний и фланцевых соединений.
  - Масло охлаждения испортится при смешивании с большим количеством минерального масла.
- Используйте для заполнения системы жидкий хладагент.
  - При использовании газового хладагента для герметизации системы, состав хладагента в баллоне изменится, а рабочие показатели прибора могут ухудшиться.
- Не используйте другие хладагенты, кроме хладагента R407C.
  - При использовании другого агента (например, R22), наличие в нем хлорина может вызвать сбой цикла охлаждения и привести к ухудшению масла охлаждения.
- Используйте вакуумный насос с контрольным клапаном обратного хода.
  - Масло вакуумного насоса может проникнуть обратно в цикл охлаждения и привести к ухудшению масла охлаждения.
- Не используйте указанные ниже инструменты с обычным хладагентом. (Манифольд, зарядный шланг, детектор обнаружения утечки газа, контральный клапан, основу заряда хладагентом, оборудование для сбора хладагента.)
  - Смешивание обычного хладагента и масла охлаждения с R407C может вызвать ухудшение масла охлаждения.
  - Смешивание воды с R407C может вызвать ухудшение масла охлаждения.
  - Хладагент R407C не содержит хлорина. Поэтому детекторы утечек газа, предназначенные для обычных хладагентов, не обнаруживают его.
- Не используйте зарядный баллон.
  - Использование зарядного баллона может вызвать ухудшение хладагента.
- Обращайтесь с инструментами особенно внимательно.
  - Попадание в цикл охлаждения пыли, грязи или воды может вызвать ухудшение масла охлаждения.

## 1.3. Перед выполнением установки

### ⚠ Внимание:

- Не устанавливайте прибор там, где возможна утечка горючего газа.
  - При утечке газа и его скоплении около прибора может произойти взрыв.
- Не используйте кондиционер воздуха в местах содержания продуктов, домашних животных, растений, точных приборов или предметов искусства.
  - Качество продуктов и т.д. может ухудшиться.
- Не используйте кондиционер воздуха в особых условиях.
  - Наличие масел, пара, сульфурных испарений и т.д. может вызвать значительное ухудшение рабочих показателей кондиционера или повредить его элементы.
- При установке прибора в больнице, на станции связи или в аналогичном помещении обеспечьте достаточную защиту от шума.
  - Преобразовательное оборудование, частный электрогенератор, высоковольтное медицинское оборудование или оборудование для радиосвязи могут вызвать сбой в работе кондиционера или его отключение. С другой стороны, кондиционер может мешать работе такого оборудования создаваемым шумом, который нарушает ход медицинских процедур или радиовещания.

- Не устанавливайте прибор на конструкции, которая может стать причиной утечки.
  - При влажности в помещении свыше 80 % или при засорении дренажной трубы, с внутреннего прибора может капать конденсирующаяся влага. Выполняйте дренаж одновременно внутреннего прибора и наружного прибора, когда это требуется.

## 1.4. Выполнение электроработ до установки (перемещения)

### ⚠ Внимание:

- Заземлите прибор.
  - Не подсоединяйте провод заземления к газовой трубе, водяной трубе, громоотводу или линии заземления телефонной проводки. При неправильном заземлении может возникнуть электрошок.
- Обратная фаза линий L (L<sub>1</sub>, L<sub>2</sub>, L<sub>3</sub>) может быть обнаружена (Код ошибки 4103), но обратную фазу линий L и линии N обнаружить невозможно.
  - При подаче электропитания в неправильно соединенную сеть возможна поломка некоторых электродеталей.
- Проложите сетевой кабель так, чтобы он не был натянут.
  - Натяжение может привести к разрыву кабеля и стать источником перегрева и пожара.
- Установите прерыватель цепи, если требуется.
  - Если прерыватель цепи не установлен, это может привести к электрошоку.
- Используйте сетевой кабель достаточной мощности напряжения.
  - Кабели слишком малой мощности могут перегреть, вызвать перегрев и пожар.
- Используйте прерыватель цепи и предохранитель указанной мощности.
  - Предохранитель или прерыватель большей мощности или стальной или медный провод могут вызвать поломку прибора или пожар.
- Не мойте детали кондиционера.
  - Мытье деталей кондиционера может вызвать электрошок.
- Проявляйте осторожность, следите, чтобы установочное основание не было повреждено после длительного использования.
  - При неустранении повреждения основания прибор может упасть и причинить травму или повреждение имущества.
- Проложите дренажные трубы в соответствии с инструкциями в данном Руководстве по установке для обеспечения надлежащего дренирования. Оберните трубы термоизоляционным материалом для предотвращения конденсации.
  - Неправильная прокладка дренажных труб может вызвать утечку воды и повредить мебель и другое имущество.
- Будьте очень внимательным при транспортировке прибора.
  - Нельзя, чтобы перемещение прибора выполнял один человек, если вес прибора превышает 20 кг.
  - Для упаковки некоторых изделий используются пластиковые ленты. Не применяйте их для транспортировки, это опасно.
  - При перемещении прибора теплоисточника и т.д. с использованием подвесных болтов поддерживайте его в четырех точках. Если прибор поддерживается в трех или менее точках, он может потерять равновесие при опускании на землю и упасть.
- Утилизируйте упаковочные материалы с соблюдением правил безопасности.
  - Такие упаковочные материалы, как гвозди и другие металлические или деревянные части, могут причинить порез и другую травму.
  - Удалите пластиковый упаковочный пакет и уберите его так, чтобы он был недоступен детям. Дети могут задохнуться и умереть, если будут играть с пластиковым упаковочным пакетом.

## 1.5. Перед началом пробной эксплуатации

### ⚠ Внимание:

- Подключите электропитание прибора не менее чем за 12 часов до начала работы.
  - Запуск прибора сразу после подключения сетевого питания может серьезно повредить внутренние части прибора. Сетевой выключатель должен оставаться во включенном положении в течение всего периода эксплуатации прибора.
- Не прикасайтесь к выключателям мокрыми руками.
  - Прикосновение к выключателю мокрыми руками может вызвать электрошок.
- Не прикасайтесь к трубам хладагента во время работы и сразу после выключения прибора.
  - В течение и сразу после эксплуатации прибора трубы хладагента могут быть горячими или холодными, в зависимости от условий протекающего в трубах, компрессоре и других элементах цикла охлаждения хладагента. Вы можете обжечь или обморозить руки при прикосновении к трубам хладагента.

- **Не используйте кондиционер воздуха, если его панели и крышки сняты.**
  - Вращающиеся, горячие части или части под напряжением могут причинить травму.
- **Не отключайте питание немедленно после выключения прибора.**
  - Всегда подождите не менее пяти минут до отключения питания. Иначе может возникнуть утечка воды и другие проблемы.
- **Не прикасайтесь к поверхности компрессора во время выполнения сервисных работ.**
  - Если прибор подсоединен к сети электропитания, но не работает, обогреватель картера двигателя в компрессоре находится в работе.

## 2. Использование в сочетании с внутренними приборами

Модель	PQRY-P200YEM-A		PQRY-P250YEM-A	
Уровень шума	51 dB <A>		52 dB <A>	
Масса	270 кг		280 кг	
Допустимое давление	HP: 2,94 МПа, LP: 1,6 МПа			
Хладагент	R407C: 7,5 кг		R407C: 8,5 кг	
Внутренние блоки кондиционера	Общая мощность	50 ~ 150 %		
	Модель / Количество	20 ~ 200 / 1 ~ 15		20 ~ 250 / 1 ~ 16
Рабочая температура	Температура воды: 10°C ~ 45°C Примечание.1			

Примечание 1. Когда суммарная мощность внутренних приборов превышает 130% мощности приборов теплоисточника, рабочий интервал температур циркуляционной воды составляет 15°C ~ 45°C.

## 3. Поставляемые приспособления

- ① Подвесные болты M12 × 4
- ② Электромонтажный щит × 1
- ③ Винт M4 × 2
- ④ Соединительная труба × 1 (Соединительная труба подсоединена к прибору.)
- ⑤ Уплотнение (Внутренний ø23, внешний ø35) × 1
- ⑥ Втулка × 2

## 4. Перемещение прибора

[Fig. 4.0.1] (P2)

### ⚠ Внимание:

**Будьте очень внимательны при транспортировке прибора.**

- Нельзя, чтобы перемещение прибора выполнял один человек, если вес прибора превышает 20 кг.
- Для упаковки некоторых изделий используются пластиковые ленты. Не применяйте их для транспортировки, это опасно.
- Разорвите и выбросьте пластиковый упаковочный пакет, чтобы дети не могли играть с ним. В противном случае они могут в нем задохнуться.
- При перемещении прибора теплоисточника и т. д. за болты с проушиной, поддерживайте его в четырех точках. При поддержании в трех точках или менее прибор станет неустойчив при опускании и может упасть.

## 5. Установка прибора и пространство для обслуживания прибора

### 5.1. Установка

- Используя анкерные отверстия, изображенные ниже, плотно привинтите прибор к основанию болтами.

[Fig. 5.1.1] (P2)

- Ⓐ Прибор теплоисточника
- Ⓑ 4-нь14 (Анкерное отверстие)
- Ⓒ (Вид сверху)

#### Основания и виброзащита

- Убедитесь в том, что место установки прибора достаточно прочно, чтобы выдержать его вес. Если фундамент неустойчив, усильте его бетонным основанием.
- Анкеровку прибора необходимо производить на ровной поверхности. После установки проверьте с помощью уровня.
- Под основание прибора необходимо заложить виброзащитные прокладки.
- Если прибор устанавливается в месте, где шум нежелателен, на основание для крепления прибора рекомендуется устанавливать виброзащитный стенд.

[Fig. 5.1.2] (P2)

- Ⓓ Виброзащитная прокладка
- Ⓔ Бетонное основание

### ⚠ Предупреждение:

- **Обязательно устанавливайте прибор на достаточно прочном основании, которое выдержит вес прибора. Недостаточно прочное основание может вызвать падение прибора, что причинит личную травму.**

- Устанавливайте прибор так, чтобы он был защищен от землетрясения. **Любой дефект установки может вызвать падение прибора, что приведет к личной травме.**

### 5.2. Пространство для обслуживания прибора

- При установке пожалуйста обеспечьте следующее пространство для обслуживания. (Все работы по обслуживанию можно проводить с лицевой стороны прибора)

[Fig. 5.2.1] (P2)

- Ⓐ Пространство для прокладки труб (для труб с левой стороны)
- Ⓑ Прибор теплоисточника
- Ⓒ Пространство для обслуживания (лицевая сторона)
- Ⓓ (Вид сверху)

[Fig. 5.2.2] (P2)

- Ⓔ Пространство для прокладки труб (для труб сверху)
- Ⓕ Пространство для прокладки труб (для труб с левой стороны)
- Ⓖ Прибор теплоисточника
- Ⓗ (Вид спереди)

## 6. Установка труб жидкости

- Трубы на приборах серии City Multi WR2 схожи с трубами других кондиционеров воздуха. Тем не менее, при установке пожалуйста соблюдайте следующие меры предосторожности.

### 6.1. Меры предосторожности во время установки

- Для обеспечения надлежащего трубного сопротивления в каждом приборе используйте метод обратного возврата.
- Для облегчения проведения сервисных работ, осмотров и замены прибора используйте надлежащие соединения, клапаны и т.д. на портах водозабора и водовыпуска. В дополнение, обязательно установите стрейнер на трубе водозабора. (Для обслуживания прибора теплоисточника также необходим стрейнер на водозаборе циркулирующей жидкости.)  
\* На диаграмме ниже приводится пример установки прибора теплоисточника.
- Установите соответствующее воздушное вентиляционное отверстие на трубу жидкости. После прогона жидкости по трубе обязательно отведите избыток воздуха.
- Возможна конденсация воды на низкотемпературных отрезках прибора теплоисточника. С помощью дренажной трубы, подсоединенной к дренажному вентилю на основании прибора, слейте воду.
- В центре головки водозабора теплообменника в середине прибора имеется пробка водослива. Используйте ее для техобслуживания и т.д. Кроме того, не допускайте попадания влаги на любые электродетали прибора (такие как соленоид или электропитание компрессора).
- Установите клапан предотвращения обратного потока на насосе и гибкое соединение для предотвращения избыточной вибрации.
- Используйте рукав для защиты труб при проведении их через стену.
- Используйте металлические крепления для закрепления труб и устанавливайте трубы таким образом, чтобы они были максимально защищены от поломок и деформации изгибов.
- Не перепутайте вентили водозабора и водовыпуска.
- Данный прибор не оснащен обогревателем для предотвращения замерзания жидкости внутри труб. При остановке водопотока при низкой температуре окружающего воздуха необходимо слить воду из труб.
- Неиспользованные пробиваемые отверстия следует закрыть, при этом отверстия труб хладагента, водных труб, а также отверстия для проводов питания и проводов передачи следует заблокировать стекльной замазкой или сходным материалом для обеспечения защиты от дождя. (при монтаже в полевых условиях)

#### Пример установки прибора теплоисточника (трубы слева)

[Fig. 6.1.1] (P2)

- |                                |                              |
|--------------------------------|------------------------------|
| Ⓐ Труба циркулирующей жидкости | Ⓔ Закройте кран              |
| Ⓒ Закройте кран                | Ⓖ Водовыпуск                 |
| Ⓔ Трубы хладагента             | Ⓕ Стрейнер развилочного типа |
| Ⓒ Водозабор                    | Ⓗ Дренажная труба            |

### 6.2. Установка изоляции

На трубах приборов серии City Multi WR2, при том условии, что температурный диапазон циркулирующей жидкости удерживается круглогодично на средних температурах (30°C летом, 20°C зимой) нет необходимости в изоляции или иной защите труб, проложенных в помещении, от внешних условий. Изоляцию необходимо использовать в следующих ситуациях:

- Любая проводка труб на улице.
- Проводка труб в помещениях в климатических зонах холодных температур, где существуют проблемы с замерзанием труб.
- Когда холодный воздух с улицы приводит к образованию конденсации на трубах.
- При прокладке любых дренажных труб.

### 6.3. Обработка воды и контроль за качеством воды

Для защиты качества воды в приборах WR2 используйте закрытый тип охлаждающей колонны. Когда качество циркулирующей жидкости низкое, на водном теплообменнике возможно образование накипи, что приводит к снижению эффективности теплообмена и возможной коррозии теплообменника. Пожалуйста обратите особое внимание на обработку воды и на контроль за ее качеством при установке системы циркулирующей жидкости.

- Удаление посторонних предметов или загрязнений из внутренностей труб.  
Во время установки следите за тем, чтобы посторонние предметы, такие как частицы окалины от сварки, частицы герметизирующих материалов или пыль, не попали в трубы.
- Контроль за качеством воды
  - ① В зависимости от качества холодной воды, используемой в кондиционере воздуха, возможна коррозия медных труб теплообменника. Мы рекомендуем проводить систематический контроль за качеством воды.  
Системы циркуляции холодной воды, работающие по принципу подогрева водонакопителей открытым теплом, особенно уязвимы для коррозии.
  - ② Стандарт качества воды

Параметры		Стандартные значения
Стандартные параметры	PH (25°C)	7,0 ~ 8,0
	электропроводность (25°C) ( $\mu$ s/cm)	300 или менее
	Ион хлора Cl <sup>-</sup> (мг/л)	50 или менее
	Ион сульфата SO <sub>4</sub> <sup>2-</sup> (мг/л)	50 или менее
	M-щелочность CaCO <sub>3</sub> (мг/л)	50 или менее
	Суммарная твердость CaCO <sub>3</sub> (мг/л)	70 или менее
Справочные параметры	Железо Fe (мг/л)	1,0 или менее
	Ион серы S <sup>2-</sup> (мг/л)	Не обнаружены
	Ион аммония NH <sub>4</sub> <sup>+</sup> (мг/л)	Не обнаружены
Примечание. 2	Кварц SiO <sub>2</sub> (мг/л)	30 или менее

Примечание. 2 Со всей ясностью установлено, что компоненты справочных параметров опасны для здоровья, при этом, однако, количественное соотношение между содержанием компонента и уровнем опасности пока до конца не установлено. Именно поэтому данные параметры приводятся в списке в качестве справочных параметров.

- ③ Пожалуйста проконсультируйтесь у специалиста по методам контроля качества воды о методах контроля качества воды и о расчете качества перед тем, как использовать антикоррозийные растворы для обеспечения качества воды.
- ④ При замене ранее установленного устройства кондиционирования воздуха (даже если производится только замена теплообменника), сначала проведите анализ качества воды и проведите проверку на возможную коррозию.  
Коррозия в системах циркуляции холодной воды может иметь место даже при отсутствии признаков коррозии в прошлом.  
При снижении качества воды пожалуйста откорректируйте его до необходимых стандартов перед заменой прибора.

### 6.4. Электроблокировка насоса

В приборе теплоисточника возможны повреждения при его эксплуатации без циркулирования жидкости по трубам.

Обязательно заблокируйте работу прибора и работу насоса циркуляции жидкости. Для электроблокировки используйте блоки концевиков (ТВ8-3, 4), расположенные на приборе. В случае сигнального подсоединения цепи блокировки насоса к ТВ8-3, 4 снимите провод закорачивания. Также, для предотвращения детекции ошибок, связанных с низкокачественными соединениями, на нагнетательном клапане 63 PW используйте ток низкой силы в 5 mA или ниже.

[Fig. 6.4.1] (P2)

- Ⓐ Провод закорачивания (Подсоединяется перед доставкой с завода-изготовителя)
- Ⓑ Соединение цепи электроблокировки насоса



## 7. Установка труб хладагента

Серия приборов City Multi WR2 имеет на конце систему разветвления, в которой хладагент от внешнего прибора разветвляется на регуляторе ВС и подводится к каждому внутреннему прибору.

Принят метод фланцевого соединения для труб низкого давления и соединения развальцовкой для труб высокого давления между внешним прибором и регулятором ВС и соединения развальцовкой между регулятором ВС и внутренним прибором. Соединение пайкой применяется для узла стыковки труб и узла разветвления труб.

### ⚠ Предупреждение:

Всегда проявляйте предельную осторожность для предотвращения утечки газа хладагента (R407C) при использовании пламени. Если газ хладагента войдет в контакт с пламенем из любого источника, например пламенем газовой плиты, он расщепляется и генерирует ядовитый газ, который может вызвать отравление. Никогда не проводите сварку в непроветриваемом помещении. После прокладки труб хладагента всегда проверьте, что утечки газа нет.

### 7.1. Осторожно

- ① Используйте для труб хладагента следующие материалы:
  - Материал: Используйте трубы хладагента, изготовленные из фосфористой восстановленной меди. Кроме того, убедитесь в отсутствии вредных серных и оксидных смесей, пыли/грязи, металлической стружки, масел, влаги или иных загрязнений на внутренней и наружной поверхности труб (Для моделей с хладагентом R407C).
- ② Покупаемые трубы часто покрыты пылью и другими материалами. Всегда продувайте их чистым инертным газом.
- ③ Проявляйте осторожность, чтобы при изолировании труб туда не проникла пыль, вода или другие загрязняющие вещества.
- ④ По возможности сокращайте число изгибов и делайте радиус изгиба как можно большим.
- ⑤ Всегда соблюдайте ограничения, обозначенные на трубах хладагента (например номинальная длина, перепад давления, диаметр трубы). Несоблюдение этих условий может вызвать падение прибора или ухудшение показателей обогрева/охлаждения.
- ⑥ Модели CM WR2 Series прекращают работу при недостаточном или избыточном количестве хладагента. При этом всегда следует правильно зарядить прибор. При проведении техобслуживания всегда сверяйтесь с замечаниями, указывающими длину труб и количество дополнительного хладагента в обеих точках, с таблицей расчета количества хладагента на задней части сервисной панели и с информацией по дополнительному хладагенту на этикетках при использовании нескольких внутренних приборов.
- ⑦ Используйте для заполнения системы жидкий хладагент.
- ⑧ Никогда не используйте хладагент для продувки, Всегда пользуйтесь вакуумным насосом.
- ⑨ Всегда изолируйте трубы надлежащим образом. Недостаточная изоляция приведет к ухудшению показателей нагрева/охлаждения, появлению капель воды в результате конденсации и другим подобным проблемам.
- ⑩ При подсоединении труб хладагента убедитесь, что шаровой клапан прибора теплоисточника полностью закрыт (установка изготовителя) и не используйте прибор, пока не будут подсоединены трубы хладагента прибора теплоисточника и внутреннего прибора, не будет выполнен тест на наличие утечки хладагента и не будет завершен процесс продувки.
- ⑪ Всегда используйте неокисляющиеся материалы для спайки. Если не используются неокисляющиеся материалы для спайки, может произойти засорение или повреждение компрессора.

## 8. Дополнительный заряд хладагента

При поставке с завода-изготовителя прибор теплоисточника заправляется хладагентом. Поскольку этот заряд не включает количество, необходимое для продленных труб, на площадке потребуются провести дополнительную заправку для каждой линии хладагента. Для правильного обслуживания в будущем всегда держите записи по размеру и длине каждой линии хладагента и количеству дополнительно заправленного хладагента в специально отведенном для этого месте на внешнем приборе.

### 8.1. Расчет дополнительного заряда хладагента

- Рассчитайте величину дополнительного заряда на основе длины удлинительного участка трубы и размера линии хладагента.
- Используйте таблицу справа для руководства при расчете величины дополнительного заряда и заправьте систему соответственно.

- ⑫ Никогда не выполняйте работы по соединению труб наружного прибора под дождем.

### ⚠ Предупреждение:

При установке и монтаже прибора заряжайте его только хладагентом, указанным на приборе.

- Подмешивание другого хладагента, воздуха и т.д. может нарушить цикл охлаждения и стать причиной серьезного повреждения.

### ⚠ Внимание:

- Используйте вакуумный насос с контрольным клапаном обратного хода. (Для моделей с хладагентом R407C)
  - Если вакуумный насос не оснащен контрольным клапаном обратного хода, масло вакуумного насоса может проникнуть обратно в цикл охлаждения и привести к ухудшению масла охлаждения и другим проблемам.
- Не используйте показанные ниже инструменты с обычным хладагентом. (Для моделей с хладагентом R407C) (Манифольд, зарядный шланг, детектор обнаружения утечки газа, контрольный клапан, основу заряда хладагентом, вакуумный датчик, оборудование для сбора хладагента)
  - Подмешивание обычного хладагента и масла охлаждения может вызвать ухудшение масла охлаждения.
  - Подмешивание воды может вызвать ухудшение масла охлаждения.
  - Хладагент R407C не содержит хлорина. Поэтому детекторы утечек газа, предназначенные для обычных хладагентов, не обнаруживают его.
- Обращайтесь с инструментами особенно внимательно. (Для моделей с хладагентом R407C)
  - Попадание в цикл охлаждения пыли, грязи или воды может вызвать ухудшение масла охлаждения.
- Никогда не пользуйтесь имеющимися трубами хладагента. (Для моделей с хладагентом R407C)
  - Большое количество хлорина в обычном хладагенте и масле охлаждения в имеющихся трубах вызовет ухудшение нового хладагента.
- Храните трубы, предназначенные для установки, в помещении; оба конца труб должны быть герметически закрыты до непосредственного момента спайки.
  - При попадании пыли, грязи или воды в цикл охлаждения масло ухудшится и может выйти из строя компрессор.
- Не используйте зарядный баллон. (Для моделей с хладагентом R407C)
  - Использование зарядного баллона может вызвать ухудшение хладагента.
- Не пользуйтесь специальными моющими средствами для мойки труб.

## 7.2. Система труб хладагента

Примеры подсоединения

[Fig. 7.2.1] (P.3)

- |  |                              |
|--|------------------------------|
| Ⓐ Труба высокого давл                              | Ⓑ Труба низкого давл         |
| Ⓒ Соединение прибора теплоисточника/контроллера ВС |                              |
| Ⓓ Общая мощность внутренних приборов               |                              |
| Ⓔ Линия жидкости                                   | Ⓕ Линия газа                 |
| Ⓖ Номер модели                                     |                              |
| Ⓐ Регулятор ВС                                     | Ⓑ Внутренний прибор (20-140) |
| Ⓒ Внутренний прибор (200, 250)                     |                              |

- Если результат подсчета составляет дробь меньше 0,1 кг. Например, если при расчете было получено 10,62 кг, округлите результат до 10,7 кг.

<Дополнительный заряд>

$$\begin{matrix} \text{Дополнительный} \\ \text{заряд} \\ \text{хладагента} \\ \text{(кг)} \end{matrix} = \begin{matrix} \text{Размер трубы} \\ \text{жидкости Общая} \\ \text{длина } \phi 19,05 \times 0,16 \\ \text{(м)} \times 0,16 \text{ (кг/м)} \end{matrix} + \begin{matrix} \text{Размер трубы} \\ \text{жидкости Общая} \\ \text{длина } \phi 9,52 \times 0,06 \\ \text{(м)} \times 0,06 \text{ (кг/м)} \end{matrix} + \begin{matrix} \text{Размер трубы} \\ \text{жидкости Общая} \\ \text{длина } \phi 6,35 \times 0,024 \\ \text{(м)} \times 0,024 \text{ (кг/м)} \end{matrix} + \alpha$$

<Пример>

Внутр. 1: 40	A: $\phi 19,05$	40 м	a: $\phi 6,35$	10 м	} При указанных ниже условиях
2: 100	B: $\phi 9,52$	10 м	b: $\phi 9,52$	5 м	
3: 40	C: $\phi 9,52$	15 м	c: $\phi 6,35$	10 м	
4: 32			d: $\phi 6,35$	10 м	
5: 63			e: $\phi 9,52$	10 м	

Общая длина каждой линии жидкости следующая:

ø19,05: A = 40 м

ø9,52: B + b + e = 10 + 5 + 10 = 25 м

ø6,35: a + c + d = 10 + 10 + 10 = 30 м

Следовательно,

<Пример расчета>

Дополнительный заряд хладагента

= 40 × 0,16 + 25 × 0,06 + 30 × 0,024 + 2 = 10,7 кг

Значение α

Общая мощность соединяющихся внутренних приборов	α
до Модели 80	1,0 кг
Модели 81 - 160	1,5 кг
Модели 161 - 330	2,0 кг
Модели 331 - 375	2,5 кг

## 8.2. Меры предосторожности при подсоединении труб/управлении клапанами

- Точно выполняйте инструкции по соединению труб и эксплуатации клапанов.
- Труба подсоединения со стороны поступления газа собрана изготовителем.
  - При спаивании с соединительной трубой и фланцем удалите соединительную трубу и фланец из шарового клапана и проведите спайку вне прибора.
  - При удалении соединительной трубы и шарового клапана удалите пломбу, прикрепленную на задней стороне этого листа и наклейте его на поверхность фланца шарового клапана, чтобы в него не попала пыль.
  - Цикл охлаждения закрыт круглым сплошным уплотнением при отгрузке, для предотвращения утечки газа между фланцами. Поскольку в таком состоянии работа невозможна, убедитесь, что вы заменили уплотнение другим, не сплошным уплотнением, имеющим отверстия, закрепленным у соединения трубы.
  - При укреплении уплотнения с отверстиями сотрите пыль с поверхности фланца и уплотнения. Нанесите на обе поверхности уплотнения слой охлаждающего машинного масла (Масло сложного или простого эфира или алкинбензол [небольшое количество]).

[Fig. 8.2.1] (P3)

- После продувки и зарядки хладагентом убедитесь, что ручка полностью в открытом положении. При работе с закрытым клапаном в цикле охлаждения возникнет нарушение давления, что в свою очередь повредит компрессор, четырехходовой клапан и т.д.
- Определите количество дополнительного заряда хладагента с помощью формулы и зарядите дополнительный хладагент через сервисный порт после того, как работа по соединению труб будет завершена.
- По окончании работы надежно закройте сервисный порт и крышку, чтобы не было утечки газа.

[Fig. 8.2.2] (P3)

- <A> [Шаровой клапан (со стороны низкого давления)]
- <B> [Шаровой клапан (со стороны высокого давления)]  
(На этой иллюстрации клапан показан в полностью открытом состоянии.)
- Стержень клапана  
[Полностью закрыт изготовителем, при подсоединении труб, при продувке и при зарядке дополнительным хладагентом. Полностью открыт после выполнения этих работ.]
  - Стопор [Предотвращает поворот стержня клапана на 90° или более]
  - Уплотнение (приспособление)
  - Соединительная труба (приспособление)  
[Используя уплотнение надежно подсоедините эту трубу к фланцу клапана, чтобы не было утечки газа. (Крутящий момент: 25 N·m (250 кг·см)) Смажьте обе стороны уплотнения маслом охлаждения (Масло сложного или простого эфира или алкинбензол [небольшое количество]).]
  - Открыть (Выполняйте медленно)
  - Крышка, медная  
[Снимите крышку и управляйте стержнем клапана. Всегда снова закрывайте клапан крышкой по окончании работы. (Крутящий момент крышки стержня клапана: 25 N·m (250 кг·см) или более)]
  - Сервисный порт  
[Используется для продувки труб хладагента и добавления дополнительного хладагента на объекте. Открывайте и закрывайте этот порт с помощью двустороннего гаечного ключа. Всегда снова закрывайте его крышкой по окончании работы. (Крутящий момент крышки сервисного порта: 14 N·m (140 кг·см) или более)]

- Гайка с раструбом  
[(Крутящий момент: 120 N·m (1200 кг·см))  
Ослабляйте и закручивайте эту гайку с помощью двустороннего гаечного ключа.  
Смажьте контактную поверхность раструба маслом охлаждения (Масло сложного или простого эфира или алкинбензол [небольшое количество]).]
- ø19,05
- ø25,4 (PQRY-P200)  
ø28,58 (PQRY-P250)
- Прокладка труб на объекте  
[Припаяйте соединительную трубу. (При спайке используйте неокисленный припой.)]
- Плотная упаковка
- Уплотнение с отверстиями

Соответствующий крутящий момент гаечного ключа с ограничителем крутящего момента:

Внешний диаметр медной трубы (мм)	Крутящий момент (N·m) / (кг·см)
ø6,35	14 до 18 / 140 до 180
ø9,52	35 до 42 / 350 до 420
ø12,7	50 до 57,5 / 500 до 575
ø15,88	75 до 80 / 750 до 800
ø19,05	100 до 140 / 1000 до 1400

Стандарт угла закручивания:

Диаметр трубы (мм)	Угол закручивания (°)
ø6,35, ø9,52	60 до 90
ø12,7, ø15,88	30 до 60
ø19,05	20 до 35

[Fig. 8.2.3] (P3)

Примечание:

Если нет гаечного ключа с ограничителем крутящего момента, используйте следующий метод:

При закручивании гайки с раструбом с помощью гаечного ключа вы достигаете точки, где крутящий момент резко увеличивается. Поверните гайку с раструбом после этой точки на угол, указанный в таблице выше.

### ⚠ Внимание:

- Всегда удаляйте соединительную трубу и фланец из шарового клапана и проводите спайку вне прибора.
  - При спайке соединительной трубы в установленном состоянии шаровой клапан нагреется и вызовет повреждение или утечку газа. Также могут быть обожжены трубы внутри прибора.
- Используйте в качестве масла охлаждения масло сложного или простого эфира или алкинбензол (небольшое количество) для покрытия раструбов и фланцевых соединений. (Для моделей с хладагентом R407C)
  - Масло охлаждения испортится при смешивании с большим количеством минерального масла.
- Не используйте добавки обнаружения утечки.

## 8.3. Тест на герметичность, продувка и зарядка хладагента

### ① Тест на герметичность

Выполняйте при закрытом шаровой клапане наружного прибора и герметизируйте трубы соединения и внутренний прибор через сервисный порт на шаровой клапане наружного прибора. (Подачу давления всегда производите из обоих портов обслуживания — трубопровода высокого давления и трубопровода низкого давления.)

[Fig. 8.3.1] (P3)

- |                           |                          |                  |
|---------------------------|--------------------------|------------------|
| Ⓐ Азот                    | Ⓑ К внутреннему прибору  |                  |
| Ⓒ Анализатор системы      | Ⓓ Рукоятка Вниз          | Ⓔ Рукоятка Вверх |
| Ⓔ Шаровой клапан          | Ⓕ Труба низкого давления |                  |
| Ⓖ Труба высокого давления |                          |                  |
| Ⓘ Прибор теплоисточника   | Ⓜ Сервисный порт         |                  |

<Для моделей с хладагентом R407C>

Метод проведения теста на герметичность практически такой же, как и для R22 моделей. Однако поскольку указанные ограничения связаны с воздействием на масло охлаждения, всегда соблюдайте их. Кроме того, при использовании неазеотропного хладагента (R407C, и т.д.) утечка газа вызывает изменение химического состава смеси и неблагоприятно сказывается на эффективности работы прибора. В связи с этим необходимо провести тщательное испытание на герметичность.

Порядок проведения теста на герметичность	Ограничения
<p>1. Герметизация с помощью азота</p> <p>(1) После герметизации до требуемого уровня давления (2,94 МПа) с помощью азота оставьте прибор примерно на один день. Если после этого давление не упадет, значит герметичность в порядке.</p> <p>Однако если давление упадет, то поскольку точка утечки неизвестна, можно выполнить следующий тест.</p> <p>(2) После описанной выше герметизации опрыскайте участки соединения фланцев, участки спайки, фланцы и другие участки, где может происходить утечка, специальным пузырящимся агентом (Кьюбофлекс и т.д.) и затем смотрите, где будут возникать пузырьки.</p> <p>(3) После окончания теста на герметичность сотрите пузырящийся агент.</p>	<ul style="list-style-type: none"> <li>• При использовании воспламеняющегося газа или воздуха (кислорода) в качестве агента герметизации, может возникнуть пожар или взрыв.</li> </ul>
<p>2. Герметизация с помощью газа охлаждения и азота</p> <p>(1) Доведите давление газа приблизительно до 0,2 МПа, доведите до расчетного давления (2,94 МПа), используя азот.</p> <p>Однако не герметизируйте сразу. Остановитесь во время герметизации и проверьте, что давление не падает.</p> <p>(2) Проверьте, нет ли утечки через участки соединения фланцев, участки спайки, фланцы и другие участки, где может происходить утечка, с помощью совместимого с R407C электродетектора утечек.</p> <p>(3) Этот тест можно проводить вместе с тестом с применением пузырящегося агента.</p>	<ul style="list-style-type: none"> <li>• Не используйте другие хладагенты, кроме того, который указан на приборе.</li> <li>• Герметизация газом из баллона вызовет изменение композиционного состава хладагента в баллоне. (Для моделей с хладагентом R407C)</li> <li>• Используйте манометр давления, зарядную коробку и другие части, специально предназначенные для R407C. (Для моделей с хладагентом R407C)</li> <li>• Электрический детектор утечки газа для хладагента R22 не способен обнаружить утечку газа хладагента R407C.</li> <li>• Не используйте галлоидный фонарь. (Он не обнаружит утечек.)</li> </ul>

## ② Продувка

Производите откачку с закрытым шаровым клапаном прибора теплоисточника; с помощью вакуумного насоса произведите откачку как соединительных труб, так и внутреннего блока кондиционера с сервисного порта, расположенного на шаровом клапане прибора теплоисточника. (Всегда опорожняйте из обоих портов обслуживания — трубопровода высокого давления и трубопровода низкого давления.) По достижении уровня вакуума 650 Па [abs] продолжайте продувку еще в течение одного часа или более.

\* Никогда не осуществляйте продувку с помощью хладагента.

### [Fig. 8.3.2] (P3)

- |                          |                           |
|--------------------------|---------------------------|
| Ⓐ Анализатор системы     | Ⓜ Шаровой клапан          |
| Ⓑ Рукоятка Вверх         | Ⓝ Труба высокого давления |
| Ⓒ Рукоятка Вниз          | Ⓓ Тройное соединение      |
| Ⓓ Труба низкого давления | Ⓟ Клапан                  |
| Ⓛ Сервисный порт         | Ⓠ Клапан                  |
| Ⓚ Клапан                 | Ⓡ Весы                    |
| Ⓛ Баллон                 |                           |
| Ⓜ Вакуумный насос        |                           |

### Примечание:

- Всегда добавляйте соответствующее количество хладагента. Также всегда герметизируйте систему жидким хладагентом. Недостаточное или избыточное количество хладагента приведет к неполадкам.
- Используйте калиброванный манифольд, шланг зарядки и другие части, предназначенные для хладагента, которые обозначены на приборе.
- Используйте гравиметрический датчик. (Способный к замерам до 0,1 кг.)
- Используйте вакуумный насос с контрольным клапаном обратного хода. (Для моделей с хладагентом R407C)  
(Рекомендуемый вакуумный датчик: РОБИНЭЙР 14830А, Термистор)  
Также используйте вакуумный датчик, который регистрирует 0,5 Торр или выше после пяти месяцев работы.

## ③ Зарядка хладагента (Для моделей с хладагентом R407C)

Поскольку в приборе используется неазеотропный хладагент, его следует заряжать в жидкой фазе. Соответственно, при зарядке прибора хладагентом из баллона, если в баллоне нет сифонной трубы, заряжайте жидкий хладагент, перевернув баллон верхом вниз, как показано ниже. Если на баллоне нет сифонной трубы, как показано на рисунке справа, то жидкий хладагент можно заряжать при обычном вертикальном положении баллона. Поэтому внимательно ознакомьтесь с техническими условиями баллона. Если прибор требуется заряжать газовым хладагентом, замените весь хладагент новым хладагентом. Не используйте оставшийся в баллоне хладагент.

### [Fig. 8.3.3] (P3)

## 8.4. Термоизоляция труб хладагента

Обязательно изолируйте трубы хладагента, обернув отдельно трубы для жидкости и трубы для газа в термостойчивый полиэтилен достаточной толщины, чтобы не было зазора в соединении между внутренним прибором и изоляционным материалом. При недостаточной изоляции произойдет конденсация и образование капель воды. Проявляйте особое внимание к изоляции на потолке.

### [Fig. 8.4.1] (P4)

- |                                   |                   |
|-----------------------------------|-------------------|
| Ⓐ Стальная проволока              | Ⓜ Трубы           |
| Ⓒ Асфальтовая мастика или асфальт |                   |
| Ⓓ Термоизоляционный материал А    | Ⓝ Наружный слой В |

Термоизоляционный материал А	Стекловолоконно + Стальная проволока	
	Адгезив + Термостойчивая полиэтиленовая губка + Адгезивная лента	
Наружный слой В	Внутренний прибор	Виниловая лента
	Пол	Водонепроницаемая ткань + Бронзовый асфальт
	Наружный прибор	Водонепроницаемая ткань + Цинковая пластина + Маяльная краска

### Примечание:

- При использовании полиэтилена в качестве покрытия не требуется асфальтового покрытия.
- Для электропроводов не требуется термоизоляция.

### [Fig. 8.4.2] (P4)

- |                           |                          |
|---------------------------|--------------------------|
| Ⓐ Труба высокого давления | Ⓜ Труба низкого давления |
| Ⓒ Электропровод           | Ⓓ Лента для заканчивания |
| Ⓔ Изолятор                |                          |

### [Fig. 8.4.3] (P4)

## Проникновение в стены и перекрытия

### [Fig. 8.4.4] (P4)

- |   |                          |
|---|--------------------------|
| <A> Внутренняя стена (скрытое)  | <B> Наружная стена       |
| <C> Наружная стена (открытое)   | <D> Пол (пожарозащитное) |
| <E> Желоб труб на крыше   |                          |
| <F> Проникающая часть на пожарозащитном перекрытии и ограничивающей стене |                          |
- |  |                                   |
|--|-----------------------------------|
| Ⓐ Рукав  | Ⓜ Термоизоляционный материал      |
| Ⓒ Обертывающий материал                            | Ⓝ Негорючий строительный материал |
| Ⓔ Лента  | Ⓓ Водонепроницаемый слой          |
| Ⓛ Рукав с кромкой                                  | Ⓟ Обертывающий материал           |
| Ⓚ Бетон или другой негорючий строительный материал |                                   |
| Ⓛ Негорючий термоизоляционный материал             |                                   |

При заполнении пространства бетоном закройте проникающую часть стальной пластиной так, чтобы изоляционный материал не попадал туда. Используйте в этом месте негорючие материалы и для изоляции, и для покрытия. (Виниловое покрытие нельзя использовать.)

## 9. Электропроводка

### 9.1. Осторожно

- ① Следуйте правилам техники безопасности, официально предписанным для работы с электрооборудованием, электропроводки и требованиям организации по электроснабжению.
- ② Проводка для управления (называемая ниже "линией передачи") должна отстоять на 5 см или более от проводки источника питания с тем, чтобы на нее не влиял электрический шум от проводки источника питания. (Не вставляйте линию передачи и кабель источника питания в один и тот же кабелепровод.)
- ③ Обеспечьте правильное заземление прибора теплоисточника.
- ④ Примите во внимание проводку коробки электродеталей внутреннего и внешнего приборов, поскольку коробку иногда приходится снимать во время работ по техобслуживанию.
- ⑤ Никогда не подсоединяйте сетевой источник питания к колодке концевиков линии передачи. В противном случае произойдет подгорание электрических элементов.
- ⑥ Используйте 2-жильный экранированный кабель для линии передачи. Если линии передачи различных систем включаются в один и тот же многожильный кабель, это поведет к ухудшению приема и передачи и неустойчивой работе.
- ⑦ Только специально обозначенная линия передачи может быть подсоединена к блоку концевиков для передачи к прибору теплоисточника. (Линия передачи, подсоединяемая к внутреннему прибору: Блок концевиков ТВ3 для линии передачи. Остальное: блок концевиков ТВ7 для централизованного управления.) При неправильном подсоединении система не работает.
- ⑧ В случае соединения с регулятором высшего класса или для обеспечения групповой работы различных систем хладагента необходима линия управления для передачи между отдельными приборами теплоисточника. Подсоедините эту линию управления между блоками концевиков для централизованного управления. (2-жильная линия без полярности.) При осуществлении групповой работы в различных системах хладагента без подсоединенного регулятора высшего класса, замените вставку соединителя закорачивания с CN41 одного внешнего прибора на CN40.
- ⑨ Группа устанавливается при помощи дистанционного управления.
- ⑩ Неиспользованные пробиваемые отверстия следует закрыть, при этом отверстия труб хладагента, водных труб, а также отверстия для проводов питания и проводов передачи следует заблокировать стекольной замазкой или сходным материалом для обеспечения защиты от дождя. (при монтаже в полевых условиях)

### 9.2. Блок управления и положение проводки

1. Соедините линию передачи внутреннего прибора с концевыми соединениями передачи (ТВ3) или соедините провода между приборами теплоисточника или провода центральной системы управления с концевыми соединениями центрального управления (ТВ7).

### Пример работы заземленной системы с многочисленными внешними приборами (подсоединения и провода прикреплены как необходимо)

<Примеры проводки кабелей передачи>

[Fig. 9.3.1] Контроллер дУ "M-NET" (P4)

[Fig. 9.3.2] Контроллер дУ "MA" (P4)

- Ⓐ Группа 1      Ⓑ Группа 3      Ⓒ Группа 5      Ⓓ Экранированный провод      Ⓔ Дополнительный дистанционный блок управления  
( ) Адрес

<Метод электропроводки и адресная настройка>

- a. Всегда используйте экранированные провода при подсоединении между прибором теплоисточника (OC) и внутренним прибором (IC), а также между OC и IC и IC.
- b. Используйте фидерную проводку для соединения концевиков M1 и M2 и концевика заземления на блоке кабеля передачи (ТВ3) каждого прибора теплоисточника (OC) с концевиками M1, M2 и S на блоке кабеля передачи внутреннего прибора (IC).
- c. Соедините концевики 1 (M1) и 2 (M2) на блоке концевиков кабеля передачи внутреннего прибора (IC), который имеет самый недавний адрес в этой же группе, к блоку концевиков на дистанционном блоке управления (RC).
- d. Соедините между собой концевики M1, M2 и S на блоке концевиков для центрального регулятора (ТВ7) для прибора теплоисточника (OC).
- e. Только на одном приборе теплоисточника – измените соединительную перемычку на панели управления с CN41 на CN40.
- f. Соедините концевик S на блоке концевиков центрального регулятора (ТВ7) прибора теплоисточника (OC) для того прибора в вышеописанной операции была вставлена соединительная перемычка CN40, к концевнику заземления. (⊕) в коробке электрической панели.
- g. Установите выключатель адресной настройки, как указано ниже.

\* Чтобы установить адрес прибора теплоисточника на 100, переключатель адреса прибора теплоисточника должен быть установлен на 50.

При использовании экранированного провода подсоедините экранированный провод заземления линии передачи внутреннего прибора к винту заземления (⊕) и соедините экранированный провод заземления линии между приборами теплоисточника и линией передачи центральной системы управления с экранированным (S) терминалом коробки концевых соединений (ТВ7) центрального управления (S). Кроме того, при замене в приборе теплоисточника соединителя питания CN41 на соединитель CN40, экранированную клемму (S) коробки концевых соединений (ТВ7) системы центрального управления следует также подсоединить к заземлению (⊕).

[Fig. 9.2.1] (P4)

- Ⓐ Источник питания      Ⓑ Линия передачи

2. Пластины монтажа кабельного желоба поставлены в комплекте (ø27). Проведите сетевые кабели и провода передачи через соответствующие пробиваемые отверстия, а затем снимите пробиваемую пластину с нижней панели коробки концевых соединений и подсоедините провода.
3. Закрепите провода источника питания на коробке концевых соединений с помощью буферной втулки для прочности на разрыв (соединитель PG или тому подобный).

### 9.3. Прокладка кабелей передачи

#### ① Типы кабелей управления

##### 1. Прокладка кабелей передачи

- Типы кабелей управления: Экранированные провода CVVS или CPEVS
- Диаметр кабеля: Свыше 1,25 мм<sup>2</sup>
- Максимальная длина проводки: В пределах 200 м

##### 2. Кабели дистанционного управления

Тип кабеля дистанционного управления	2-жильный кабель (неэкранированный)
Диаметр кабеля	0,3 - 1,25 мм <sup>2</sup>
Замечания	При превышении длины 10 м используйте кабель с теми же спецификациями, какие указаны в пункте (1) Прокладка кабелей передачи.

#### ② Примеры проводки

- Название регулятора, его символ и допускаемое число регуляторов

Название	Символ	Допускаемое число регуляторов
Регулятор прибора теплоисточника	OC	
Регулятор BC	BC	Один регулятор на один OC
Регулятор внутренних приборов	IC	2-10 регуляторов на один OC
Дистанционный блок управления	RC	Максимум два на группу

Прибор	Диапазон	Метод настройки
IC (Главный)	01 - 50	Используйте самый недавний адрес в одной и той же группе внутренних приборов (IC)
IC (Дополнительный)	01 - 50	Используйте адрес, помимо адреса IC (Главного) из приборов в одной и той же группе внутренних приборов. Он должен быть последовательным с IC (Главным)
Прибор теплоисточника	51 - 100	Используйте самый недавний адрес из всех внутренних приборов в той же системе хладагента + 50
Регулятор BC	51 - 100	Адрес прибора теплоисточника + 1
M-NET R/C (Главный)	101 - 150	Настройте адрес IC (Главного) + 100
M-NET R/C (Дополнительный)	151 - 200	Настройте адрес IC (Главного) + 150
MA R/C	-	Неужная настройка адреса (Необходимая настройка - установка "главный/подчиненный")

h. Операция групповой настройки среди некоторого числа внутренних приборов выполняется дистанционным блоком управления (RC) после включения электропитания. Более подробная информация приводится в руководстве по установке дистанционного регулятора.

<Допускаемая длина>

#### ① Контроллер ДУ "M-NET"

- Максимальная длина через приборы теплоисточника:  $L_1+L_2+L_3+L_4$  и  $L_1+L_2+L_3+L_5$  и  $L_1+L_2+L_6+L_7 \leq 500$  м (Не менее 1,25 мм<sup>2</sup>)
- Максимальная длина кабеля передачи:  $L_1$  и  $L_3+L_4$  и  $L_3+L_5$  и  $L_6$  и  $L_2+L_6$  и  $L_7 \leq 200$  м (Не менее 1,25 мм<sup>2</sup>)
- Длина провода дистанционного блока управления:  $l_1, l_2, l_3, l_4 \leq 10$  м (0,3 - 1,25 мм<sup>2</sup>)  
Если длина превышает 10 м, используйте экранированный провод 1,25 мм<sup>2</sup>. Длина этого отрезка ( $L_8$ ) должна быть включена в расчет максимальной длины и общей длины.

#### ② Контроллер ДУ "MA"

- Максимальная длина через внешние приборы (Кабель M-NET):  $L_1+L_2+L_3+L_4$  и  $L_1+L_2+L_6+L_7 \leq 500$  м (Не менее 1,25 мм<sup>2</sup>)
- Максимальная длина кабеля передачи (Кабель M-NET):  $L_1$  и  $L_3+L_4$  и  $L_6$  и  $L_2+L_6$  и  $L_7 \leq 200$  м (Не менее 1,25 мм<sup>2</sup>)
- Длина провода дистанционного блока управления:  $m_1$  и  $m_1+m_2+m_3$  и  $m_1+m_2+m_3+m_4 \leq 200$  м (0,3 - 1,25 мм<sup>2</sup>)

## 9.4. Электропроводка для сетевого питания и характеристики оборудования

Схема электропроводки (Пример)

[Fig. 9.4.1] (P4)

- Ⓐ Выключатель (прерывание цепи и утечки тока)      ⓑ Прибор теплоисточника      Ⓒ Регулятор BC  
 ⓓ Коробка плавкого типа      ⓔ Внутренний прибор      ⓕ Прерыватели тока утечки

Толщина проводов для главного источника питания и характеристики вкл/выкл.

Модель	Минимальная толщина провода (мм <sup>2</sup> )			Выключатель (A)		Прерыватель цепи (NFB)	Прерыватель против утечки тока
	Магистр. кабель	Отвод	Заземл.	Характ.	Предохр.		
Прибор теплоисточника	P200	-	4,0	32	32	40 A	30 A 100 mA 0,1сек. или менее
	P250	-	6,0	40	40	40 A	40 A 100 mA 0,1сек. или менее
Регулятор BC							
Внутренний прибор	1,5	1,5	1,5	16	16	20 A	20 A 30 mA 0,1сек. или менее

1. Используйте отдельный источник питания для подключения прибора теплоисточника и внутреннего прибора.
2. При проведении проводки и электросоединений имейте в виду окружающие условия (температуру окружающего воздуха, прямые солнечные лучи, дождевую воду и т. д.).
3. Размер провода является минимальной величиной для электропроводки в металлических трубах. Размер кабеля питания должен быть на 1 порядок толще ввиду падений напряжения. Убедитесь в том, что напряжение в сети питания падает не более, чем на 10 %.
4. Необходимо следовать специфическим требованиям по проведению электропроводки, соответствующим нормативам данного региона.
5. Шнуры питания частей устройств, предназначенных для наружной эксплуатации, не должны быть легче, чем гибкий шнур с оболочкой из полихлоропрена (дизайн 245 IEC57).
6. При установке кондиционера необходимо использовать выключатель с разделением контакта не менее 3 мм на каждом полюсе.

#### ⚠ Предупреждение:

- Обязательно используйте для соединений указанные провода так, чтобы на соединения концевиков не действовала внешняя сила. ненадежные соединения могут вызвать перегрев или пожар.
- Обязательно убедитесь в том, что Вы используете соответствующий тип переключателя защиты от сверхтока. Заметьте, что генерируемый сверхток может включать в себя некоторое количество постоянного тока.

#### ⚠ Внимание:

- На некоторых площадках может потребоваться установка прерывателя заземления. Отсутствие прерывателя в линии заземления может привести к электрическому удару.
- Используйте только прерыватели и предохранители с правильной характеристикой. Применение предохранителя или медного провода со слишком высокой характеристикой может вызвать отказ или возгорание прибора.

## 10. Контрольный запуск

### 10.1. Указанные ниже явления не являются неисправностями

Явление	Дисплей на пульте дистанционного управления	Причина
Внутренний прибор и регулятор ВС иногда генерируют звук при переключении между охлаждением и обогревом.	<b>Нормальный дисплей</b>	Это не составляет проблему, так как этот звук сопровождает выбор режима.
Внутренний прибор не выполняет охлаждения (отопления).	<b>Мигает “Охлаждение (отопление)”</b>	Если к одной ветви регулятора ВС подключены несколько внутренних приборов (макс. 3), работа в режиме отопления (охлаждения) невозможна в момент, когда другой внутренний прибор работает в режиме отопления (охлаждения).
Автовентилятор работает в свободном режиме.	<b>Дисплей обычный</b>	В связи с режимом управления автовентилятора он может изменять автоматически направление выдува на горизонтальное с выдува вниз при охлаждении, если выдув вниз выполнялся в течение 1 часа. Во время размораживания в режиме отопления при выключенном термостате он автоматически меняет направление выдува на горизонтальное.
При отоплении изменяется настройка вентилятора.	<b>Дисплей обычный</b>	Операция на ультра-низкой скорости начинается при выключенном термостате. Легкий воздух автоматически настраивается на установленное значение по времени или на температуру в трубопроводе при включенном термостате.
Во время оттапливания вентилятор останавливается.	<b>Дисплей размораживания</b>	При размораживании вентилятор должен останавливаться
Вентилятор не останавливается после окончания работы прибора.	<b>Нет света</b>	Вентилятор будет работать примерно 1 час после остановки для выдува остаточного тепла (только при отоплении)
Вентилятор не настраивается после включения выключателя.	<b>Отопление готово к работе</b>	Работа на ультра-низкой скорости в течение 5 минут после включения выключателя или до тех пор, пока температура трубопровода не достигнет 35°C; работа на низкой скорости ещё в течение 2-х минут после этого и затем в установленной скорости. (Управление температурой.)
При включении выключателя не включается прибор теплоисточника.	<b>Дисплей обычный</b>	При охлаждении наружного прибора и отдыхе хладагента нагревание выполняется в течение не менее 35 минут для прогрева компрессора. В это время работает только вентилятор.
Дистанционное управление внутреннего прибора показывает индикацию “НО” примерно в течение двух минут после включения электропитания.	<b>Мигает “НО”</b>	Система приводится в действие приводом. Снова включите дистанционный контроллер после того, как “НО” исчезнет.
Дренажный насос не останавливается после остановки прибора.	<b>Свет не горит</b>	После прекращения охлаждения дренажный насос прибора продолжает работать в течение трёх минут и затем останавливается.
Дренажный насос продолжает работать после остановки прибора.		Прибор продолжает работу дренажного насоса, если генерируется жидкость для дренажа, даже во время остановки.

# İçindekiler

1. Güvenlik Önlemleri .....	87	6.4. Pompa interlok bağlantısı .....	90
1.1. Montaj ve elektrik tesisatı işlerinden önce .....	87	7. Soğutucu borusunun montajı .....	90
1.2. R407C soğutucusu kullanacak araçlar için alınması gereken önlemler .....	87	7.1. Dikkat .....	90
1.3. Montajdan önce .....	88	7.2. Soğutucu boru sistemi .....	90
1.4. Montajdan (yer değiştirmeden) önce elektrik işleri .....	88	8. Ek soğutucu doldurma .....	91
1.5. Çalıştırma denemesine başlamadan önce .....	88	8.1. Ek soğutucu dolununun hesaplanması .....	91
2. İç ünitelerle birleştirme .....	88	8.2. Boruların bağlanmasında/vana kullanımında dikkat edilecek hususlar .....	91
3. Birlikte verilen parçaların teyidi .....	88	8.3. Hava Geçirmezlik testi, boşaltma ve soğutucu doldurma .....	91
4. Kaldırma yöntemi .....	89	8.4. Soğutucu Tesisatının Isı İzolasyonu .....	92
5. Ünitenin montajı ve bakım çalışma alanı .....	89	9. Elektrik Tesisatı .....	92
5.1. Montaj .....	89	9.1. Dikkat .....	92
5.2. Servis alanı .....	89	9.2. Kumanda kutusu ve kablo bağlantı konumu .....	93
6. Su borularının montajı .....	89	9.3. İletim kablosu bağlantılarının yapılması .....	93
6.1. Montaj sırasında dikkat edilecek hususlar .....	89	9.4. Ana güç kaynağı kablo bağlantıları ve donanım kapasitesi ....	94
6.2. İzolasyonun Montajı .....	89	10. İşletme testi .....	94
6.3. Su işleme ve kalite kontrolü .....	89	10.1. Aşağıdaki olaylar sorun (acil durum) ifade etmez .....	94

## 1. Güvenlik Önlemleri

### 1.1. Montaj ve elektrik tesisatı işlerinden önce

- ▶ Cihazı çalıştırmadan önce “Güvenlik Önlemleri”nin hepsini okumalısınız.
- ▶ Güvenlikle ilgili önemli noktalar “Güvenlik Önlemleri”nde belirtilmiştir. Lütfen bunlara kesinlikle uyunuz.

#### Metinde kullanılan simgeler

##### ⚠ Uyarı:

Kullanıcının yaralanması veya ölümü ile sonuçlanabilecek tehlikeleri önlemek için alınması gereken önlemleri açıklar.

##### ⚠ Dikkat:

Cihazın hasar görmesini önlemek için alınması gereken önlemleri açıklar.

#### Resimlerde kullanılan simgeler

- ⚠ : Kaçınılması gereken hareketleri gösterir.
- ⚠ : Önemli talimatlara mutlaka uymak gerektiğini gösterir.
- ⚠ : Topraklanması gereken parçaları gösterir.
- ⚠ : Elektrik çarpmasından sakınız. (Bu simge, ana üniteye yapıştırılmış etiket üzerinde kullanılır.) <Renk: sarı>

##### ⚠ Uyarı:

Ana üniteye yapıştırılmış olan etiketleri dikkatle okuyunuz.

##### ⚠ Uyarı:

- **Satıcıdan veya yetkili bir teknisyenden klimanın montajını yapmasını isteyiniz.**
  - Kullanıcı tarafından yanlış monte edilirse su kaçaıklarına, elektrik çarpmalarına ve yangına neden olur.
- **Üniteyi ağırlığını çekebilecek bir yere monte edin.**
  - Eğer cihaz yeterince sağlam olmayan bir yapı üzerine monte edilirse aşağıya düşerek yaralanmalara yol açabilir.
- **Elektriksel bağlantılar için yalnız belirtilen nitelikteki kabloları kullanınız. Kabloların terminalleri zorlamaması için kablo bağlantıları sağlam bir şekilde yapılmalıdır.**
  - Bağlantıların veya montaj işleminin doğru yapılmaması ısınmaya veya yangına yol açabilir.
- **Yağmur ve diğer nem olasılıkları ve depremlere karşı hazırlık yapın ve üniteyi belirtilen yere monte edin.**
  - Doğru monte edilmeyen cihazlar aşağıya düşerek yaralanmalara yol açabilirler.
- **Mutlaka Mitsubishi Electric'in belirttiği spesifikasyonlara uygun filtre ve diğer aksesuarları kullanın.**
  - Bütün aksesuarlar yetkili teknisyen tarafından monte edilmelidir. Doğru monte edilmeyen aksesuarlar su kaçağına, elektrik çarpmasına veya yangına yol açabilirler.
- **Cihazı asla kendiniz onarmayınız. Eğer onarım gerekiyorsa satıcınıza başvurun.**
  - Eğer onarım doğru yapılmazsa su kaçağı, elektrik çarpması veya yangın söz konusu olabilir.
- **Montaj işlemi sırasında soğutucu gazı sızarsa, odayı havalandırın.**
  - Soğutucu gaz alevle temas ederse, zehirli gazlar ortaya çıkar.

- **Montajı montaj elkitabında belirtildiği gibi gerçekleştirin.**
  - Yanlış montaj su kaçaıklarına, elektrik çarpmalarına ve yangına neden olabilir.
- **Tüm elektrik işleri ruhsatlı bir elektrikçi tarafından “Elektrik Tesisatı Mühendislik Standartlarına” ve “Dahili Kablo Düzenleme”lerine ve bu elkitabındaki talimatlara uygun olarak yapılmalıdır ve her zaman özel bir elektrik devresi kullanılmalıdır.**
  - Elektrik sağlama kapasitesi yeterli değilse ve elektrik işleri düzgün gerçekleştirilmezse elektrik çarpmasına ve yangına yol açabilir.
- **Dış Ünite terminal kapağını (panelini) emniyetli bir biçimde monte ediniz.**
  - Dış ünitenin terminal kapağı usulüne uygun takılmazsa, toz ve su dış ünite girebilir ve bu da elektrik çarpmasına ve yangına yol açabilir.
- **Klima cihazını monte ederken ve başka bir yere taşıırken, ünite belirtilen (R407C) soğutucusundan başka bir soğutucuyla doldurmayın.**
  - Başka bir soğutucu kullanılırsa veya orijinal soğutucuya hava karışırsa, soğutucu devre arızalanabilir ve ünite bozulabilir.
- **Eğer klima cihazı küçük bir odaya kurulacaksa, soğutucu kaçağı olması halinde bile odadaki soğutucu yoğunluğunun güvenlik sınırını aşmasını önlemek üzere önlem alınmalıdır.**
  - Geçerli yoğunluğun aşılmasını önlemeye yönelik önlemler konusunda yetkili satıcınıza danışınız. Soğutucunun dışarı sızarak yoğunluk sınırının aşması halinde, odadaki oksijen seviyesinin yetersiz kalmasından kaynaklanan kazalara yol açabilir.
- **Klimayı taşıırken veya tekrar monte ederken, satıcınıza veya yetkili bir teknisyene başvurun.**
  - Klimanın yanlış montajı su kaçaıklarına, elektrik çarpmalarına ve yangına neden olabilir.
- **Montajı tamamlandıktan sonra, soğutucu gaz kaçağı olmamasını sağlayınız.**
  - Soğutucu gaz kaçağı olursa ve de bir elektrik ısıtıcısına, fırına veya herhangi ısı kaynağıyla temas ederse zehirli gaz üretebilir.
- **Koruma cihazlarının ayarlarını yeniden kurmayın ya da değiştirmeyin.**
  - Basınç anahtarı, ısı anahtarı veya diğer koruma cihazları devreden çıkartılırsa, zorla işletilirse veya Mitsubishi Elektrik tarafından belirtilen parçalardan başka parçalar kullanılırsa, patlamaya ve yangına neden olabilir.
- **Bu ürünü uzaklaştırmak için yetkili satıcınıza danışın.**
- **Montajcı ve sistem uzmanı, kaçak olasılığına karşı güvenlik önlemlerini yerel yönetmelik veya standartlara uygun olarak alırlar.**
  - Eğer yerel yönetmelik yoksa aşağıdaki standartlar uygulanabilir.
- **Soğutucu gazı havadan ağır olduğu için, soğutucu gazının kalabileceği bodrum vb gibi yerlere özellikle dikkat edin.**

### 1.2. R407C soğutucusu kullanacak araçlar için alınması gereken önlemler

##### ⚠ Dikkat:

- **Varolan soğutucu borularını kullanmayın.**
  - Varolan borulardaki eski soğutucu ve soğutucu yağı çok yüksek miktarda klorin içerir. Bu da yeni ünitenin soğutucu yağının bozulmasına neden olabilir.
- **Fosforlu, oksijeni alınmış bakırdan yapılmış dikişsiz soğutucu boruları kullanın. Ayrıca, borunun iç ve dış yüzeylerini zararlı sülfür, oksitler, kir/ toz, talaş, yağlar, nem ve diğer kirlenici maddelerden koruyun ve temiz tutun.**
  - Soğutucu borularının içindeki kirlenici maddeler kalan soğutucu yağının bozulmasına sebep olabilir.
- **Montajda kullanılacak boruları içerde depolayınız ve boruların iki ağzını da bağlanmadan önceye kadar kapalı tutunuz. (Dirsekleri ve diğer bağlantıları bir plastik torbanın içinde saklayın.)**
  - Toz, pislik veya su soğutucu devresine gireirse, soğutucu yağının bozulmasına ve kompresör arızalarına yol açabilir.

- **Köşe ve flanş bağlantılarını kaplamak için soğutucu yağı olarak ester yağı, eter yağı ya da alkilbenzol (az miktarda) kullanın.**  
- Soğutucu yağı, büyük miktarlarda madeni yağla karıştırıldığında bozulur.
- **Sistemi doldurmak için sıvı soğutucu kullanın.**  
- Sistemin sızdırmazlığı için gaz soğutucu kullanılırsa, kazandaki soğutucunun bileşimi değişecektir ve bu performans kaybına yol açabilir.
- **R407C'den başka bir soğutucu kullanmayın.**  
- Başka bir soğutucu (örneğin R22 vb.) kullanılırsa, soğutucudaki klorin, soğutucu yağının bozulmasına neden olabilir.
- **Ters akıntı kontrol vanası olan bir vakum pompas kullanın.**  
- Vakum pompas yağı soğutucu devresine geri girebilir ve soğutucu yağının bozulmasına neden olabilir.
- **Geleneksel soğutucularda kullanılan aşağıdaki aletleri kullanmayın. (Ölçme manifoldu, şarz hortumu, gaz kaçağı detektörü, ters akıntı kontrol vanası, soğutucu şarz kasesi, soğutucu canlandırma donanımı)**  
- Geleneksel soğutucu ve soğutucu yağ R407C ile karışırsa, soğutucu bozulabilir.  
- R407C'ye su karışırsa soğutucu yağ bozulabilir.  
- R407C klorin içermediği için, geleneksel soğutucu gaz kaçağı detektörleri ona karşı reaksiyon göstermez.
- **Şarz silindiri kullanmayın.**  
- Şarz silindiri kullanmak soğutucunun bozulmasına yol açabilir.
- **Aletleri kullanırken özellikle dikkatli olun.**  
- Toz, pislik ve su soğutucu devresine girerse, soğutucu bozulabilir.

### 1.3. Montajdan önce

#### ⚠ Dikkat:

- **Cihaz, yanıcı gaz kaçağlarının meydana gelebileceği yerlerin yakınına monte edilmemelidir.**  
- Eğer gaz kaçağı olursa ve cihazın çevresinde gaz birikirse patlamaya yol açabilir.
- **Klimayı yiyecek maddeleri, bitki, hayvanlar, sanat eserleri ya da hassas cihazların bulunduğu yerlerde kullanmayın.**  
- Yiyeceklerin kalitesi vs., bozulabilir.
- **Özel ortamlarda klimayı kullanmayın.**  
- Buhar, yağ, kükürlü duman vb. klimanın performansını önemli ölçüde düşürebilir ve cihazın içindeki parçalara zarar verebilirler.
- **Ünitenin hastane, iletişim merkezi ya da benzeri yerlere monte edeceğiniz zaman gürültüye karşı yeterli koruma sağlayınız.**  
- Klima cihazı, inverter donanımlı, özel elektrik jeneratörü, yüksek frekanslı tıbbi teçhizat veya telsiz dayalı iletişim donanımından etkilendiği için hatalı çalışabilir veya çalışmayabilir. Diğer yandan, klima çıkardığı gürültüyle tıbbi tedavi ya da imaj yayını yapan teçhizatları etkileyebilir.
- **Ünitenin kaçağlara neden olacak bir yerin üstüne monte etmeyin.**  
- Odadaki nem oranı % 80'i aşınca veya drenaj borusu tıkanınca iç üniteden su sızabilir. İç ünitenin bu tür su sızmalarının zarar verebileceği bir yere kurmayınız. Toplu drenaj çalışmasını dış üniteyle beraber, gerektiğe yapın.

### 1.4. Montajdan (yer değiştirmeden) önce elektrik işleri

#### ⚠ Dikkat:

- **Üniteye topraklayın.**  
- Toprak hattını asla gaz veya su borularına, paratönere veya telefon toprak hattına bağlamayınız. Cihazın doğru biçimde topraklanmaması elektrik çarpmasına yol açabilir.
- **L hatlarının (L1, L2, L3) ters fazda olduğu sezilebilir (Hata kodu: 4103), ama L hatlarının ve N hattının ters fazda olduğu sezilemez.**  
- Yanlış bağlanmış kablolar akım verildiği takdirde bazı elektrik aksamı hasar görür.

## 2. İç ünitelerle birleştirme

Model	PQRY-P200YEM-A	PQRY-P250YEM-A
Gürültü düzeyi	51 dB <A>	52 dB <A>
Net ağırlık	270 kg	280 kg
Kabul edilebilir basınç	HP: 2,94 MPa, LP: 1,6 MPa	
Soğutucu	R407C: 7,5 kg	R407C: 8,5 kg
İç üniteler	Toplam kapasite	50 ~ 150 %
	Model / Miktar	20 ~ 200 / 1 ~ 15
Çalışma sıcaklığı	Su sıcaklığı: 10°C ~ 45°C Not. 1	

Not 1. İç ünitelerin toplam kapasitesi ısı kaynağı ünitesinin kapasitesinin % 130'unu aştığında sirkülasyondaki suyun çalışma sıcaklığı 15°C ~ 45°C arasındadır.

## 3. Birlikte verilen parçaların teyidi

- ① Askı civataları M12 × 4
- ② Kablo montaj levhası × 1
- ③ Kılavuz vida M4 × 2
- ④ Bağlantı borusu × 1 (Bağlantı borusu üniteyle tespit edilir.)
- ⑤ Paket (iç ø23, dış ø35) × 1
- ⑥ Kovan × 2

- **Elektrik kablolarını döşerken kabloları fazla germemeye dikkat ediniz.**  
- Gerginlik, kabloların kopmasına ve ısınmasına yol açar ve yangına neden olabilir.
- **Gerektiğinde, devre kesicisi takılmasını sağlayınız.**  
- Devre kesicisi takılmadığında, elektrik çarpması meydana gelebilir.
- **Elektrik kabloları için yeterli akım kapasitesine sahip standart kablo kullanınız.**  
- Çok küçük kablolar, kaçak yapabilir, ısı yaratabilir ve yangına neden olabilir.
- **Sadece belirtilen kapasitede sigorta ve devre kesici kullanınız.**  
- Gerekenden daha yüksek kapasiteli bir sigorta ya da devre kesici ya da çelik veya bakır tel kullanılması ünitenin arızalanmasına veya yangına yol açabilir.
- **Klima cihazı ünitelerini yıkamayınız.**  
- Yıkama işlemi elektrik çarpmasına yol açabilir.
- **Montaj temelinin uzun kullanmadan ötürü hasar görmemiş olduğuna dikkat ediniz.**  
- Hasar tamir edilmezse, ünitenin düşmesine, yaralanmalara ve mal hasarına yol açabilir.
- **Drenaj tesisatını bu Montaj Elkitabına uygun olarak döşeyiniz. Kondansasyonu önlemek için boruların üzerine ısı izolasyonu ile kaplayınız.**  
- Uygun olmayan drenaj boruları döşemesi, su kaçağlarına neden olabilir ve ev eşyalarının ve diğer malların hasar görmesine yol açabilir.
- **Donanımın taşınması sırasında çok dikkatli olunuz.**  
- Cihazın ağırlığı 20 kg'den fazla olduğunda tek kişi tarafından taşınmamalıdır.  
- Bazı mamulün ambalajında PP bantları kullanılmıştır. PP bantlarını taşıma amacıyla kullanmayınız. Bu tehlikelidir.  
- Isı kaynağı ünitesini vb. askı civataları ile taşırken dört noktadan destekleyin. Ünitenin sadece 3 veya daha az noktadan desteklenerek taşınması, yere konurken dengesiz olmasına ve düşmesine yol açabilir.
- **Ambalaj malzemelerinin emniyetli şekilde atılmasını sağlayın.**  
- Mandal gibi ambalaj malzemeleri ve diğer metal ya da tahta parçalar saplanmalara veya diğer yaralanmalara yol açabilir.  
- Çocukların oynamasını engellemek için plastik ambalaj torbalarını yırtıp atınız. Yırtılmamış bir plastik torbanın çocukların eline geçmesi, onunla oynamaları sırasında boğulma tehlikesi yaratabilir.

## 1.5. Çalıştırma denemesine başlamadan önce

#### ⚠ Dikkat:

- **Cihazı çalıştırmadan en az 12 saat önce ana elektrik şalterini açınız.**  
- Ana elektrik şalterini açtıktan hemen sonra cihazı çalıştırmak iç parçaların ciddi hasar görmesine yol açabilir. Cihazın çalıştırılacağı mevsimde ana elektrik şalterini açık bırakınız.
- **Anahtarlara ıslak elle dokunmayınız.**  
- Anahtarlara ıslak elle dokunulması elektrik çarpmasına yol açabilir.
- **Soğutucu madde borularına cihaz çalışırken ve durduktan hemen sonra, çıplak elle dokunmayınız.**  
- Çalışırken ve durduktan hemen sonra soğutucu boruları Soğutucu boruları, soğutucunun soğutucu borularında, kompresöre ve diğer soğutucu devre parçalarındaki durumuna göre sıcak bazen de soğuk olabilir. Soğutucu borusuna dokunursanız elleriniz yanabilir veya donabilir.
- **Klimayı panel ve mahfazalar çıkarılmış olarak çalıştırmayın.**  
- Dönen, sıcak veya yüksek voltajlı parçalar yaralanmalara yol açabilir.
- **Cihazın çalışmasını durdurduktan hemen sonra ana elektrik şalterini kapatmayınız.**  
- Ana elektrik şalterini kapatmadan önce muhakkak en az beş dakika bekleyiniz. Aksi takdirde su sızması olabilir veya cihaz arızalanabilir.
- **Bakım yaparken kompresörün yüzeyine çıplak elle dokunmayınız.**  
- Eğer ünite güç kaynağına bağlanmışsa ve çalışmıyorsa, kompresördeki karter ısıtıcısı çalışır.



## 4. Kaldırma yöntemi

[Fig. 4.0.1] (P.2)

### ⚠ Dikkat:

Ürünü taşıırken dikkatli olun.

- 20 kg'den ağırsa ürünü tek bir kişiye taşımayın.
- Bazı ürünlerin ambalajında PP bantları kullanılmıştır. Bunları taşıma aracı olarak kullanmayın; tehlikelidir.
- Plastik ambalaj torbalarını yırtın ve elden çıkararak çocukların bunlarla oynamasını önleyin. Aksi takdirde, plastik ambalaj torbaları çocukların boğulmasına neden olabilir.
- Isı kaynağı ünitesini veya diğerlerini gözlü civata ile taşıırken dört noktadan destek verin. Eğer üç veya daha az noktadan desteklenirse, dengesiz olup düşebilir.

## 5. Ünitenin montajı ve bakım çalışma alanı

### 5.1. Montaj

- Aşağıda gösterilen sabitleme deliklerini kullanarak üniteyi tabana sıkıca vidalayın.

[Fig. 5.1.1] (P.2)

- Ⓐ Isı kaynağı ünitesi
- Ⓑ 4 adet ø14 (Sabitleme deliği)
- Ⓒ (Üstten görünüş)

#### Kaide ve vibrasyon kesici

- Ünitenin ağırlığını taşıyabilecek güçte bir yere monte ettiğinizden emin olun. Eğer kaide dengesiz ise beton kaide ile güçlendirin.
- Ünite eğimsiz bir yüzeye sabitlenmelidir. Montajdan sonra düz olup olmadığını tekrar kontrol edin.
- Ünitenin kaidesine vibrasyon kesici tampon yerleştirilmelidir.
- Eğer ünite gürültünün sorun olabileceği bir odanın yakınına monte ediliyorsa, ünitenin kaidesinde vibrasyon kesici tampon kullanılması tavsiye olunur.

[Fig. 5.1.2] (P.2)

- Ⓓ Vibrasyon kesici tampon
- Ⓔ Beton temel

### ⚠ Uyarı:

- Ünitenin ağırlığını kaldırabilecek sağlamlıkta bir yere monte edilmesini sağlayın. Eğer yeterli sağlamlıkta değilse, ünitenin düşmesine yol açarak yaralanmalara neden olabilir.
- Deprem olasılığına karşı korumak için gerekli montaj düzenlemelerini yapın. Montajın herhangi bir şekilde yetersiz olması ünitenin düşmesine ve yaralanmalara Yol açabilir.

### 5.2. Servis alanı

- Lütfen montajdan sonra aşağıdaki servis alanlarının kalmasına dikkat edin. (Tüm bakım çalışmaları ünitenin önünden yapılabilir.)

[Fig. 5.2.1] (P.2)

- Ⓐ Boru yeri (sol taraftan boru girişi)
- Ⓑ Isı kaynağı ünitesi
- Ⓒ Servis alanı (ön taraftan boru girişi)
- Ⓓ (Üstten görünüş)

[Fig. 5.2.2] (P.2)

- Ⓔ Boru yeri (üst taraftan boru girişi)
- Ⓕ Boru yeri (sol taraftan boru girişi)
- Ⓒ Isı kaynağı ünitesi
- Ⓖ (Önden görünüş)

## 6 Su borularının montajı

- City Multi WR2 serisinin boruları diğer klima borularına benzerse de, lütfen aşağıdaki uyarıları dikkate alarak monte edin.

### 6.1. Montaj sırasında dikkat edilecek hususlar

- Her bir üniteye uygun boru dayanıklılığı sağlamak için ters dönüş metodunu kullanın.
- Ünitenin bakım, muayene ve değiştirilmesinde kolaylık sağlamak için su girişi ve çıkışlarında uygun bağlantı, valf vb kullanın. Buna ek olarak su giriş borusuna bir süzgeç takın. (Isı kaynağı ünitesinin bakımı açısından sirküle edilen su girişine süzgeç takmak gerekmektedir.)  
\* Isı kaynağı ünitesinin montaj örneği aşağıdaki şemada gösterilmiştir.
- Su borusunun üstüne uygun hava çıkışı monte edin. Su borusuna su verdiğinizde hava borusunda kalan fazla havanın çıkmasını sağlayın.
- Isı kaynağı ünitesinin düşük ısı kısmında basınçlı su oluşabilir. Ünitenin altında suyu boşaltmak için boşaltma valfine bağlı olarak boşaltma borusu kullanın.
- Ünitenin ortasında, ısı değişimi için su girişinin başında, merkezde, su deliği tipası bulunmaktadır. Bunu bakım vs. için kullanın. Ayrıca, ünitenin herhangi bir elektrikli aksamının (solenoid valf sargısı veya kompresör güç kaynağı gibi) ıslanmasına izin vermeyin.
- Pompaya geri dönüşü engelleyici valf monte edin ve fazla vibrasyondan korumak için esnek mafsallı ekleyin.
- Duvar içinden geçen boruları korumak için bilezik kullanın.
- Boruların emniyeti açısından metal aksamla monte edin. Böylece kırılma ve bükülmelere karşı en iyi korunma sağlanacaktır.
- Su girişi ve çıkış valflerini karıştırmayın.
- Bu birim borularında donmayı önleyecek her hangi bir ısıtıcı ile donatılmamıştır. Düşük çevre ısıları ortamlarda su akışı durdurulduğu zaman, borulardaki suyu boşaltın.
- Kullanılmayan delik yerleri kapatılmalı ve soğutucu borularının, su borularının, elektrik ve iletim kablolarının açık kısımları yağmura karşı koruma amacıyla macun vb. ile doldurulmalıdır (montaj yerinde yapılır).

### Isı kaynağı ünitesinin montaj örneği (Soldan boru girişi)

[Fig. 6.1.1] (P.2)

- Ⓐ Su sirkülasyon borusu
- Ⓑ Kapalı valf
- Ⓒ Kapalı valf
- Ⓓ Su çıkışı
- Ⓔ Soğutucu borular
- Ⓕ Tek çatal bağlama ağızlığı
- Ⓖ Su girişi
- Ⓖ Drenaj borusu

### 6.2. İzolasyonun Montajı

City Multi WR2 Serisi borularda sirküle edilen su sıcaklığı yıl boyunca ortalama sıcaklıkta (Yazın 30°C, kışın 20°C) tutulabilirse bina içinde izolasyona ve korumaya gerek yoktur. Aşağıdaki durumlarda izolasyon gerekmektedir:

- Bina dışı boruları.
- Boruların donma problemi olan soğuk hava bölgelerinde bina içi boruları.
- Dışarıdan gelen hava yüzünden kondansasyona maruz kalan borular.
- Tüm drenaj boruları.

### 6.3. Su işleme ve kalite kontrolü

Su kalitesini muhafaza etmek istiyorsanız, WR2 için kapalı tipte soğutucu kulesi kullanın. Sirküle edilen suyun kalitesi kötü ise, su ısı eşanjöründe kışır oluşur. Bu da ısı eşanjörünün güçten düşmesine ve korozyona maruz kalmasına yol açar. Su sirkülasyon sistemini monte ederken, lütfen su işlemlerine ve kalite kontrolüne gereken dikkati gösterin.

- Borulardaki yabancı madde ve kirin temizlenmesi. Montaj sırasında, kaynak parçaları, macun parçacıkları, pas gibi yabancı maddelerin borulara girmemesine özen gösterin.
- Su kalite işlemi  
① Klimada kullanılan soğuk suyun kalitesine bağlı olarak, ısı eşanjörlerinin bakım borularında korozyon olabilir. Düzenli su kalite işlemlerini öneririz. Açık ısıtıcı tanklarda sirküle edilerek soğutulan su, korozyon yaratabilecek tipte sudur.

② Su kalitesi standardı

Maddeler		Standard values
Standart maddeler	PH (25°C)	7,0 ~ 8,0
	Elektrik iletkenliği (25°C) ( $\mu$ s/cm)	300 veya daha az
	Klor iyonu Cl <sup>-</sup> (mg/l)	50 veya daha az
	Sülfat iyonu SO <sub>4</sub> <sup>2-</sup> (mg/l)	50 veya daha az
	M-alkalilik CaCO <sub>3</sub> (mg/l)	50 veya daha az
	Toplam sertlik CaCO <sub>3</sub> (mg/l)	70 veya daha az
	Demir Fe (mg/l)	1,0 veya daha az
Referans maddeleri Not. 2	Kükürt iyonu S <sup>2-</sup> (mg/l)	Algılanamaz
	Amonyak iyonu NH <sub>4</sub> <sup>+</sup> (mg/l)	Algılanamaz
	Silisyum dioksit SiO <sub>2</sub> (mg/l)	30 veya daha az

Not. 2 Referans maddelerinin mevcudiyetinin tehlikeli olduğu açık bir şekilde saptanmış olmakla beraber içerik miktarı ile tehlike arasındaki ilişki henüz açıklığa kavuşturulmamıştır. Dolayısıyla bunlar referans maddeleri olarak listeye alınmıştır.

③ Su kalite işlemi için korozyonu önleyici solüsyonları kullanmadan önce lütfen su kalite kontrolü ve hesapları konusunda yetkili bir uzmana danışın.

④ Daha önce monte edilmiş klima cihazını değiştirirken (Sadece ısı eşanjörü takılmış olsa bile), lütfen önce su kalite analizi yapın ve olası korozyonu kontrol edin.

Soğuk su sistemlerinde herhangi bir belirti göstermese bile korozyon olabilir. Eğer su kalitesi düşmüşse, üniteyi değiştirmeden önce su kalitesini yeterli derecede düzeltin.

## 6.4. Pompa interlok bağlantısı

Isı kaynağı ünitesi, borularda su dolaşımı yokken çalıştırılırsa zarar görebilir. Su sirkülasyon pompası ve ünitenin interloklu çalışmasına dikkat edin. Ünitenin üstünde bulunan (TB8-3,4) terminal bloklarını interlok için kullanın. TB8-3,4'e bağlı olan pompa interlok devresi sinyal veriyorsa kısa devre kablosunu çıkarın. Aynı zamanda yanlışlıkla hata sinyali vermesini ve bunun yol açacağı kötü bağlantıyı engellemek için, 63PW'lik basınçlı valfta 5mA veya daha düşük akım kullanın.

[Fig. 6.4.1] (P.2)

- Ⓐ Kısa devre kablosu (Üretici tarafından sevk edilmeden önce bağlanmıştır.)
- Ⓑ Pompa interlok devre bağlantısı

## 7. Soğutucu borusunun montajı

City Multi WR2 Serisi, dış üniteden gelen soğutucu tesisatının BC kontrol biriminde kollara ayrılır her iç üniteye bağlandığı bir sondan şube sisteminden oluşur. Benimsenen bağlantı yöntemi, düşük basınçlı borular için flanşlı bağlantı, dış üniteyle BC kontrol birimi arasındaki yüksek basınçlı boru için geçme bağlantı ve BC kontrol birimiyle iç ünite arasında da geçme bağlantıdır. Ortak boru kiti ve şube boru kiti için ise piring kaynaklı bağlantı uygulanır.

### ⚠ Uyarı:

**Ateş veya alev kullanırken soğutucu gazı (R407C) kaçağı olmamasına dikkat edin. Soğutucu gazı, gazla çalışan bir fırın gibi herhangi bir kaynaktan alevle temas ederse, çözümler ve zararlı gazların oluşması nedeniyle gaz zehirlenmesine yol açabilir. Kapalı ve/veya havalandırılmayan bir mekanda asla lehim veya kaynak yapmayın. Ayrıca, soğutucu borusu sisteminin montajını tamamladıktan sonra daima gaz kaçağı testi yapın.**

### 7.1. Dikkat

- ① Soğutucu boruları için daima aşağıdaki malzemeleri kullanın:
  - Malzeme: Fosforlu, oksijeni alınmış bakırdan yapılmış soğutucu boruları kullanın. Ayrıca, borunun iç ve dış yüzeylerini zararlı sülfür, oksitler, kir/toz, talaş, yağlar, nem ve diğer kirlenici maddelerden koruyun ve temiz tutun. (R407C modelleri için)
- ② Piyasada satılan borular genellikle toz ve diğer yabancı maddeleri içerir. Daima kuru bir atıl gazla bunları üfleyp atın.
- ③ Montaj sırasında toz, su ve diğer kirlenici maddelerin borulara girmesini önlemeye dikkat edin.
- ④ Boruları bükerken büküm yarıçapının elden geldiğince büyük olmasını ve büküm porsiyonlarının en düşük sayıda olmasını sağlayın.
- ⑤ Soğutucu borularına ilişkin (öngörülen uzunluk, yüksek/alçak basınç farkı ve boru çapı gibi) sınırlamalara daima uyun. Bunlara uymamak donanımın arızalanmasına veya ısıtma/soğutma performansının düşmesine yol açabilir.
- ⑥ City Multi WR2 Serisi cihazlar, fazla veya eksik soğutucudan kaynaklanan anormal durumlarda daima stop ederler. Böyle zamanlarda üniteye daima uygun miktarda soğutucu koyun. Servis yaptığınızda boru uzunluğu ve her iki noktadaki ek soğutucu miktarıyla ilgili notlara, servis panelinin arkasındaki soğutucu hacmi hesap tablosuna ve etiketlerin üzerindeki toplam iç ünite sayısı ile ilgili bölüme daima bakın.
- ⑦ **Sistemi doldurmak için sıvı soğutucu kullanın.**
- ⑧ Tesisatın havasını almak için asla soğutucu kullanmayın. Daima bir vakum pompasıyla boşaltın.
- ⑨ Boruları daima gerekli biçimde izole edin. Yeterli izolasyon yapılmaması ısıtma/soğutma performansının düşmesine, kondansasyon nedeniyle su damlamasına ve diğer benzer sorunlara yol açar.
- ⑩ Soğutucu borularının bağlantısını yaparken, ısı kaynağı ünitesinin toplu vanasının tamamen kapatılmış olduğundan emin olun (fabrika ayarı) ve ısı kaynağı ile iç ünitelerin soğutucu boruları bağlanıp soğutucu kaçak testi yapılmadan ve boşaltma süreci tamamlanmadan önce çalıştırmayın.

⑪ Parçalara piring kaynağı yaparken daima oksitlenmeyen piring kaynağı malzemesi kullanın. Oksitlenmeyen piring kaynağı malzemesi kullanılmazsa, tıkanmaya yol açabilir ve kompresör ünitesine zarar verebilir.

⑫ **Dış ünite boru bağlantı çalışmasını yağmur yağarken kesinlikle yapmayın.**

### ⚠ Uyarı:

**Üniteyi monte ederken veya nakliye sırasında, ünite üzerinde belirtilen soğutucudan başka bir soğutucu doldurmayın.**

- Farklı bir soğutucu, hava vs. karıştırıldığı takdirde dondurucu devresinde arıza çıkabilir ve bu hasara yol açabilir.

### ⚠ Dikkat:

- **Ters akıntı kontrol vanası olan bir vakum pompa kullanın. (R407C modelleri için)**
  - Eğer vakum pompa ters akıntı kontrol vanasızsa, vakum pompa yağı soğutucu devresine girebilir ve soğutucu yağının bozulmasına ve diğer arızalara neden olabilir.
- **Geleneksel soğutucularda kullanılan aşağıdaki aletleri kullanmayın. (R407C modelleri için)**

**(Ölçme manifoldu, şarz hortumu, gaz kaçağı detektörü, kontrol vanası, soğutucu şarz kaidesi, vakum ölçer, soğutucu canlandırma donanımı)**

  - Geleneksel soğutucu ve soğutucu yağ ile karışırsa, soğutucu yağ bozulabilir.
  - Su karışırsa soğutucu yağ bozulabilir.
  - R407C klorin içermediği için, geleneksel soğutucu gaz kaçağı detektörleri ona karşı reaksiyon göstermez.
- **Aletleri kullanırken özellikle dikkatli olun. (R407C modelleri için)**
  - Toz, pislik ve su soğutucu devresine girerse, soğutucu yağı bozulabilir.
- **Hiçbir zaman varolan soğutucu borularını kullanmayın. (R407C modelleri için)**
  - Geleneksel soğutuculardaki aşırı miktardaki klorin ve varolan borulardaki soğutucu yağı, yeni soğutucunun bozulmasına neden olacaktır.
- **Montajda kullanılacak boruları içerde depolayınız ve kaynaklaya kadar boruların iki ağzını kapalı tutunuz. (R407C modelleri için)**
  - Toz, pislik veya su soğutucu devresine girerse, soğutucu yağının bozulmasına ve kompresör arızalarına yol açabilir.
- **Şarz silindiri kullanmayın. (R407C modelleri için)**
  - Şarz silindirini kullanmak soğutucunun bozulmasına yol açabilir.
- **Boruları yıkamak için özel deterjanlar kullanmayın.**

## 7.2. Soğutucu boru sistemi

Bağlantı örnekleri

[Fig. 7.2.1] (P.3)

- |  |                     |
|--|---------------------|
| Ⓐ Yüksek bas. boru                         | Ⓑ Alçak bas. boru   |
| Ⓒ Isı kaynağı/BC kontrol birimi bağlantısı |                     |
| Ⓓ İç ünitelerin toplam kapasitesi          | Ⓔ Sıvı Borusu       |
| Ⓔ Gaz Borusu                               | Ⓕ Model numarası    |
| Ⓐ BC kontrol birimi                        | Ⓑ İç Ünite (20-140) |
| Ⓒ İç Ünite (200, 250)                      |                     |



Hava geçirmezlik prosedürü	Sınırlama
<p>1. Azot gazı ile basınç uygulama</p> <p>(1) Azot gazı kullanarak tasarlanmış basınç (2,94 MPa) uyguladıktan sonra, bir gün bekleyin. Basınç düşmezse, hava geçirmezliğin iyi olduğunu gösterir. Ancak, basınç düşerse, kaçığın yeri bilinmediğinden, aşağıdaki köpük testi gerçekleştirilebilir.</p> <p>(2) Yukardaki basınç uygulaması yapıldıktan sonra, bir köpük maddesi (Kyuboflex vs..) ile, geçmeli bağlantıları, piring kaynaklı aksamları, flanşları ve kaçık olabilecek diğer aksamları spreyleyin ve köpükleri bakarak izleyin.</p> <p>(3) Hava geçirmezlik testinden sonra köpük maddesini siliniz.</p>	<ul style="list-style-type: none"> <li>Basınç uygulama gazı olarak, yanıcı gaz veya hava (oksijen) kullanılırsa, yanabilir veya patlayabilir.</li> </ul>
<p>2. Azot gazı ve soğutucu gaz ile basınç uygulama</p> <p>(1) Yaklaşık 0,2 MPa'lık bir gaz basıncını uygularken, azot gazı kullanarak tasarlanmış basınç (2,94 MPa) uygulayın. Ancak bir seferde basınç uygulamayın. Basınç uygularken durun ve basıncın düşmediğini kontrol edin.</p> <p>(2) R407C uyumlu gaz kaçağı detektörleri kullanarak, geçmeli bağlantıları, piring kaynaklı aksamları, flanşları ve kaçık olabilecek diğer aksamları gaz kaçağı için kontrol edin.</p> <p>(3) Bu test köpük tipi gaz kaçağı testi ile birlikte uygulanabilir.</p>	<ul style="list-style-type: none"> <li>Ünitede gösterilenden başka soğutucu kullanmayın.</li> <li>Bir devredeki gaz ile contalamak devredeki soğutucunun bileşiminin değişmesine neden olacaktır. (R407C modelleri için)</li> <li>R407C için özel olan basınç ölçer, şarj kutusu ve diğer aksamları kullanın. (R407C modelleri için)</li> <li>R22 için olan elektrikli kaçık detektörü R407C kaçıklarını tespit edemez.</li> <li>Haloid fener kullanmayınız. (Kaçıkları tesbit edemez.)</li> </ul>

## ② Boşaltma

Boşaltma işlemini ısı kaynağı ünitesinin toplu vanası kapalı durumdayken yapın ve hem bağlantı borusunu hem de iç üniteyi bir vakum pompası kullanarak ısı kaynağı ünitesinin toplu vanası üzerindeki servis deliğinden boşaltın. (Yüksek basınç borusu ve düşük basınç borusunun servis noktalarındaki basıncı daima tahliye edin.) Vakum 650 Pa [abs] geldiğinde, boşaltmaya bir saat veya daha fazla devam edin.

\* Hava arındırmak için hiçbir zaman soğutucu kullanmayın.

### [Fig. 8.3.2] (P.3)

- |                        |                       |                        |
|------------------------|-----------------------|------------------------|
| Ⓐ Sistem analiz cihazı | Ⓑ Lo düğmesi          | Ⓒ Hi düğmesi           |
| Ⓓ Toplu vana           | Ⓔ Alçak basınçlı boru | Ⓕ Yüksek basınçlı boru |
| Ⓖ Servis deliği        | Ⓖ 3 yollu conta       | Ⓖ Vana                 |
| Ⓙ Vana                 | Ⓚ Silindiri           | Ⓛ Terazı               |
| Ⓜ Vakum (emme) pompası |                       |                        |

### Not:

- Uygun miktarda soğutucu eklemeye dikkat edin. Ayrıca her zaman sistemi sıvı soğutucuyla contalayın. Soğutucunun çok fazla veya çok az olması soruna yol açar.
- Bir manifold ölçer, şarj hortumu ve ünitede soğutucu için belirtilen diğer aksamları kullanın.
- Bir gravimetre kullanın. (0,1 kg kadar düşük ölçüm yapılabilen hassas bir gravimetre.)
- Ters akıntı kontrollü vanalı bir vakum pompası kullanın. (R407C modelleri için)
- (Tavsiye edilen vakum ölçer: ROBINAIR 14830A Thermistor Vakum Ölçer) Ayrıca, 0,5 Toor'a ulaşacak veya beş dakika işletildikten sonra daha fazla hasarıyla bir vakum ölçer kullanın.

## ③ Soğutucu doldurulması (R407C modelleri için)

Ünite ile kullanılan soğutucu azetroptik olduğu için, sıvı durumunda doldurulmalıdır. Sırasıyla, üniteyi bir silindirden soğutucuyla dolduruyorsanız, silindirin sifon borusu yoksa, sıvı soğutucuyu aşağıda gösterildiği gibi başaşağı döndürerek doldurun. Sağdaki şekilde gösterildiği gibi silindirin bir sifon borusu, sıvı soğutucu silindir dik durarak doldurulur. Dolayısıyla, silindir spesifikasyonlarına dikkat edin. Şayet ünite gaz soğutucu ile doldurulacaksa, tüm soğutucuyu yeni soğutucuyla doldurun. Silindirde kalan soğutucuyu tekrar kullanmayın.

### [Fig. 8.3.3] (P.3)

## 8.4. Soğutucu Tesisatının Isı İzolasyonu

Sıvı borularını ve gaz borularını yeterli kalınlıkta sıcaklık geçirmez polietilenle ayrı ayrı sarmak suretiyle soğutucu borularını izole edin ve bunu yaparken iç ünite ile izolasyon malzemesi ve izolasyon malzemelerinin kendileri arasında boşluk kalmamasına dikkat edin. İzolasyon yeterli biçimde yapılmazsa, kondansasyon sonucu damlama, vb. olasılığı doğar. Tavan donanımının izolasyon işlerine özellikle dikkat edin.

### [Fig. 8.4.1] (P.4)

- |                                    |                         |
|------------------------------------|-------------------------|
| Ⓐ Çelik tel                        | Ⓑ Boru                  |
| Ⓒ Katranlı yağlı macun veya katran | Ⓓ İzolasyon malzemesi A |
| Ⓔ Dış kat B                        |                         |

İzolasyon malzemesi A	Cam elyafı + Çelik tel	
	Yapıştırıcı + Isıya dayanıklı polietilen köpük + Yapıştırıcı bant	
Dış kat B	İç	Vinil bant
	Taban açık	Su geçirmez kenevir bez + Bronz asfalt
	Dış	Su geçirmez kenevir bez + Çinko saç + Yağlı boya

### Not:

- Örtü malzemesi olarak polietilen örtü kullanırsanız çatı asfaltlama işlemi gerekli olmaz.
- Elektrik teller için ısı izolasyonu sağlanmamalıdır.

### [Fig. 8.4.2] (P.4)

- |                        |                       |                    |
|------------------------|-----------------------|--------------------|
| Ⓐ Yüksek basınçlı boru | Ⓑ Alçak basınçlı boru | Ⓒ Elektrik kablosu |
| Ⓓ Apre bandı           | Ⓔ Yalıtıcı            |                    |

### [Fig. 8.4.3] (P.4)

## Penetrasyonlar

### [Fig. 8.4.4] (P.4)

- |  |                           |                      |
|--|---------------------------|----------------------|
| <A> İç duvar (gizlenmiş)                           | <B> Dış duvar             |                      |
| <C> Dış duvar (açıkta)                             | <D> Taban (ateş geçirmez) |                      |
| <E> Çatı borusu kanalı                             |                           |                      |
| <F> Yangın durdurucu ve ayırıcı duvarı delen kısım |                           |                      |
| Ⓐ Manşon   | Ⓑ İzolasyon malzemesi     | Ⓒ Kaplama malzemesi  |
| Ⓓ Kalafat malzemesi                                | Ⓔ Bant                    | Ⓕ Su geçirmez katman |
| Ⓖ Kenarlı manşon                                   | Ⓖ Kalafat malzemesi       |                      |
| Ⓗ Harç gibi yanmaz maddeyle kalafat                |                           |                      |
| Ⓙ Yanmaz izolasyon malzemesi                       |                           |                      |

Bir boşluğu harçla dolduracağınız zaman izolasyon malzemesinin çökmemesi için penetrasyon bölümünü çelik sac ile örtün. Bu kısım için hem izolasyon hem de örtü amacıyla yanmaz malzemeler kullanın. (Vinil örtü kullanılmamalıdır.)

## 9. Elektrik Tesisatı

### 9.1. Dikkat

- Elektrik donanımıyla ilgili resmi kuruluşunuzun teknik standartlar konusundaki talimatlarına, tesisat yönetmeliklerine ve her elektrik kuruluşu tarafından sağlanan kılavuz ilkelere uygun olarak hareket edin.
- Elektrik kablolarından kaynaklanan parazitten etkilenmemeleri için kumanda kabloları (bundan böyle iletim kablosu denecektir) ile güç kaynağı kabloları arasında (5 cm veya daha fazla) mesafe bulunmalıdır. (İletim kablolarıyla elektrik kablolarını aynı kablo borusundan geçirmeyin.)
- Isı kaynağı ünitesine gerekli topraklamayı sağladığınızdan emin olun.
- İç ve dış ünitelerin elektrik aksam kutusu zaman zaman servis işleri sırasında yerinden çıkarılacağından kutunun kablo bağlantılarında bunu dikkate alın.

- Ana güç kaynağını asla iletim hattının terminal bloğuna bağlamayın. Bağlanırsa elektrik aksamı yanar.
- İletim kabloları için iki göbekli blendajlı kablo kullanın. Eğer farklı sistemlerin iletim kablolarının bağlantıları aynı çok göbekli kabloyla yapılırsa, bundan kaynaklanan kötü gönderme ve alma özellikleri hatalı çalışmaya yol açar.
- Isı kaynağı iletim terminal bloğuna sadece belirtilen nitelikte iletim hattı bağlanmalıdır. (İç üniteye bağlanacak iletim kablosu: İletim hattı içi TB3 terminal bloğu; diğerleri: Merkezi kontrol için TB7 terminal bloğu) Yanlış bağlantı halinde sistem çalışmaz.
- Üst sınıf kontrol birimi ile bağlantı yapıldığı veya farklı soğutucu sisteminde grup çalışması yapıldığı zaman, ısı kaynağı üniteleri arasında karşılıklı iletim için kontrol hattı gereklidir.

Bu kumanda hattını merkezi kontrol terminal bloklarına bağlayın. (Polaritesiz iki telli hat)

Üst sınıf kontrol birimi bağlamaksızın farklı soğutucu sisteminde grup çalışması yapıldığı zaman, bir dış ünitenin CN41'inden gelen kısa devre konektörünün bağlantısını CN40'e değiştirin.

- ⑨ Grup, uzaktan kumanda ünitesiyle düzenlenir.
- ⑩ Kullanılmayan delik yerleri kapatılmalı ve soğutucu borularının, su borularının, elektrik ve iletim kablolarının açık kısımları yağmura karşı koruma amacıyla macun vb. ile doldurulmalıdır (montaj yerinde yapılır).

## 9.2. Kumanda kutusu ve kablo bağlantı konumu

1. İç ünite iletim hattını iletim terminal bloğuna (TB3) bağlayın veya ısı kaynağı üniteleri arasındaki kabloyu ya da merkezi kontrol sistemiyle bağlantı kablosunu merkezi kontrol terminal bloğuna (TB7) bağlayın. Blendajlı kablo kullanıldığında, iç ünite iletim hattının blendaj toprağını toprak vidasına (⊕) bağlayın ve ısı kaynağı üniteleri arasındaki hattın ve merkezi kontrol sistemi iletim hattının blendajlı toprağını, merkezi kontrol terminal bloğunun (TB7) blendaj (S) terminaline bağlayın. Ayrıca, CN41 güç sağlayıcı konektörün CN40 ile değiştirildiği ısı kaynağı ünitelerinde, merkezi kontrol sisteminin terminal bloğunun (TB7) blendaj terminali (S) de toprağa (⊕) bağlanmalıdır.

[Fig. 9.2.1] (P.4)

- Ⓐ Güç kaynağı
- Ⓔ İletim hattı

2. Kablo borusu montaj levhaları (ø27) sağlanmıştır. Güç sağlayıcıyı ve iletim kablolarını uygun hazır deliklerden geçirin, sonra terminal kutusunun altındaki hazırlanmış delik parçasını açın.

## Çok Sayıda Dış Üniteli Grup Çalışması Sistemi Örneği (Blendajlı Kablo ve Adres Düzenlemesi Gereklidir.)

<İletim Kablosu Bağlantıları Örneği>

[Fig. 9.3.1] M-NET uzaktan kumanda ünitesi (P.4)

[Fig. 9.3.2] MA uzaktan kumanda ünitesi (P.4)

- Ⓐ Grup 1
- Ⓑ Grup 3
- Ⓒ Grup 5
- Ⓓ Blendajlı Kablo
- Ⓔ Tali Uzaktan Kumanda Ünitesi
- ( ) Adres

<Kablo Bağlantı Yöntemi ve Adres Düzenlemeleri>

- a. Isı kaynağı ünitesi (OC) ile iç ünite (IC), OC ile OC ve IC ile IC arasında bağlantı yaparken blendajlı kablo kullanmayı ihmal etmeyin.
  - b. Her ısı kaynağı ünitesinin (OC) iletim kablosu terminal bloğundaki (TB3) M1 ve M2 ve toprak terminallerini iç ünitenin (IC) iletim kablosu bloğundaki M1, M2 ve S terminallerine (⊕) bağlamak için besleme kablosu kullanın.
  - c. Aynı grup içinde en yeni adrese sahip olan iç ünitenin (IC) iletim kablosu terminal bloğundaki 1 (M1) ve 2 (M2) terminallerini ağ uzaktan kumanda ünitesindeki (RC) terminal bloğuna bağlayın.
  - d. Isı kaynağı ünitesi (OC) terminal bloğundaki (TB7) M1, M2 ve S terminallerini merkezi kontrol için bağlayın.
  - e. Isı kaynağı ünitelerinden sadece birinde, kumanda levhasındaki camper konektörünü CN41'den CN40'a değiştirin.
  - f. Camper konektörünün yukarıdaki işlemde CN40'a takılmış olduğu ısı kaynağı ünitesinin (OC) merkezi kontrol terminal bloğundaki (TB7) S terminalini elektrik paneli kutusundaki toprak terminaline (⊕) bağlayın.
  - g. Adres düzenlemesi anahtarını aşağıdaki biçimde düzenleyin.
- \* Isı kaynağı ünitesinin adresini 100 olarak ayarlamak için ısı kaynağı adres ayarı anahtarı 50 olarak ayarlanmalıdır.

Ünite	Değer	Düzenleme Yöntemi
IC (Ana)	01 - 50	Aynı iç ünite (IC) grubundaki en yeni adresi düzenleyin
IC (Tali)	01 - 50	Aynı iç ünite (IC) grubunda IC (Ana) dışındaki adresi düzenleyin. IC (Ana) sıra izlemelidir
Isı kaynağı ünitesi	51 - 100	Aynı soğutucu sistemindeki iç üniteler arasında en yeni adres + 50 düzenleyin
Şube kontrol birim	51 - 100	Isı kaynağı ünitesi adresi artı 1
M-NET R/C (Ana)	101 - 150	IC (Ana) adresi + 100 düzenleyin
M-NET R/C (Tali)	151 - 200	IC (Ana) adresi + 150 düzenleyin
MA R/C	-	Gereksiz adres ayarı (Gerekli main/sub (ana/alt) ayarı

- h. Elektrik gücünü açtıktan sonra çok sayıda iç üniteyi grup halinde uzaktan kumanda ünitesi (RC) ile düzenleyin. Daha fazla bilgi için uzaktan kumanda ünitesi montaj elkitabına bakın.

<Geçerli Uzunluk>

### ① M-NET Uzaktan Kumanda Ünitesi

- Isı kaynağı üniteleri üzerinden azami uzunluk:  $L_1+L_2+L_3+L_4$  ve  $L_1+L_2+L_3+L_5$  ve  $L_1+L_2+L_6+L_7 \leq 500$  m (1,25 mm<sup>2</sup> veya daha fazla)
- En uzun iletim kablosu uzunluğu:  $L_1$  ve  $L_3+L_4$  ve  $L_3+L_5$  ve  $L_6$  ve  $L_2+L_6$  ve  $L_7 \leq 200$  m (1,25 mm<sup>2</sup> veya daha fazla)
- Uzaktan kumanda ünitesi kablosu uzunluğu:  $\ell_1, \ell_2, \ell_3, \ell_4 \leq 10$  m (0,3 - 1,25 mm<sup>2</sup>)  
Eğer uzunluk 10 m fazlaysa, 1,25 mm<sup>2</sup> blendajlı kablo kullanın. Bu bölümün (L<sub>8</sub>) uzunluğu azami uzunluk ve toplam uzunluk hesaplarına dahil edilmelidir.

### ② MA Uzaktan Kumanda Ünitesi

- Dış üniteler üzerinden en fazla uzunluk (M-NET kablosu):  $L_1+L_2+L_3+L_4$  ve  $L_1+L_2+L_6+L_7 \leq 500$  m (1,25 mm<sup>2</sup> veya daha fazla)
- En uzun iletim kablosu uzunluğu (M-NET kablosu):  $L_1$  ve  $L_3+L_4$  ve  $L_6$  ve  $L_2+L_6$  ve  $L_7 \leq 200$  m (1,25 mm<sup>2</sup> veya daha fazla)
- Uzaktan kumanda ünitesi kablosu uzunluğu:  $m_1$  ve  $m_1+m_2+m_3$  ve  $m_1+m_2+m_3+m_4 \leq 200$  m (0,3 - 1,25 mm<sup>2</sup>)

3. Güç kaynağı kablosunu gerilme kuvveti sağlamak üzere tampon manşon kullanarak tespit edin (PG bağlantısı veya benzeri).

## 9.3. İletim kablosu bağlantılarının yapılması

### ① Kumanda kablosu türleri

1. İletim kablosu
  - İletim kablosu türü: CVVS veya CPEVS blendajlı kablo
  - Kablo çapı: 1,25 mm<sup>2</sup>'den fazla
  - İzin verilen en büyük kablo uzunluğu 200 m'den az.
2. Uzaktan kumanda kablosu

Uzaktan kumanda kablo türleri	İki göbekli kablo (blendajsız)
Kablo çapı	0,3 - 1,25 mm <sup>2</sup>
Görüşler	10 m'den daha uzunları için (1) nolu iletim kablosunun spesifikasyonları olanları kullanın.

### ② Kablo tesiatı örneği

- Kontrolör adı ve sembolü ve izin verilen kontrolör sayısı.

Adı	Sembol	İzin verilen kont. birimi sayısı
Isı kaynağı ünitesi kontrol birimi	OC	
BC kontrol birimi	BC	OC başına bir kontrol birimi
İç Ünite Kontrol Birimi	IC	OC başına 2-10 kontrol birimi
Uzaktan Kumanda Ünitesi	RC	Grup başına azami iki

## 9.4. Ana güç kaynağı kablo bağlantıları ve donanım kapasitesi

Kablo bağlantılarını gösteren şema (Örnek)

[Fig. 9.4.1] (P.4)

- Ⓐ Kablo kesici (toprak kaçacağı devre kesicisi)      Ⓑ Isı kaynağı ünitesi      Ⓒ BC kontrol birimi  
Ⓓ Saptırma kutusu      Ⓔ İç Ünite      Ⓕ Akım Kaçakları için şalterler

Ana Güç Kaynağı Kablo Kalınlığı ve Açık/Kapalı Kapasiteleri

Model		Asgari Kablo Kalınlığı (mm <sup>2</sup> )			Anahtar (A)		Kablo için kesici (NFB)	Akım Kaçacağı için Kesici
		Ana Kablo	Şube	Toprak	Kapasite	Sigorta		
Isı kaynağı ünitesi	P200	4,0	–	4,0	32	32	40 A	30 A 100 mA 0,1 san. veya daha az
	P250	6,0	–	6,0	40	40	40 A	40 A 100 mA 0,1 san. veya daha az
BC kontrol birimi		1,5	1,5	1,5	16	16	20 A	20 A 30 mA 0,1 san. veya daha az
İç Ünite								

1. Isı kaynağı ünitesi ve iç ünite için ayrı güç kaynağı kullanın.
2. Kabloları döşemeye ve bağlantıları yapmaya başlarken çevre koşullarını (çevre sıcaklığı, direkt güneş ışığı, yağmur suyu, vb.) dikkate alın.
3. Kablo kalınlığı rakamları, metal kablo borusuyla döşeme için asgari değerdir. Elektrik kordonunun kalınlığı, voltaj düşmeleri dikkate alınarak 1 mertebe daha kalın olmalıdır. Güç kaynağının voltajının %10'dan fazla düşmemesini sağlayınız.
4. Kablo tesisatıyla ilgili hususlarda bölgenin tesisat yönetmeliklerine uyulmalıdır.
5. Teçhizatın açık havada kullanılacak kısımlarının elektrik kabloları polikloropren kılıflı esnek kablodan hafif olmalıdır (245 IEC57 tasarımı). Örneğin, YZW türünden kablo kullanınız.
6. Her kutbu arasındaki kontak aralığı en az 3 mm olan bir anahtar Klima montajı tarafından sağlanacaktır.

### ⚠ Uyarı:

- Terminal bağlantılarına dışardan güç uygulanmaması için belirtilen kabloları kullanmayı ihmal etmeyin. Bağlantıların sıkıca yapılmaması ısınma ve yangına yol açabilir.
- Uygun tipte fazla akım koruma anahtarları kullanmayı ihmal etmeyin. Üretilen fazla akımın belli miktarda doğrudan akım içerebileceğine de dikkat edin.

### ⚠ Dikkat:

- Bazı montaj yerlerinde toprak kaçacağı devre kesici takılması gerekli olabilir. Toprak kesicisinin takılmaması halinde elektrik çarpması meydana gelebilir.
- Yalnızca doğru kapasitedeki devre kesici ve sigortaları kullanın. Fazla yüksek kapasiteli sigorta ve te ya da bakır tel kullanılması ünitenin arızalanmasına veya yangına yol açabilir.

## 10. İşletme testi

### 10.1. Aşağıdaki olaylar sorun (acil durum) ifade etmez

Olay	Uzaktan kumanda ünitesi göstergesi	Neden
İç ünite ve BC kontrol birimi zaman zaman soğutma/ısıtma değişimi sırasında ses yapıyor.	<b>Normal gösterge</b>	Bu, sadece bir seçme sesi olup sorun ifade etmez.
İç ünite soğutma (ısıtma) işlemini gerçekleştiriyor.	<b>"Soğutma (ısıtma)" çakıyor</b>	BC kontrolörünün aynı şubesine birden fazla (azami 3) iç ünite bağlandığında, başka bir iç ünite soğutma (ısıtma) çalışması yaparken ısıtma (soğutma) çalışması yapılamaz.
Otomatik vantilatör durmuyor.	<b>Normal gösterge</b>	Otomatik kanatçığın kontrol işletimi nedeniyle aşağıya doğru üfleme çalışmasının bir saat sürmesi halinde aşağı hava basma işlemi sırasında kanatçık otomatik olarak yatay hava basmaya geçebilir. Isıtma modunda buz giderme sırasında, sıcak ayarlama ve termostat OFF (KAPALI) durumda, kanatçık otomatik olarak yatay hava basmaya geçer.
Vantilatör ayarları ısıtma esnasında değişiyor.	<b>Normal gösterge</b>	Termostat OFF (KAPALI) konuma gelince son derece düşük hızda işletme başlar. Hafif hava zamanla veya termostat ON (AÇIK) konumundayken boru sıcaklığına göre otomatik olarak öngörülen değere geçer.
Isıtma işlemi esnasında vantilatör duruyor.	<b>Buz giderme gösterge</b>	Buz giderme işlemi sırasında vantilatör stop eder.
Çalışma durdurulduğu halde vantilatör durmuyor.	<b>Yanık değil</b>	Geri kalan ısıyı dışarı atmak için vantilatör cihaz durdurulduktan sonra bir dakika süreyle çalışmaya devam eder (yalnız ısıtma modunda)
SW başlatıldığı halde vantilatör ayarı yok.	<b>Isı hazır</b>	SW ON (AÇIK) konuma getirildikten sonra boru sıcaklığı 35 °C'ye düşüncüye kadar 5 dakika süreyle son derece düşük hızla çalışır, sonra son derece düşük hızla çalışma 2 dakika daha devam eder. Bundan sonra da belirlenen ayarda çalışır. (Sıcaklık ayarı kontrolü)
Isı kaynağı ünitesi, anahtarları açarak çalıştırılmaz.	<b>Normal gösterge</b>	Dış ünite soğutulurken, soğutucu dinlenirken, kompresör ısıtma işlemi en az 35 dakika gerçekleştirilir. Bu zaman içinde sadece vantilatör çalışır.
Genel güç kaynağı açıldığı zaman iç ünite uzaktan kumanda ünitesi kontrol birimi iki dakika "HO" göstergesi veriyor.	<b>"HO" çakıyor</b>	Sistem tahrik edilmektedir. "HO" kaybolduktan sonra uzaktan kumanda ünitesini tekrar çalıştırın.
Ünite durdurulduğu zaman drenaj pompası çalışmaya devam ediyor.	<b>İşık sönük</b>	Soğutma işleminden sonra cihaz stop edilirse ünite üç dakika süreyle drenaj pompasını çalıştırmaya devam eder ve sonra da durur.
Ünite durdurulduğu halde drenaj pompası çalışmaya devam ediyor.		Drenajla atılacak şeyler üretiliyorsa ünite, stop edilmiş olsa dahi, drenaj pompasını çalıştırmaya devam eder.



---

This product is designed and intended for use in the residential, commercial and light-industrial environment.

The product at hand is based on the following EU regulations:

- Low Voltage Directive 73/23/EEC
- Electromagnetic Compatibility Directive 89/336/EEC

Please be sure to put the contact address/telephone number on this manual before handing it to the customer.

 **mitsubishi electric corporation**