

SERVICE PARTS LIST FOR MITSUBISHI ELECTRIC PACKAGED AIR-CONDITIONERS

Series : PQHY-P•YGM-A

For use with the R410A

REVISED

June 2007

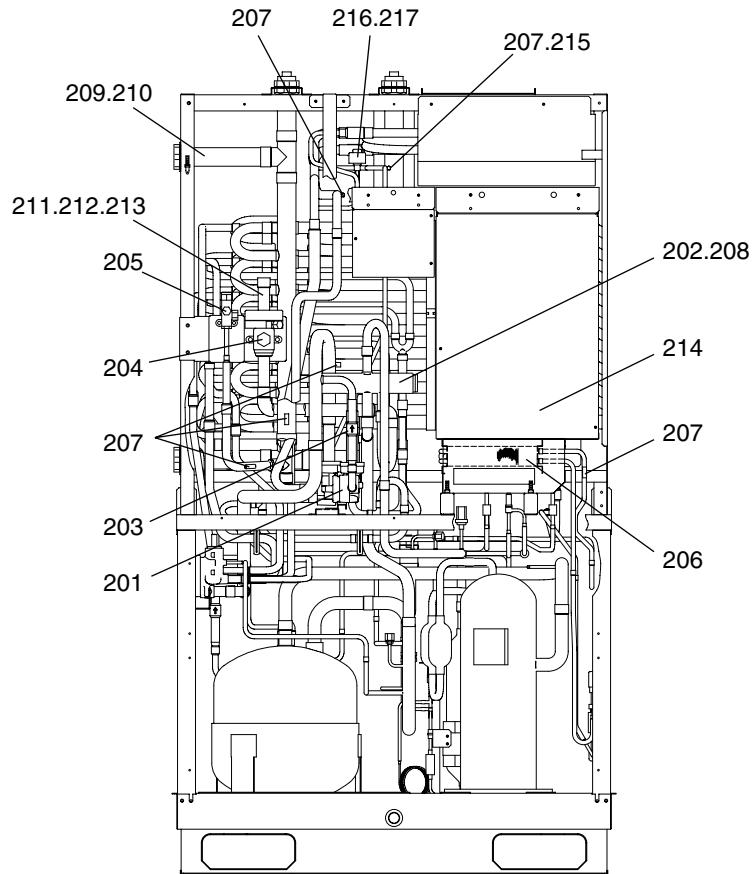
BWE0517B

INDEX

PQHY-P200YGM-A

PQHY-P250YGM-A

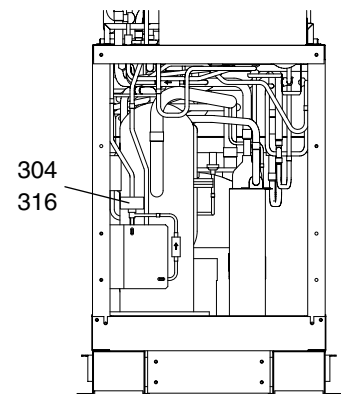
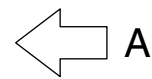
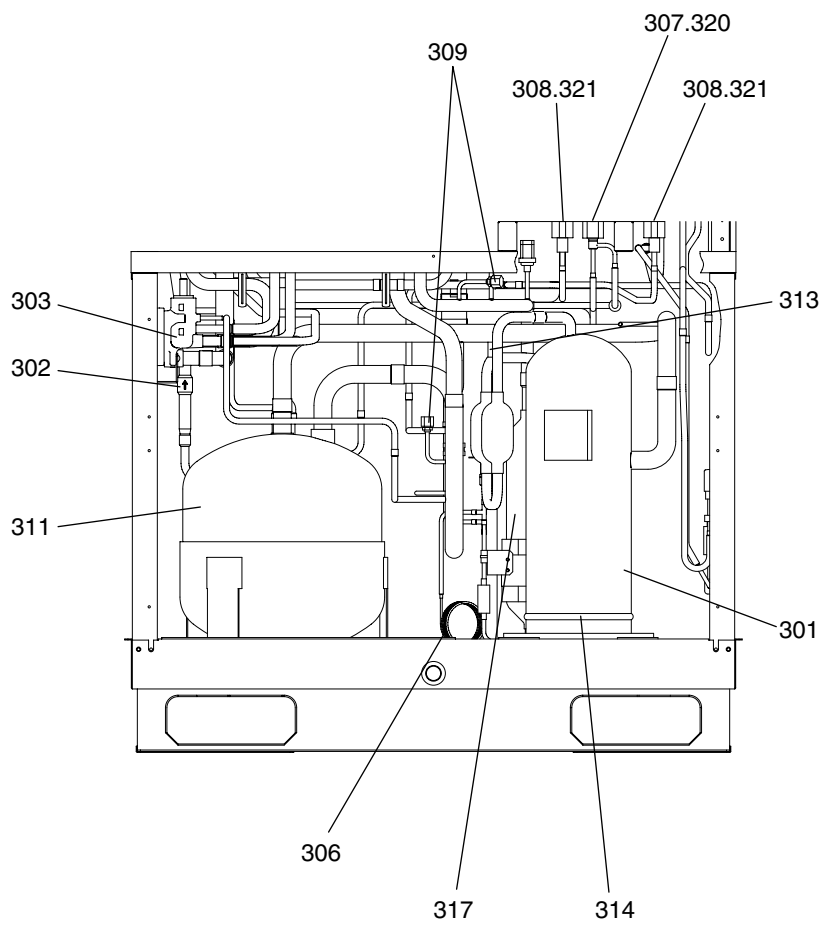
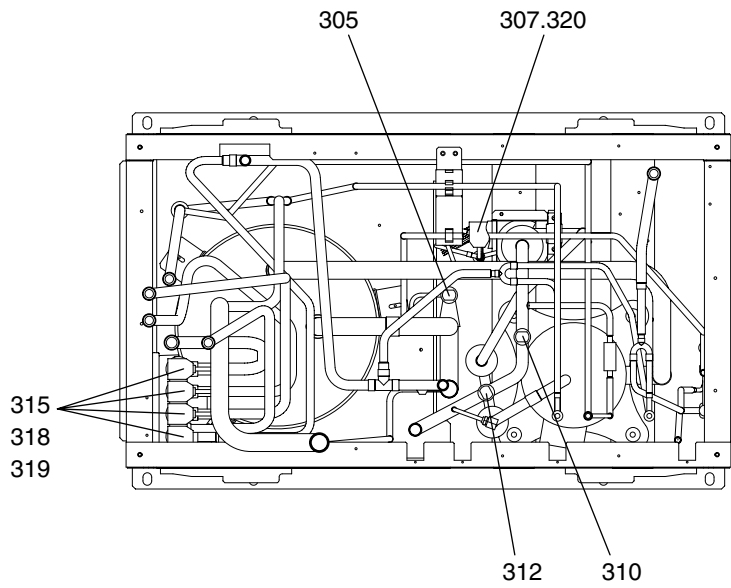




No.	Part No.	G : RoHS Apply Only W : RoHS Apply by Running Change		Spec.	PQHY-P200YGM-A	PQHY-P250YGM-A	Dwg. No.	Price	Revision History
			Part Name						
201	R63 9F5 418	G	Check valve block assy		1	1	W278607G01		B
202	R63 Y05 154	G	Four way valve	STF-07	1	1	P633119X01		B
203	R63 R43 418	G	Check valve		1	1	P639165X01		B
204	R63 R40 410	G	Ball valve		1	1	P636309X02		B
205	R63 R37 410	G	Ball valve		1	1	P636305X01		B
206	R63 4F3 480	G	Heat exchanger		1	1	W278600G02		B
207	R63 670 202	G	Thermistor	NTH3A14 <TH5--9,INV>	6	6	P425496X01		B
208	R63 Y16 243	G	Four way valve coil	<21S4a>	1	1	P472024X01		B
209	R63 0G9 480	G	Heat exchanger assy		1		W278616G05		B
210	R63 1G0 480	G	Heat exchanger assy			1	W278616G06		B
211	R63 0G9 441	G	Pipe assy		1		W663334G01		B
212	R63 9F2 441	G	Pipe assy			1	W663334G02		B
213	R61 F14 514	G	Packing		1	1	P321009X01		B
214	R63 Y48 305	G	Control box	WY-P250	1	1	W278127G01		B
215	R63 G03 287	G	Sensor cover	EVA(9.52D)	1	1	P227223X01		B
216	R63 R34 401	G	Linear expansion valve	CAM35	1	1	P632416X01		B
217	R63 R34 243	G	Solenoid valve coil	<LEV1>	1	1	P472008X02		B

PQHY-P200YGM-A
PQHY-P250YGM-A

FUNCTIONAL PARTS (2)



A

PQHY-P200YGM-A
 PQHY-P250YGM-A

CONTROL BOX PARTS

