

# **SERVICE PARTS LIST FOR MITSUBISHI ELECTRIC PACKAGED AIR-CONDITIONERS**

**Series PQHY-P·YGM-A**

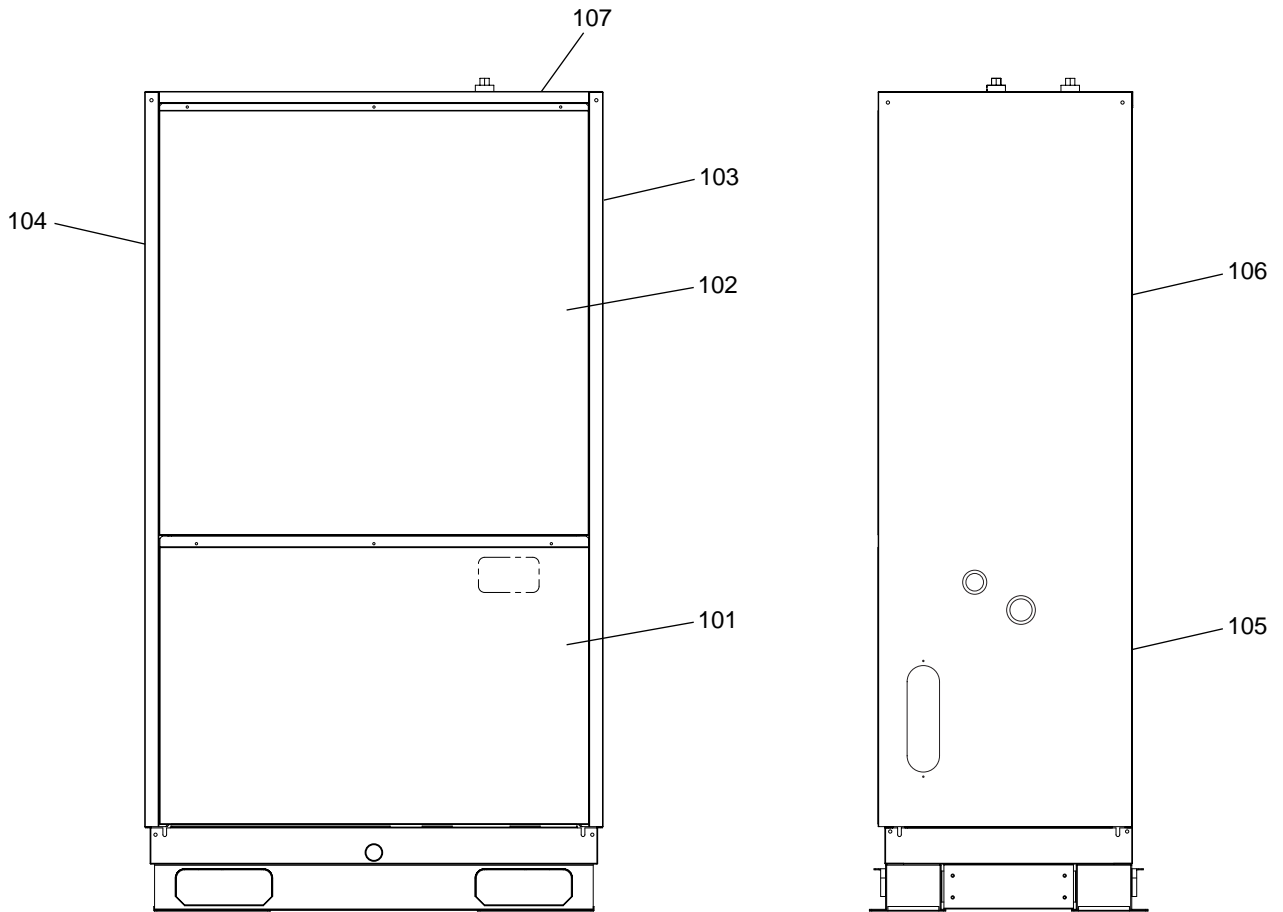
**For use with the R410A**

**July 2005**

<b>INDEX</b>	
<b>Heat exchanger unit</b>	<b>Composing unit model</b>
<b>PQHY-P400YGM-A</b>	<b>PQHY-P400YSGM-A</b>
<b>PQHY-P500YGM-A</b>	<b>PQHY-P500YSGM-A</b>

PQHY-P400YGM-A  
 PQHY-P500YGM-A

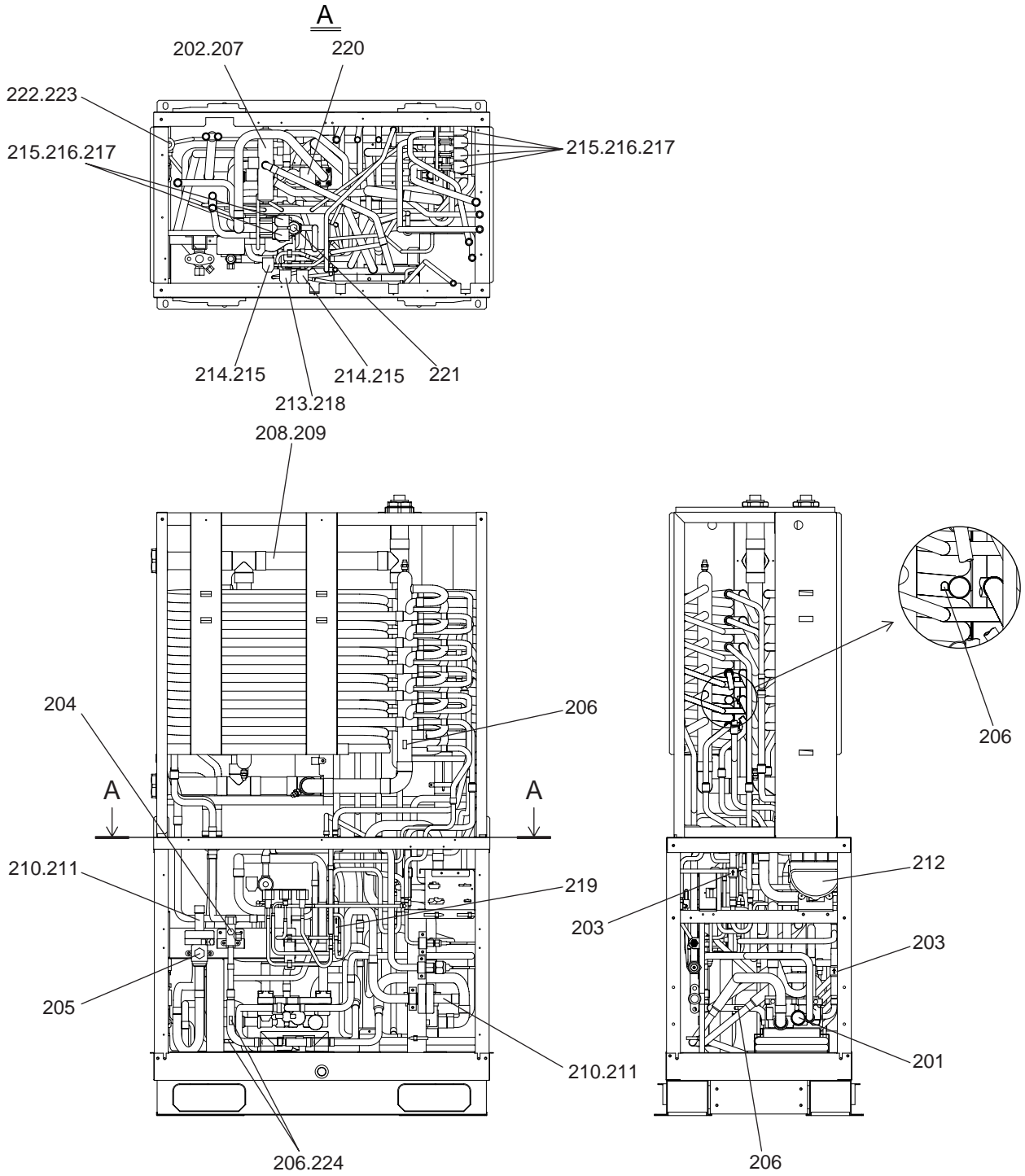
EXTERNAL PARTS



No.	Part No.	Part Name	Spec.	P400YGM-A	P500YGM-A	Dwg. No.	Price
101	R61 9F2 651	Front panel 1 assy		1	1	W660979G02	
102	R61 4F3 652	Front panel 2 assy		1	1	W660980G02	
103	R61 9F2 661	Side panel R assy		1	1	W661857G02	
104	R61 9F3 661	Side panel L assy		1	1	W661858G02	
105	R61 4F3 678	Rear panel 1 assy		1	1	W660981G01	
106	R61 4F3 676	Rear panel 2 assy		1	1	W660982G02	
107	R61 9F2 642	Top panel		1	1	W660925H01	

PQHY-P400YGM-A  
PQHY-P500YGM-A

FUNCTIONAL PARTS



No.	Part No.	Part Name	Spec.	-P400YGM-A	-P500YGM-A		Dwg. No.	Price
201	R61 9F5 418	Check valve block assy		1	1		W278607G01	
202	R61 R34 154	Four way valve		1	1		P633114X01	
203	R61 R43 418	Check valve		2	2		P639165X01	
204	R61 R43 410	Ball valve		1	1		P636307X01	
205	R61 R40 410	Ball valve		1	1		P636309X01	
206	R61 670 202	Thermistor	NTH3A14 <TH5~9>	5	5		P425496X01	
207	R61 Y12 242	Four way valve coil	<21S4a>	1	1		P633106X01	
208	R61 9F2 480	Heat exchanger assy		1			W278629G02	
209	R61 9F3 480	Heat exchanger assy			1		W277941G02	
210	R61 9F2 442	Pipe assy		2	2		W663334G04	
211	R61 F14 514	Packing		2	2		P321009X01	
212	R61 6A7 232	Solenoid valve block assy		1	1		W654369G01	
213	R61 R34 232	Solenoid valve	<SV7c>	1	1		P631279X01	
214	R61 4F3 232	Solenoid valve	<SV7a,SV7b>	2	2		P631290X01	
215	R61 Y18 243	Solenoid valve coil	<SV4a~4d,SV5a,SV5b,SV7a,SV7b>	8	8		P472012X01	
216	R61 6A7 235	Solenoid valve ACS		6	6		P631285X01	
217	R61 6A7 245	Fasten part for solenoid valve		1	1		W909209G01	
218	R61 Y17 243	Solenoid valve coil	<SV7c>	1	1		P472020X01	
219	R61 M05 418	Check valve		1	1		P639147X01	
220	R61 9F6 418	Check valve block assy		1	1		W278675G01	
221	R61 7A7 232	Solenoid valve block assy		1	1		W658302G02	
222	R61 R34 401	Linear expansion valve	CAM35	1	1		P632416X01	
223	R61 9F5 401	Solenoid valve coil	<LEV1>	1	1		P472029X01	
224	R61 G03 287	Sensor cover	EVA(9.52D)	1	1		P227223X01	

