

SERVICE PARTS LIST FOR MITSUBISHI ELECTRIC PACKAGED AIR-CONDITIONERS

Series PQHY-P·YGM-A

For use with the R410A

July 2005

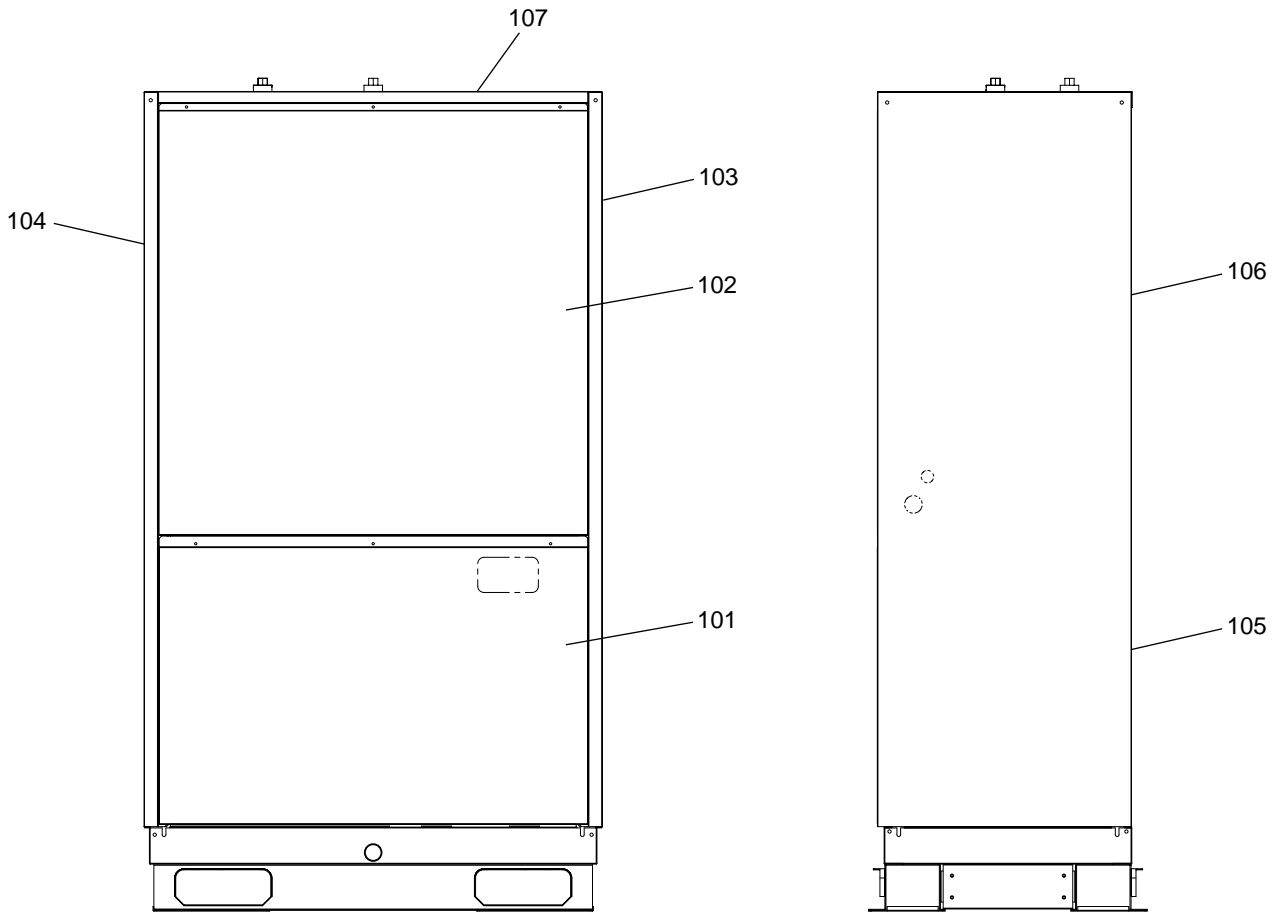
INDEX

PQHY-P200YGM-A

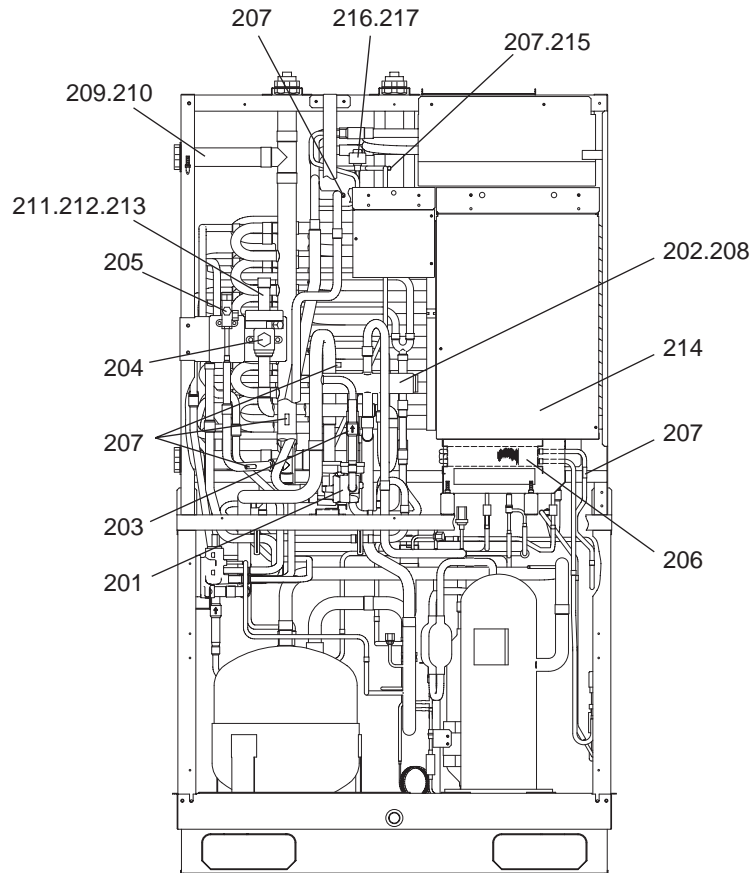
PQHY-P250YGM-A

PQHY-P200YGM-A
PQHY-P250YGM-A

EXTERNAL PARTS



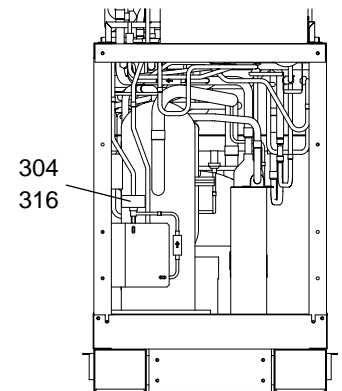
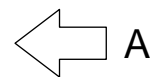
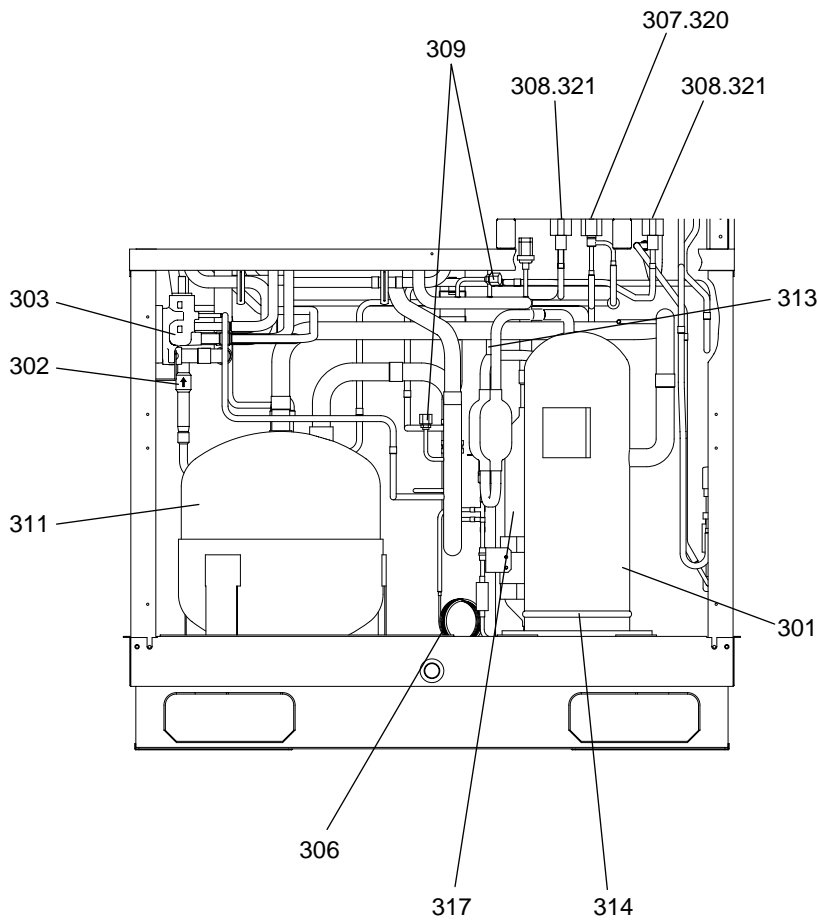
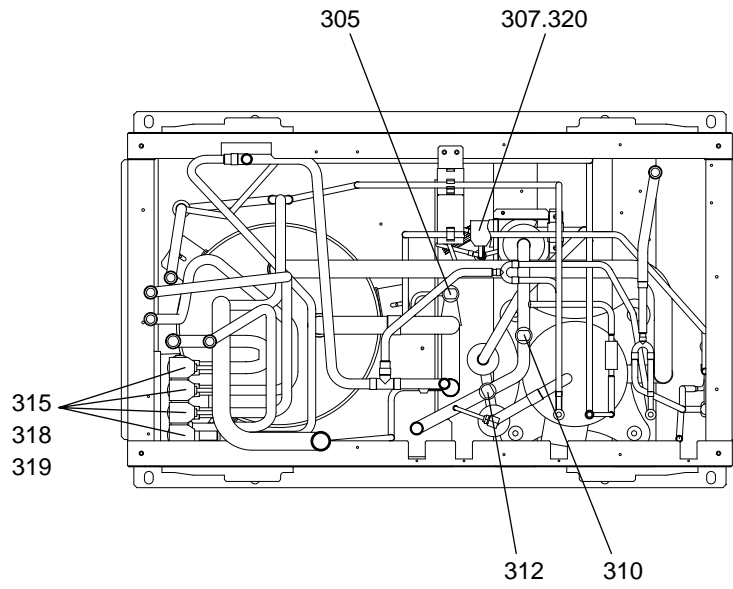
| No. | Part No. | Part Name | Spec. | P200YGM-A | P250YGM-A | Dwg. No. | Price |
|-----|-------------|--------------------|-------|-----------|-----------|------------|-------|
| | | | | | | | |
| 101 | R61 4F3 651 | Front panel 1 assy | | 1 | 1 | W660979G01 | |
| 102 | R61 4F3 652 | Front panel 2 assy | | 1 | 1 | W660980G02 | |
| 103 | R61 4F3 661 | Side panel R assy | | 1 | 1 | W660977G02 | |
| 104 | R61 4F3 662 | Side panel L assy | | 1 | 1 | W660978G02 | |
| 105 | R61 4F3 678 | Rear panel 1 assy | | 1 | 1 | W660981G01 | |
| 106 | R61 4F3 676 | Rear panel 2 assy | | 1 | 1 | W660982G02 | |
| 107 | R61 4F3 642 | Top panel | | 1 | 1 | W659887H01 | |
| | | | | | | | |
| | | | | | | | |
| | | | | | | | |
| | | | | | | | |
| | | | | | | | |
| | | | | | | | |
| | | | | | | | |
| | | | | | | | |
| | | | | | | | |
| | | | | | | | |
| | | | | | | | |
| | | | | | | | |
| | | | | | | | |
| | | | | | | | |
| | | | | | | | |
| | | | | | | | |
| | | | | | | | |



| No. | Part No. | Part Name | Spec. | | | Dwg. No. | Price |
|-----|-------------|------------------------|----------------------|------------|------------|------------|-------|
| | | | | -P200YGM-A | -P250YGM-A | | |
| 201 | R61 9F5 418 | Check valve block assy | | 1 | 1 | W278607G01 | |
| 202 | R61 Y05 154 | Four way valve | STF-07 | 1 | 1 | P633119X01 | |
| 203 | R61 R43 418 | Check valve | | 1 | 1 | P639165X01 | |
| 204 | R61 R40 410 | Ball valve | | 1 | 1 | P636309X01 | |
| 205 | R61 R37 410 | Ball valve | | 1 | 1 | P636305X01 | |
| 206 | R61 4F3 480 | Heat exchanger | | 1 | 1 | W278600G02 | |
| 207 | R61 670 202 | Thermistor | NTH3A14 <TH5Å`9,INV> | 6 | 6 | P425496X01 | |
| 208 | R61 Y16 243 | Four way valve coil | <21S4a> | 1 | 1 | P472024X01 | |
| 209 | R61 0G9 480 | Heat exchanger assy | | 1 | | W278616G05 | |
| 210 | R61 1G0 480 | Heat exchanger assy | | | 1 | W278616G06 | |
| 211 | R61 0G9 441 | Pipe assy | | 1 | | W663334G01 | |
| 212 | R61 9F2 441 | Pipe assy | | | 1 | W663334G02 | |
| 213 | R61 F14 514 | Packing | | 1 | 1 | P321009X01 | |
| 214 | R61 Y49 305 | Control box | WY-P250 | 1 | 1 | W278127G02 | |
| 215 | R61 G03 287 | Sensor cover | EVA(9.52D) | 1 | 1 | P227223X01 | |
| 216 | R61 R34 401 | Linear expansion valve | CAM35 | 1 | 1 | P632416X01 | |
| 217 | R61 R34 243 | Solenoid valve coil | <LEV1> | 1 | 1 | P472008X01 | |
| | | | | | | | |
| | | | | | | | |
| | | | | | | | |

PQHY-P200YGM-A
PQHY-P250YGM-A

FUNCTIONAL PARTS (2)



A

PQHY-P200YGM-A
PQHY-P250YGM-A

CONTROL BOX PARTS

