

TECHNICAL & SERVICE MANUAL

Series PMFY Ceiling Cassettes R410A / R407C / R22

Indoor unit
[Model names]

PMFY-P20VBM-E

PMFY-P25VBM-E

PMFY-P32VBM-E

PMFY-P40VBM-E

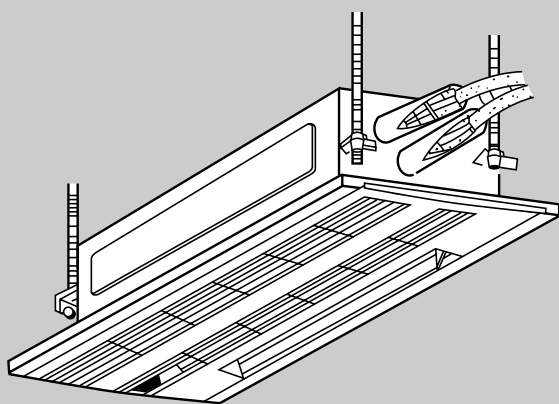
[Service Ref.]

PMFY-P20VBM-E

PMFY-P25VBM-E

PMFY-P32VBM-E

PMFY-P40VBM-E

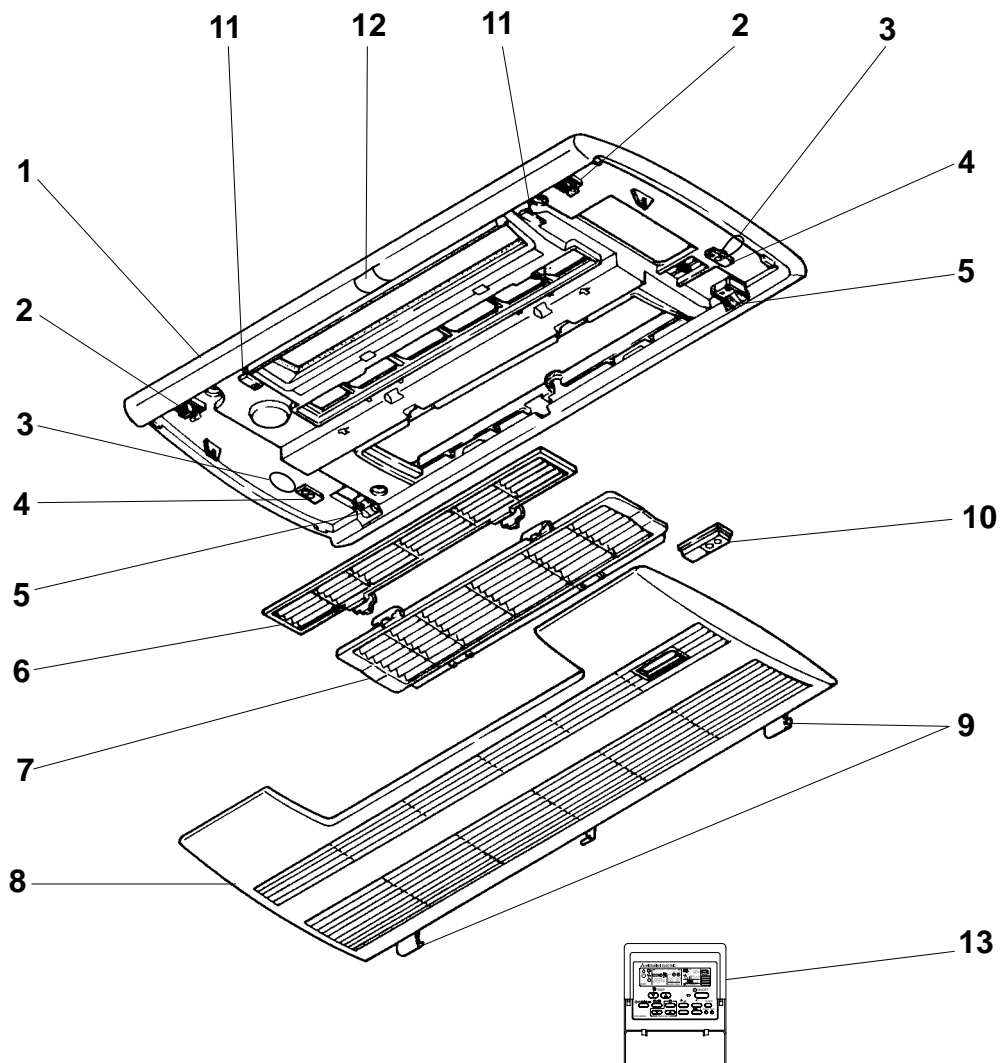


INDOOR UNIT

CONTENTS

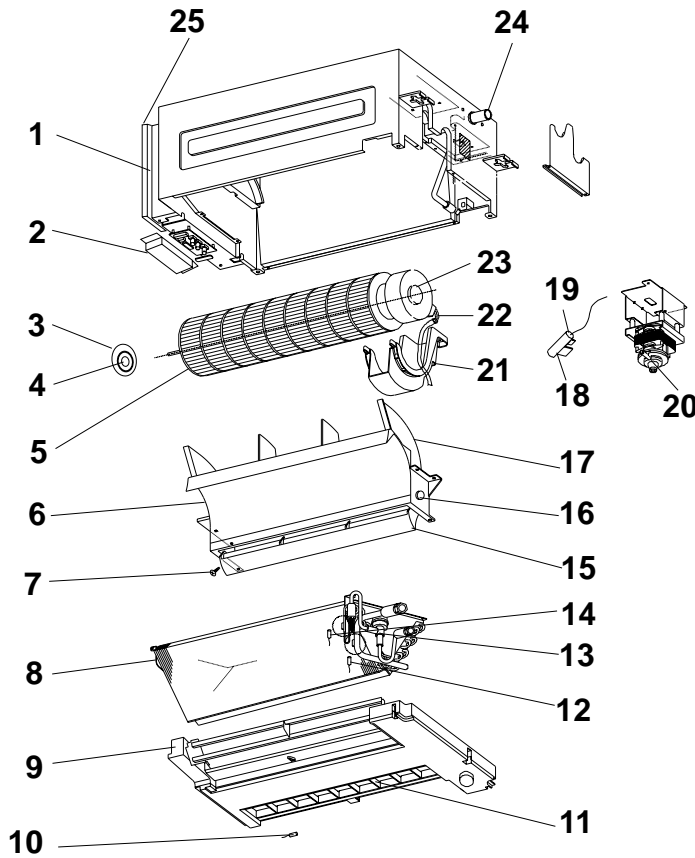
1. SAFETY PRECAUTION	2
2. PART NAMES AND FUNCTIONS	6
3. SPECIFICATION	8
4. OUTLINES AND DIMENSIONS	12
5. WIRING DIAGRAM	13
6. REFRIGERANT SYSTEM DIAGRAM	14
7. TROUBLE SHOOTING	15
8. DISASSEMBLY PROCEDURE	22
9. PARTS LIST	25

PANEL PARTS
 PMFY-P20VBM-E
 PMFY-P25VBM-E
 PMFY-P32VBM-E
 PMFY-P40VBM-E



No.	Part No.	Part Name	Specification	Q'ty/set	Remarks (Drawing No.)	Wiring Diagram Symbol	Recom- mended Q'ty	Price	
				PMFY- P20,P25,P32,P40 VBM-E				Unit	Amount
1	T7W E11 003	AIR OUTLET GRILLE		1					
2	R01 E00 055	LATCH		2					
3	—	HANGER		2	(DT88D360H03)				
4	R01 E00 099	PANEL HOOK		2					
5	RO1 E01 054	GRILLE CATCH		2					
6	RO1 E01 500	L.L.FILTER		1					
7	R01 E02 500	L.L.FILTER		1					
8	TW7 E01 691	INTAKE GRILLE		1					
9	R01 E00 054	GRILLE CATCH		2					
10	R01 E00 648	RECEIVER COVER		1					
11	R01 E00 044	MAGNET		2					
12	R01 E00 096	SCREW CAP		1					
13	—	REMOTE CONTROLLER	PAR-20MAA	1		R.B			

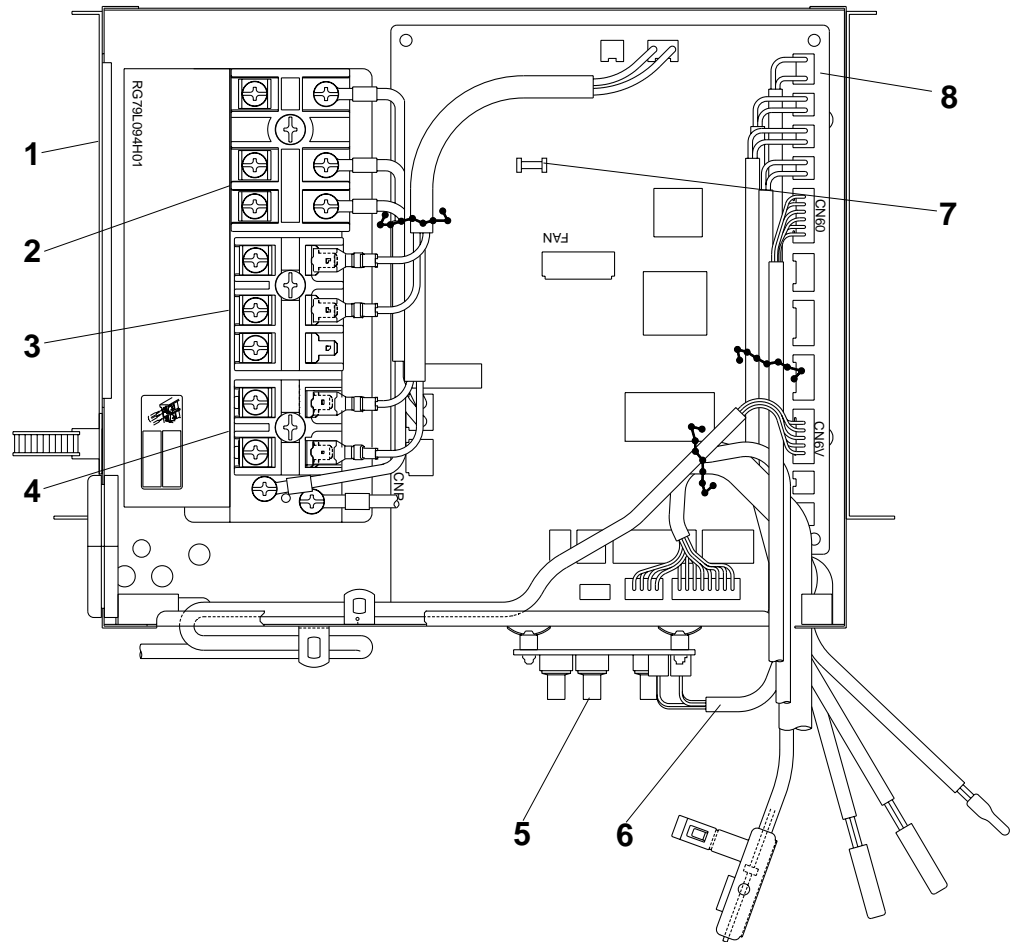
FUNCTIONAL PARTS
PMFY-P20VBM-E
PMFY-P25VBM-E
PMFY-P32VBM-E
PMFY-P40VBM-E



Part number that is circled is not shown in the figure.

No.	Part No.	Part Name	Specification	Q'ty/set		Remarks (Drawing No.)	Wiring Diagram Symbol	Recom- mended Q'ty	Price	
				PMFY-P · VBM-E					Unit	Amount
				20, 25	32, 40					
1	—	CABINET		1	1	(DT00A478G78)				
2	—	ADDRESS BOARD COVER		1	1	(RG02L277H02)				
3	R01 22A 102	BEARING MOUNT		1	1					
4	R01 005 103	SLEEVE BEARING		1	1					
5	R01 E02 114	LINE FLOW FAN		1	1					
6	R01 E00 079	STABILIZER ASSY		1	1					
7	R01 E00 092	VANE SLEEVE		1	1					
8	T7W E48 480	HEAT EXCHANGER		1						
	T7W E49 480	HEAT EXCHANGER			1					
9	R01 E10 529	DRAIN PAN		1	1					
10	R01 E00 202	THERMISTOR	ROOM	1	1		TH21			
11	R01 E00 038	GUIDE VANE		1	1					
12	R01 E01 202	THERMISTOR	LIQUID	1	1		TH22			
13	R01 E66 401	LINEAR EXPANSION VALVE		1	1		LEV			
14	R01 E03 202	THERMISTOR	GAS	1	1		TH23			
15	R01 E01 002	VANE		1	1					
16	R01 E01 223	VANE MOTOR		1	1		MV			
17	R01 E00 110	CASING		1	1					
18	R01 31K 241	SENSOR HOLDER		1	1					
19	R01 E01 266	DRAIN SENSOR		1	1		DS			
20	T7W E02 355	DRAIN PUMP		1	1		DP			
21	R01 E00 130	MOTOR SUPPORT		1	1					
22	R01 E03 220	FAN MOTOR		1	1		MF			
23	R01 E01 105	MOTOR MOUNT		1	1					
24	R01 E00 527	DRAIN PIPE		1	1					
25	—	CONTROL BOX COVER		1	1	(RG00L311G11)				
26	R01 E01 673	SCREW ASSY		1	1					

ELECTRICAL PARTS
PMFY-P20VBM-E
PMFY-P25VBM-E
PMFY-P32VBM-E
PMFY-P40VBM-E



No.	Part No.	Part Name	Specification	Q'ty/set	Remarks (Drawing No.)	Wiring Diagram Symbol	Recom- mended Q'ty	Price	
				PMFY- P20, P25, P32, P40 VBM-E				Unit	Amount
1	—	CONTROL BOX		1	(RG02B337G14)				
2	T7W A14 716	TERMINAL BLOCK	3P (L,N,⊕)	1		TB2			
3	T7W E00 716	TERMINAL BLOCK	3P (M1,M2,S)	1		TB5			
4	T7W 515 716	TERMINAL BLOCK	2P(1,2)	1		TB15			
5	T7W B01 294	ADDRESS BOARD		1		A.B			
6	R01 E00 304	CABLE ASSY		1					
7	T7W 520 239	FUSE	250V 6.3A	1		FUSE			
8	T7W E35 310	INDOOR CONTROLLER BOARD	with POWER BOARD	1		I.B			

