

SERVICE PARTS LIST FOR MITSUBISHI ELECTRIC PACKAGED AIR-CONDITIONERS

Series : PLFY-P.VLMD-E

REVISED

May 2009

BWE0404E

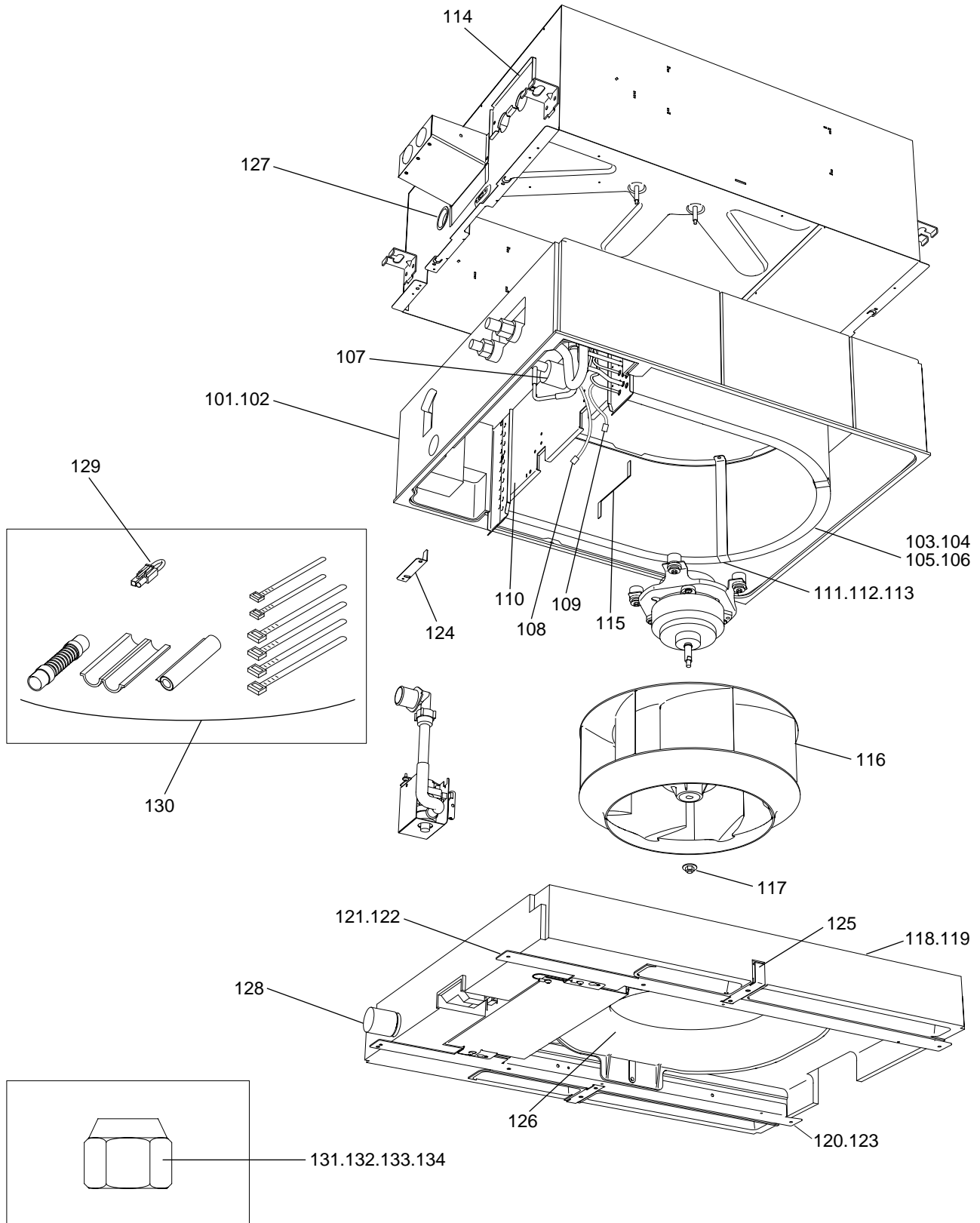
INDEX

PLFY-P20VLMD-E
PLFY-P25VLMD-E
PLFY-P32VLMD-E
PLFY-P40VLMD-E
PLFY-P50VLMD-E
PLFY-P63VLMD-E
PLFY-P80VLMD-E
PLFY-P100VLMD-E
PLFY-P125VLMD-E



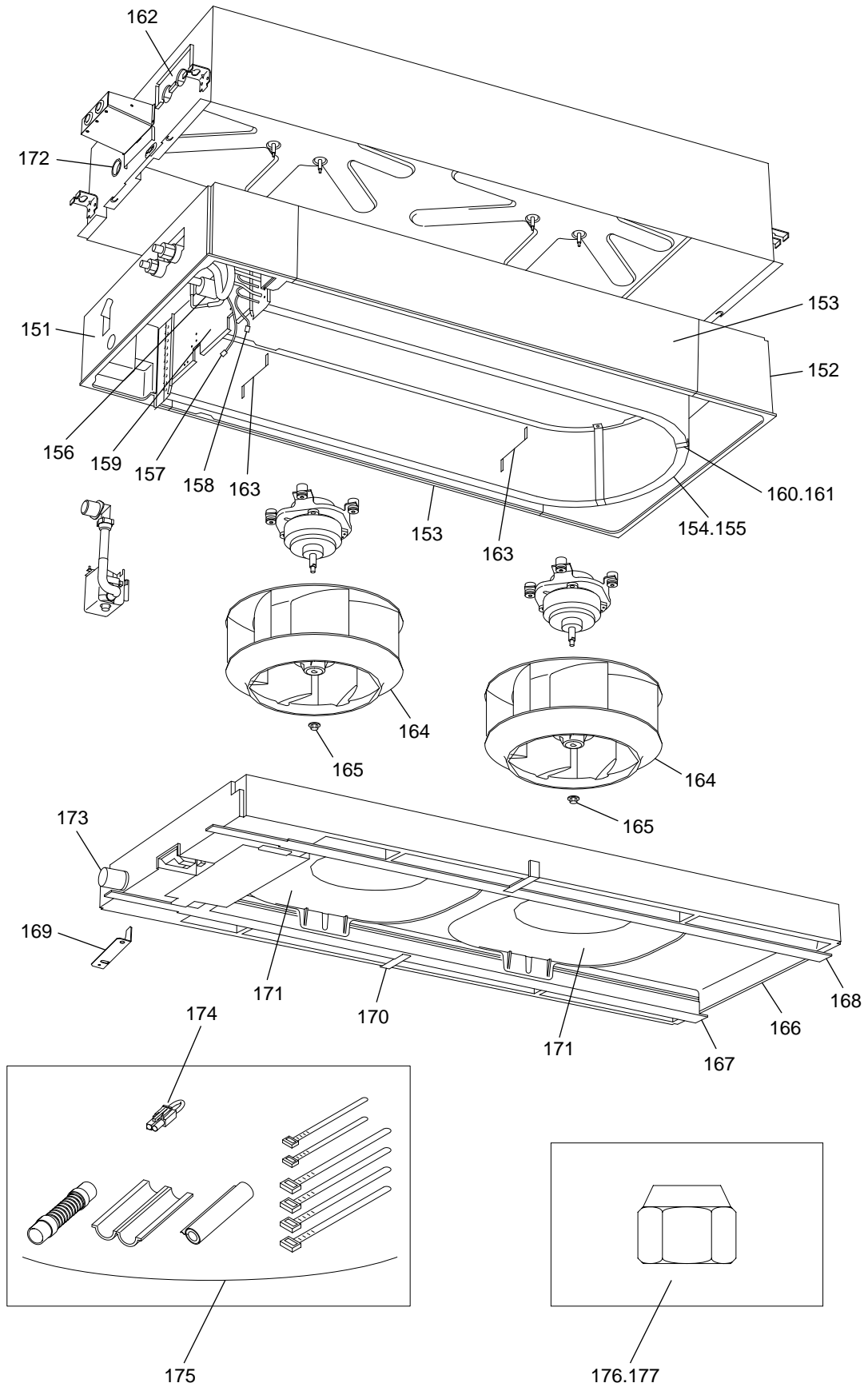
PLFY-P20,P25VLMD-E
PLFY-P32,P40VLMD-E
PLFY-P50,P63VLMD-E

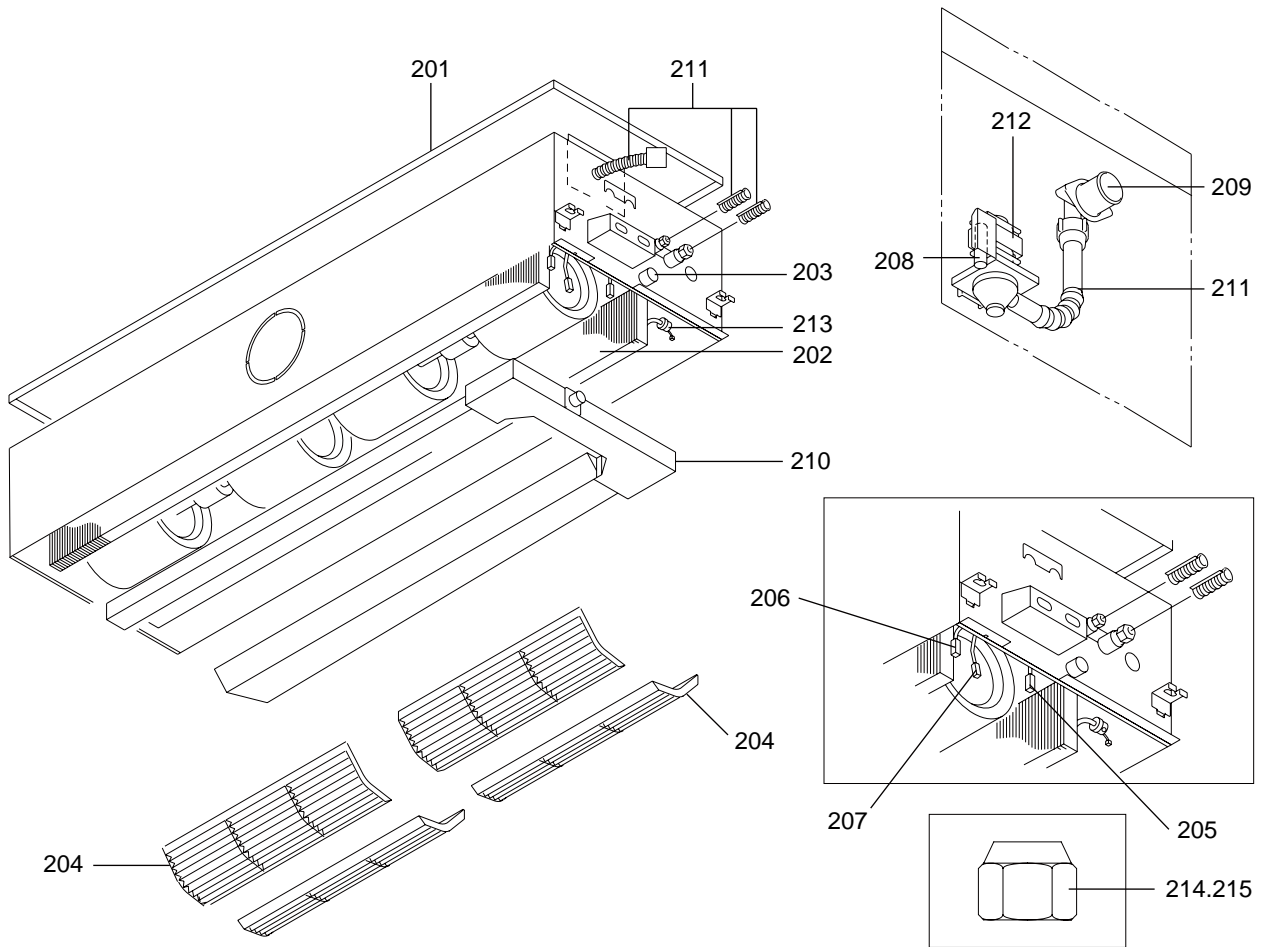
EXTERNAL PARTS (1)



PLFY-P80VLMD-E
PLFY-P100VLMD-E

EXTERNAL PARTS (2)



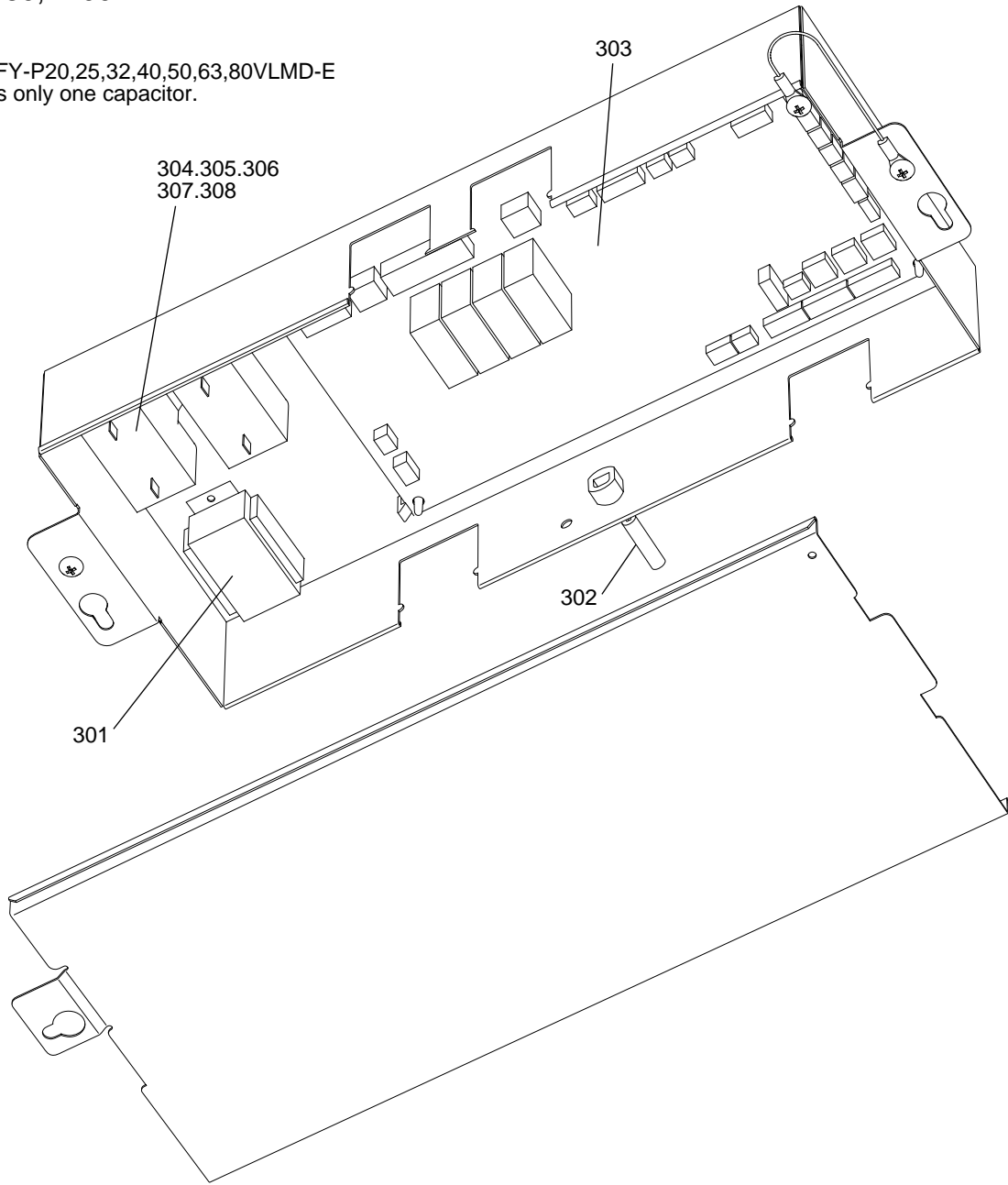


No.	Part No.	G : RoHS Apply Only W : RoHS Apply by Running Change		Spec.	PLFY-P125VLMD-E					Dwg. No.	Price	Revision History
			Part Name									
201	R63 E96 641	G	Top panel		1					W625343G01		
202	R61 313 480	G	Heat exchanger		1					W125139G23		E
203	R61 E96 558	G	Rubber stopper		1					P312040X01		
204	R63 E96 500	G	Air filter		4					P717990X01		
205	R63 E38 287	G	Thermistor	(gas)	1					W860042G02		
206	R61 096 200	G	Thermistor	(liquid)	1					W860042G07		E
207	R61 097 200	G	Thermistor	(inlet)	1					W860042G08		E
208	R63 H86 289	G	Drain sensor		1					W861228G02		
209	R61 A75 218	G	Socket		1					W621301H01		
210	R63 E96 529	G	Drain pan		1					W622592G31		E
211	R63 Y01 525	G	Drain hose set		1					W650735G01		
212	R63 Y04 539	G	Drain pump LVD	PJV-1058	1					P722079X01		
213	R63 005 401	G	Linear expansion valve	EFM-80YGMD-3	1					P632452X01		
214	R63 8G1 122	G	Flare nut	(gas) Ø15.88(5/8)	1					BG12S826H01		E
215	R63 8G0 122	G	Flare nut	(liquid) Ø9.52(3/8)	1					Z211A143H06		E

PLFY-P20,P25VLMD-E
 PLFY-P32,P40VLMD-E
 PLFY-P50,P63VLMD-E
 PLFY-P80,P100VLMD-E

CONTROL BOX PARTS (1)

*PLFY-P20,25,32,40,50,63,80VLMD-E
 has only one capacitor.

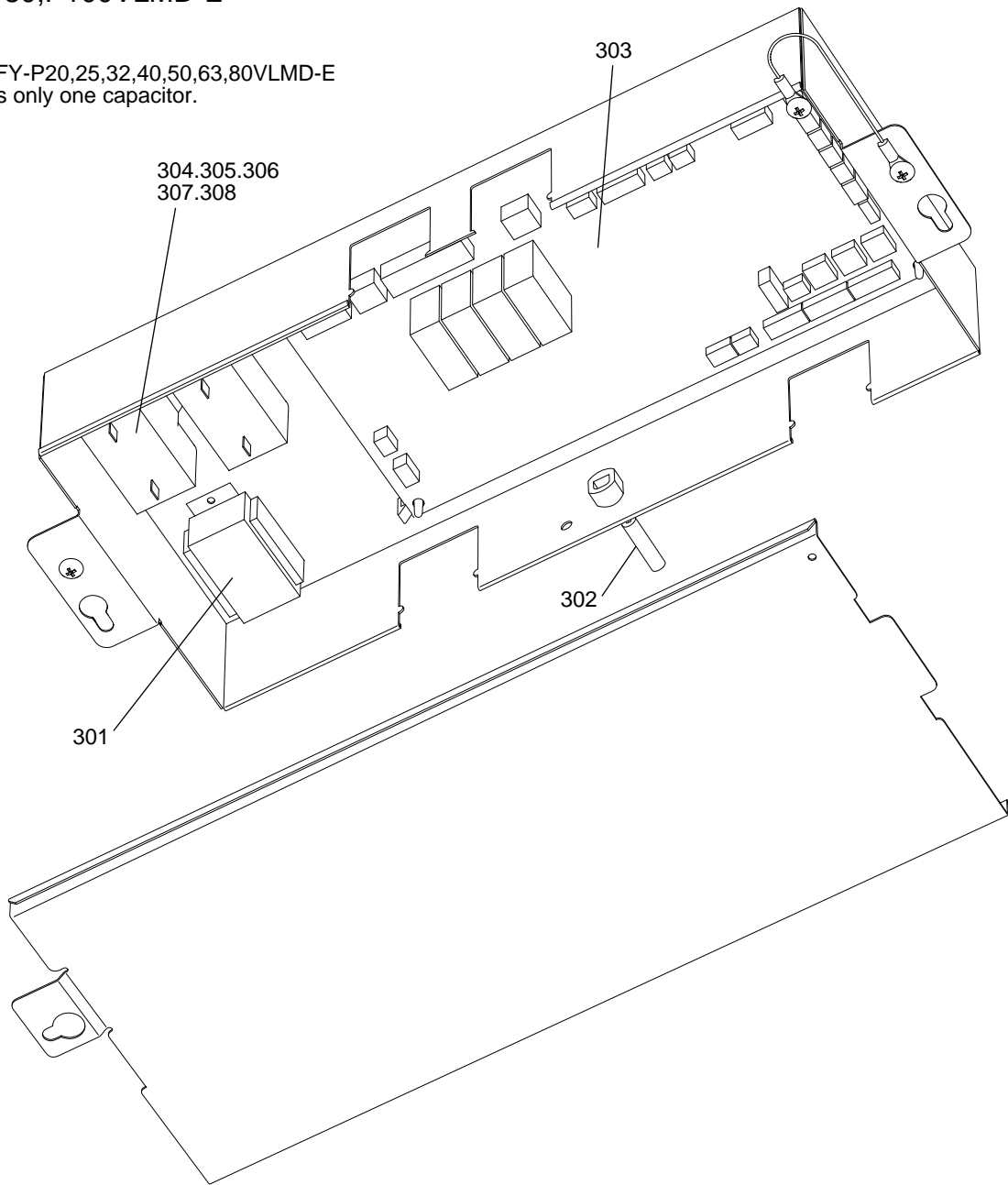


No.	Part No.	G : RoHS Apply Only W : RoHS Apply by Running Change		Spec.	PLFY-P20VLMD-E	PLFY-P25VLMD-E	PLFY-P32VLMD-E	PLFY-P40VLMD-E	PLFY-P50VLMD-E	PLFY-P63VLMD-E	Dwg. No.	Price	Revision History
			Part Name										
301	R61 004 260	G	Transformer	T 240V/23.2V-1.1AXA	1	1	1	1	1	1	P715419X01		
302	R63 Y01 287	G	Thermistor	(inlet)	1	1	1	1	1	1	W891304G20		E
303	R63 Y34 281	G	Controller board		1	1	1	1	1	1	W849072G02		
304	R63 Y22 252	G	Capacitor 1.3μF	440VAC 1.3μF	1	1	1				P412283X01		
305	R63 Y14 252	G	Capacitor 1.5μF	440VAC 1.5μF				1			P412234X01		
306	R63 Y23 252	G	Capacitor 1.7μF	440VAC 1.7μF					1		P412280X01		
307	R63 M92 252	G	Capacitor 2.2μF	440VAC 2.2μF						1	P412282X01		
308	R63 Y15 252	G	Capacitor 2.0μF	440VAC 2.0μF							P412235X01		

PLFY-P20,P25VLMD-E
 PLFY-P32,P40VLMD-E
 PLFY-P50,P63VLMD-E
 PLFY-P80,P100VLMD-E

CONTROL BOX PARTS (1)

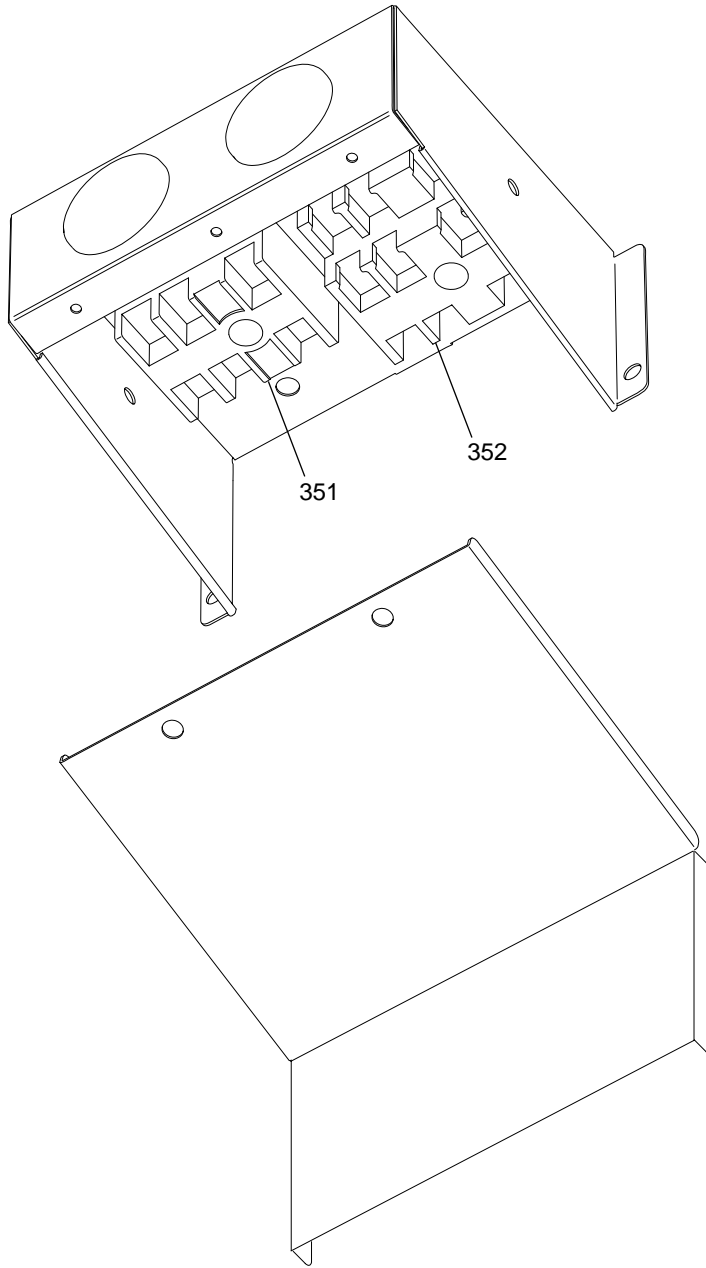
*PLFY-P20,25,32,40,50,63,80VLMD-E
 has only one capacitor.



No.	Part No.	G : RoHS Apply Only W : RoHS Apply by Running Change		Spec.	PLFY-P80VLMD-E	PLFY-P100VLMD-E			Dwg. No.	Price	Revision History
			Part Name								
301	R61 004 260	G	Transformer	T 240V/23.2V-1.1AXA	1	1			P715419X01		
302	R63 Y01 287	G	Thermistor	(inlet)	1	1			W891304G20		E
303	R63 Y34 281	G	Controller board		1	1			W849072G02		
304	R63 Y22 252	G	Capacitor 1.3μF	440VAC 1.3μF					P412283X01		
305	R63 Y14 252	G	Capacitor 1.5μF	440VAC 1.5μF	2				P412234X01		
306	R63 Y23 252	G	Capacitor 1.7μF	440VAC 1.7μF					P412280X01		
307	R63 M92 252	G	Capacitor 2.2μF	440VAC 2.2μF					P412282X01		
308	R63 Y15 252	G	Capacitor 2.0μF	440VAC 2.0μF		2			P412235X01		

PLFY-P20,P25VLMD-E
 PLFY-P32,P40VLMD-E
 PLFY-P50,P63VLMD-E
 PLFY-P80,P100VLMD-E

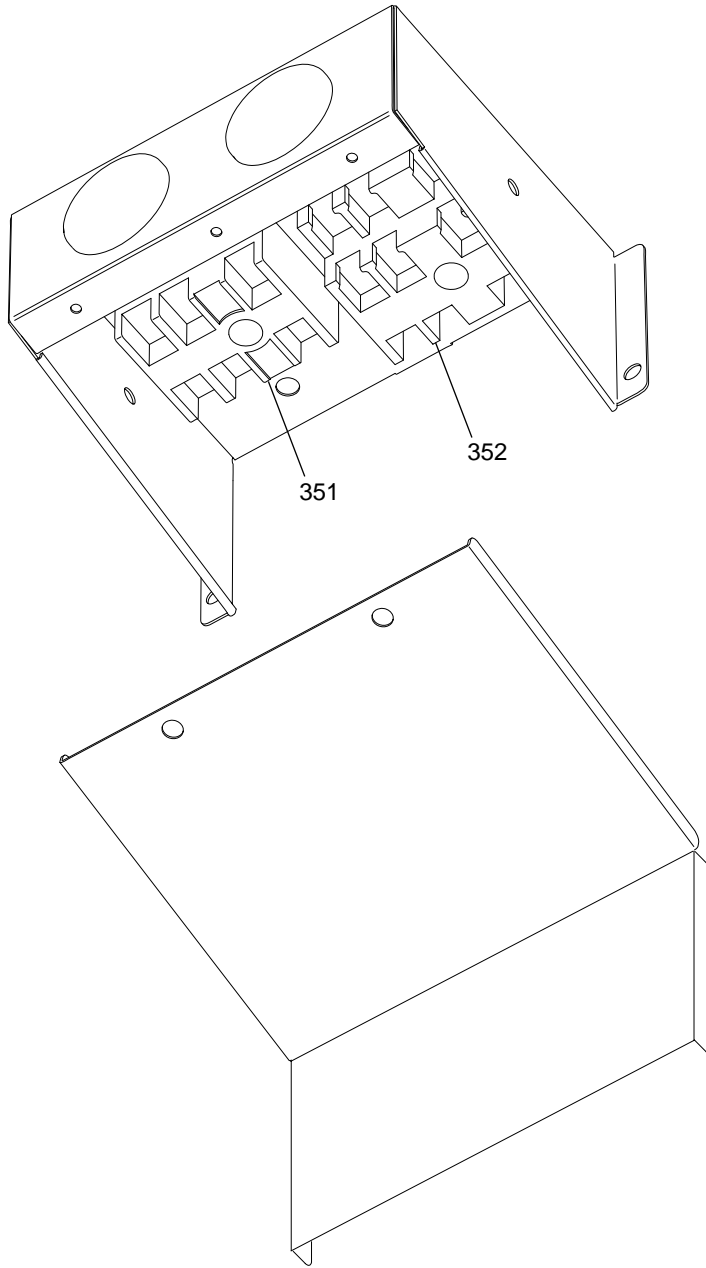
CONTROL BOX PARTS (2)



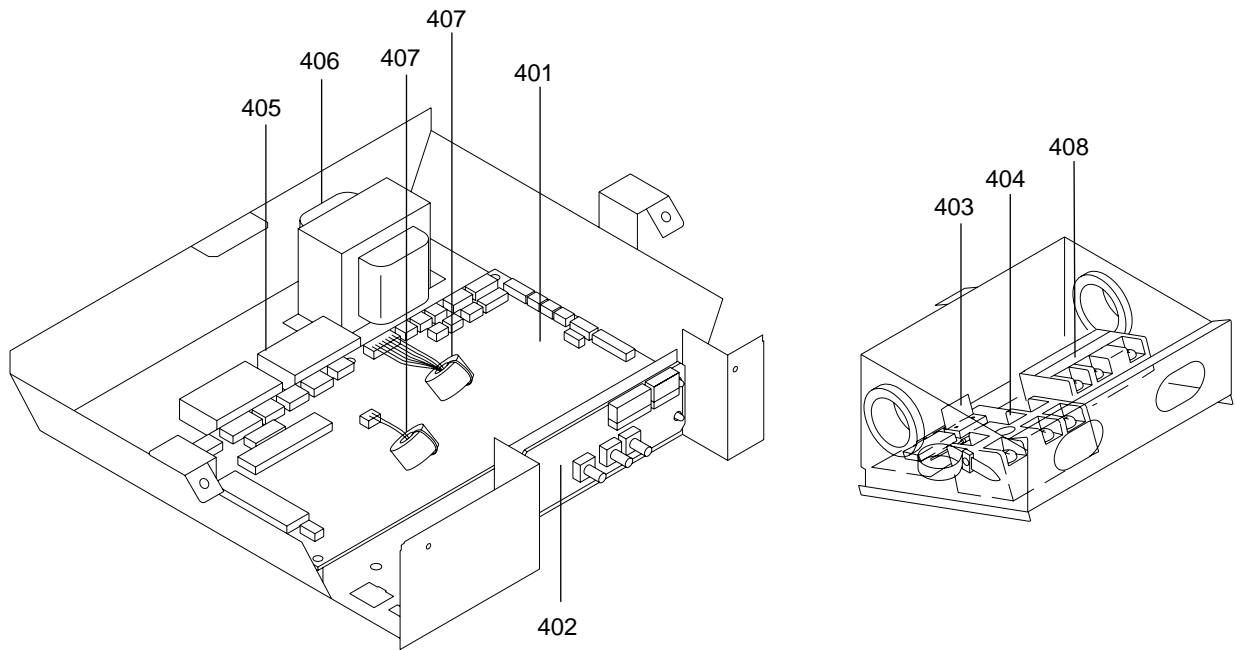
No.	Part No.	G : RoHS Apply Only W : RoHS Apply by Running Change		Spec.	PLFY-P20VLMD-E	PLFY-P25VLMD-E	PLFY-P32VLMD-E	PLFY-P40VLMD-E	PLFY-P50VLMD-E	PLFY-P63VLMD-E	Dwg. No.	Price	Revision History
			Part Name										
351	R63 Y08 715	G	Terminal block		1	1	1	1	1	1	P436239X01		E
352	R63 336 246	G	Terminal block		1	1	1	1	1	1	P436114X03		

PLFY-P20,P25VLMD-E
 PLFY-P32,P40VLMD-E
 PLFY-P50,P63VLMD-E
 PLFY-P80,P100VLMD-E

CONTROL BOX PARTS (2)



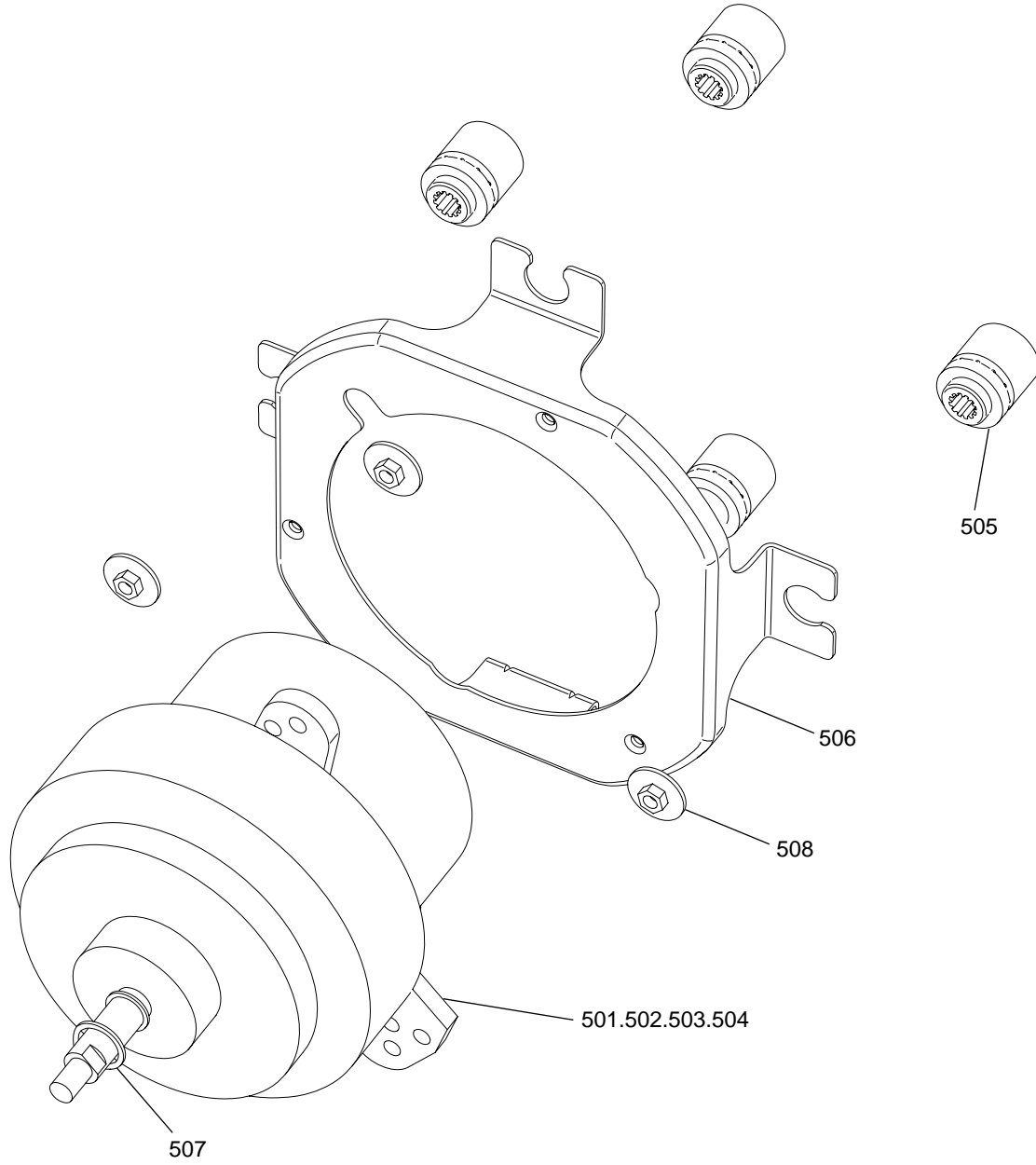
No.	Part No.	G : RoHS Apply Only W : RoHS Apply by Running Change		Spec.	PLFY-P80VLMD-E	PLFY-P100VLMD-E					Dwg. No.	Price	Revision History
			Part Name										
351	R63 Y08 715	G	Terminal block		1	1					P436239X01		E
352	R63 336 246	G	Terminal block		1	1					P436114X03		



No.	Part No.	G : RoHS Apply Only W : RoHS Apply by Running Change		Spec.	PLFY-P125VLMD-E					Dwg. No.	Price	Revision History
			Part Name									
401	R63 Y35 281	G	Board assy (PC)	<I.B>	1					W849072G04		
402	R63 Y37 281	G	Board assy (AD)	<A.B>	1					W849036G09		
403	R63 Y22 280	G	Board assy (DSA)	<S.B>	1					W849072G13		
404	R63 Y08 715	G	Terminal block	<TB2>	1					P436239X01		E
405	R63 F79 252	G	Capacitor 5	<C1,2>(440VAC,5μF)	2					P412214X01		
406	R63 007 260	G	Transformer	<T>(240V/23.5V-0.9A)	1					P715414X01		
407	R63 Y01 015	G	Troidal ferrite cramp	<FB1,2>	1					P419042X01		
408	R63 336 246	G	Terminal block	<TB5>,<TB15>	1					P436114X03		

PLFY-P20,P25VLMD-E
 PLFY-P32,P40VLMD-E
 PLFY-P50,P63VLMD-E
 PLFY-P80,P100VLMD-E

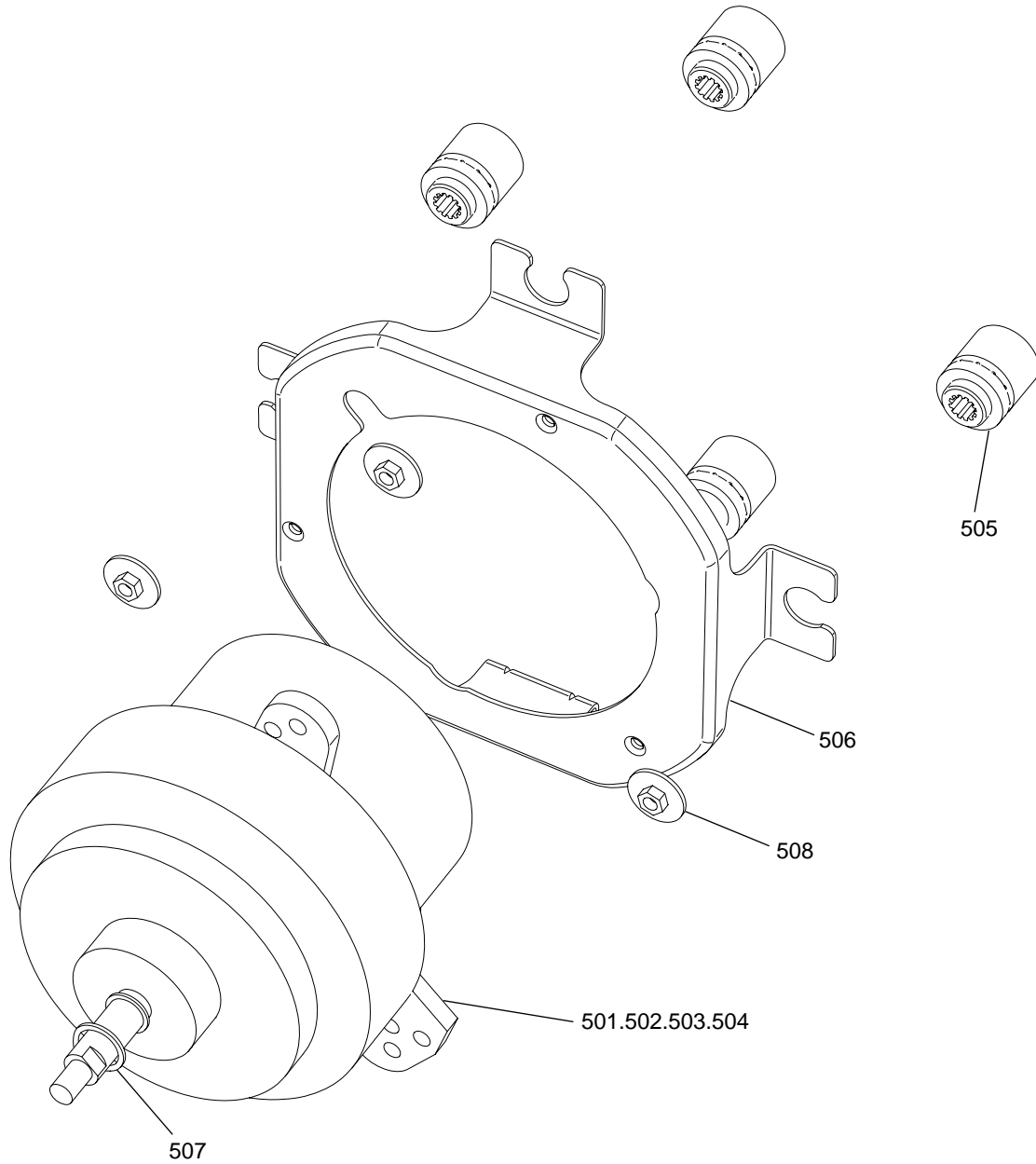
BLOWER PARTS (1)



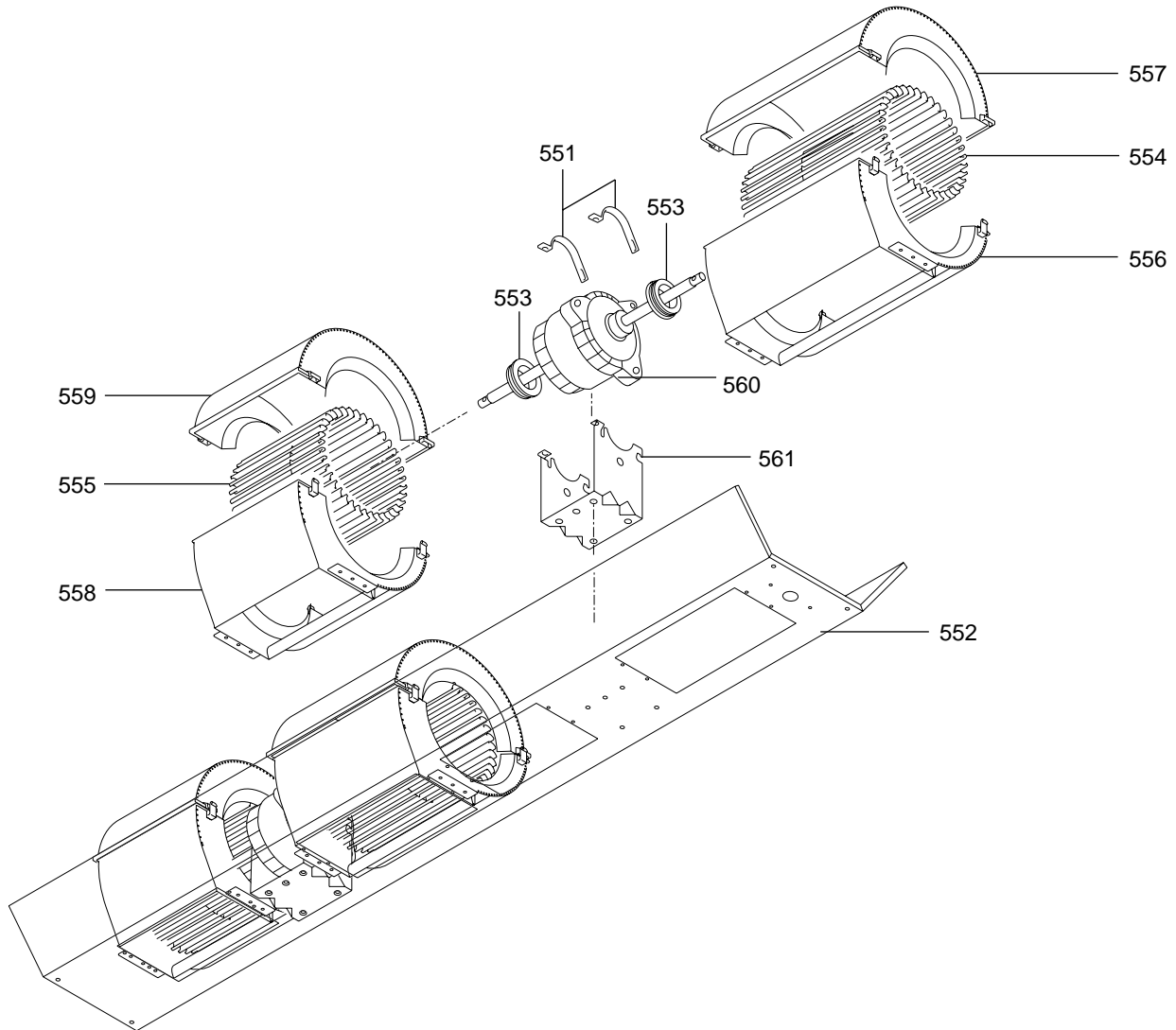
No.	Part No.	G : RoHS Apply Only W : RoHS Apply by Running Change		Spec.	PLFY-P20VLMD-E	PLFY-P25VLMD-E	PLFY-P32VLMD-E	PLFY-P40VLMD-E	PLFY-P50VLMD-E	PLFY-P63VLMD-E	Dwg. No.	Price	Revision History
			Part Name										
501	R63 S74 220	G	Motor	P15MW	1	1	1	1			P780120X01		E
502	R63 1E5 220	G	Motor	P20MW					1	1	P714950X01		
503	R63 Y40 221	G	Motor	P35MW							P714955X01		
504	R63 Y41 221	G	Motor	P40MW							P714956X01		
505	R61 M91 130	G	Motor mount		4	4	4	4	4	4	W893009H01		
506	R63 M91 131	G	Motor plate		1	1	1	1	1	1	W645053H01		
507	R61 M91 136	G	Washer		1	1	1	1	1	1	W897145H01		
508	R63 491 314	G	Washer nut	M5	4	4	4	4	4	4	W840920H01		

PLFY-P20,P25VLMD-E
 PLFY-P32,P40VLMD-E
 PLFY-P50,P63VLMD-E
 PLFY-P80,P100VLMD-E

BLOWER PARTS (1)



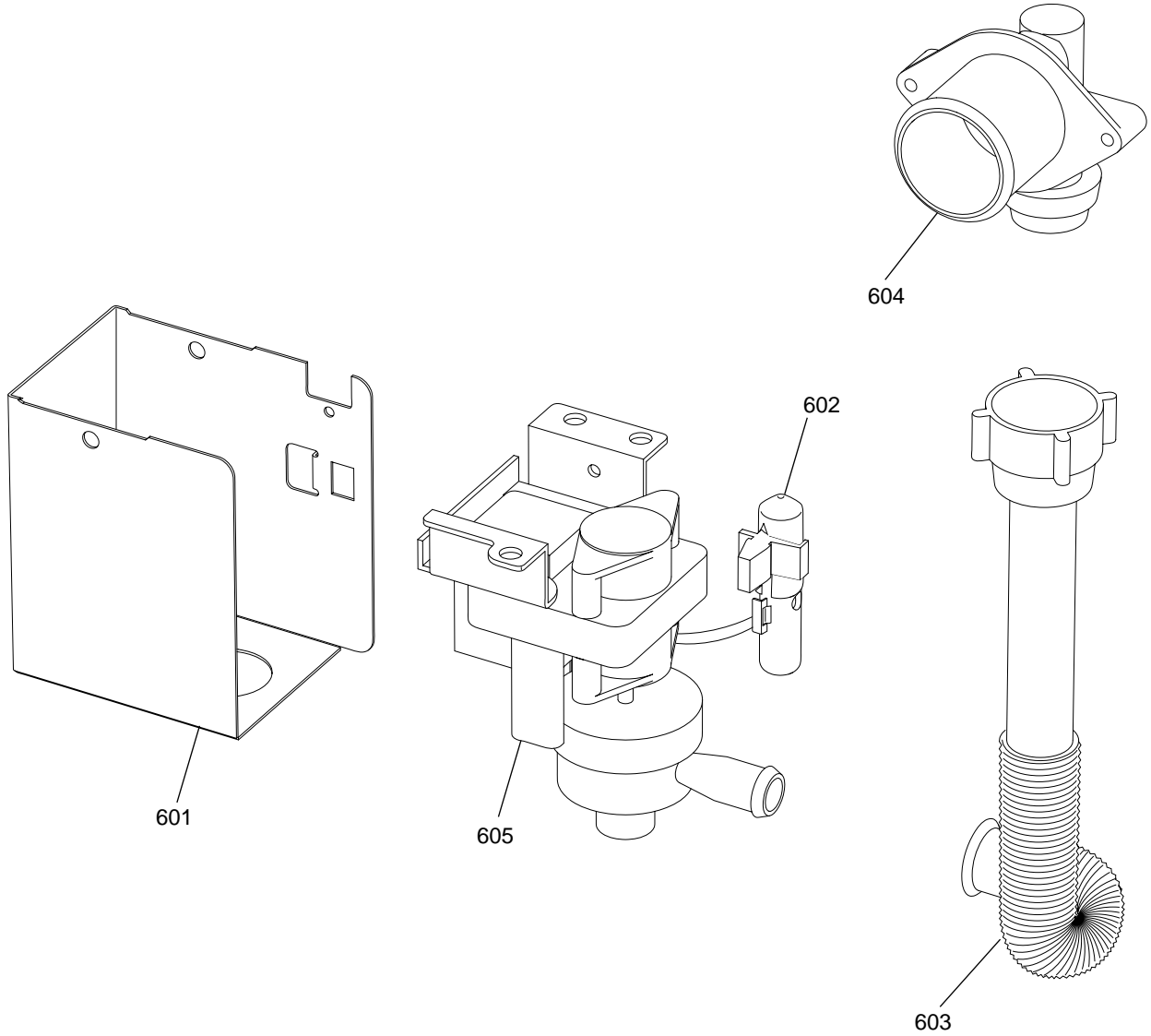
No.	Part No.	G : RoHS Apply Only W : RoHS Apply by Running Change		Spec.	PLFY-P80VLMD-E	PLFY-P100VLMD-E				Dwg. No.	Price	Revision History
			Part Name									
501	R63 S74 220	G	Motor	P15MW						P780120X01		E
502	R63 1E5 220	G	Motor	P20MW						P714950X01		
503	R63 Y40 221	G	Motor	P35MW	2					P714955X01		
504	R63 Y41 221	G	Motor	P40MW	2					P714956X01		
505	R61 M91 130	G	Motor mount		8	8				W893009H01		
506	R63 M91 131	G	Motor plate		2	2				W645053H01		
507	R61 M91 136	G	Washer		2	2				W897145H01		
508	R63 491 314	G	Washer nut	M5	8	8				W840920H01		



No.	Part No.	G : RoHS Apply Only W : RoHS Apply by Running Change		Spec.	PLFY-P125VLMD-E				Dwg. No.	Price	Revision History
			Part Name								
551	R63 652 131	G	Fixing plate		4				W353715H01		
552	R63 Y17 140	G	Fan stand assy	112	1				W625341G02		
553	R61 979 104	G	Rubber bush	CR,black	4				W843446H02		
554	R63 G21 114	G	Sirocco fan	180-230	2				W122297G02		
555	R63 G22 114	G	Sirocco fan	180-180	2				W122296G02		
556	R63 E38 109	G	Fan casing	180-230	2				W126411G02		
557	R63 E39 109	G	Fan casing	180-230	2				W126412G02		
558	R63 E40 109	G	Fan casing	180-180	2				W126411G01		
559	R63 E41 109	G	Fan casing	180-180	2				W126412G01		
560	R63 E96 220	G	Motor	<MF>78W,1PHASE,220V	2				P714426X01		
561	R63 E38 130	G	Motor support		2				W260434H02		

PLFY-P20,P25VLMD-E
 PLFY-P32,P40VLMD-E
 PLFY-P50,P63VLMD-E
 PLFY-P80,P100VLMD-E

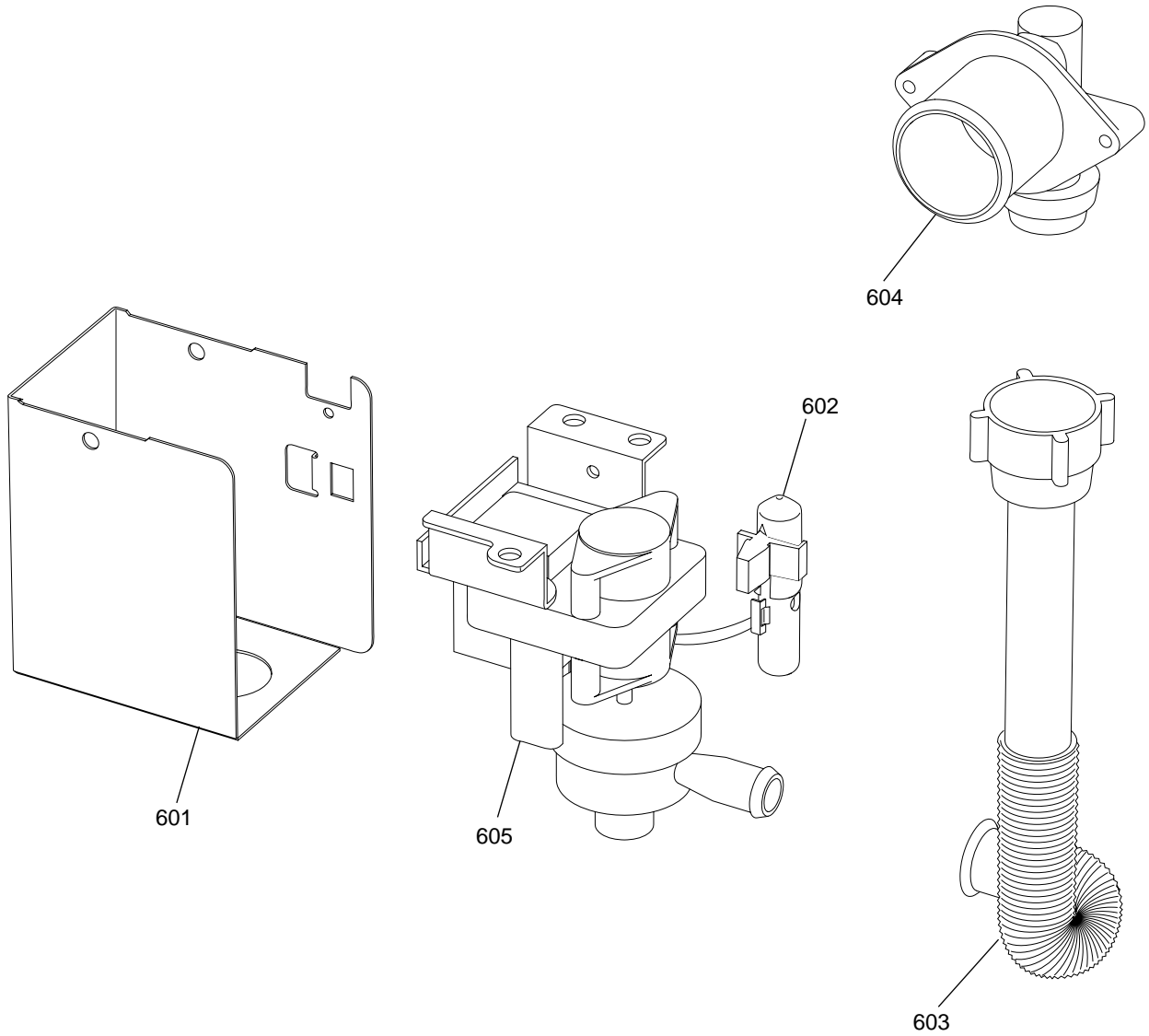
DRAIN PUMP PARTS



No.	Part No.	G : RoHS Apply Only W : RoHS Apply by Running Change		Spec.	PLFY-P20VLMD-E	PLFY-P25VLMD-E	PLFY-P32VLMD-E	PLFY-P40VLMD-E	PLFY-P50VLMD-E	PLFY-P63VLMD-E	Dwg. No.	Price	Revision History
			Part Name										
601	R61 M91 668	G	Drain pump cover		1	1	1	1	1	1	W645424H02		
602	R63 M91 287	G	Drain sensor		1	1	1	1	1	1	W861228G07		
603	R61 E38 527	G	Hose for pump LVD		1	1	1	1	1	1	P645057X02		
604	R61 A75 218	G	Socket		1	1	1	1	1	1	W621301H01		
605	R63 6H4 539	G	Drain pump	PJD-05230MD-3	1	1	1	1	1	1	P722101X02		E

PLFY-P20,P25VLMD-E
 PLFY-P32,P40VLMD-E
 PLFY-P50,P63VLMD-E
 PLFY-P80,P100VLMD-E

DRAIN PUMP PARTS



No.	Part No.	G : RoHS Apply Only W : RoHS Apply by Running Change		Spec.	PLFY-P80VLMD-E	PLFY-P100VLMD-E				Dwg. No.	Price	Revision History
			Part Name									
601	R61 M91 668	G	Drain pump cover		1	1				W645424H02		
602	R63 M91 287	G	Drain sensor		1	1				W861228G07		
603	R61 E38 527	G	Hose for pump LVD		1	1				P645057X02		
604	R61 A75 218	G	Socket		1	1				W621301H01		
605	R63 6H4 539	G	Drain pump	PJD-05230MD-3	1	1				P722101X02		E

