

# **SERVICE PARTS LIST FOR MITSUBISHI ELECTRIC PACKAGED AIR-CONDITIONERS**

**Series PLFY-P -VLMD-A**

For use with the R407C & R22

**Feb. 2001**

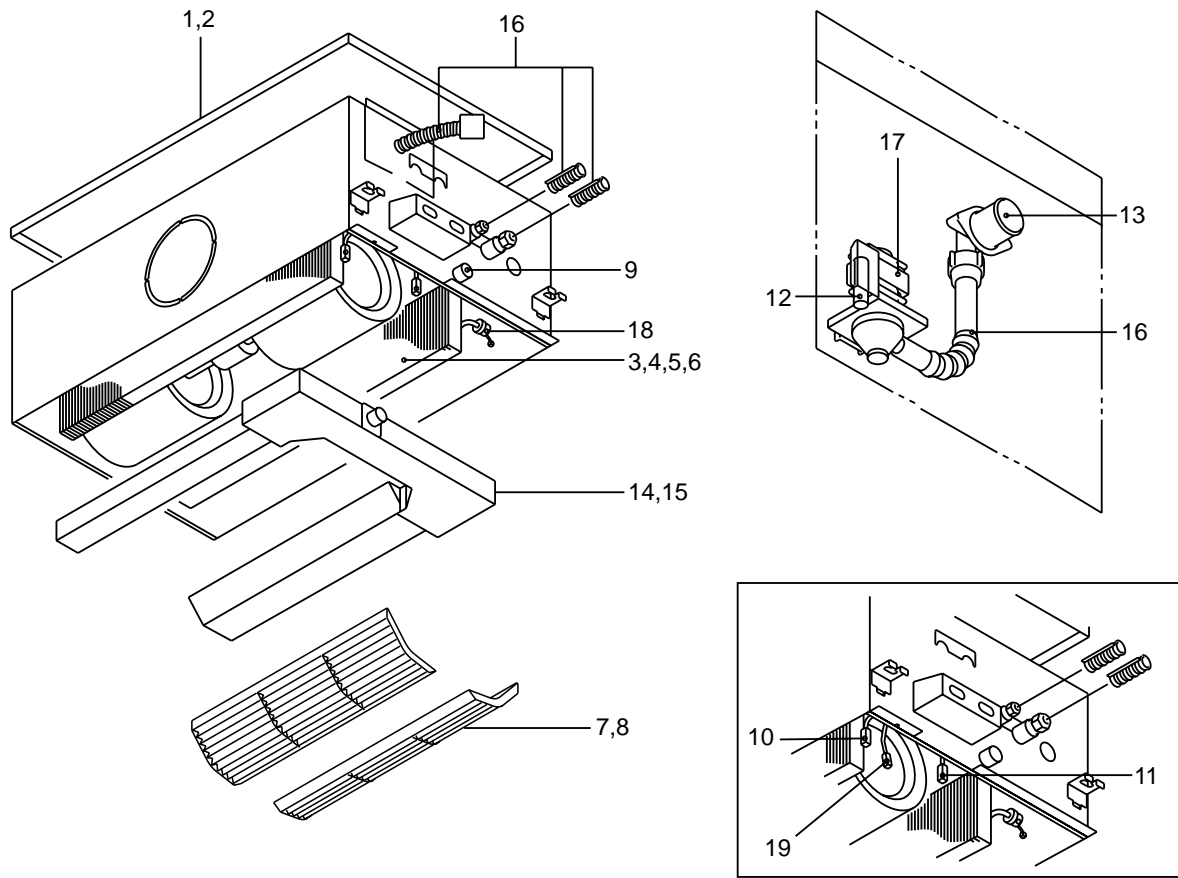
## **INDEX**

**PLFY-P(20,25,32,40,50)VLMD-A**

**PLFY-P(63,80)VLMD-A**

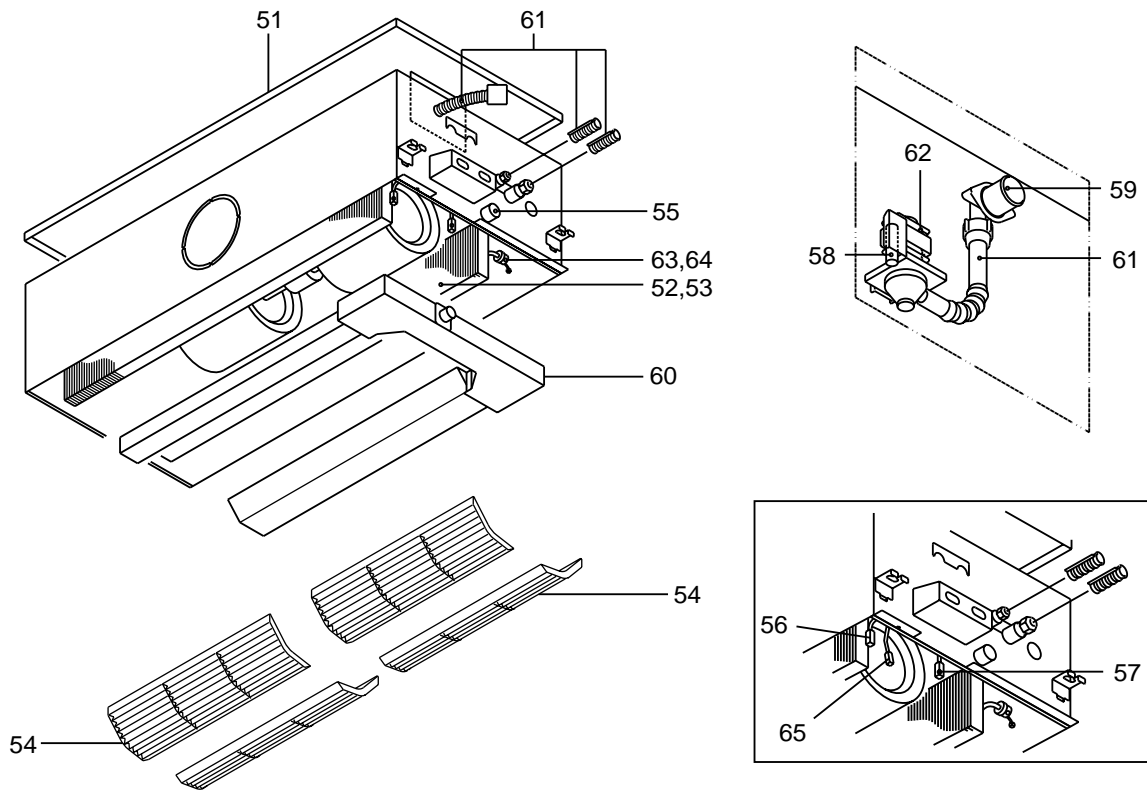
**PLFY-P(100,125)VLMD-A**

PLFY-P(20,25,32,40,50)VLMD-A  
EXTERNAL PARTS



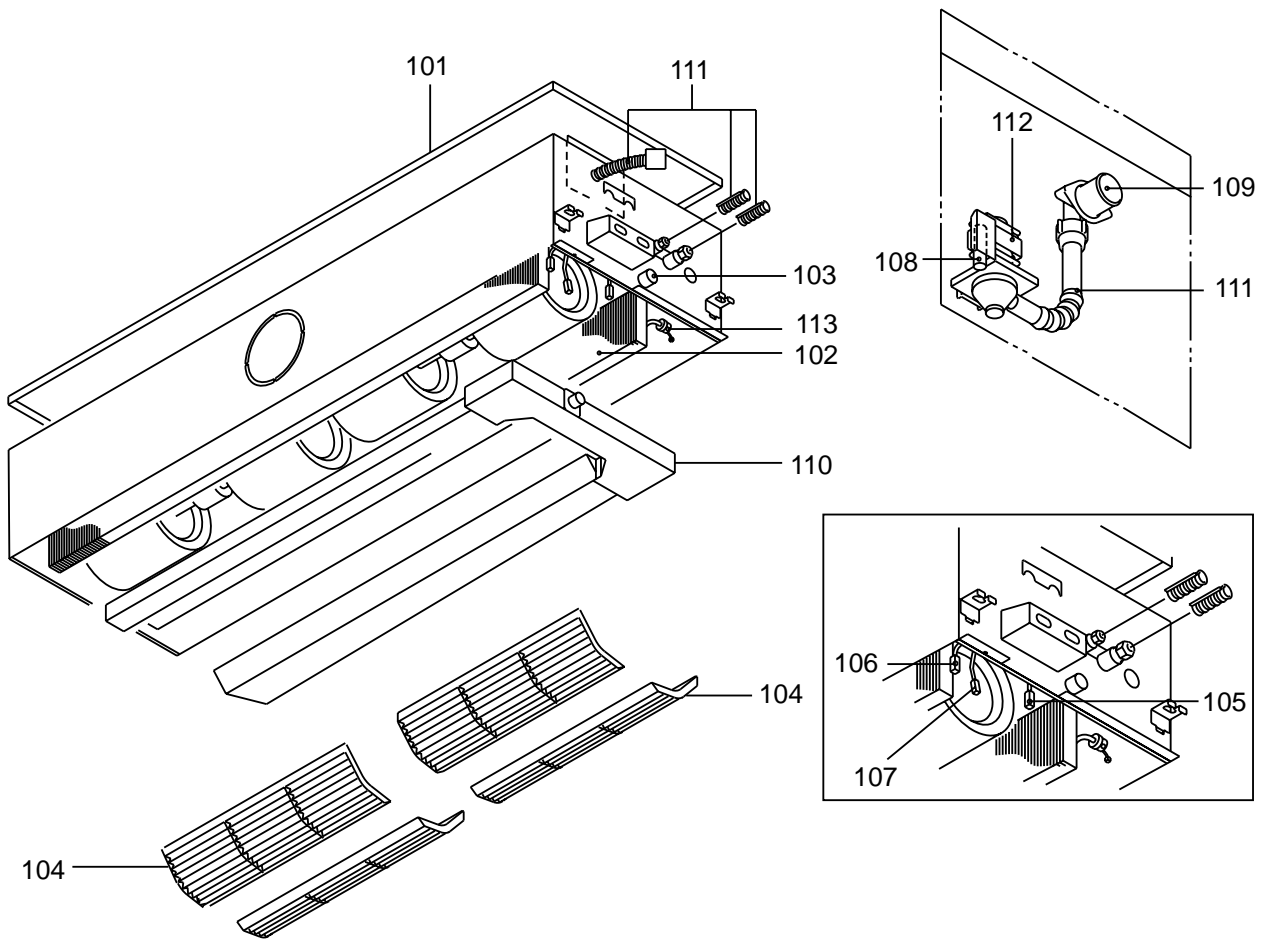
No.	Part No.	Part Name	Dwg. No.	Q'ty / Set					Spec.	Price
				PLFY -P20 VLMD-A	PLFY -P25 VLMD-A	PLFY -P32 VLMD-A	PLFY -P40 VLMD-A	PLFY -P50 VLMD-A		
1	R61 E38 642	Top panel ass'y	W622580G01	1	1	1				
2	R61 E40 642	Top panel ass'y	W622580G02				1	1		
3	R61 H28 480	Heat exchanger J28	W122274G44	1	1					
4	R61 H29 480	Heat exchanger J36	W122274G45			1				
5	R61 H30 480	Heat exchanger J45	W122274G46				1			
6	R61 H31 480	Heat exchanger J56	W122274G47					1		
7	R61 E38 500	Air filter 36	P717945X01	2	2	2				
8	R61 E40 500	Air filter 56	P717946X01				2	2		
9	R61 E96 558	Rubber stopper	P312040X01	1	1	1	1	1		
10	R61 E38 288	Sensor processing (liquid)	W860042G03	1	1	1	1	1	<TH22>	
11	R61 E38 287	Sensor processing (gas)	W860042G02	1	1	1	1	1	<TH23>	
12	R61 H86 289	Sensor ass'y	W861228G02	1	1	1	1	1	<DS>	
13	R61 A75 218	Socket	W621301H01	1	1	1	1	1		
14	R61 E38 529	Drain pan ass'y 36	W622592G16	1	1	1				
15	R61 E40 529	Drain pan ass'y 56	W622592G17				1	1		
16	R61 E38 525	Drain hose set	P645054X01	1	1	1	1	1		
17	R61 Y15 529	Drain pump LVD	P722057X01	1	1	1	1	1	<DP>	
18	R61 373 401	Linear expansion valve	P632256X01	1	1	1	1	1	<LEV>EDM-402	
19	R61 E96 288	Sensor processing (inlet)	W860042G04	1	1	1	1	1	<TH21>	

PLFY-P(63,80)VLMD-A  
EXTERNAL PARTS



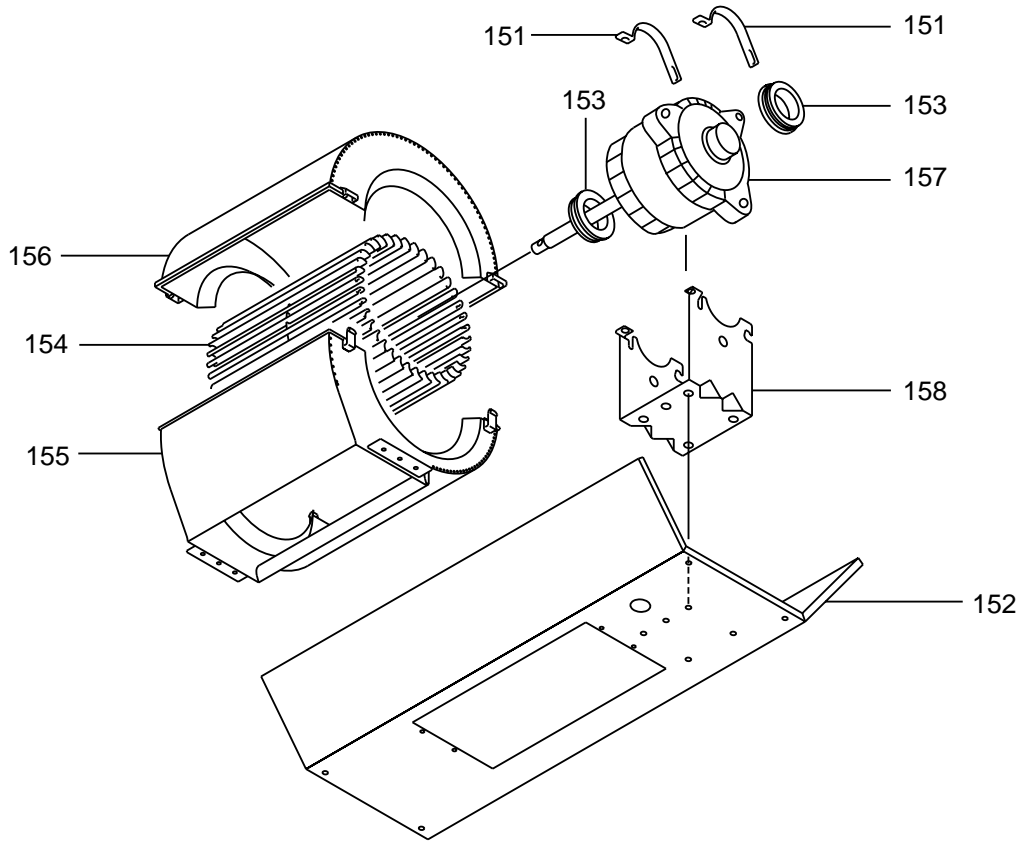
No.	Part No.	Part Name	Dwg. No.	Q'ty / Set				Spec.	Price
				PLFY -P63 VLMD-A	PLFY -P80 VLMD-A				
51	R61 E42 642	Top panel ass'y	W622580G03	1	1				
52	R61 H32 480	Heat exchanger J71	W122274G48	1					
53	R61 H33 480	Heat exchanger J80,90	W122274G49		1				
54	R61 E38 500	Air filter 36	P717945X01	4	4				
55	R61 E96 558	Rubber stopper	P312040X01	1	1				
56	R61 E38 288	Sensor processing (liquid)	W860042G03	1	1			<TH22>	
57	R61 E38 287	Sensor processing (gas)	W860042G02	1	1			<TH23>	
58	R61 H86 289	Drain sensor ass'y	W861228G02	1	1			<DS>	
59	R61 A75 218	Socket	W621301H01	1	1				
60	R61 E42 529	Drain pan ass'y 90	W622592G18	1	1				
61	R61 E38 525	Drain hose set	P645054X01	1	1				
62	R61 Y15 529	Drain pump LVD	P722057X01	1	1			<DP>	
63	R61 373 401	Linear expansion valve	P632256X01	1				<LEV>EDM-402	
64	R61 350 401	Linear expansion valve	P632258X01		1			<LEV>EDM-804	
65	R61 E96 288	Sensor processing (inlet)	W860042G04	1	1			<TH21>	

PLFY-P(100,125)VLMD-A  
EXTERNAL PARTS



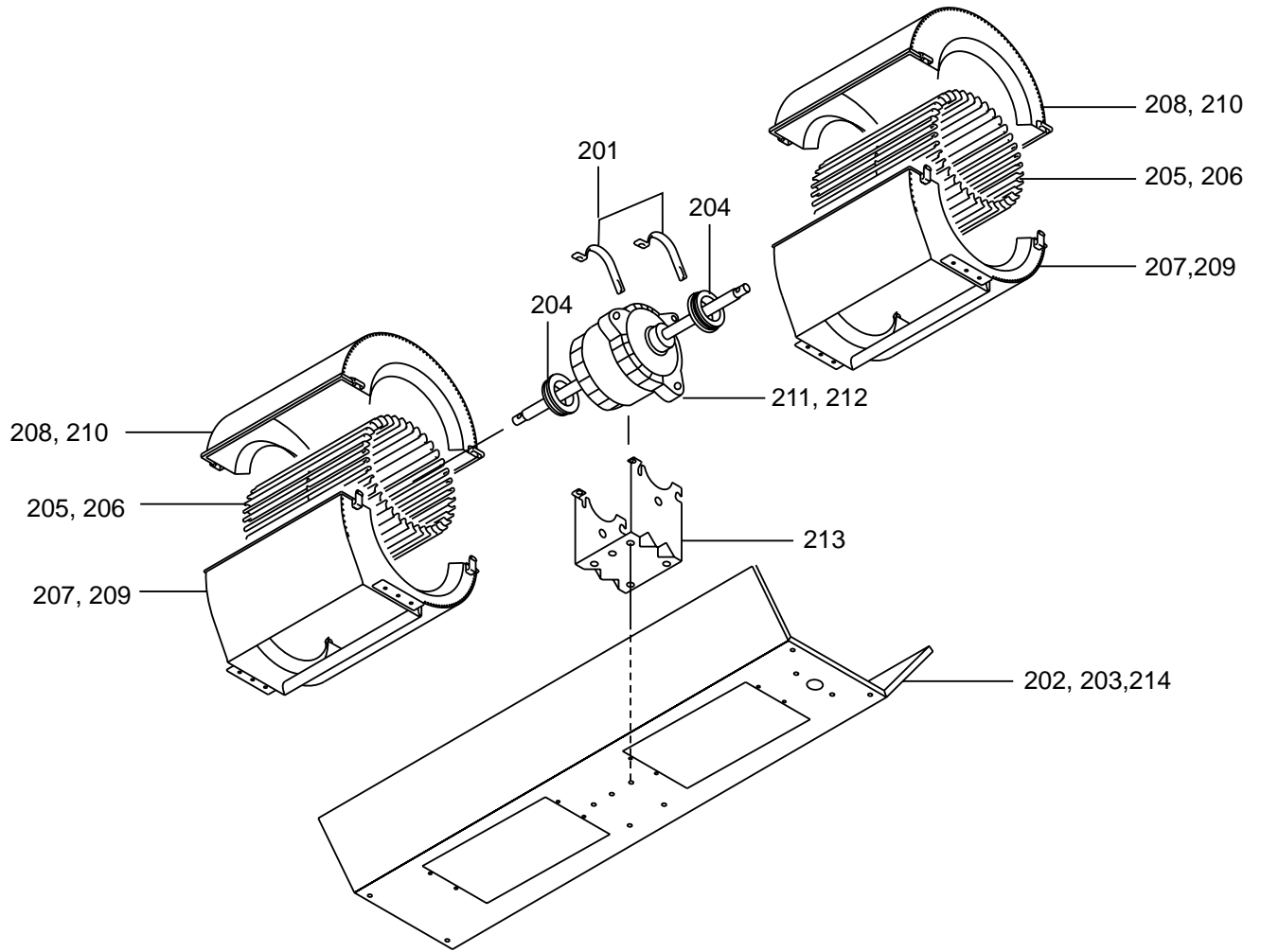
No.	Part No.	Part Name	Dwg. No.	Q'ty / Set				Spec.	Price
				PLFY -P100 VLMD-A	PLFY -P125 VLMD-A				
101	R61 E96 641	Top panel ass'y	W625343G01	1	1				
102	R61 H34 480	Heat exchanger ass'y J112	W122282G08	1	1				
103	R61 E96 558	Rubber stopper	P312040X01	1	1				
104	R61 E96 500	Air filter 112	P717990X01	4	4				
105	R61 E38 287	Sensor processing (gas)	W860042G02	1	1			<TH23>	
106	R61 E38 288	Sensor processing (liquid)	W860042G03	1	1			<TH22>	
107	R61 E96 288	Sensor processing (inlet)	W860042G04	1	1			<TH21>	
108	R61 H86 289	Drain sensor ass'y	W861228G02	1	1			<DS>	
109	R61 A75 218	Socket	W621301H01	1	1				
110	R61 E96 529	Drain pan ass'y 112	W622592G19	1	1				
111	R61 E38 525	Drain hose set	P645054X01	1	1				
112	R61 Y15 529	Drain pump LVD	P722057X01	1	1			<DP>	
113	R61 350 401	Linear expansion valve	P632258X01	1	1			<LEV>EDM-804	

PLFY-P(20,25,32)VLMD-A  
 BLOWER PARTS



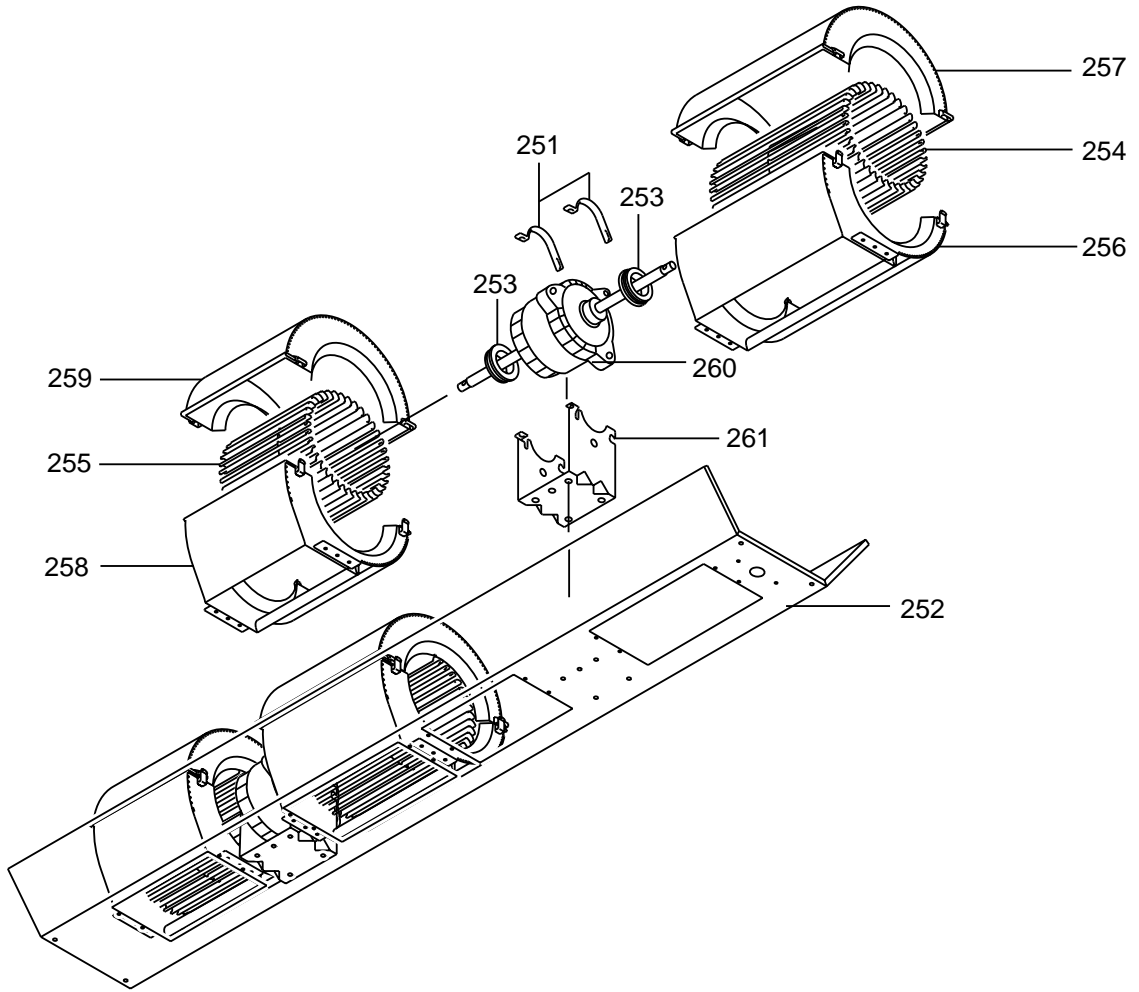
No.	Part No.	Part Name	Dwg. No.	Q'ty / Set			Spec.	Price
				PLFY -P20 VLMD-A	PLFY -P25 VLMD-A	PLFY -P32 VLMD-A		
151	R61 652 131	Fixing plate	W353715H01	2	2	2		
152	R61 E38 141	Fan stand ass'y 20,32	W622583G01	1	1	1		
153	R61 975 104	Rubber bush (CR,grey)	W843446H01	2	2	2		
154	R61 G21 114	Sirocco fan (180-230)	W122297G01	1	1	1		
155	R61 E38 109	Fan casing (180-230)	W126411G02	1	1	1		
156	R61 E39 109	Fan casing (180-230)	W126412G02	1	1	1		
157	R61 978 221	Motor (33W 4P)	W621386G01	1	1	1	<MF>33W,1PHASE,200V	
158	R61 E38 130	Motor support	W260434H02	1	1	1		

PLFY-P(40,50,63,80)VLMD-A  
BLOWER PARTS



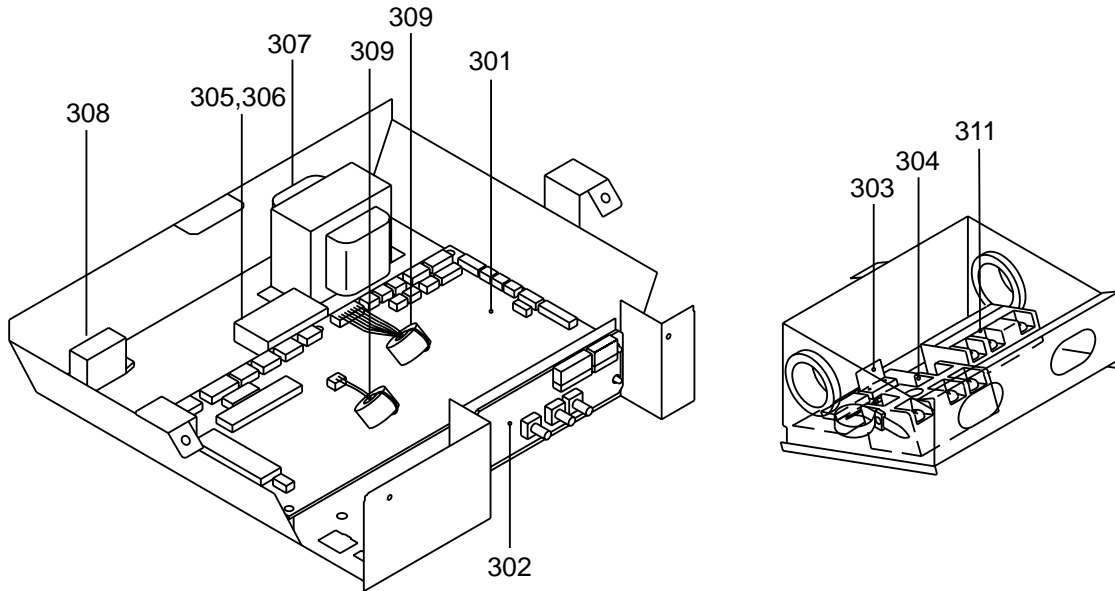
No.	Part No.	Part Name	Dwg. No.	Q'ty / Set				Spec.	Price
				PLFY -P40 VLMD-A	PLFY -P50 VLMD-A	PLFY -P63 VLMD-A	PLFY -P80 VLMD-A		
201	R61 652 131	Fixing plate	W353715H01	2	2	2	2		
202	R61 E40 141	Fan stand ass'y 56	W622583G02	1	1				
203	R61 E42 141	Fan stand ass'y 63	W622583G03			1			
204	R61 979 104	Rubber bush (CR,black)	W843446H02	2	2	2	2		
205	R61 G22 114	Sirocco fan (180-180)	W122296G01	2	2				
206	R61 G21 114	Sirocco fan (180-230)	W122297G01			2	2		
207	R61 E40 109	Fan casing (180-180)	W126411G01	2	2				
208	R61 E41 109	Fan casing (180-180)	W126412G01	2	2				
209	R61 E38 109	Fan casing (180-230)	W126411G02			2	2		
210	R61 E39 109	Fan casing (180-230)	W126412G02			2	2		
211	R61 979 220	Motor (75W 4P)	P714079X02	1	1			<MF>75W,1PHASE,220V	
212	R61 980 220	Motor (78W 4P)	P714078X02			1	1	<MF>78W,1PHASE,220V	
213	R61 E38 130	Motor support	W260434H02	1	1	1	1		
214	R61 E43 141	Fan stand ass'y 80	W622583G04				1		

PLFY-P(100,125)VLMD-A  
 BLOWER PARTS



No.	Part No.	Part Name	Dwg. No.	Q'ty / Set				Spec.	Price
				PLFY -P100 VLMD-A	PLFY -P125 VLMD-A				
251	R61 652 131	Fixing plate	W353715H01	4	4				
252	R61 E96 141	Fan stand ass'y 112	W625341G01	1	1				
253	R61 979 104	Rubber bush (CR,black)	W843446H02	4	4				
254	R61 G21 114	Sirocco fan (180-230)	W122297G01	2	2				
255	R61 G22 114	Sirocco fan (180-180)	W122296G01	2	2				
256	R61 E38 109	Fan casing (180-230)	W126411G02	2	2				
257	R61 E39 109	Fan casing (180-230)	W126412G02	2	2				
258	R61 E40 109	Fan casing (180-180)	W126411G01	2	2				
259	R61 E41 109	Fan casing (180-180)	W126412G01	2	2				
260	R61 E96 220	Motor	P714426X01	2	2			<MF>78W,1PHASE,220V	
261	R61 E38 130	Motor support	W260434H02	2	2				

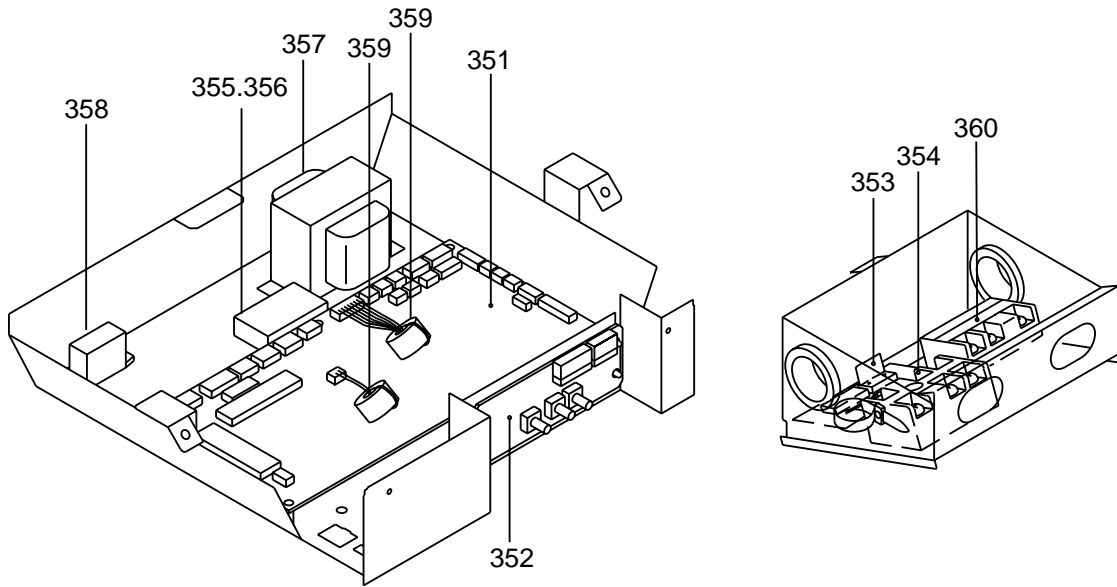
PLFY-P(20,25,32,40,50)VLMD-A  
CONTROL BOX PARTS



No.	Part No.	Part Name	Dwg. No.	Q'ty / Set					Spec.	Price
				PLFY -P20 VLMD-A	PLFY -P25 VLMD-A	PLFY -P32 VLMD-A	PLFY -P40 VLMD-A	PLFY -P50 VLMD-A		
301	R61 Y76 280	Board ass'y (PC)	W849036G04	1	1	1	1	1	<I.B>	
302	R61 Y77 280	Board ass'y (AD)	W849036G06	1	1	1	1	1	<A.B>	
303	R61 Y22 280	Board ass'y (DSA)	W848419G01	1	1	1	1	1	<S.B>	
304	R61 Y08 715	Terminal bed	P436157X01	1	1	1	1	1	<TB2>	
305	R61 F78 252	Condenser 2.5	P412213X01	1	1	1			<C>(440VAC,2.5μF)	
306	R61 F79 252	Condenser 5	P412214X01				1	1	<C>(440VAC,5μF)	
307	R61 Y08 260	Transformer	P715268X02	1	1	1	1	1	<T>(240V/23.5V-0.9A)	
308	R40 924 963	Relay (G2R)	P421187X01	1	1	1	1	1	<X>	
309	R61 Y01 015	Troidal ferrite clamp	P419042X01	2	2	2	2	2	<FB1,2>	
310	R61 Y08 252	Condenser 4	P412209X01					1	<C>(440VAC,4μF)	
311	R61 336 246	Terminal bed	P436114X03	1	1	1	1	1	<TB5>,<TB15>	

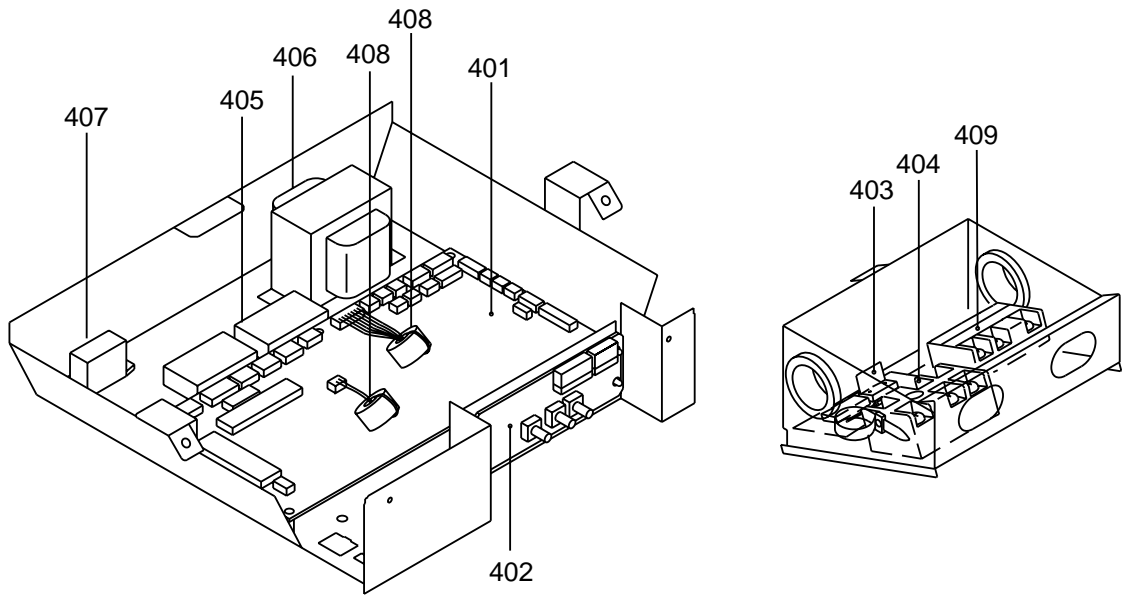


PLFY-P(63,80)VLMD-A  
CONTROL BOX PARTS



No.	Part No.	Part Name	Dwg. No.	Q'ty / Set				Spec.	Price
				PLFY -P63 VLMD-A	PLFY -P80 VLMD-A				
351	R61 Y76 280	Board ass'y (PC)	W849036G04	1	1			<I.B>	
352	R61 Y77 280	Board ass'y (AD)	W849036G06	1	1			<A.B>	
353	R61 Y22 280	Board ass'y (DSA)	W848419G01	1	1			<S.B>	
354	R61 Y08 715	Terminal bed	P436157X01	1	1				
355	R61 F80 252	Condenser 6	P412216X01	1				<C>(440VAC,6μF)	
356	R61 F79 252	Condenser 5	P412214X01		1			<C>(440VAC,5μF)	
357	R61 Y08 260	Transformer	P715268X02	1	1			<T>(240V/23.5V-0.9A)	
358	R40 924 963	Relay (G2R)	P421187X01	1	1			<X>	
359	R61 Y01 015	Troidal ferrite cramp	P419042X01	2	2			<FB1,2>	
360	R61 336 246	Terminal bed	P436114X03	1	1			<TB5>,<TB15>	

PLFY-P(100,125)VLMD-A  
CONTROL BOX PARTS



No.	Part No.	Part Name	Dwg. No.	Q'ty / Set				Spec.	Price
				PLFY -P100 VLMD	PLFY -P125 VLMD				
401	R61 Y76 280	Board ass'y (PC)	W849036G04	1	1			<I.B>	
402	R61 Y77 280	Board ass'y (AD)	W849036G06	1	1			<A.B>	
403	R61 Y22 280	Board ass'y (DSA)	W848419G01	1	1			<S.B>	
404	R61 Y08 715	Terminal bed	P436157X01	1	1			<TB2>	
405	R61 F79 252	Condenser 5	P412214X01	2	2			<C1,2>(440VAC,5μF)	
406	R61 Y08 260	Transformer	P715268X02	1	1			<T>(240V/23.5V-0.9A)	
407	R40 924 963	Relay (G2R)	P421187X01	1	1			<X>	
408	R61 Y01 015	Troidal ferrite cramp	P419042X01	2	2			<FB1,2>	
409	R61 336 246	Terminal bed	P436114X03	1	1			<TB5>,<TB15>	

