

CONTENTS

1. Specifications I -114

2. Capacity Tables I -115

 2.1a. Cooling capacity in combination with PUHY,PUY,PURY-P200,250YGM I -115

 2.1b. Heating capacity in combination with PUHY,PUY,PURY-P200,250YGM I -116

 2.2a. Cooling capacity in combination with PUHY,PUY,PURY-P300,350,400YGM I -117

 2.2b. Heating capacity in combination with PUHY,PUY,PURY-P300,350,400YGM I -118

 2.3a. Cooling capacity in combination with PUHY,PURY-P500,650YGM I -119

 2.3b. Heating capacity in combination with PUHY,PURY-P500,650YGM I -120

3. Sound Levels I -121

 3.1 Noise levels I -121

 3.2 NC curves I -121

4. External Dimensions I -122

5. Electrical Wiring Diagrams I -123

6. Temperature/Airflow distribution I -124

 6.1 Temperature distribution I -124

 6.2 Airflow distribution I -124

7. Options I -125

Model Name	20	25	32	40	50	63	71	80	100	125	140	200	250
PLFY-P-VAM-E			●	●	●	●		●	●	●			

1. Specifications

			PLFY-P32VAM-E	PLFY-P40VAM-E	PLFY-P50VAM-E	PLFY-P63VAM-E
Power source			~ 220-240V 50Hz / ~ 220V 60Hz			
Cooling capacity	*1	kW	3.6	4.5	5.6	7.1
	*1	BTU/h	12,280	15,350	19,100	24,220
	*2	kW	3.7	4.7	5.8	7.3
	*2	kcal/h	3,150	4,000	5,000	6,300
Heating capacity	*1	kW	4.0	5.0	6.3	8.0
	*1	BTU/h	13,640	17,060	21,500	27,290
	*2	kW	4.1	5.2	6.5	8.3
	*2	kcal/h	3,550	4,500	5,600	7,100
Power consumption	Cooling	kW	0.14			0.16
	Heating	kW	0.12			0.16
Current	Cooling	A	0.59			0.78
	Heating	A	0.59			0.78
External finish(Munsel No.)			Panel : 0.70Y 8.59/0.97			
Dimension H x W x D *3		mm	258(30) x 840(950) x 840(950)			
Net weight *3		kg	22(5)			24(5)
Heat exchanger			Cross fin (Aluminum plate fin and copper tube)			
Fan	Type		Turbo fan			
	Airflow rate *3 (Low-Mid2-Mid1-High)	m ³ /min	11-12-13-14	12-13-14-16		14-15-16-18
	External static pressure		Pa	0		
Motor	Type		Single phase induction motor			
	Output		kW			
Air filter		PP Honeycomb				
Refrigerant pipe dimension	Gas (Flare)	mm	ø 12.7		ø 12.7 / ø 15.88 (Compatible)	ø 15.88
	Liquid (Flare)	mm	ø 6.35		ø 6.35 / ø 9.52 (Compatible)	ø 9.52
Drain pipe dimension			O.D. ø32 (VP-25)			
Noise level (Lo-Mid2-Mid1-Hi) *3 *4		dB(A)	27-28-29-31	27-28-30-32		28-29-31-33

			PLFY-P80VAM-E	PLFY-P100VAM-E	PLFY-P125VAM-E	
Power source			~ 220-240V 50Hz / ~ 220V 60Hz			
Cooling capacity	*1	kW	9.0	11.2	14.0	
	*1	BTU/h	30,700	38,200	47,750	
	*2	kW	9.3	11.6	14.5	
	*2	kcal/h	8,000	10,000	12,500	
Heating capacity	*1	kW	10.0	12.5	16.0	
	*1	BTU/h	34,120	42,650	54,580	
	*2	kW	10.5	13.0	16.3	
	*2	kcal/h	9,000	11,200	14,000	
Power consumption	Cooling	kW	0.18			0.34
	Heating	kW	0.18			0.34
Current	Cooling	A	0.86			1.64
	Heating	A	0.86			1.64
External finish(Munsel No.)			Panel : 0.70Y 8.59/0.97			
Dimension H x W x D *3		mm	258(30) x 840(950) x 840(950)	298(30) x 840(950) x 840(950)		
Net weight *3		kg	24(5)	32(5)	32(5)	
Heat exchanger			Cross fin (Aluminum plate fin and copper tube)			
Fan	Type		Turbo fan			
	Airflow rate *3 (Low-Mid2-Mid1-High)	m ³ /min	16-18-20-22	19-22-25-27		21-24-27-29
	External static pressure		Pa	0		
Motor	Type		Single phase induction motor			
	Output		kW		0.120	
Air filter			PP Honeycomb			
Refrigerant pipe dimension	Gas (Flare)	mm	ø 15.88		ø 15.88 / ø 19.05 (Compatible)	
	Liquid (Flare)	mm	ø 9.52			
Drain pipe dimension			O.D. ø32 (VP-25)			
Noise level (Lo-Mid2-Mid1-Hi) *3 *4		dB(A)	30-32-35-37	33-36-39-41		35-38-41-43

Note: *1 Cooling/Heating capacity indicates the maximum value at operation under the following condition.

Cooling : Indoor 27 °CDB/19 °CWB, Outdoor 35 °CDB

Heating : Indoor 20 °CDB, Outdoor 7 °CDB/6 °CWB

*2 Cooling capacity indicates the maximum value at operation under the following condition.

Cooling : Indoor 27 °CDB/19.5 °CWB, Outdoor 35 °CDB (WR2: water 30 °C)

Heating : Indoor 21 °CDB, Outdoor 7 °CDB/6 °CWB (WR2: water 20 °C)

*3 External dimension/ net weight are shown in (unit/panel) , and airflow rate/noise level are in (low-middle2-middle1-high).

*4 It is measured in anechoic room.

2. Capacity Tables

2.1a. Cooling capacity in combination with PUHY,PUY,PURY-P200,250YGM

CA :Capacity(kW)
SHC:Sensible Heat Capacity(kW)

PLFY-P-VAM-E

Unit size (Rated kW)	Outdoor air temp. °CDB	Indoor air temp.													
		21.5°CDB 15°CWB		23°CDB 16°CWB		25°CDB 18°CWB		27°CDB 19°CWB		28°CDB 20°CWB		30°CDB 22°CWB		32°CDB 24°CWB	
		CA	SHC	CA	SHC	CA	SHC	CA	SHC	CA	SHC	CA	SHC	CA	SHC
32 (3.6)	20.0	3.4	2.8	3.5	2.9	3.8	2.9	3.9	2.9	4.0	3.1	4.2	3.0	4.6	3.0
	22.5	3.4	2.8	3.5	2.9	3.8	2.9	3.9	2.9	4.0	3.1	4.2	3.0	4.6	3.0
	25.0	3.4	2.8	3.5	2.9	3.8	2.9	3.9	2.9	4.0	3.0	4.2	3.0	4.5	3.0
	27.5	3.4	2.8	3.5	2.9	3.7	2.9	3.8	2.9	3.9	3.0	4.1	3.0	4.4	2.9
	30.0	3.3	2.8	3.4	2.9	3.6	2.8	3.7	2.9	3.8	3.0	4.0	2.9	4.3	2.9
	32.5	3.3	2.7	3.4	2.8	3.6	2.8	3.7	2.8	3.8	3.0	4.0	2.9	4.2	2.9
	35.0	3.2	2.7	3.3	2.8	3.5	2.8	3.6	2.8	3.7	2.9	3.9	2.9	4.1	2.9
	37.5	3.2	2.7	3.2	2.8	3.4	2.7	3.5	2.8	3.6	2.9	3.8	2.9	4.0	2.8
	40.0	3.1	2.7	3.2	2.7	3.4	2.7	3.5	2.8	3.6	2.9	3.7	2.8	4.0	2.8
43.0	3.0	2.6	3.1	2.7	3.3	2.7	3.3	2.7	3.5	2.8	3.6	2.8	3.9	2.8	
40 (4.5)	20.0	4.3	3.5	4.4	3.6	4.7	3.6	4.9	3.6	5.0	3.8	5.3	3.7	5.7	3.7
	22.5	4.3	3.5	4.4	3.6	4.7	3.6	4.9	3.6	5.0	3.8	5.3	3.7	5.7	3.7
	25.0	4.3	3.5	4.4	3.6	4.7	3.6	4.9	3.6	5.0	3.8	5.3	3.7	5.6	3.7
	27.5	4.3	3.5	4.4	3.6	4.6	3.5	4.8	3.6	4.9	3.7	5.2	3.7	5.5	3.6
	30.0	4.2	3.4	4.3	3.5	4.6	3.5	4.7	3.6	4.8	3.7	5.0	3.6	5.4	3.6
	32.5	4.1	3.4	4.2	3.5	4.5	3.5	4.6	3.5	4.7	3.7	5.0	3.6	5.3	3.6
	35.0	4.0	3.4	4.1	3.5	4.4	3.4	4.5	3.5	4.6	3.6	4.9	3.6	5.2	3.5
	37.5	3.9	3.3	4.1	3.4	4.3	3.4	4.4	3.5	4.5	3.6	4.8	3.5	5.0	3.5
	40.0	3.9	3.3	4.0	3.4	4.2	3.4	4.3	3.4	4.5	3.6	4.7	3.5	5.0	3.5
43.0	3.8	3.2	3.9	3.4	4.1	3.3	4.2	3.4	4.3	3.5	4.5	3.5	4.8	3.4	
50 (5.6)	20.0	5.3	4.0	5.5	4.1	5.9	4.1	6.0	4.2	6.2	4.3	6.6	4.3	7.1	4.2
	22.5	5.3	4.0	5.5	4.1	5.9	4.1	6.0	4.2	6.2	4.3	6.6	4.3	7.1	4.2
	25.0	5.3	4.0	5.5	4.1	5.9	4.1	6.0	4.2	6.2	4.3	6.6	4.3	6.9	4.2
	27.5	5.3	4.0	5.5	4.1	5.8	4.1	5.9	4.1	6.1	4.3	6.4	4.2	6.8	4.1
	30.0	5.2	4.0	5.3	4.1	5.7	4.0	5.8	4.1	6.0	4.2	6.3	4.1	6.7	4.1
	32.5	5.1	3.9	5.3	4.0	5.5	4.0	5.7	4.0	5.9	4.2	6.2	4.1	6.6	4.0
	35.0	5.0	3.9	5.2	4.0	5.5	3.9	5.6	4.0	5.7	4.1	6.0	4.1	6.4	4.0
	37.5	4.9	3.8	5.0	3.9	5.3	3.9	5.5	3.9	5.6	4.1	5.9	4.0	6.3	3.9
	40.0	4.8	3.8	5.0	3.9	5.3	3.8	5.4	3.9	5.5	4.0	5.8	4.0	6.2	3.9
43.0	4.7	3.7	4.8	3.8	5.1	3.8	5.2	3.8	5.4	4.0	5.7	3.9	6.0	3.9	
63 (7.1)	20.0	6.7	5.0	7.0	5.2	7.5	5.2	7.7	5.2	7.9	5.4	8.4	5.3	9.0	5.3
	22.5	6.7	5.0	7.0	5.2	7.5	5.2	7.7	5.2	7.9	5.4	8.4	5.3	9.0	5.3
	25.0	6.7	5.0	7.0	5.2	7.5	5.2	7.7	5.2	7.8	5.4	8.3	5.3	8.8	5.2
	27.5	6.7	5.0	6.9	5.2	7.3	5.1	7.5	5.2	7.7	5.4	8.1	5.2	8.7	5.2
	30.0	6.6	5.0	6.8	5.1	7.2	5.0	7.4	5.1	7.6	5.3	8.0	5.2	8.5	5.1
	32.5	6.5	4.9	6.7	5.0	7.0	5.0	7.2	5.0	7.4	5.2	7.8	5.1	8.3	5.1
	35.0	6.4	4.8	6.5	5.0	6.9	4.9	7.1	5.0	7.3	5.2	7.7	5.1	8.1	5.0
	37.5	6.2	4.8	6.4	4.9	6.8	4.9	6.9	4.9	7.1	5.1	7.5	5.0	8.0	4.9
	40.0	6.1	4.7	6.3	4.9	6.7	4.8	6.8	4.9	7.0	5.1	7.3	5.0	7.8	4.9
43.0	6.0	4.6	6.1	4.8	6.5	4.7	6.6	4.8	6.8	5.0	7.2	4.9	7.6	4.8	
80 (9.0)	20.0	8.6	6.2	8.9	6.4	9.5	6.4	9.7	6.5	10.0	6.7	10.6	6.6	11.4	6.5
	22.5	8.6	6.2	8.9	6.4	9.5	6.4	9.7	6.5	10.0	6.7	10.6	6.6	11.4	6.5
	25.0	8.6	6.2	8.9	6.4	9.5	6.4	9.7	6.5	9.9	6.7	10.5	6.6	11.2	6.5
	27.5	8.5	6.2	8.8	6.4	9.3	6.3	9.5	6.4	9.8	6.6	10.3	6.5	11.0	6.4
	30.0	8.4	6.1	8.6	6.3	9.1	6.2	9.4	6.3	9.6	6.5	10.1	6.4	10.8	6.3
	32.5	8.2	6.0	8.5	6.2	8.9	6.1	9.1	6.2	9.4	6.4	9.9	6.3	10.5	6.2
	35.0	8.1	6.0	8.3	6.1	8.8	6.1	9.0	6.1	9.2	6.4	9.7	6.2	10.3	6.1
	37.5	7.9	5.9	8.1	6.1	8.6	6.0	8.8	6.0	9.0	6.3	9.5	6.2	10.1	6.1
	40.0	7.7	5.8	8.0	6.0	8.5	5.9	8.6	6.0	8.9	6.2	9.3	6.1	9.9	6.0
43.0	7.6	5.7	7.8	5.9	8.2	5.8	8.4	5.9	8.6	6.1	9.1	6.0	9.6	5.9	
100 (11.2)	20.0	10.6	7.4	11.0	7.6	11.8	7.6	12.1	7.6	12.5	7.9	13.2	7.8	14.2	7.7
	22.5	10.6	7.4	11.0	7.6	11.8	7.6	12.1	7.6	12.5	7.9	13.2	7.8	14.2	7.7
	25.0	10.6	7.4	11.0	7.6	11.8	7.6	12.1	7.6	12.4	7.8	13.1	7.7	13.9	7.6
	27.5	10.6	7.4	10.9	7.5	11.5	7.4	11.9	7.5	12.2	7.7	12.8	7.6	13.7	7.5
	30.0	10.4	7.3	10.7	7.4	11.3	7.3	11.6	7.4	11.9	7.6	12.5	7.5	13.4	7.4
	32.5	10.2	7.2	10.5	7.3	11.1	7.2	11.4	7.3	11.7	7.5	12.3	7.4	13.1	7.3
	35.0	10.0	7.1	10.3	7.2	10.9	7.1	11.2	7.2	11.5	7.4	12.1	7.3	12.8	7.2
	37.5	9.8	7.0	10.1	7.1	10.7	7.0	10.9	7.1	11.3	7.3	11.9	7.2	12.5	7.1
	40.0	9.6	6.9	9.9	7.0	10.5	7.0	10.8	7.0	11.1	7.2	11.6	7.1	12.3	7.0
43.0	9.4	6.7	9.7	6.9	10.2	6.8	10.4	6.8	10.8	7.1	11.3	7.0	12.0	6.9	
125 (14.0)	20.0	13.3	9.2	13.8	9.4	14.7	9.4	15.1	9.4	15.6	9.8	16.5	9.6	17.7	9.5
	22.5	13.3	9.2	13.8	9.4	14.7	9.4	15.1	9.4	15.6	9.8	16.5	9.6	17.7	9.5
	25.0	13.3	9.2	13.8	9.4	14.7	9.4	15.1	9.4	15.5	9.7	16.4	9.6	17.4	9.4
	27.5	13.2	9.1	13.7	9.4	14.4	9.2	14.8	9.3	15.3	9.6	16.0	9.4	17.1	9.3
	30.0	13.0	9.0	13.4	9.2	14.2	9.1	14.6	9.2	14.9	9.4	15.7	9.3	16.7	9.2
	32.5	12.7	8.9	13.2	9.1	13.9	9.0	14.2	9.0	14.6	9.3	15.4	9.1	16.4	9.0
	35.0	12.5	8.8	12.9	9.0	13.7	8.9	14.0	8.9	14.4	9.2	15.1	9.0	16.0	8.9
	37.5	12.3	8.6	12.6	8.8	13.4	8.7	13.7	8.7	14.1	9.1	14.8	8.9	15.7	8.7
	40.0	12.0	8.5	12.4	8.7	13.2	8.6	13.4	8.7	13.9	9.0	14.5	8.8	15.4	8.6
43.0	11.8	8.4	12.1	8.6	12.8	8.5	13.0	8.5	13.4	8.8	14.1	8.6	15.0	8.5	

PLFY-P-VAM-E

2.1b. Heating capacity in combination with PUHY,PUY,PURY-P200,250YGM

PLFY-P-VAM-E

SHC:Sensible Heat Capacity(kW)

Unit size (Rated kW)	Outdoor air temp. °CWB	Indoor air temp.:°CDB			
		15.0 SHC	20.0 SHC	25.0 SHC	27.0 SHC
32 (3.6)	-20.0	2.1	2.0	2.0	2.0
	-15.0	2.5	2.4	2.4	2.4
	-10.0	2.9	2.9	2.8	2.7
	-5.0	3.4	3.3	3.2	2.8
	0.0	3.8	3.8	3.2	2.8
	2.5	4.0	4.0	3.2	2.8
	6.0	4.2	4.0	3.2	2.8
	7.5	4.3	4.0	3.2	2.8
	10.0	4.6	4.0	3.2	2.8
	12.5	4.8	4.0	3.2	2.8
15.5	5.1	4.0	3.2	2.8	
40 (4.5)	-20.0	2.6	2.5	2.5	2.5
	-15.0	3.1	3.1	3.0	3.0
	-10.0	3.7	3.6	3.5	3.4
	-5.0	4.2	4.2	4.0	3.5
	0.0	4.7	4.7	4.0	3.5
	2.5	5.0	5.0	4.0	3.5
	6.0	5.2	5.0	4.0	3.5
	7.5	5.4	5.0	4.0	3.5
	10.0	5.7	5.0	4.0	3.5
	12.5	6.0	5.0	4.0	3.5
15.5	6.4	5.0	4.0	3.5	
50 (5.6)	-20.0	3.2	3.2	3.2	3.2
	-15.0	3.9	3.8	3.8	3.7
	-10.0	4.6	4.5	4.4	4.3
	-5.0	5.3	5.2	5.0	4.4
	0.0	6.0	5.9	5.0	4.4
	2.5	6.3	6.2	5.0	4.4
	6.0	6.6	6.3	5.0	4.4
	7.5	6.8	6.3	5.0	4.4
	10.0	7.2	6.3	5.0	4.4
	12.5	7.6	6.3	5.0	4.4
15.5	8.1	6.3	5.0	4.4	
63 (7.1)	-20.0	4.1	4.0	4.0	4.0
	-15.0	5.0	4.9	4.8	4.7
	-10.0	5.8	5.8	5.6	5.5
	-5.0	6.7	6.6	6.4	5.6
	0.0	7.6	7.5	6.4	5.6
	2.5	8.0	7.9	6.4	5.6
	6.0	8.3	8.0	6.4	5.6
	7.5	8.6	8.0	6.4	5.6
	10.0	9.1	8.0	6.4	5.6
	12.5	9.6	8.0	6.4	5.6
15.5	10.2	8.0	6.4	5.6	
80 (9.0)	-20.0	5.2	5.0	5.0	5.0
	-15.0	6.2	6.1	6.0	5.9
	-10.0	7.3	7.2	7.0	6.9
	-5.0	8.4	8.3	8.0	7.0
	0.0	9.5	9.4	8.0	7.0
	2.5	10.0	9.9	8.0	7.0
	6.0	10.4	10.0	8.0	7.0
	7.5	10.8	10.0	8.0	7.0
	10.0	11.4	10.0	8.0	7.0
	12.5	12.1	10.0	8.0	7.0
15.5	12.8	10.0	8.0	7.0	
100 (11.2)	-20.0	6.4	6.3	6.3	6.3
	-15.0	7.8	7.6	7.5	7.4
	-10.0	9.1	9.0	8.8	8.6
	-5.0	10.5	10.4	10.0	8.8
	0.0	11.8	11.8	10.0	8.8
	2.5	12.5	12.4	10.0	8.8
	6.0	13.0	12.5	10.0	8.8
	7.5	13.4	12.5	10.0	8.8
	10.0	14.3	12.5	10.0	8.8
	12.5	15.1	12.5	10.0	8.8
15.5	16.0	12.5	10.0	8.8	
125 (14.0)	-20.0	8.2	8.0	8.0	8.0
	-15.0	9.9	9.8	9.6	9.4
	-10.0	11.7	11.5	11.2	11.0
	-5.0	13.4	13.3	12.8	11.2
	0.0	15.1	15.0	12.8	11.2
	2.5	16.0	15.8	12.8	11.2
	6.0	16.6	16.0	12.8	11.2
	7.5	17.2	16.0	12.8	11.2
	10.0	18.2	16.0	12.8	11.2
	12.5	19.3	16.0	12.8	11.2
15.5	20.5	16.0	12.8	11.2	

PLFY-P-VAM-E

2.2a. Cooling capacity in combination with PUHY,PUY,PURY-P300,350,400YGM

PLFY-P-VAM-E CA :Capacity(kW)
SHC:Sensible Heat Capacity(kW)

Unit size (Rated kW)	Outdoor air temp. °CDB	Indoor air temp.													
		21.5°CDB 15°CWB		23°CDB 16°CWB		25°CDB 18°CWB		27°CDB 19°CWB		28°CDB 20°CWB		30°CDB 22°CWB		32°CDB 24°CWB	
		CA	SHC	CA	SHC	CA	SHC	CA	SHC	CA	SHC	CA	SHC	CA	SHC
32 (3.6)	20.0	3.5	2.8	3.6	2.9	3.9	2.9	4.0	3.0	4.2	3.1	4.4	3.1	4.7	3.0
	22.5	3.5	2.8	3.6	2.9	3.8	2.9	4.0	3.0	4.1	3.1	4.3	3.1	4.6	3.0
	25.0	3.4	2.8	3.5	2.9	3.8	2.9	3.9	2.9	4.0	3.1	4.2	3.0	4.5	3.0
	27.5	3.4	2.8	3.5	2.9	3.7	2.8	3.8	2.9	3.9	3.0	4.2	3.0	4.4	2.9
	30.0	3.3	2.8	3.4	2.8	3.6	2.8	3.7	2.9	3.9	3.0	4.1	3.0	4.3	2.9
	32.5	3.3	2.7	3.3	2.8	3.5	2.8	3.7	2.9	3.8	3.0	4.0	2.9	4.2	2.9
	35.0	3.2	2.7	3.3	2.8	3.5	2.8	3.6	2.8	3.7	2.9	3.9	2.9	4.2	2.9
	37.5	3.2	2.7	3.2	2.7	3.4	2.7	3.5	2.8	3.6	2.9	3.9	2.9	4.1	2.8
	40.0	3.1	2.7	3.1	2.7	3.3	2.7	3.4	2.8	3.9	3.0	3.8	2.8	4.0	2.8
43.0	3.0	2.6	3.0	2.7	3.2	2.7	3.3	2.7	3.4	2.8	3.7	2.8	3.9	2.8	
40 (4.5)	20.0	4.4	3.5	4.5	3.6	4.9	3.6	5.0	3.7	5.2	3.9	5.5	3.8	5.9	3.8
	22.5	4.3	3.5	4.5	3.6	4.8	3.6	5.0	3.7	5.1	3.8	5.4	3.8	5.7	3.7
	25.0	4.3	3.5	4.4	3.6	4.7	3.6	4.9	3.6	5.0	3.8	5.3	3.7	5.6	3.7
	27.5	4.2	3.4	4.3	3.5	4.6	3.5	4.8	3.6	4.9	3.8	5.2	3.7	5.5	3.6
	30.0	4.1	3.4	4.2	3.5	4.5	3.5	4.7	3.6	4.8	3.7	5.1	3.7	5.4	3.6
	32.5	4.1	3.4	4.2	3.5	4.4	3.4	4.6	3.5	4.7	3.7	5.0	3.6	5.3	3.6
	35.0	4.0	3.3	4.1	3.4	4.3	3.4	4.5	3.5	4.6	3.6	4.9	3.6	5.2	3.5
	37.5	4.0	3.3	4.0	3.4	4.3	3.4	4.4	3.5	4.5	3.6	4.8	3.6	5.1	3.5
	40.0	3.9	3.3	3.9	3.4	4.2	3.3	4.3	3.4	4.9	3.7	4.7	3.5	5.0	3.5
43.0	3.8	3.2	3.8	3.3	4.1	3.3	4.2	3.4	4.3	3.5	4.6	3.5	4.8	3.4	
50 (5.6)	20.0	5.4	4.1	5.6	4.2	6.0	4.2	6.3	4.3	6.5	4.4	6.9	4.4	7.3	4.3
	22.5	5.4	4.1	5.6	4.2	6.0	4.2	6.2	4.2	6.4	4.4	6.7	4.3	7.1	4.3
	25.0	5.3	4.0	5.5	4.1	5.9	4.1	6.0	4.2	6.2	4.3	6.6	4.3	7.0	4.2
	27.5	5.2	4.0	5.4	4.1	5.7	4.1	5.9	4.1	6.1	4.3	6.5	4.2	6.9	4.2
	30.0	5.2	3.9	5.3	4.0	5.6	4.0	5.8	4.1	6.0	4.2	6.4	4.2	6.7	4.1
	32.5	5.1	3.9	5.2	4.0	5.5	4.0	5.7	4.0	5.9	4.2	6.2	4.1	6.6	4.1
	35.0	5.0	3.8	5.1	3.9	5.4	3.9	5.6	4.0	5.8	4.1	6.1	4.1	6.5	4.0
	37.5	4.9	3.8	5.0	3.9	5.3	3.9	5.5	3.9	5.7	4.1	6.0	4.0	6.3	4.0
	40.0	4.8	3.8	4.8	3.8	5.2	3.8	5.3	3.9	6.1	4.3	5.9	4.0	6.2	3.9
43.0	4.7	3.7	4.7	3.8	5.0	3.7	5.2	3.8	5.3	4.0	5.7	3.9	6.0	3.9	
63 (7.1)	20.0	6.9	5.1	7.1	5.3	7.7	5.3	8.0	5.3	8.2	5.5	8.7	5.5	9.2	5.4
	22.5	6.9	5.1	7.1	5.2	7.6	5.2	7.8	5.3	8.1	5.5	8.5	5.4	9.1	5.3
	25.0	6.8	5.0	7.0	5.2	7.4	5.1	7.7	5.2	7.9	5.4	8.4	5.3	8.9	5.3
	27.5	6.6	5.0	6.8	5.1	7.3	5.1	7.5	5.2	7.8	5.4	8.2	5.3	8.7	5.2
	30.0	6.5	4.9	6.7	5.0	7.1	5.0	7.4	5.1	7.6	5.3	8.1	5.2	8.5	5.1
	32.5	6.4	4.9	6.6	5.0	7.0	4.9	7.2	5.0	7.5	5.2	7.9	5.2	8.4	5.1
	35.0	6.3	4.8	6.4	4.9	6.8	4.9	7.1	5.0	7.3	5.2	7.7	5.1	8.2	5.0
	37.5	6.2	4.8	6.3	4.9	6.7	4.8	6.9	4.9	7.2	5.1	7.6	5.0	8.0	5.0
	40.0	6.1	4.7	6.1	4.8	6.6	4.8	6.8	4.8	7.7	5.3	7.4	5.0	7.8	4.9
43.0	6.0	4.6	6.0	4.7	6.4	4.7	6.6	4.8	6.8	5.0	7.2	4.9	7.6	4.8	
80 (9.0)	20.0	8.7	6.3	9.0	6.5	9.7	6.5	10.1	6.6	10.4	6.9	11.0	6.8	11.7	6.7
	22.5	8.7	6.3	9.0	6.5	9.6	6.4	9.9	6.5	10.2	6.8	10.8	6.7	11.5	6.6
	25.0	8.6	6.3	8.8	6.4	9.4	6.4	9.7	6.5	10.0	6.7	10.6	6.6	11.3	6.5
	27.5	8.4	6.2	8.6	6.3	9.2	6.3	9.5	6.4	9.8	6.6	10.4	6.5	11.0	6.4
	30.0	8.3	6.1	8.5	6.2	9.0	6.2	9.4	6.3	9.6	6.5	10.3	6.5	10.8	6.3
	32.5	8.1	6.0	8.3	6.2	8.9	6.1	9.2	6.2	9.5	6.4	10.0	6.3	10.6	6.3
	35.0	8.0	6.0	8.1	6.1	8.6	6.0	9.0	6.1	9.3	6.4	9.8	6.3	10.4	6.2
	37.5	7.9	5.9	8.0	6.0	8.5	6.0	8.8	6.0	9.1	6.3	9.6	6.2	10.2	6.1
	40.0	7.8	5.8	7.8	5.9	8.3	5.9	8.6	6.0	9.8	6.6	9.4	6.1	9.9	6.0
43.0	7.6	5.7	7.6	5.8	8.1	5.8	8.4	5.9	8.6	6.1	9.1	6.0	9.7	5.9	
100 (11.2)	20.0	10.9	7.5	11.3	7.7	12.1	7.7	12.5	7.8	12.9	8.1	13.7	8.0	14.6	7.9
	22.5	10.8	7.5	11.2	7.7	11.9	7.6	12.3	7.7	12.7	8.0	13.5	7.9	14.3	7.7
	25.0	10.7	7.4	11.0	7.6	11.7	7.5	12.1	7.6	12.5	7.9	13.2	7.8	14.0	7.6
	27.5	10.5	7.3	10.8	7.5	11.5	7.4	11.9	7.5	12.2	7.8	13.0	7.7	13.7	7.5
	30.0	10.3	7.2	10.5	7.3	11.3	7.3	11.6	7.4	12.0	7.6	12.8	7.6	13.4	7.4
	32.5	10.1	7.1	10.4	7.3	11.0	7.2	11.4	7.3	11.8	7.5	12.4	7.4	13.2	7.3
	35.0	10.0	7.0	10.1	7.1	10.8	7.1	11.2	7.2	11.5	7.4	12.2	7.3	12.9	7.2
	37.5	9.9	7.0	9.9	7.0	10.6	7.0	10.9	7.1	11.3	7.3	12.0	7.2	12.7	7.1
	40.0	9.7	6.9	9.7	6.9	10.4	6.9	10.7	7.0	12.2	7.7	11.7	7.1	12.4	7.0
43.0	9.4	6.7	9.4	6.8	10.1	6.7	10.4	6.8	10.7	7.1	11.4	7.0	12.0	6.9	
125 (14.0)	20.0	13.6	9.3	14.1	9.6	15.1	9.6	15.7	9.7	16.2	10.0	17.2	9.9	18.2	9.7
	22.5	13.5	9.3	14.0	9.5	14.9	9.5	15.4	9.6	15.9	9.9	16.8	9.8	17.9	9.6
	25.0	13.4	9.2	13.7	9.4	14.6	9.3	15.1	9.4	15.6	9.8	16.5	9.6	17.5	9.5
	27.5	13.1	9.1	13.4	9.3	14.4	9.2	14.8	9.3	15.3	9.6	16.2	9.5	17.2	9.3
	30.0	12.9	9.0	13.2	9.1	14.1	9.1	14.6	9.2	15.0	9.5	16.0	9.4	16.8	9.2
	32.5	12.7	8.8	13.0	9.0	13.8	8.9	14.3	9.0	14.7	9.3	15.5	9.2	16.5	9.1
	35.0	12.5	8.7	12.7	8.8	13.4	8.8	14.0	8.9	14.4	9.2	15.3	9.1	16.2	8.9
	37.5	12.3	8.6	12.4	8.7	13.2	8.7	13.7	8.7	14.1	9.1	15.0	9.0	15.8	8.8
	40.0	12.1	8.5	12.1	8.6	13.0	8.5	13.4	8.6	15.2	9.6	14.6	8.8	15.5	8.7
43.0	11.8	8.4	11.8	8.4	12.6	8.4	13.0	8.5	13.4	8.7	14.2	8.6	15.1	8.5	

PLFY-P-VAM-E

2.2b. Heating capacity in combination with PUHY,PUY,PURY-P300,350,400YGM

PLFY-P-VAM-E

SHC:Sensible Heat Capacity(kW)

Unit size (Rated kW)	Outdoor air temp.	Indoor air temp.:°CDB			
		15.0	20.0	25.0	27.0
	°CWB	SHC	SHC	SHC	SHC
32 (3.6)	-20.0	2.1	2.0	2.0	1.9
	-15.0	2.4	2.4	2.4	2.3
	-10.0	2.8	2.8	2.7	2.6
	-5.0	3.2	3.2	3.0	2.6
	0.0	3.6	3.6	3.0	2.6
	2.5	3.8	3.8	3.0	2.6
	6.0	4.1	4.0	3.0	2.6
	7.5	4.2	4.0	3.0	2.6
	10.0	4.4	4.0	3.0	2.6
	12.5	4.6	4.0	3.0	2.6
15.5	4.6	4.0	3.0	2.6	
40 (4.5)	-20.0	2.6	2.5	2.5	2.4
	-15.0	3.0	3.0	3.0	2.9
	-10.0	3.5	3.5	3.4	3.2
	-5.0	4.0	4.0	3.8	3.2
	0.0	4.5	4.5	3.8	3.2
	2.5	4.8	4.7	3.8	3.2
	6.0	5.1	5.0	3.8	3.2
	7.5	5.3	5.0	3.8	3.2
	10.0	5.5	5.0	3.8	3.2
	12.5	5.8	5.0	3.8	3.2
15.5	5.8	5.0	3.8	3.2	
50 (5.6)	-20.0	3.3	3.2	3.2	3.0
	-15.0	3.8	3.8	3.8	3.7
	-10.0	4.4	4.4	4.3	4.0
	-5.0	5.0	5.0	4.7	4.0
	0.0	5.7	5.7	4.7	4.0
	2.5	6.0	6.0	4.7	4.0
	6.0	6.5	6.3	4.7	4.0
	7.5	6.7	6.3	4.7	4.0
	10.0	7.0	6.3	4.7	4.0
	12.5	7.2	6.3	4.7	4.0
15.5	7.2	6.3	4.7	4.0	
63 (7.1)	-20.0	4.2	4.0	4.0	3.8
	-15.0	4.8	4.8	4.8	4.6
	-10.0	5.6	5.6	5.5	5.1
	-5.0	6.4	6.4	6.0	5.1
	0.0	7.2	7.2	6.0	5.1
	2.5	7.6	7.6	6.0	5.1
	6.0	8.2	8.0	6.0	5.1
	7.5	8.5	8.0	6.0	5.1
	10.0	8.8	8.0	6.0	5.1
	12.5	9.2	8.0	6.0	5.1
15.5	9.2	8.0	6.0	5.1	
80 (9.0)	-20.0	5.2	5.0	5.0	4.8
	-15.0	6.0	6.0	6.0	5.8
	-10.0	7.0	7.0	6.9	6.4
	-5.0	8.0	8.0	7.5	6.4
	0.0	9.0	9.0	7.5	6.4
	2.5	9.6	9.5	7.5	6.4
	6.0	10.3	10.0	7.5	6.4
	7.5	10.6	10.0	7.5	6.4
	10.0	11.1	10.0	7.5	6.4
	12.5	11.5	10.0	7.5	6.4
15.5	11.5	10.0	7.5	6.4	
100 (11.2)	-20.0	6.5	6.3	6.3	6.0
	-15.0	7.5	7.5	7.5	7.3
	-10.0	8.8	8.8	8.6	8.0
	-5.0	10.0	10.0	9.4	8.0
	0.0	11.3	11.3	9.4	8.0
	2.5	11.9	11.8	9.4	8.0
	6.0	12.8	12.5	9.4	8.0
	7.5	13.3	12.5	9.4	8.0
	10.0	13.8	12.5	9.4	8.0
	12.5	14.4	12.5	9.4	8.0
15.5	14.4	12.5	9.4	8.0	
125 (14.0)	-20.0	8.3	8.0	8.0	7.7
	-15.0	9.6	9.6	9.6	9.3
	-10.0	11.2	11.2	11.0	10.2
	-5.0	12.8	12.8	12.0	10.2
	0.0	14.4	14.4	12.0	10.2
	2.5	15.3	15.1	12.0	10.2
	6.0	16.4	16.0	12.0	10.2
	7.5	17.0	16.0	12.0	10.2
	10.0	17.7	16.0	12.0	10.2
	12.5	18.4	16.0	12.0	10.2
15.5	18.4	16.0	12.0	10.2	

PLFY-P-VAM-E

2.3a. Cooling capacity in combination with PUHY,PURY-P500,650YGM

CA :Capacity(kW)
SHC:Sensible Heat Capacity(kW)

PLFY-P-VAM-E

Unit size (Rated kW)	Outdoor air temp. °CDB	Indoor air temp.													
		21.5°CDB 15°CWB		23°CDB 16°CWB		25°CDB 18°CWB		27°CDB 19°CWB		28°CDB 20°CWB		30°CDB 22°CWB		32°CDB 24°CWB	
		CA	SHC	CA	SHC	CA	SHC	CA	SHC	CA	SHC	CA	SHC	CA	SHC
32 (3.6)	20.0	3.4	2.8	3.5	2.9	3.7	2.9	3.9	2.9	4.0	3.1	4.2	3.0	4.5	3.0
	22.5	3.4	2.8	3.5	2.9	3.7	2.9	3.8	2.9	4.0	3.0	4.2	3.0	4.5	3.0
	25.0	3.3	2.8	3.4	2.9	3.7	2.8	3.8	2.9	3.9	3.0	4.2	3.0	4.4	3.0
	27.5	3.3	2.8	3.4	2.8	3.6	2.8	3.7	2.9	3.9	3.0	4.1	3.0	4.3	2.9
	30.0	3.3	2.7	3.3	2.8	3.6	2.8	3.7	2.9	3.9	3.0	4.1	3.0	4.4	2.9
	32.5	3.2	2.7	3.3	2.8	3.5	2.8	3.6	2.8	3.8	3.0	4.1	3.0	4.3	2.9
	35.0	3.2	2.7	3.3	2.8	3.5	2.8	3.6	2.8	3.7	3.0	4.0	2.9	4.3	2.9
	37.5	3.2	2.7	3.2	2.8	3.5	2.8	3.5	2.8	3.7	3.0	4.0	2.9	4.2	2.9
	40.0	3.1	2.7	3.2	2.7	3.4	2.7	3.5	2.8	3.7	2.9	4.0	2.9	4.2	2.9
43.0	3.1	2.7	3.2	2.7	3.4	2.7	3.5	2.8	3.6	2.9	3.9	2.9	4.2	2.9	
40 (4.5)	20.0	4.3	3.5	4.4	3.6	4.7	3.6	4.8	3.6	5.0	3.8	5.3	3.7	5.7	3.7
	22.5	4.2	3.5	4.3	3.6	4.6	3.5	4.8	3.6	5.0	3.8	5.3	3.7	5.6	3.7
	25.0	4.2	3.4	4.3	3.5	4.6	3.5	4.7	3.6	4.9	3.7	5.2	3.7	5.6	3.7
	27.5	4.1	3.4	4.2	3.5	4.5	3.5	4.7	3.6	4.9	3.7	5.2	3.7	5.4	3.6
	30.0	4.1	3.4	4.2	3.5	4.5	3.5	4.6	3.5	4.8	3.7	5.1	3.7	5.4	3.6
	32.5	4.1	3.4	4.1	3.5	4.4	3.4	4.5	3.5	4.8	3.7	5.1	3.7	5.4	3.6
	35.0	4.0	3.3	4.1	3.4	4.4	3.4	4.5	3.5	4.7	3.7	5.0	3.6	5.4	3.6
	37.5	4.0	3.3	4.0	3.4	4.3	3.4	4.4	3.5	4.7	3.6	5.0	3.6	5.3	3.6
	40.0	3.9	3.3	4.0	3.4	4.3	3.4	4.4	3.4	4.6	3.6	5.0	3.6	5.3	3.6
43.0	3.9	3.3	3.9	3.4	4.2	3.4	4.3	3.4	4.5	3.6	4.9	3.6	5.2	3.5	
50 (5.6)	20.0	5.3	4.0	5.5	4.1	5.8	4.1	6.0	4.1	6.2	4.3	6.6	4.3	7.1	4.2
	22.5	5.3	4.0	5.4	4.1	5.8	4.1	5.9	4.1	6.2	4.3	6.6	4.3	7.0	4.2
	25.0	5.2	4.0	5.3	4.1	5.7	4.0	5.9	4.1	6.1	4.3	6.5	4.2	6.9	4.2
	27.5	5.2	3.9	5.3	4.0	5.7	4.0	5.8	4.1	6.0	4.3	6.4	4.2	6.7	4.1
	30.0	5.1	3.9	5.2	4.0	5.6	4.0	5.8	4.1	6.0	4.2	6.4	4.2	6.8	4.1
	32.5	5.0	3.9	5.2	4.0	5.5	3.9	5.7	4.0	5.9	4.2	6.3	4.2	6.7	4.1
	35.0	5.0	3.8	5.1	3.9	5.5	3.9	5.6	4.0	5.8	4.2	6.3	4.1	6.7	4.1
	37.5	4.9	3.8	5.0	3.9	5.4	3.9	5.5	3.9	5.8	4.1	6.2	4.1	6.6	4.1
	40.0	4.8	3.8	5.0	3.9	5.3	3.9	5.4	3.9	5.7	4.1	6.2	4.1	6.6	4.0
43.0	4.8	3.8	4.9	3.9	5.3	3.8	5.4	3.9	5.7	4.1	6.0	4.1	6.5	4.0	
63 (7.1)	20.0	6.7	5.0	6.9	5.2	7.4	5.1	7.6	5.2	7.9	5.4	8.4	5.3	8.9	5.3
	22.5	6.7	5.0	6.9	5.1	7.3	5.1	7.5	5.2	7.8	5.4	8.3	5.3	8.8	5.2
	25.0	6.6	5.0	6.8	5.1	7.2	5.1	7.5	5.1	7.7	5.4	8.2	5.3	8.8	5.2
	27.5	6.5	4.9	6.7	5.0	7.2	5.0	7.4	5.1	7.7	5.3	8.2	5.3	8.5	5.1
	30.0	6.5	4.9	6.6	5.0	7.1	5.0	7.3	5.1	7.6	5.3	8.1	5.2	8.6	5.2
	32.5	6.4	4.9	6.5	5.0	7.0	4.9	7.2	5.0	7.5	5.3	8.0	5.2	8.5	5.1
	35.0	6.3	4.8	6.4	4.9	6.9	4.9	7.1	5.0	7.4	5.2	8.0	5.2	8.4	5.1
	37.5	6.2	4.8	6.4	4.9	6.8	4.9	7.0	4.9	7.3	5.2	7.8	5.1	8.4	5.1
	40.0	6.1	4.7	6.3	4.9	6.8	4.9	6.9	4.9	7.2	5.1	7.8	5.1	8.3	5.1
43.0	6.1	4.7	6.2	4.8	6.7	4.8	6.8	4.9	7.2	5.1	7.7	5.1	8.2	5.0	
80 (9.0)	20.0	8.5	6.2	8.8	6.4	9.4	6.3	9.6	6.4	10.0	6.7	10.6	6.6	11.3	6.5
	22.5	8.5	6.2	8.7	6.3	9.3	6.3	9.5	6.4	9.9	6.6	10.6	6.6	11.2	6.5
	25.0	8.4	6.1	8.6	6.3	9.2	6.3	9.5	6.3	9.8	6.6	10.4	6.5	11.1	6.4
	27.5	8.3	6.1	8.5	6.2	9.1	6.2	9.4	6.3	9.7	6.6	10.4	6.5	10.8	6.3
	30.0	8.2	6.0	8.4	6.2	9.0	6.2	9.3	6.3	9.6	6.5	10.3	6.5	10.9	6.4
	32.5	8.1	6.0	8.3	6.1	8.8	6.1	9.1	6.2	9.5	6.5	10.2	6.4	10.8	6.3
	35.0	8.0	6.0	8.1	6.1	8.8	6.1	9.0	6.1	9.4	6.4	10.1	6.4	10.7	6.3
	37.5	7.9	5.9	8.1	6.0	8.6	6.0	8.9	6.1	9.3	6.4	9.9	6.3	10.6	6.3
	40.0	7.8	5.8	8.0	6.0	8.6	6.0	8.7	6.0	9.2	6.3	9.9	6.3	10.5	6.2
43.0	7.7	5.8	7.9	5.9	8.5	5.9	8.6	6.0	9.1	6.3	9.7	6.2	10.4	6.2	
100 (11.2)	20.0	10.6	7.4	10.9	7.5	11.6	7.5	12.0	7.6	12.5	7.9	13.2	7.8	14.1	7.7
	22.5	10.5	7.3	10.8	7.5	11.5	7.4	11.9	7.5	12.3	7.8	13.2	7.7	13.9	7.6
	25.0	10.4	7.3	10.7	7.4	11.4	7.4	11.8	7.4	12.2	7.7	13.0	7.7	13.8	7.6
	27.5	10.3	7.2	10.5	7.3	11.3	7.3	11.6	7.4	12.1	7.7	12.9	7.6	13.4	7.4
	30.0	10.2	7.2	10.4	7.3	11.2	7.3	11.5	7.3	12.0	7.6	12.8	7.6	13.6	7.5
	32.5	10.1	7.1	10.3	7.2	11.0	7.2	11.3	7.2	11.9	7.6	12.7	7.5	13.4	7.4
	35.0	10.0	7.0	10.1	7.1	10.9	7.1	11.2	7.2	11.6	7.5	12.5	7.5	13.3	7.4
	37.5	9.9	7.0	10.0	7.1	10.8	7.1	11.0	7.1	11.6	7.5	12.4	7.4	13.2	7.3
	40.0	9.7	6.9	9.9	7.0	10.7	7.0	10.9	7.0	11.4	7.4	12.3	7.4	13.1	7.3
43.0	9.6	6.9	9.8	7.0	10.5	7.0	10.8	7.0	11.3	7.3	12.1	7.3	13.0	7.2	
125 (14.0)	20.0	13.2	9.1	13.7	9.4	14.6	9.3	15.0	9.4	15.6	9.8	16.5	9.6	17.6	9.5
	22.5	13.2	9.1	13.5	9.3	14.4	9.2	14.8	9.3	15.4	9.7	16.5	9.6	17.4	9.4
	25.0	13.0	9.0	13.4	9.2	14.3	9.2	14.7	9.2	15.3	9.6	16.2	9.5	17.3	9.4
	27.5	12.9	9.0	13.2	9.1	14.1	9.1	14.6	9.2	15.1	9.5	16.1	9.4	16.8	9.2
	30.0	12.7	8.9	13.0	9.0	14.0	9.0	14.4	9.1	15.0	9.5	16.0	9.4	16.9	9.2
	32.5	12.6	8.8	12.9	9.0	13.7	8.9	14.1	9.0	14.8	9.4	15.8	9.3	16.8	9.2
	35.0	12.5	8.7	12.7	8.8	13.7	8.9	14.0	8.9	14.6	9.3	15.7	9.3	16.7	9.1
	37.5	12.3	8.6	12.6	8.8	13.4	8.8	13.8	8.8	14.5	9.2	15.5	9.2	16.5	9.1
	40.0	12.1	8.5	12.4	8.7	13.4	8.7	13.6	8.7	14.3	9.2	15.4	9.1	16.4	9.0
43.0	12.0	8.5	12.3	8.6	13.2	8.6	13.4	8.7	14.1	9.1	15.1	9.0	16.2	9.0	

PLFY-P-VAM-E

2.3b. Heating capacity in combination with PUHY,PURY-P500,650YGM

PLFY-P-VAM-E

SHC:Sensible Heat Capacity(kW)

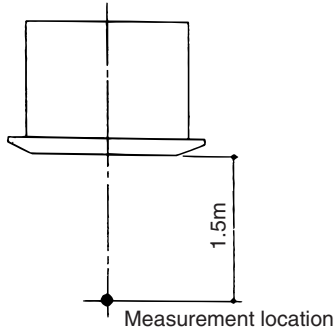
Unit size (Rated kW)	Outdoor air temp. °CWB	Indoor air temp.:°CDB			
		15.0 SHC	20.0 SHC	25.0 SHC	27.0 SHC
32 (3.6)	-20.0	2.1	2.0	2.0	2.0
	-15.0	2.5	2.4	2.4	2.3
	-10.0	2.9	2.8	2.7	2.6
	-5.0	3.3	3.2	3.1	2.8
	0.0	3.7	3.6	3.2	2.8
	2.5	3.8	3.8	3.2	2.8
	6.0	4.1	4.0	3.2	2.8
	7.5	4.2	4.0	3.2	2.8
	10.0	4.4	4.0	3.2	2.8
	12.5	4.6	4.0	3.2	2.8
	15.5	4.6	4.0	3.2	2.8
40 (4.5)	-20.0	2.7	2.6	2.6	2.5
	-15.0	3.1	3.0	3.0	2.9
	-10.0	3.6	3.5	3.4	3.3
	-5.0	4.1	4.0	3.9	3.5
	0.0	4.6	4.5	4.0	3.5
	2.5	4.8	4.8	4.0	3.5
	6.0	5.2	5.0	4.0	3.5
	7.5	5.3	5.0	4.0	3.5
	10.0	5.6	5.0	4.0	3.5
	12.5	5.8	5.0	4.0	3.5
	15.5	5.8	5.0	4.0	3.5
50 (5.6)	-20.0	3.3	3.2	3.2	3.2
	-15.0	3.9	3.8	3.8	3.7
	-10.0	4.5	4.4	4.3	4.2
	-5.0	5.2	5.0	4.9	4.4
	0.0	5.8	5.7	5.0	4.4
	2.5	6.0	6.0	5.0	4.4
	6.0	6.5	6.3	5.0	4.4
	7.5	6.7	6.3	5.0	4.4
	10.0	7.0	6.3	5.0	4.4
	12.5	7.3	6.3	5.0	4.4
	15.5	7.3	6.3	5.0	4.4
63 (7.1)	-20.0	4.2	4.1	4.1	4.0
	-15.0	5.0	4.8	4.8	4.6
	-10.0	5.8	5.6	5.4	5.3
	-5.0	6.6	6.4	6.2	5.6
	0.0	7.4	7.2	6.4	5.6
	2.5	7.7	7.6	6.4	5.6
	6.0	8.2	8.0	6.4	5.6
	7.5	8.5	8.0	6.4	5.6
	10.0	8.9	8.0	6.4	5.6
	12.5	9.3	8.0	6.4	5.6
	15.5	9.3	8.0	6.4	5.6
80 (9.0)	-20.0	5.3	5.1	5.1	5.0
	-15.0	6.3	6.1	6.0	5.8
	-10.0	7.2	7.0	6.8	6.6
	-5.0	8.2	8.0	7.7	7.1
	0.0	9.2	9.0	8.0	7.1
	2.5	9.6	9.5	8.0	7.1
	6.0	10.3	10.0	8.0	7.1
	7.5	10.6	10.0	8.0	7.1
	10.0	11.1	10.0	8.0	7.1
	12.5	11.6	10.0	8.0	7.1
	15.5	11.6	10.0	8.0	7.1
100 (11.2)	-20.0	6.6	6.4	6.4	6.3
	-15.0	7.8	7.6	7.5	7.3
	-10.0	9.0	8.8	8.5	8.3
	-5.0	10.3	10.0	9.6	8.8
	0.0	11.5	11.3	9.9	8.8
	2.5	12.0	11.9	9.9	8.8
	6.0	12.9	12.5	9.9	8.8
	7.5	13.3	12.5	9.9	8.8
	10.0	13.9	12.5	9.9	8.8
	12.5	14.5	12.5	9.9	8.8
	15.5	14.5	12.5	9.9	8.8
125 (14.0)	-20.0	8.5	8.2	8.2	8.0
	-15.0	10.0	9.7	9.6	9.3
	-10.0	11.5	11.2	10.9	10.6
	-5.0	13.1	12.8	12.3	11.3
	0.0	14.7	14.4	12.7	11.3
	2.5	15.4	15.2	12.7	11.3
	6.0	16.5	16.0	12.7	11.3
	7.5	17.0	16.0	12.7	11.3
	10.0	17.8	16.0	12.7	11.3
	12.5	18.6	16.0	12.7	11.3
	15.5	18.6	16.0	12.7	11.3

PLFY-P-VAM-E

3. Sound Levels

3.1 Noise levels

Cassette ceiling (VAM-E series)

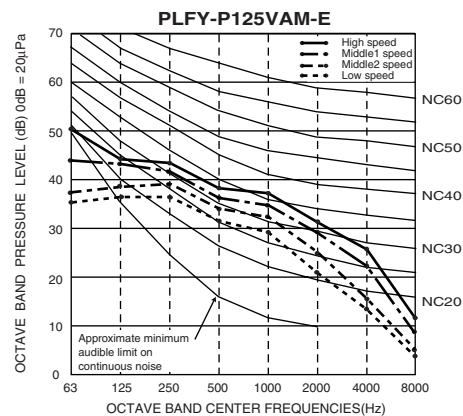
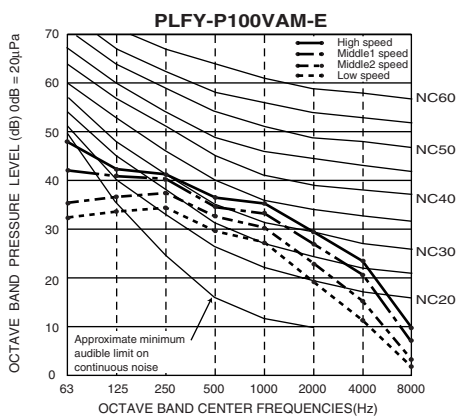
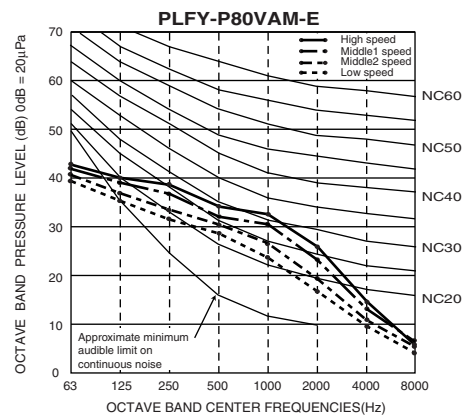
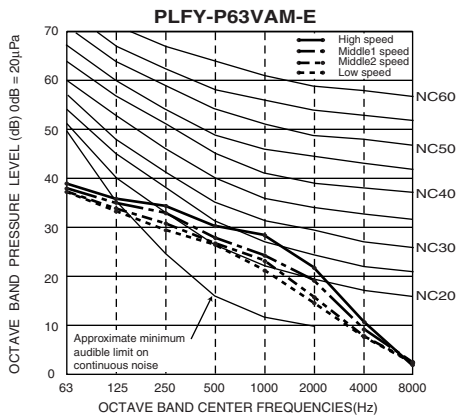
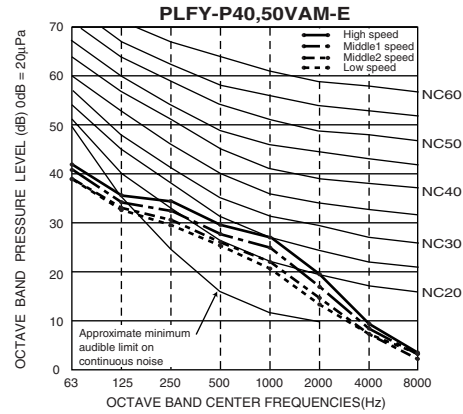
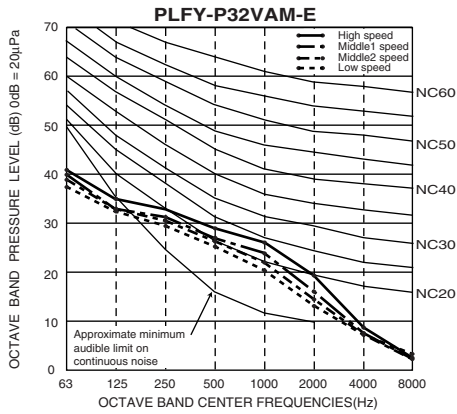


Noise level at anechoic room
(Low-Middle2-Middle1-High)

Unit : dB(A)

Model	Noise level (A weighted)
PLFY-P32VAM-E	27-28-29-31
PLFY-P40VAM-E PLFY-P50VAM-E	27-28-30-32
PLFY-P63VAM-E	28-29-31-33
PLFY-P80VAM-E	30-32-35-37
PLFY-P100VAM-E	33-36-39-41
PLFY-P125VAM-E	35-38-41-43

3.2 NC curves

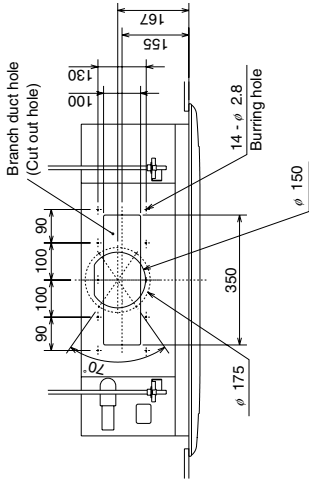
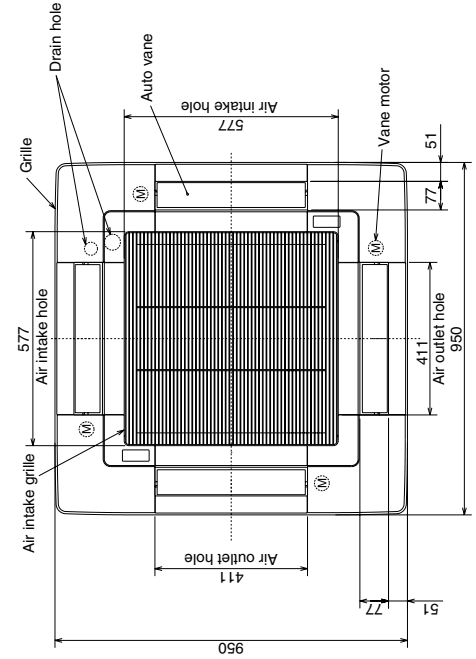
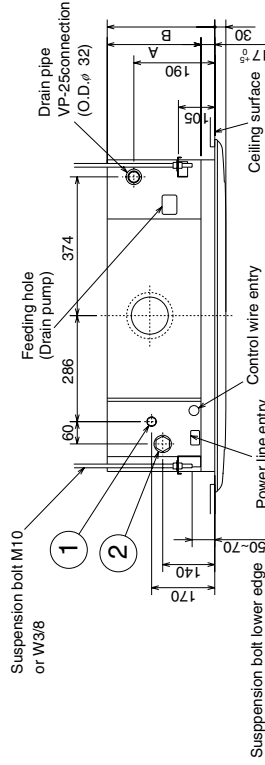
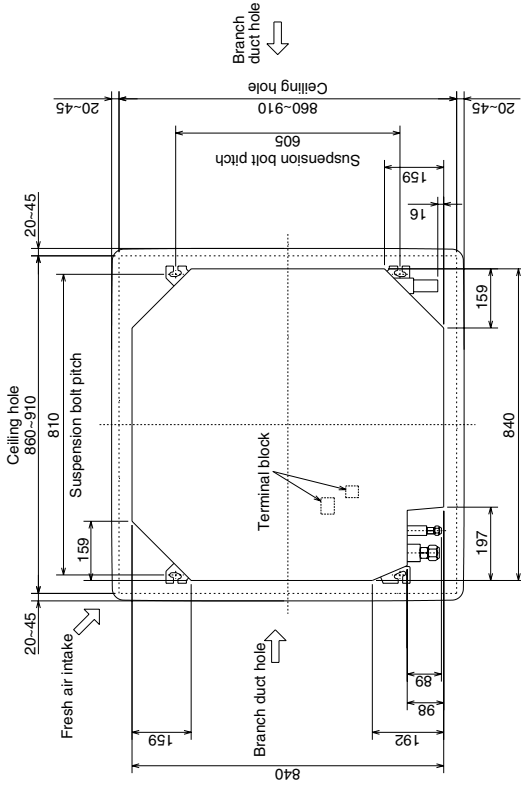


PLFY-P-VAM-E

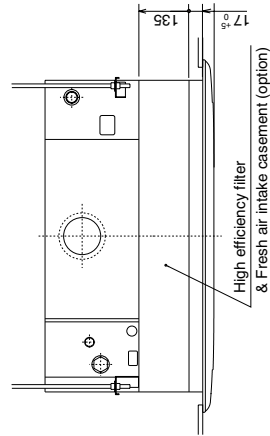
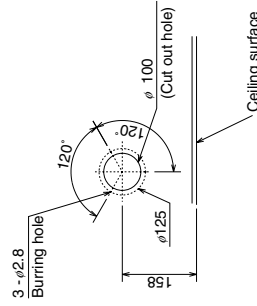
4. External Dimensions

PLFY-P32,40,50,63,80,100,125VAM-E

Unit : mm



Detail drawing of fresh air intake



Models	① Liquid Pipe	② Gas Pipe	A	B
PLFY-P32VAM-E	φ 6.35	φ 12.7	241	258
PLFY-P40VAM-E				
PLFY-P50VAM-E	φ 6.35(R410A) φ 12.7(R407C,R22)	φ 15.88(R407C,R22)	281	298
PLFY-P63VAM-E				
PLFY-P80VAM-E	φ 9.52	φ 15.88(R410A) φ 19.05(R407C,R22)	281	298
PLFY-P100VAM-E				
PLFY-P125VAM-E				

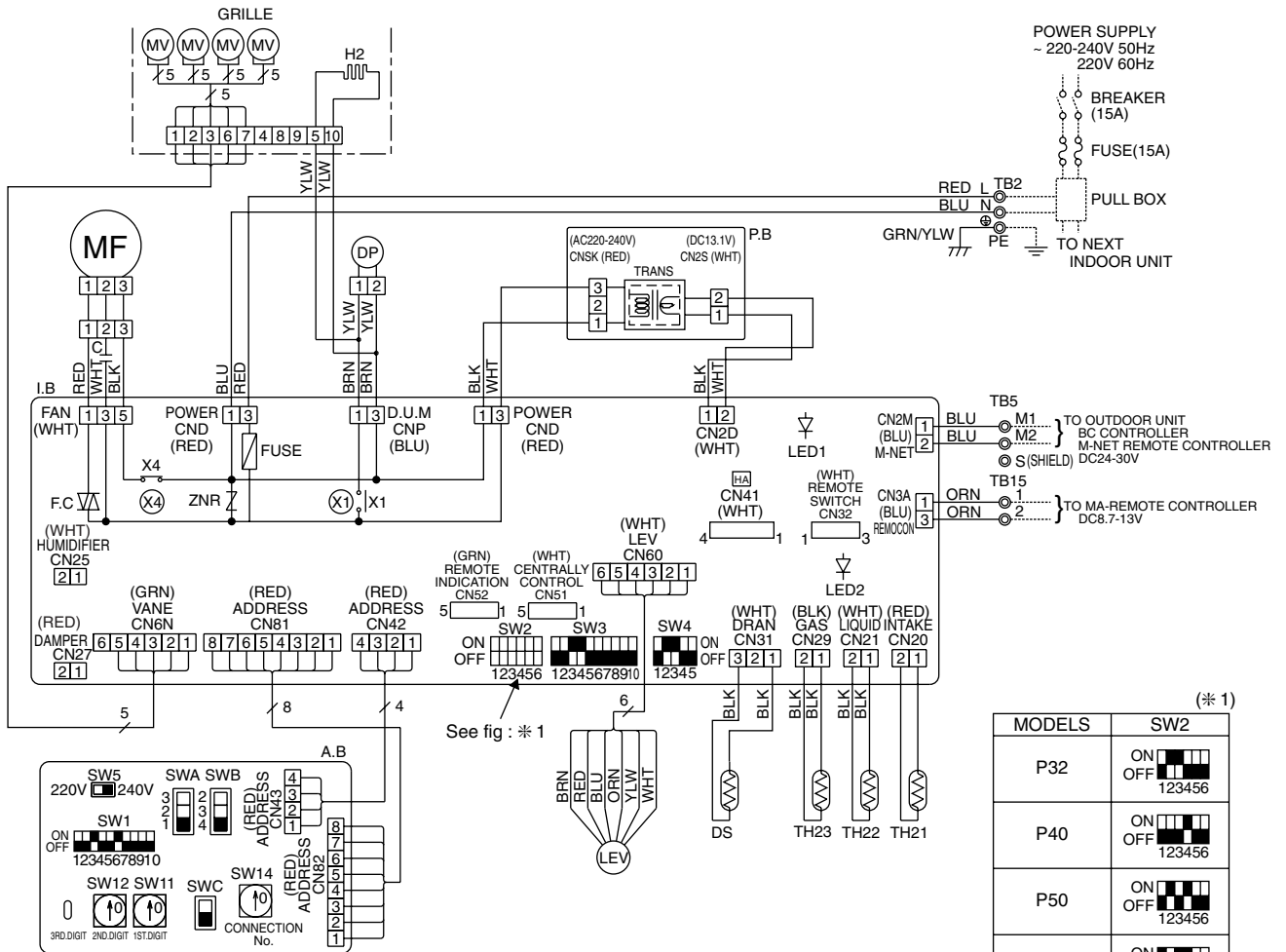
PLFY-P-VAM-E

5. Electrical Wiring Diagrams

● PLFY-P32,40,50,63,80,100,125VAM-E

<SYMBOL EXPLANATION>

SYMBOL	NAME	SYMBOL	NAME	SYMBOL	NAME
P.B	INDOOR POWER BOARD	C	CAPACITOR(FAN MOTOR)	TH23	THERMISTOR PIPE TEMPERATURE DETECTION / GAS (0°C/15kΩ, 25°C/5.4kΩ)
I.B	INDOOR CONTROLLER BOARD	MF	FAN MOTOR(WITH INNER THERMO)	A.B	CIRCUIT BOARD
CN25	HUMIDIFIER	MV	VANE MOTOR	SW1	MODE SELECTION
CN32	REMOTE SWITCH	DP	DRAIN WATER LIFTING-UP MACH	SW5	VOLTAGE SELECTION
CN41	HA TERMINAL-A	DS	DRAIN SENSOR	SW11	ADDRESS SETTING 1ST DIGIT
CN51	CENTRALLY CONTROL	H2	DEW PREVENTION HEATER	SW12	ADDRESS SETTING 2ND DIGIT
CN52	REMOTE INDICATION	TB2	POWER SUPPLY TRANSMISSION	SW14	CONNECTION No.
SW2	CAPACITY CODE	TB5	TERMINAL BLOCK	SWA	CEILING HEIGHT SELECTOR
SW3	SWITCH	TB15	LINEAR EXPANSION VALVE	SWB	DISCHARGE OUTLET NUMBER SELECTOR
SW4	MODEL SELECTION	LEV	ROOM TEMPERATURE DETECTION (0°C/15kΩ, 25°C/5.4kΩ)	SWC	OPTION SELECTOR
ZNR	VARISTOR	TH21	PIPE TEMPERATURE DETECTION / LIQUID (0°C/15kΩ, 25°C/5.4kΩ)		
FUSE	FUSE (6.3A/250V)				
F.C	FAN PHASE CONTROL				
X1	AUX.RELAY				
X4	DRAIN PUMP				
LED1	POWER SUPPLY(I.B)				
LED2	POWER SUPPLY(I.B)				



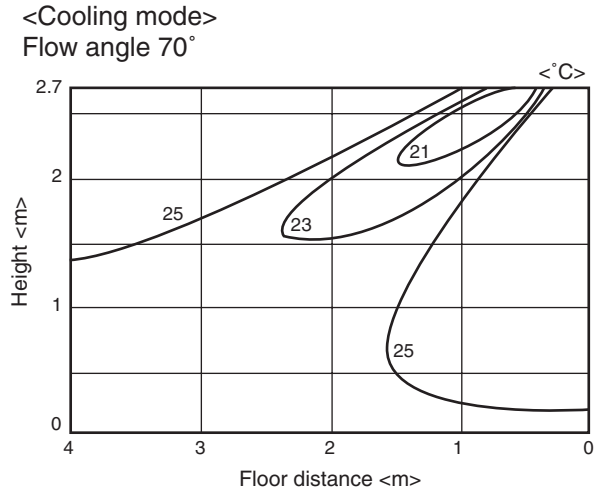
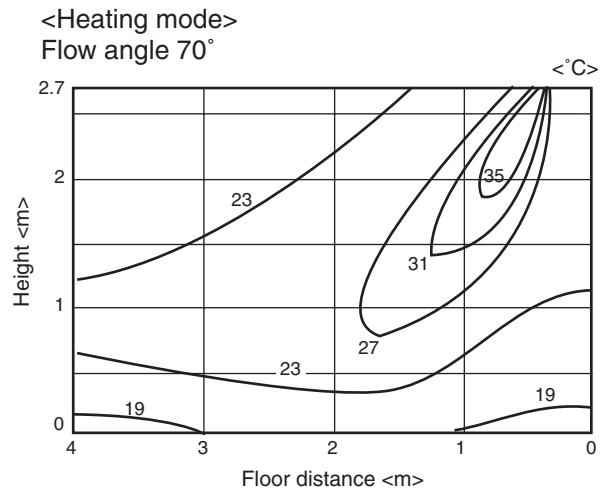
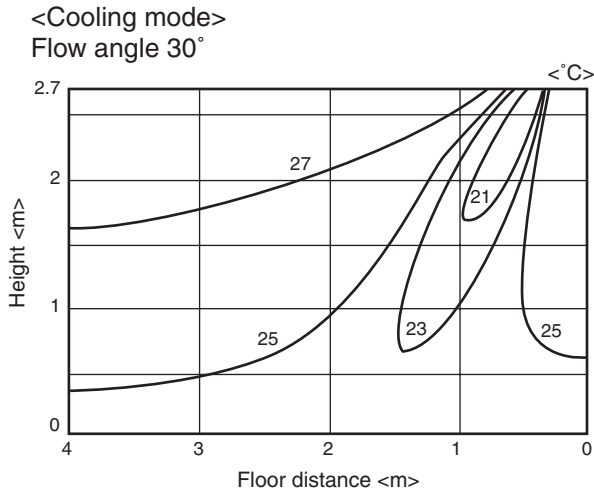
NOTE

- At servicing for outdoor unit, always follow the wiring diagram of outdoor unit.
- Symbol(S) of TB5 is the shield wire connection.
- Symbols used in wiring diagram above are, ⊙: Terminal block, □□□□: Connector.
- The setting of the SW2 dip switches differs in the capacity for the detail, see the table below.
- Please set the switch SW5 according to the power supply voltage.
Set SW5 to 240V side when the power supply is 230 and 240 volts.
When the power supply is 220 volts, set SW5 to 220V side.

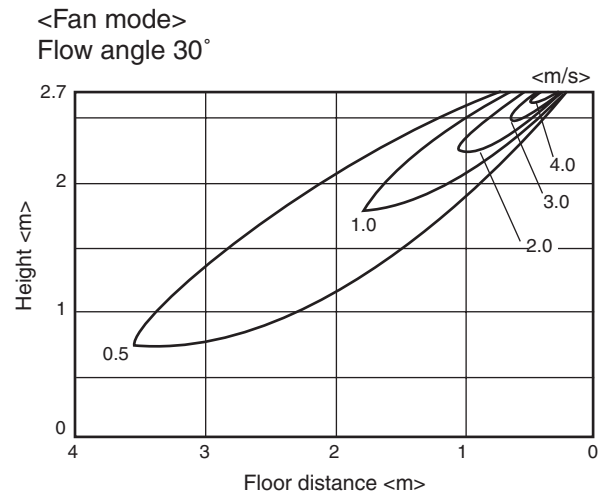
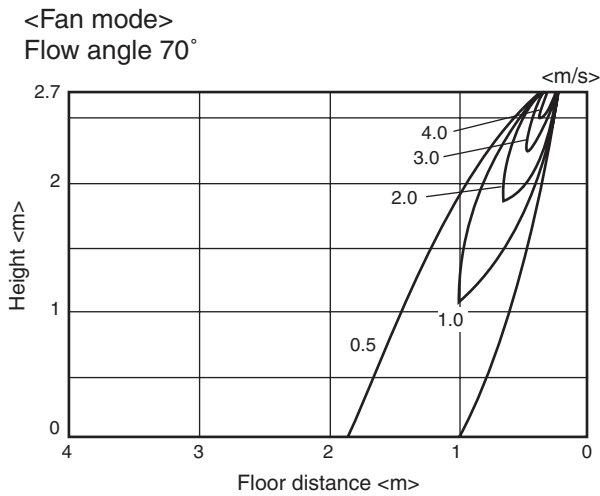
PLFY-P-VAM-E

6. Temperature/Airflow distribution

6.1 Temperature distribution



6.2 Airflow distribution



PLFY-P-VAM-E

7. Options

Description	Model	Applicable capacity
Decoration panel	PLP-6AA	P32/P40/P50/P63/P80/P100/P125
Air outlet shutter plate	PAC-SG06SP-E	
High efficiency filter element	PAC-SE13KF-E (PAC-SE21TM-E is necessary to use this filter)	
	PAC-SG01KF	
Multi-function casement	PAC-SG03TM-E	

