

PARTS CATALOG

Series PKFY Wall Mounted R410A / R407C / R22

Indoor unit
[Model names]

[Service Ref.]

PKFY-P63VKM-E

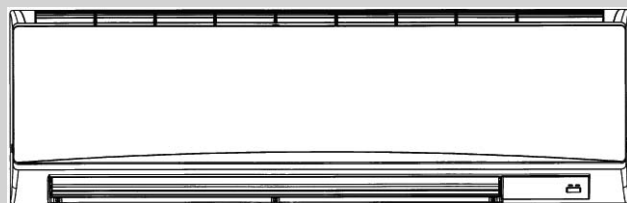
PKFY-P63VKM-E.TH

PKFY-P100VKM-E

PKFY-P100VKM-E.TH

Note:

- RoHS compliant products have <G> mark on the spec name plate.



INDOOR UNIT

CONTENTS

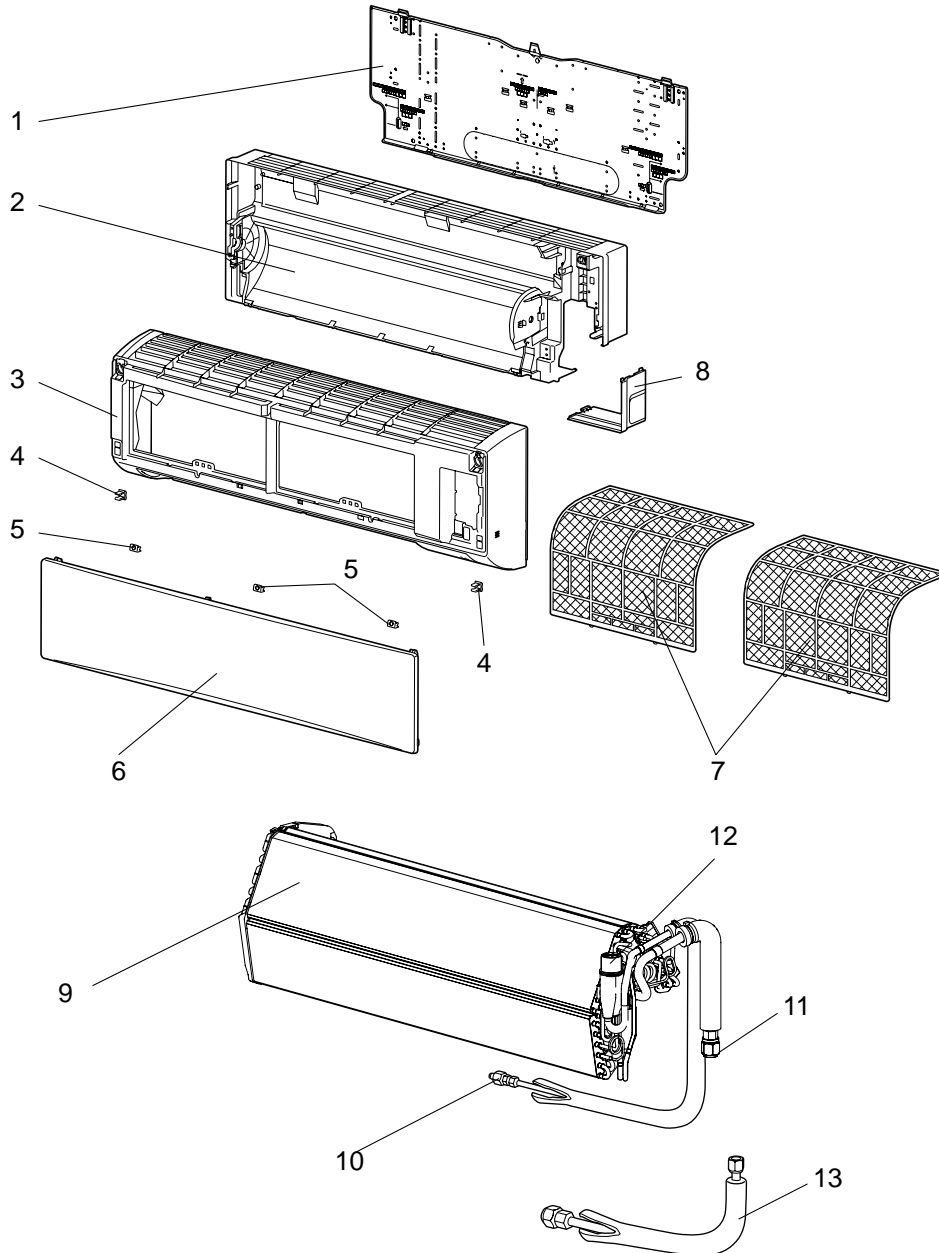
1. RoHS PARTS LIST2
2. OPTIONAL PARTS6

SERVICE MANUAL (OCH447)

PANEL AND HEAT EXCHANGER PARTS

PKFY-P63VKM-E.TH

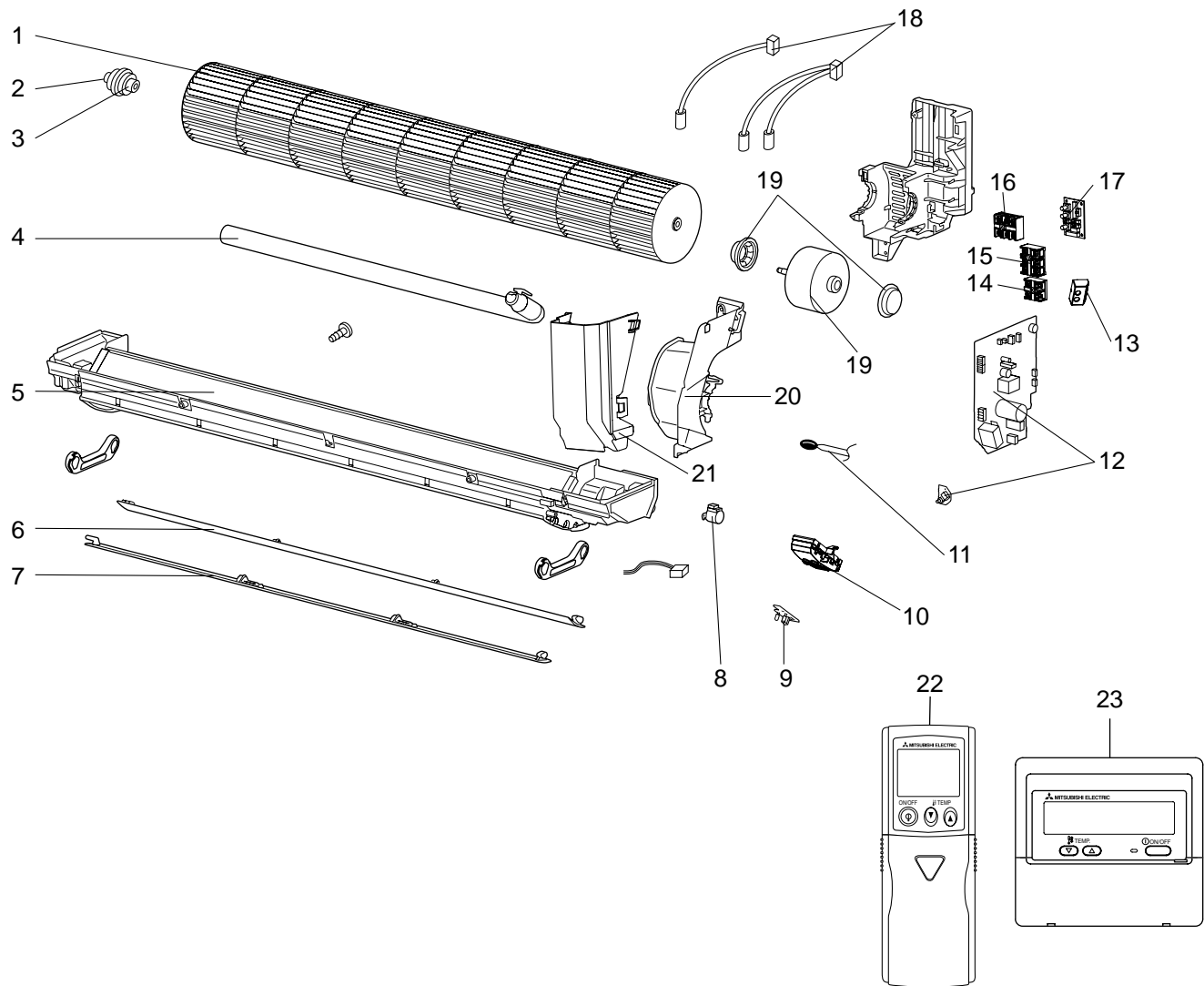
PKFY-P100VKM-E.TH





No.	RoHS	Part No.	Part Name	Specification	Q'ty/set		Remarks (Drawing No.)	Wiring Diagram Symbol	Recom- mended Q'ty
					PKFY-P•VKM-E.TH				
					63	100			
1	G	E12 C92 970	INSTALLATION PLATE		1	1			
2	G	E12 C92 234	BOX		1	1			
3	G	E17 518 000	PANEL ASSEMBLY		1	1			
4	G	E12 408 142	CATCH		1	1	2pcs/set		
5	G	E12 C92 067	SCREW CAP		1	1	3pcs/set		
6	G	E12 C92 010	FRONT PANEL (NW)		1	1			
7	G	E12 C92 100	CATECHIN AIR FILTER		2	2			
8	G	E12 C92 975	CORNER BOX R		1	1			
9	G	E17 518 620	HEAT EXCHANGER		1				
	G	E17 519 620	HEAT EXCHANGER			1			
10	G	E12 527 667	UNION (LIQ)		1	1			
11	G	E12 C92 666	UNION (GAS)		1	1			
12	G	E17 518 640	LINEAR EXPANSION VALVE		1			LEV	
	G	E17 519 640	LINEAR EXPANSION VALVE			1		LEV	
13	G	E17 518 980	JOINT ASSEMBLY		1	1			

FUNCTIONAL PARTS
PKFY-P63VKM-E.TH
PKFY-P100VKM-E.TH





Part numbers that are circled are not shown in the illustration.

No.	RoHS	Part No.	Part Name	Specification	Q'ty/set		Remarks (Drawing No.)	Wiring Diagram Symbol	Recom- mended Q'ty
					PKFY-P63,100	VKM-E.TH			
1	G	E12 C92 302	LINE FLOW FAN			1			
2	G	E12 751 509	BEARING MOUNT			1			
3	G	E12 001 504	SLEEVE BEARING			1			
4	G	E12 408 702	DRAIN HOSE			1			
5	G	E17 518 235	NOZZLE ASSEMBLY			1			
6	G	E12 C92 040	VANE UPPER			1			
7	G	E12 C92 041	VANE LOWER			1			
8	G	E12 749 303	VANE MOTOR			1		MV	
9	G	E17 518 468	RECEIVER P.C.BOARD			1		W.B.	
10	G	E12 C92 095	RECEIVER HOLDER			1			
11	G	E17 518 308	ROOM TEMP. THERMISTOR			1		TH21	
12	G	E17 518 447	INDOOR CONTOLLER BOARD			1		I.B., S.B.	
13	G	E17 518 782	SWITCH HOLDER			1			
14	G	E17 249 375	TERMINAL BLOCK	2P(1,2)		1		TB15	
15	G	E17 519 375	TERMINAL BLOCK	3P(M1,M2,S)		1		TB5	
16	G	E17 518 375	TERMINAL BLOCK	3P(L,N,⊕)		1		TB2	
17	G	E17 518 456	ADDRESS BOARD			1		A.B.	
18	G	E17 518 307	THERMISTOR			1		TH22/23, TH24	
19	G	E12 C92 300	FAN MOTOR			1		MF	
20	G	E12 C92 333	MOTOR BAND			1			
21	G	E17 518 541	WATER COVER			1			
22	G	—	WIRELESS REMOTE CONTROLLER	PAR-FL32MA		1			
23	G	—	REMOTE CONTROLLER	PAR-21MAA		1			
24	G	E17 518 087	CABLE ASSY (ADDRESS)			1			
25	G	E12 A49 382	FUSE	3.15A 250V		1		FUSE	

2**OPTIONAL PARTS****2-1. WIRELESS REMOTE CONTROLLER**

Part No.	PAR-FL32MA
----------	------------

2-2. WIRED REMOTE CONTROLLER (MA REMOTE CONTROLLER)

Part No.	PAR-21MAA
----------	-----------

2-3. WIRED REMOTE CONTROLLER (ME REMOTE CONTROLLER)

Part No.	PAR-F27MEA
----------	------------

2-4. DRAIN PUMP

Part No.	PAC-SH94DM-E
----------	--------------

CITY MULTI™

 **MITSUBISHI ELECTRIC CORPORATION**

HEAD OFFICE : TOKYO BLDG., 2-7-3, MARUNOUCHI, CHIYODA-KU TOKYO 100-8310, JAPAN
