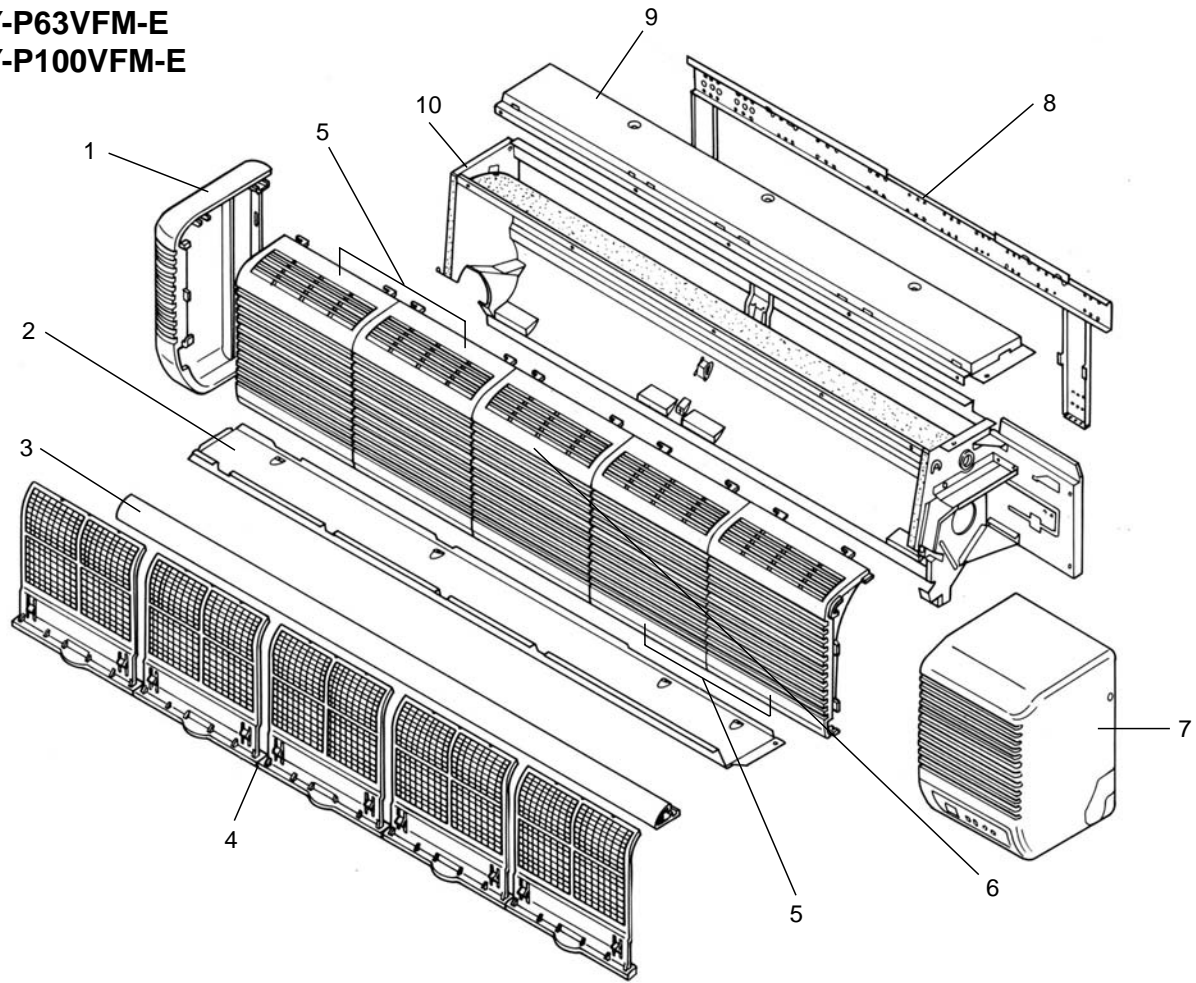


## STRUCTURAL PARTS

PKFY-P63VFM-E

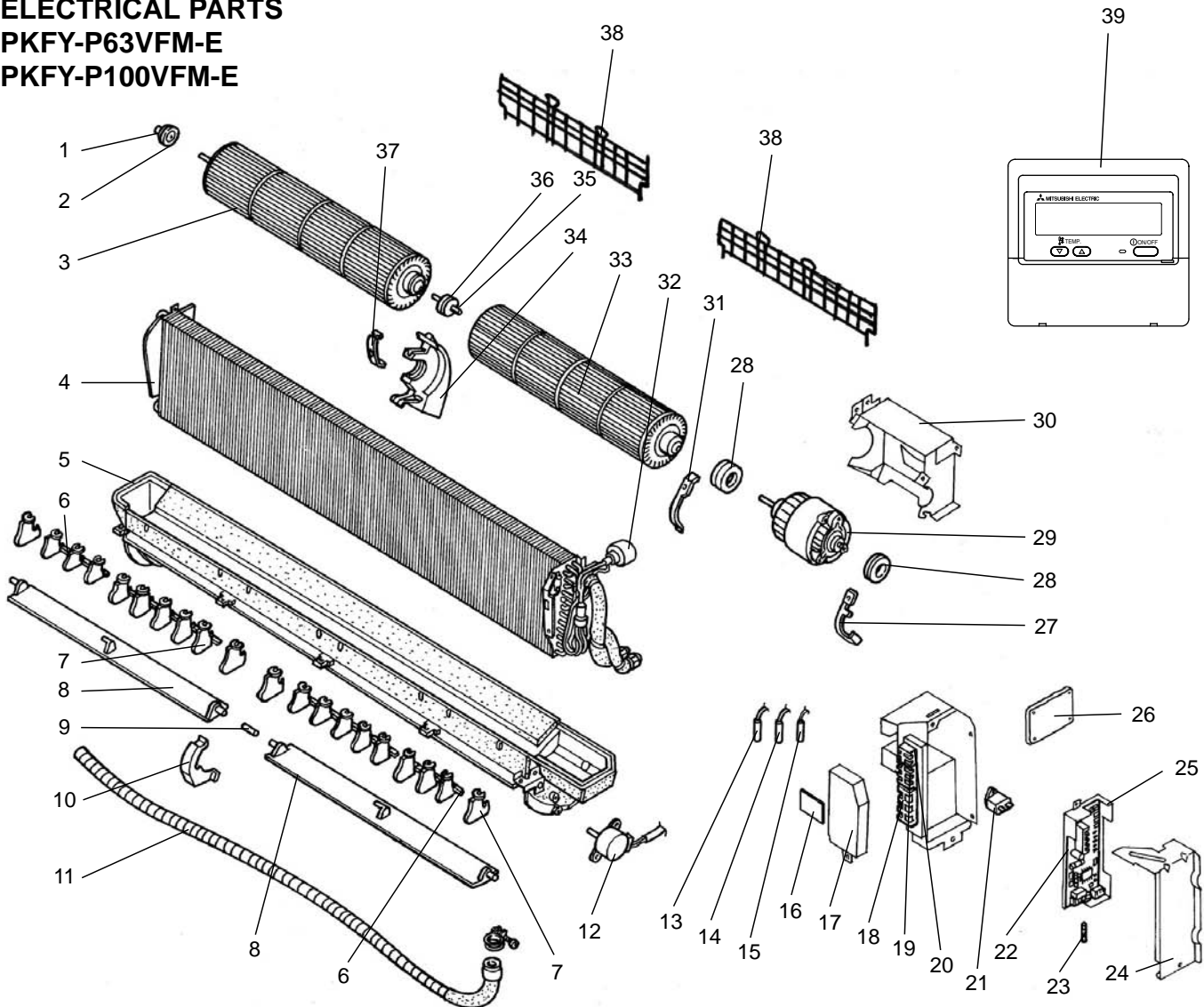
PKFY-P100VFM-E



Part number that is circled is not shown in the figure.

No.	Part No.	Part Name	Specification	Q'ty / set		Remarks (Drawing No.)	Wiring Diagram Symbol	Recom- mended Q'ty	Price	
				PKFY-P•VFM-E					Unit	Amount
				63	100					
1	R01 12G 662	LEFT SIDE PANEL		1	1					
2	R01 E01 812	UNDER PLATE		1						
	R01 E00 812	UNDER PLATE			1					
3	R01 E00 811	NOSE		1						
	R01 E01 811	NOSE			1					
4	R01 A17 500	AIR FILTER		4	5					
5	R01 12G 691	INTAKE GRILLE		2	2					
6	R01 16G 692	INTAKE GRILLE			1					
7	R01 12G 661	RIGHT SIDE PANEL		1	1					
8	R01 12G 808	BACK PLATE		1						
	R01 16G 808	BACK PLATE			1					
9	R01 E01 641	TOP PLATE		1						
	R01 E00 641	TOP PLATE			1					
10	—	BOX ASSEMBLY		1		(RG00A734GJ3)				
	—	BOX ASSEMBLY			1	(RG00A734GJ4)				
⑪	R01 12G 523	DRAIN SOCKET		1	1					

**ELECTRICAL PARTS**  
**PKFY-P63VFM-E**  
**PKFY-P100VFM-E**

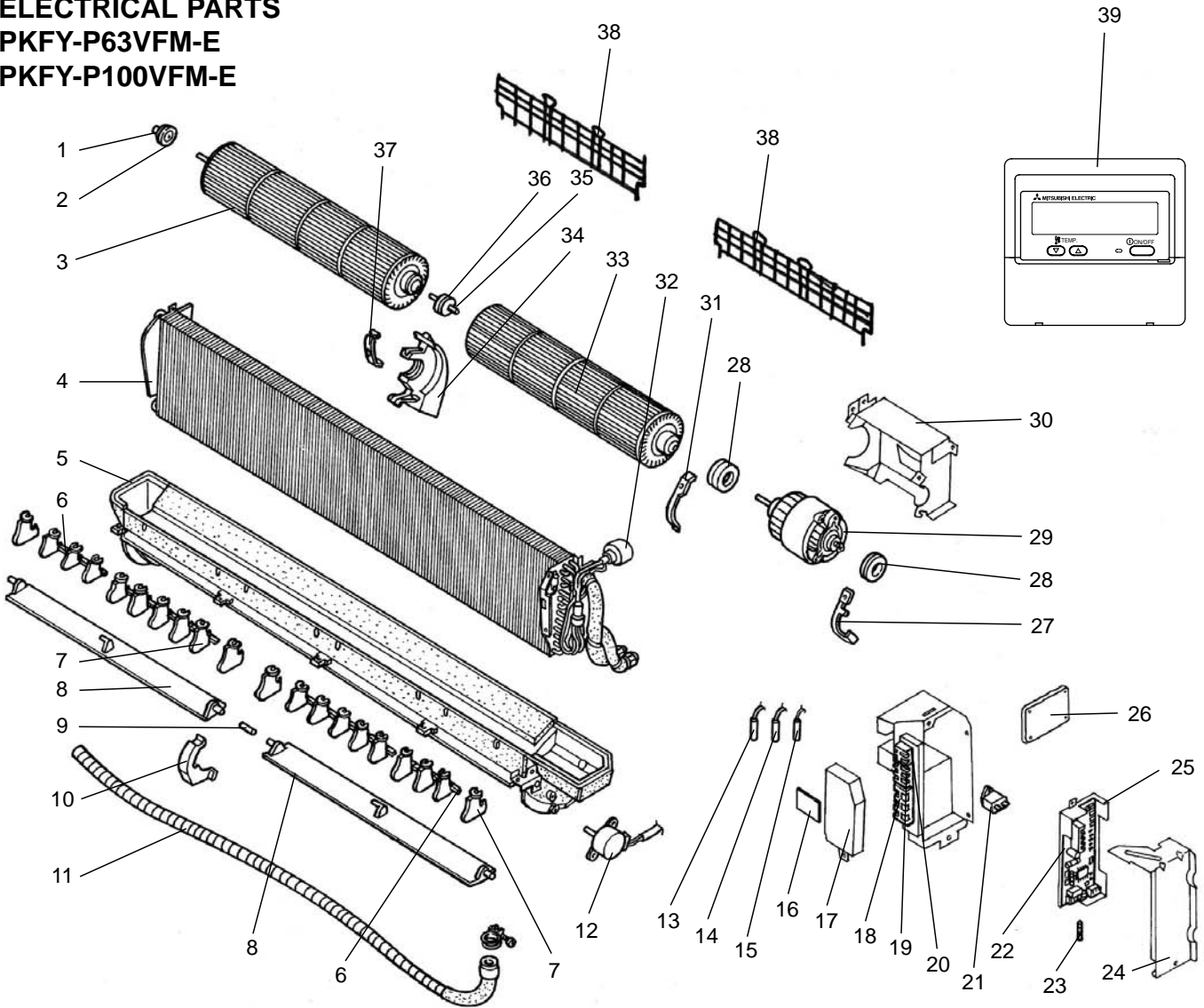


No.	Part No.	Part Name	Specification	Q'ty / set		Remarks (Drawing No.)	Wiring Diagram Symbol	Recom- mended Q'ty	Price	
				PKFY-P•VFM-E					Unit	Amount
				63	100					
1	R01 Z61 102	BEARING MOUNT		1	1					
2	R01 005 103	SLEEVE BEARING		1	1					
3	R01 13G 114	LEFT LINEFLOW FAN		1						
	R01 17G 114	LEFT LINEFLOW FAN			1					
4	T7W K28 480	HEAT EXCHANGER		1						
	T7W K29 480	HEAT EXCHANGER			1					
5	T7W E13 529	DRAIN PAN		1						
	T7W E14 529	DRAIN PAN			1					
6	—	ARM		3	4	(BG25H301H02)				
7	—	GUIDE VANE		16	22	(BG25J821H01)				
	—	GUIDE VANE (WITH HANDELE)		4	4	(BG25J821H02)				
8	R01 12G 002	AUTO VANE		2						
	R01 16G 002	AUTO VANE			2					
9	R01 12G 063	JOINT SHAFT		1	1					
10	R01 12G 621	CENTER COVER		1	1					
11	R01 KV5 527	DRAIN HOSE		1	1					

Part number that is circled is not shown in the figure.

No.	Part No.	Part Name	Specification	Q'ty / set		Remarks (Drawing No.)	Wiring Diagram Symbol	Recom- mended Q'ty	Price	
				PKFY-P•VFM-E					Unit	Amount
				63	100					
12	T7W E03 223	VANE MOTOR		1	1		MV			
13	R01 E32 202	GAS PIPE THERMISTOR		1	1		TH23			
14	T7W E12 202	ROOM TEMPERATURE THERMISTOR		1	1		TH21			
15	R01 E02 202	LIQUID PIPE THERMISTOR		1	1		TH22			
16	T7W E00 294	ADDRESS BOARD		1	1		A.B			
17	—	TERMINAL COVER		1	1	(BG02J608G01)				
18	T7W A14 716	TERMINAL BLOCK	3P(L,N,⊕)	1	1		TB2			
19	T7W E00 716	TERMINAL BLOCK	3P(M1,M2,S)	1	1		TB5			
20	T7W 512 716	TERMINAL BLOCK	2P(1,2)	1	1		TB15			
21	R01 588 255	FAN MOTOR CAPACITOR	2.0 $\mu$ F 440V	1			C1			
	R01 576 255	FAN MOTOR CAPACITOR	3.0 $\mu$ F 440V		1		C1			
22	T7W E34 310	INDOOR CONTROLLER BOARD		1	1		I.B			
23	T7W 520 239	FUSE	250V 6.3A	1	1		FUSE			
24	—	CONTROLLER COVER		1	1	(BG02A648G02)				
25	—	CONTROLLER CASE		1	1	(BG25J080H02)				
26	R01 E02 313	POWER BOARD		1	1		P.B			
27	—	MOTOR BAND		1	1	(BG02H065H01)				
28	R01 12G 105	RUBBER MOUNT		2						
	R01 16G 105	RUBBER MOUNT			2					
29	R01 12G 220	FAN MOTOR	D094P40MS	1			MF			
	T7W 571 762	FAN MOTOR	D10A4P70MS		1		MF			
30	—	MOTOR LEG		1		(BG02A534H16)				
	—	MOTOR LEG			1	(RG02A534H17)				
31	—	MOTOR BAND		1	1	(BG02H178H01)				
32	T7W E17 401	LINEAR EXPANSION VALVE		1			LEV			
	T7W E18 401	LINEAR EXPANSION VALVE			1		LEV			
33	R01 13G 115	RIGHT LINE FLOW FAN		1						
	R01 17G 115	RIGHT LINE FLOW FAN			1					
34	—	CENTER SUPPORT		1	1	(BG00R259G08)				
35	R01 12G 103	SLEEVE BEARING		1	1					
36	R01 KV5 102	BEARING MOUNT		1	1					
37	—	BEARING BAND		1	1	(BG02L462H02)				
38	T7W B02 675	FAN GUARD		2						
	T7W B03 675	FAN GUARD			2					
39	—	REMOTE CONTROLLER	PAR-21MAA	1	1		R.B			
④0	R01 05A 304	ADDRESS CABLE		1	1					

**ELECTRICAL PARTS**  
**PKFY-P63VFM-E**  
**PKFY-P100VFM-E**

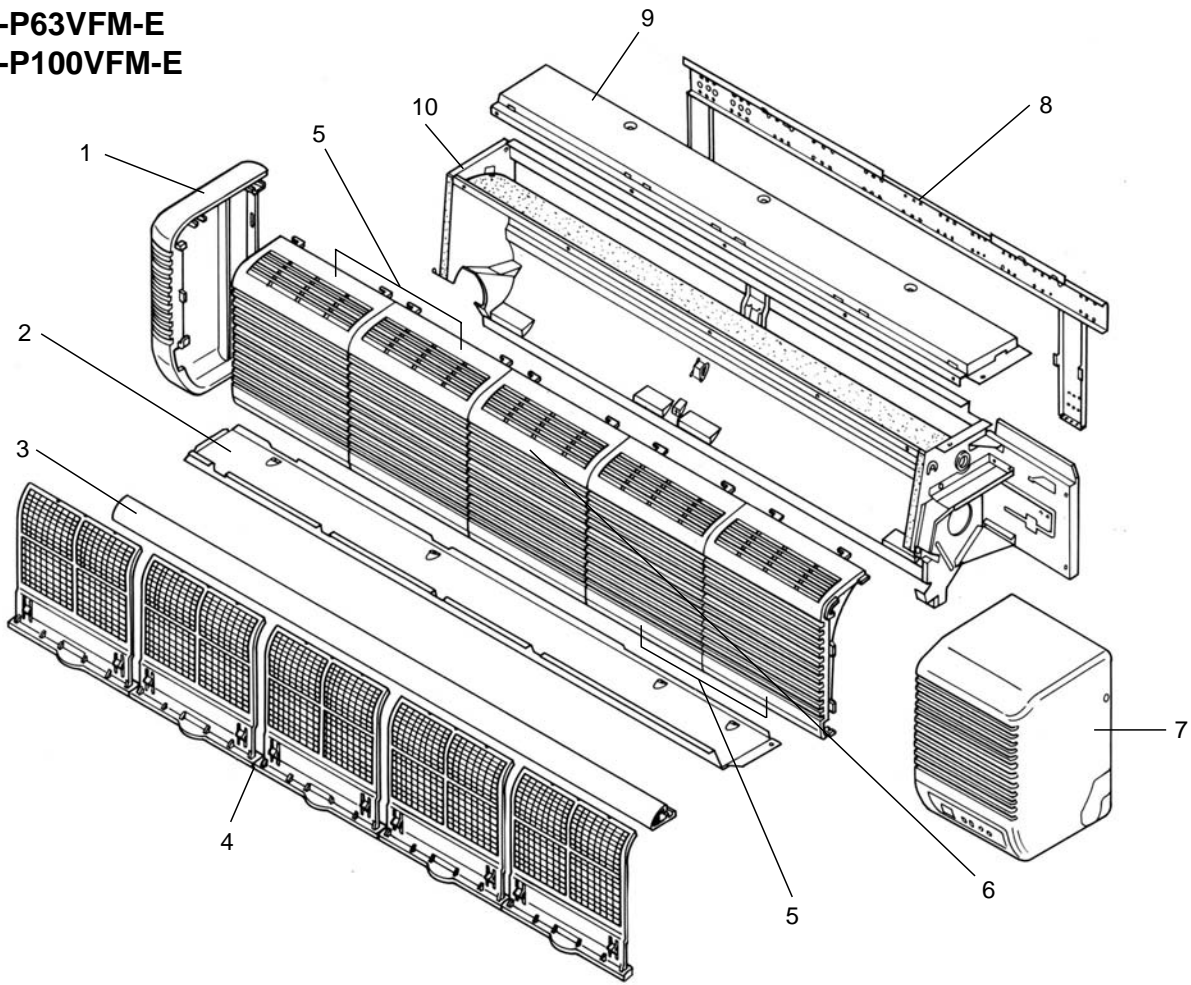


No.	RoHS	Part No.	Part Name	Specification	Q'ty / set		Remarks (Drawing No.)	Wiring Diagram Symbol	Recom- mended Q'ty	Price	
					63	100				Unit	Amount
					PKFY-P-VFM-E						
1	G	R01 Z61 102	BEARING MOUNT		1	1					
2	G	R01 E04 103	SLEEVE BEARING		1	1					
3	G	R01 E23 114	LEFT LINEFLOW FAN		1						
	G	R01 E24 114	LEFT LINEFLOW FAN			1					
4	G	T7W K28 480	HEAT EXCHANGER		1						
	G	T7W K29 480	HEAT EXCHANGER			1					
5	G	T7W E24 529	DRAIN PAN		1						
	G	T7W E25 529	DRAIN PAN			1					
6	G	—	ARM		3	4	(BG25H301H02)				
7	G	—	GUIDE VANE		16	22	(BG25J821H01)				
	G	—	GUIDE VANE (WITH HANDELE)		4	4	(BG25J821H02)				
8	G	R01 18G 002	AUTO VANE		2						
	G	R01 19G 002	AUTO VANE			2					
9	G	R01 13G 063	JOINT SHAFT		1	1					
10	G	R01 14G 621	CENTER COVER		1	1					
11	G	R01 E04 527	DRAIN HOSE		1	1					

Part number that is circled is not shown in the figure.

No.	RoHS	Part No.	Part Name	Specification	Q'ty / set		Remarks (Drawing No.)	Wiring Diagram Symbol	Recom- mended Q'ty	Price	
					PKFY-P•VFM-E					Unit	Amount
					63	100					
12	G	T7W E05 223	VANE MOTOR		1	1		MV			
13	G	R01 H15 202	GAS PIPE THERMISTOR		1	1		TH23			
14	G	R01 H06 202	ROOM TEMPERATURE THERMISTOR		1	1		TH21			
15	G	R01 H05 202	LIQUID PIPE THERMISTOR		1	1		TH22			
16	G	T7W E01 294	ADDRESS BOARD		1	1		A.B			
17	G	—	TERMINAL COVER		1	1	(BG02J608G01)				
18	G	T7W E32 716	TERMINAL BLOCK	3P(L,N,⊕)	1	1		TB2			
19	G	T7W E35 716	TERMINAL BLOCK	3P(M1,M2,S)	1	1		TB5			
20	G	T7W E33 716	TERMINAL BLOCK	2P(1,2)	1	1		TB15			
21	G	R01 E13 255	FAN MOTOR CAPACITOR	2.0 $\mu$ F 440V	1			C1			
	G	R01 E12 255	FAN MOTOR CAPACITOR	3.0 $\mu$ F 440V		1		C1			
22	G	T7W E53 310	INDOOR CONTROLLER BOARD		1	1		I.B			
23	G	R01 E06 239	FUSE	250V 6.3A	1	1		FUSE			
24	G	—	CONTROLLER COVER		1	1	(BG02A648G02)				
25	G	—	CONTROLLER CASE		1	1	(BG25J080H02)				
26	G	R01 E38 313	POWER BOARD		1	1		P.B			
27	G	—	MOTOR BAND		1	1	(BG02H065H01)				
28	G	R01 12G 105	RUBBER MOUNT		2						
	G	R01 16G 105	RUBBER MOUNT			2					
29	G	R01 13G 220	FAN MOTOR	D094P40MS	1			MF			
	G	T7W E24 762	FAN MOTOR	D10A4P70MS		1		MF			
30	G	—	MOTOR LEG		1		(BG02A534H16)				
	G	—	MOTOR LEG			1	(RG02A534H17)				
31	G	—	MOTOR BAND		1	1	(BG02H178H01)				
32	G	T7W E19 401	LINEAR EXPANSION VALVE		1			LEV			
	G	T7W E20 401	LINEAR EXPANSION VALVE			1		LEV			
33	G	R01 E04 115	RIGHT LINE FLOW FAN		1						
	G	R01 E05 115	RIGHT LINE FLOW FAN			1					
34	G	—	CENTER SUPPORT		1	1	(BG00R259G08)				
35	G	R01 E03 103	SLEEVE BEARING		1	1					
36	G	R01 KV5 102	BEARING MOUNT		1	1					
37	G	—	BEARING BAND		1	1	(BG02L462H02)				
38	G	T7W E15 675	FAN GUARD		2						
	G	T7W E16 675	FAN GUARD			2					
39	G	—	REMOTE CONTROLLER	PAR-21MAA	1	1		R.B			
④0	G	R01 A01 304	ADDRESS CABLE		1	1					

**STRUCTURAL PARTS**  
**PKFY-P63VFM-E**  
**PKFY-P100VFM-E**



Part number that is circled is not shown in the figure.

No.	RoHS	Part No.	Part Name	Specification	Q'ty / set		Remarks (Drawing No.)	Wiring Diagram Symbol	Recom- mended Q'ty	Price	
					PKFY-P•VFM-E					Unit	Amount
					63	100					
1	G	R01 14G 662	LEFT SIDE PANEL		1	1					
2	G	R01 E02 812	UNDER PLATE		1						
	G	R01 E03 812	UNDER PLATE			1					
3	G	R01 E00 811	NOSE		1						
	G	R01 E01 811	NOSE			1					
4	G	R01 A17 500	AIR FILTER		4	5					
5	G	R01 17G 691	INTAKE GRILLE		2	2					
6	G	R01 18G 692	INTAKE GRILLE			1					
7	G	R01 14G 661	RIGHT SIDE PANEL		1	1					
8	G	R01 E03 808	BACK PLATE		1						
	G	R01 E04 808	BACK PLATE			1					
9	G	R01 E19 641	TOP PLATE		1						
	G	R01 E20 641	TOP PLATE			1					
10	G	—	BOX ASSEMBLY		1		(RG00A734GJ3)				
	G	—	BOX ASSEMBLY			1	(RG00A734GJ4)				
⑪	G	R01 E02 523	DRAIN SOCKET		1	1					