



PKFY-P-VAM-E



PKFY-P-VGM-E



PKFY-P-VFM-E

PKFY-P-VAM -E
PKFY-P-VGM -E
PKFY-P-VFM -E

| | |
|--|----------|
| 1. SPECIFICATIONS | IU-I- 2 |
| 2. CAPACITY TABLES | |
| 2-1a. Cooling capacity in combination with PUHY,PUY, PURY-P200, 250YGM | IU-I- 4 |
| 2-1b. Heating capacity in combination with PUHY, PURY-P200, 250YGM | IU-I- 5 |
| 2-2a. Cooling capacity in combination with PUHY,PUY,PURY-P300,350YGM / PUHY,PURY-P400YGM | IU-I- 6 |
| 2-2b. Heating capacity in combination with PUHY, PURY-P300, 350, 400YGM | IU-I- 7 |
| 2-3a. Cooling capacity in combination with PUHY,PURY-P450, 500, 550, 600, 650YGM | IU-I- 8 |
| 2-3b. Heating capacity in combination with PUHY,PURY-P450, 500, 550, 600, 650YGM | IU-I- 9 |
| 2-4a. Cooling capacity in combination with PQHY,PQRY-P200,250YGM, PQHY,PQRY-P400,500YSGM | IU-I- 10 |
| 2-4b. Heating capacity in combination with PQHY,PQRY-P200,250YGM, PQHY,PQRY-P400,500YSGM | IU-I- 11 |
| 2-5a. Cooling capacity in combination with PUMY-P100,125,140YHM | IU-I- 12 |
| 2-5b. Heating capacity in combination with PUMY-P100,125,140YHM | IU-I- 13 |
| 3. SOUND LEVELS | |
| 3-1. Sound levels | IU-I- 14 |
| 3-2. NC curves | IU-I- 14 |
| 4. EXTERNAL DIMENSIONS | IU-I- 15 |
| 5. ELECTRICAL WIRING DIAGRAMS | IU-I- 18 |
| 6. TEMPERATURE/AIRFLOW DISTRIBUTIONS | |
| 6-1. Temperature distributions | IU-I- 21 |
| 6-2. Airflow distributions | IU-I- 22 |

- A
- B
- C
- D
- E
- F
- G
- H
- I
- J
- V_a
- V_b
- BC

| Wall mounted | P20 | P25 | P32 | P40 | P50 | P63 | P71 | P80 | P100 | P125 | P140 | P200 | P250 |
|--------------|-------|-------|-------|-------|-------|-------|-------|-------|-------|-------|-------|-------|--------|
| | 0.8HP | 1.0HP | 1.3HP | 1.6HP | 2.0HP | 2.5HP | 2.8HP | 3.2HP | 4.0HP | 5.0HP | 5.6HP | 8.0HP | 10.0HP |
| PKFY-P-VAM-E | ● | ● | | | | | | | | | | | |
| PKFY-P-VGM-E | | | ● | ● | ● | | | | | | | | |
| PKFY-P-VFM-E | | | | | | ● | | | | | | | |

1. SPECIFICATIONS

R410A Data G2

| Model | | | PKFY-P20VAM-E | PKFY-P25VAM-E | PKFY-P32VGM-E | PKFY-P40VGM-E | PKFY-P50VGM-E | |
|---|--------------------------------|----------------------|---|----------------------------|--|--------------------------|--------------------------|-------|
| Power source | | | 1-phase 220-240V 50Hz, 1-phase 220V 60Hz | | | | | |
| Cooling capacity (Nominal) | *1 | kW | 2.2 | 2.8 | 3.6 | 4.5 | 5.6 | |
| | | kcal / h | 1,900 | 2,400 | 3,100 | 3,900 | 4,800 | |
| | | Btu / h | 7,500 | 9,600 | 12,300 | 15,400 | 19,100 | |
| | *2 | kcal / h | 2,000 | 2,500 | 3,150 | 4,000 | 5,000 | |
| | | Power input | kW | 0.04 | 0.04 | 0.07 | 0.07 | 0.07 |
| | Current input | A | 0.20 | 0.20 | 0.32 | 0.32 | 0.32 | |
| Heating capacity (Nominal) | *3 | kW | 2.5 | 3.2 | 4.0 | 5.0 | 6.3 | |
| | | kcal / h | 2,200 | 2,800 | 3,400 | 4,300 | 5,400 | |
| | | Btu / h | 8,500 | 10,900 | 13,600 | 17,100 | 21,500 | |
| | *3 | Power input | kW | 0.04 | 0.04 | 0.07 | 0.07 | 0.07 |
| | | Current input | A | 0.20 | 0.20 | 0.32 | 0.32 | 0.32 |
| External finish | | | Plastic, MUNSELL (2.60Y 8.66/0.69) | | Plastic <PS, ABS>, White MUNSELL (0.70Y 8.59/0.97) | | | |
| External dimension H x W x D | | mm | 295 x 815 x 158 | 295 x 815 x 158 | 340 x 990 x 235 | 340 x 990 x 235 | 340 x 990 x 235 | |
| | | in. | 11-5/8" x 32-1/8" x 6-1/4" | 11-5/8" x 32-1/8" x 6-1/4" | 13-7/16" x 39" x 9-5/16" | 13-7/16" x 39" x 9-5/16" | 13-7/16" x 39" x 9-5/16" | |
| Net weight | | kg (lb) | 8.5 (19) | 8.5 (19) | 16 (36) | 16 (36) | 16 (36) | |
| Heat exchanger | | | Cross fin (Aluminum fin and copper tube) | | | | | |
| FAN | Type x Quantity | | Line flow fan x 1 | Line flow fan x 1 | Line flow fan x 1 | Line flow fan x 1 | Line flow fan x 1 | |
| | External static press. | Pa | 0 | 0 | 0 | 0 | 0 | |
| | | mmH ₂ O | 0 | 0 | 0 | 0 | 0 | |
| | Motor type | | 1-phase induction motor | | | | | |
| | Motor output | | kW | 0.017 | 0.017 | 0.030 | 0.030 | 0.030 |
| | Driving mechanism | | Direct-driven by motor | | | | | |
| | Airflow rate (Low-Mid-High) | m ³ / min | 4.9 - 5.2 - 5.6 - 5.9 | 4.9 - 5.2 - 5.6 - 5.9 | 8 - 9.5 - 10.5 - 11.5 | 8 - 9.5 - 10.5 - 11.5 | 9 - 10 - 11 - 12 | |
| L / s | | 82 - 87 - 93 - 98 | 82 - 87 - 93 - 98 | 133 - 158 - 175 - 192 | 133 - 158 - 175 - 192 | 150 - 167 - 183 - 200 | | |
| | | cfm | 173 - 184 - 198 - 208 | 173 - 184 - 198 - 208 | 283 - 335 - 371 - 406 | 283 - 335 - 371 - 406 | 318 - 353 - 388 - 424 | |
| Noise level (Low-High) (measured in anechoic room) | | dB <A> | 32 - 33 - 35 - 36 | 32 - 33 - 35 - 36 | 33 - 36 - 38 - 41 | 33 - 36 - 38 - 41 | 34 - 37 - 40 - 43 | |
| Insulation material | | | Polyester sheet | | | | | |
| Air filter | | | PP honeycomb (long life) | | | | | |
| Protection device | | | Fuse | | | | | |
| Refrigerant control device | | | LEV | | | | | |
| Connectable outdoor unit | | | R410A, R407C, R22 CITY MULTI | | | | | |
| Diameter of refrigerant pipe | Liquid (R410A) (R22, R407C) | mm (in.) | ø6.35 (ø1/4") Flare | ø6.35 (ø1/4") Flare | ø6.35 (ø1/4") Flare | ø6.35 (ø1/4") Flare | ø6.35 (ø1/4") Flare | |
| | | mm (in.) | ø6.35 (ø1/4") Flare | ø6.35 (ø1/4") Flare | ø6.35 (ø1/4") Flare | ø6.35 (ø1/4") Flare | ø9.52 (ø3/8") Flare | |
| | Gas (R410A) (R22, R407C) | mm (in.) | ø12.7 (ø1/2") Flare | ø12.7 (ø1/2") Flare | ø12.7 (ø1/2") Flare | ø12.7 (ø1/2") Flare | ø12.7 (ø1/2") Flare | |
| | | mm (in.) | ø12.7 (ø1/2") Flare | ø12.7 (ø1/2") Flare | ø12.7 (ø1/2") Flare | ø12.7 (ø1/2") Flare | ø15.88 (ø5/8") Flare | |
| Unit drain pipe | | mm (in.) | O.D. ø16 (VP-16) | O.D. ø16 (VP-16) | O.D. ø20 (VP-20) | O.D. ø20 (VP-20) | O.D. ø20 (VP-20) | |
| Drawing | External | | IU-RG01-N631 | | | IU-RG01-N630 | | |
| | Wiring | | IU-RG71-J319 | | | IU-RG79-N550 | | |
| | Refrigerant cycle | | - | | | - | | |
| Standard attachment | | Document | Installation Manual, Instruction Book | | | | | |
| | | Accessory | | | | | | |
| Remark | | Optional parts | | | | | | |
| | | Installation | Details on foundation work, duct work, insulation work, electrical wiring, power source switch, and other items shall be referred to the Installation Manual. | | | | | |

| | | | | |
|---|--|---------------------------------|-------------------------------|---|
| Note : | *1 Nominal cooling conditions | *2 Nominal cooling conditions | *3 Nominal heating conditions | Unit converter |
| | Indoor : 27°CDB/19°CWB (81°FDB/66°FWB) | 27°CDB/19.5°CWB (81°FDB/67°FWB) | 20°CDB (68°FDB) | kcal/h = kW x 860 |
| | Outdoor : 35°CDB (95°FDB) | 35°CDB (95°FDB) | 7°CDB/6°CWB (45°FDB/43°FWB) | Btu/h = kW x 3,412 |
| | Pipe length : 7.5 m (24-9/16 ft) | 5 m (16-3/8 ft) | 7.5 m (24-9/16 ft) | cfm = m ³ /min x 35.31 |
| Level difference : 0 m (0 ft) | 0 m (0 ft) | 0 m (0 ft) | lb = kg / 0.4536 | |
| * Nominal conditions *1, *3 are subject to JIS B8615-1. | | | | *Above specification data is subject to rounding variation. |
| * Due to continuing improvement, above specification may be subject to change without notice. | | | | |

Ref.: Spec_PKFY-P-VGM-E

1. SPECIFICATIONS

| | | | | | | |
|---|-----------------------------|--|---|--|------|--|
| Model | | PKFY-P63VFM-E | | | | |
| Power source | | 1-phase 220-240V 50Hz, 220V 60Hz | | | | |
| Cooling capacity (Nominal) | *:1 | kW | 7.1 | | | |
| | *:1 | kcal / h | 6,100 | | | |
| | *:1 | Btu / h | 24,200 | | | |
| | *:2 | kcal / h | 6,300 | | | |
| | | Power input | kW | 0.12 | | |
| | | Current input | A | 0.55 | | |
| Heating capacity (Nominal) | *:3 | kW | 8.0 | | | |
| | *:3 | kcal / h | 6,900 | | | |
| | *:3 | Btu / h | 27,300 | | | |
| | | Power input | kW | 0.12 | | |
| | | | Current input | A | 0.55 | |
| External finish | | Plastic, White MUNSELL (3.4Y 7.7/0.8) | | | | |
| External dimension H x W x D | | mm | 340x1,400x235 | | | |
| | | in. | 13-7/16" x 55-1/8" x 9-5/16" | | | |
| Net weight | | kg (lb) | 24 (53 lb) | | | |
| Heat exchanger | | Cross fin (Aluminum fin and copper tube) | | | | |
| FAN | Type x Quantity | | Line flow fan x 2 | | | |
| | External static press. | Pa | 0 | | | |
| | | mmH ₂ O | 0 | | | |
| | Motor type | | 1-phase induction motor | | | |
| | Motor output | kW | 0.040 | | | |
| | Driving mechanism | | Direct-driven by motor | | | |
| | Airflow rate (Low-Mid-High) | m ³ / min | 15-20 | | | |
| L / s | | 250-333 | | | | |
| cfm | | 530-706 | | | | |
| Noise level (Low-Mid-High) (measured in anechoic room) | | dB <A> | 39-45 | | | |
| Insulation material | | Polyethylene sheet | | | | |
| Air filter | | PP honeycomb fabric | | | | |
| Protection device | | Fuse | | | | |
| Refrigerant control device | | LEV | | | | |
| Connectable outdoor unit | | R410A, R407C, R22 CITY MULTI | | | | |
| Diameter of refrigerant pipe | Liquid (R410A) (R22, R407C) | mm (in.) | ø9.52 (ø3/8") Flare | | | |
| | | Gas (R410A) (R22, R407C) | mm (in.) | ø15.88 (ø5/8") Flare ø15.88 (ø5/8") Flare | | |
| Unit drain pipe | | mm (in.) | O.D. ø20 (VP-20) | | | |
| Drawing | External | | IU-RG01V219 | | | |
| | Wiring | | IU-RG79V059 | | | |
| | Refrigerant cycle | | - | | | |
| Standard attachment | Document | | Installation Manual, Instruction Book | | | |
| | Accessory | | | | | |
| Remark | Optional parts | | | | | |
| | Installation | | Details on foundation work, duct work, insulation work, electrical wiring, power source switch, and other items shall be referred to the Installation Manual. | | | |

| | | | | |
|---|--|---------------------------------|--------------------------------|---|
| Note : | *:1 Nominal cooling conditions | *:2 Nominal cooling conditions | *:3 Nominal heating conditions | Unit converter kcal/h = kW x 860 Btu/h = kW x 3,412 cfm = m ³ /min x 35.31 lb = kg / 0.4536 |
| | Indoor : 27°CDB/19°CWB (81°FDB/66°FWB) | 27°CDB/19.5°CWB (81°FDB/67°FWB) | 20°CDB (68°FDB) | |
| | Outdoor : 35°CDB (95°FDB) | 35°CDB (95°FDB) | 7°CDB/6°CWB (45°FDB/43°FWB) | |
| | Pipe length : 7.5 m (24-9/16 ft) | 5 m (16-3/8 ft) | 7.5 m (24-9/16 ft) | |
| | Level difference : 0 m (0 ft) | 0 m (0 ft) | 0 m (0 ft) | |
| * Nominal conditions *:1, *:3 are subject to JIS B8615-1. | | | | *Above specification data is subject to rounding variation. |
| * Due to continuing improvement, above specification may be subject to change without notice. | | | | |

2. CAPACITY TABLES

R410A Data G2

2-1a. Cooling capacity in combination with PUHY,PUY,PURY-P200,250YGM

PKFY-P-VAM-E,VGM-E,VFM-E

CA : Capacity(kW) SHC : Sensible Heat Capacity(kW)

| Model size (Rated kW) | Outdoor air temp. | | Indoor air temp. | | | | | | | | | | | | | |
|--------------------------|-------------------|------|------------------|-----|-----------------|-----|-----------------|-----|-----------------|-----|-----------------|-----|-----------------|-----|-----------------|-----|
| | | | 71 °FDB / 59°FWB | | 73°FDB / 61°FWB | | 77°FDB / 64°FWB | | 81°FDB / 66°FWB | | 82°FDB / 68°FWB | | 86°FDB / 72°FWB | | 90°FDB / 75°FWB | |
| | °FDB | °CDB | CA | SHC | CA | SHC | CA | SHC | CA | SHC | CA | SHC | CA | SHC | CA | SHC |
| 20 (2.2) | 68 | 20.0 | 2.1 | 1.5 | 2.2 | 1.5 | 2.3 | 1.5 | 2.4 | 1.5 | 2.5 | 1.6 | 2.6 | 1.6 | 2.8 | 1.6 |
| | 73 | 22.5 | 2.1 | 1.5 | 2.2 | 1.5 | 2.3 | 1.5 | 2.4 | 1.5 | 2.5 | 1.6 | 2.6 | 1.6 | 2.8 | 1.6 |
| | 77 | 25.0 | 2.1 | 1.5 | 2.2 | 1.5 | 2.3 | 1.5 | 2.4 | 1.5 | 2.4 | 1.6 | 2.6 | 1.6 | 2.7 | 1.5 |
| | 82 | 27.5 | 2.1 | 1.5 | 2.1 | 1.5 | 2.3 | 1.5 | 2.3 | 1.5 | 2.4 | 1.6 | 2.5 | 1.5 | 2.7 | 1.5 |
| | 86 | 30.0 | 2.0 | 1.5 | 2.1 | 1.5 | 2.2 | 1.5 | 2.3 | 1.5 | 2.3 | 1.5 | 2.5 | 1.5 | 2.6 | 1.5 |
| | 91 | 32.5 | 2.0 | 1.4 | 2.1 | 1.5 | 2.2 | 1.5 | 2.2 | 1.5 | 2.3 | 1.5 | 2.4 | 1.5 | 2.6 | 1.5 |
| | 95 | 35.0 | 2.0 | 1.4 | 2.0 | 1.5 | 2.1 | 1.4 | 2.2 | 1.5 | 2.3 | 1.5 | 2.4 | 1.5 | 2.5 | 1.5 |
| | 100 | 37.5 | 1.9 | 1.4 | 2.0 | 1.4 | 2.1 | 1.4 | 2.1 | 1.4 | 2.2 | 1.5 | 2.3 | 1.5 | 2.5 | 1.4 |
| | 104 | 40.0 | 1.9 | 1.4 | 1.9 | 1.4 | 2.1 | 1.4 | 2.1 | 1.4 | 2.2 | 1.5 | 2.3 | 1.4 | 2.4 | 1.4 |
| | 110 | 43.0 | 1.8 | 1.4 | 1.9 | 1.4 | 2.0 | 1.4 | 2.0 | 1.4 | 2.1 | 1.4 | 2.2 | 1.4 | 2.4 | 1.4 |
| 25 (2.8) | 68 | 20.0 | 2.7 | 1.9 | 2.8 | 1.9 | 2.9 | 1.9 | 3.0 | 1.9 | 3.1 | 2.0 | 3.3 | 2.0 | 3.5 | 2.0 |
| | 73 | 22.5 | 2.7 | 1.9 | 2.8 | 1.9 | 2.9 | 1.9 | 3.0 | 1.9 | 3.1 | 2.0 | 3.3 | 2.0 | 3.5 | 2.0 |
| | 77 | 25.0 | 2.7 | 1.9 | 2.8 | 1.9 | 2.9 | 1.9 | 3.0 | 1.9 | 3.1 | 2.0 | 3.3 | 2.0 | 3.5 | 1.9 |
| | 82 | 27.5 | 2.6 | 1.9 | 2.7 | 1.9 | 2.9 | 1.9 | 3.0 | 1.9 | 3.1 | 2.0 | 3.2 | 1.9 | 3.4 | 1.9 |
| | 86 | 30.0 | 2.6 | 1.8 | 2.7 | 1.9 | 2.8 | 1.9 | 2.9 | 1.9 | 3.0 | 1.9 | 3.1 | 1.9 | 3.3 | 1.9 |
| | 91 | 32.5 | 2.5 | 1.8 | 2.6 | 1.9 | 2.8 | 1.8 | 2.8 | 1.8 | 2.9 | 1.9 | 3.1 | 1.9 | 3.3 | 1.9 |
| | 95 | 35.0 | 2.5 | 1.8 | 2.6 | 1.8 | 2.7 | 1.8 | 2.8 | 1.8 | 2.9 | 1.9 | 3.0 | 1.9 | 3.2 | 1.8 |
| | 100 | 37.5 | 2.5 | 1.8 | 2.5 | 1.8 | 2.7 | 1.8 | 2.7 | 1.8 | 2.8 | 1.9 | 3.0 | 1.8 | 3.1 | 1.8 |
| | 104 | 40.0 | 2.4 | 1.7 | 2.5 | 1.8 | 2.6 | 1.8 | 2.7 | 1.8 | 2.8 | 1.8 | 2.9 | 1.8 | 3.1 | 1.8 |
| | 110 | 43.0 | 2.4 | 1.7 | 2.4 | 1.8 | 2.6 | 1.7 | 2.6 | 1.7 | 2.7 | 1.8 | 2.8 | 1.8 | 3.0 | 1.7 |
| 32 (3.6) | 68 | 20.0 | 3.4 | 2.7 | 3.5 | 2.8 | 3.8 | 2.7 | 3.9 | 2.8 | 4.0 | 2.9 | 4.2 | 2.8 | 4.6 | 2.8 |
| | 73 | 22.5 | 3.4 | 2.7 | 3.5 | 2.8 | 3.8 | 2.7 | 3.9 | 2.8 | 4.0 | 2.9 | 4.2 | 2.8 | 4.6 | 2.8 |
| | 77 | 25.0 | 3.4 | 2.7 | 3.5 | 2.8 | 3.8 | 2.7 | 3.9 | 2.8 | 4.0 | 2.9 | 4.2 | 2.8 | 4.5 | 2.8 |
| | 82 | 27.5 | 3.4 | 2.7 | 3.5 | 2.7 | 3.7 | 2.7 | 3.8 | 2.7 | 3.9 | 2.9 | 4.1 | 2.8 | 4.4 | 2.8 |
| | 86 | 30.0 | 3.3 | 2.6 | 3.4 | 2.7 | 3.6 | 2.7 | 3.7 | 2.7 | 3.8 | 2.8 | 4.0 | 2.8 | 4.3 | 2.7 |
| | 91 | 32.5 | 3.3 | 2.6 | 3.4 | 2.7 | 3.6 | 2.6 | 3.7 | 2.7 | 3.8 | 2.8 | 4.0 | 2.7 | 4.2 | 2.7 |
| | 95 | 35.0 | 3.2 | 2.6 | 3.3 | 2.6 | 3.5 | 2.6 | 3.6 | 2.7 | 3.7 | 2.8 | 3.9 | 2.7 | 4.1 | 2.7 |
| | 100 | 37.5 | 3.2 | 2.5 | 3.2 | 2.6 | 3.4 | 2.6 | 3.5 | 2.6 | 3.6 | 2.7 | 3.8 | 2.7 | 4.0 | 2.6 |
| | 104 | 40.0 | 3.1 | 2.5 | 3.2 | 2.6 | 3.4 | 2.6 | 3.5 | 2.6 | 3.6 | 2.7 | 3.7 | 2.7 | 4.0 | 2.6 |
| | 110 | 43.0 | 3.0 | 2.5 | 3.1 | 2.6 | 3.3 | 2.5 | 3.3 | 2.6 | 3.5 | 2.7 | 3.6 | 2.6 | 3.9 | 2.6 |
| 40 (4.5) | 68 | 20.0 | 4.3 | 3.2 | 4.4 | 3.3 | 4.7 | 3.3 | 4.9 | 3.3 | 5.0 | 3.4 | 5.3 | 3.4 | 5.7 | 3.4 |
| | 73 | 22.5 | 4.3 | 3.2 | 4.4 | 3.3 | 4.7 | 3.3 | 4.9 | 3.3 | 5.0 | 3.4 | 5.3 | 3.4 | 5.7 | 3.4 |
| | 77 | 25.0 | 4.3 | 3.2 | 4.4 | 3.3 | 4.7 | 3.3 | 4.9 | 3.3 | 5.0 | 3.4 | 5.3 | 3.4 | 5.6 | 3.3 |
| | 82 | 27.5 | 4.3 | 3.2 | 4.4 | 3.3 | 4.6 | 3.2 | 4.8 | 3.3 | 4.9 | 3.4 | 5.2 | 3.3 | 5.5 | 3.3 |
| | 86 | 30.0 | 4.2 | 3.2 | 4.3 | 3.2 | 4.6 | 3.2 | 4.7 | 3.2 | 4.8 | 3.4 | 5.0 | 3.3 | 5.4 | 3.3 |
| | 91 | 32.5 | 4.1 | 3.1 | 4.2 | 3.2 | 4.5 | 3.2 | 4.6 | 3.2 | 4.7 | 3.3 | 5.0 | 3.3 | 5.3 | 3.2 |
| | 95 | 35.0 | 4.0 | 3.1 | 4.1 | 3.2 | 4.4 | 3.1 | 4.5 | 3.2 | 4.6 | 3.3 | 4.9 | 3.2 | 5.2 | 3.2 |
| | 100 | 37.5 | 3.9 | 3.0 | 4.1 | 3.1 | 4.3 | 3.1 | 4.4 | 3.1 | 4.5 | 3.2 | 4.8 | 3.2 | 5.0 | 3.1 |
| | 104 | 40.0 | 3.9 | 3.0 | 4.0 | 3.1 | 4.2 | 3.1 | 4.3 | 3.1 | 4.5 | 3.2 | 4.7 | 3.1 | 5.0 | 3.1 |
| | 110 | 43.0 | 3.8 | 3.0 | 3.9 | 3.0 | 4.1 | 3.0 | 4.2 | 3.0 | 4.3 | 3.2 | 4.5 | 3.1 | 4.8 | 3.1 |
| 50 (5.6) | 68 | 20.0 | 5.3 | 3.8 | 5.5 | 3.9 | 5.9 | 3.9 | 6.0 | 3.9 | 6.2 | 4.1 | 6.6 | 4.0 | 7.1 | 4.0 |
| | 73 | 22.5 | 5.3 | 3.8 | 5.5 | 3.9 | 5.9 | 3.9 | 6.0 | 3.9 | 6.2 | 4.1 | 6.6 | 4.0 | 7.1 | 4.0 |
| | 77 | 25.0 | 5.3 | 3.8 | 5.5 | 3.9 | 5.9 | 3.9 | 6.0 | 3.9 | 6.2 | 4.0 | 6.6 | 4.0 | 6.9 | 3.9 |
| | 82 | 27.5 | 5.3 | 3.8 | 5.5 | 3.9 | 5.8 | 3.8 | 5.9 | 3.9 | 6.1 | 4.0 | 6.4 | 3.9 | 6.8 | 3.9 |
| | 86 | 30.0 | 5.2 | 3.7 | 5.3 | 3.8 | 5.7 | 3.8 | 5.8 | 3.8 | 6.0 | 3.9 | 6.3 | 3.9 | 6.7 | 3.8 |
| | 91 | 32.5 | 5.1 | 3.7 | 5.3 | 3.8 | 5.5 | 3.7 | 5.7 | 3.7 | 5.9 | 3.9 | 6.2 | 3.8 | 6.6 | 3.8 |
| | 95 | 35.0 | 5.0 | 3.6 | 5.2 | 3.7 | 5.5 | 3.7 | 5.6 | 3.7 | 5.7 | 3.8 | 6.0 | 3.8 | 6.4 | 3.7 |
| | 100 | 37.5 | 4.9 | 3.6 | 5.0 | 3.7 | 5.3 | 3.6 | 5.5 | 3.6 | 5.6 | 3.8 | 5.9 | 3.7 | 6.3 | 3.7 |
| | 104 | 40.0 | 4.8 | 3.5 | 5.0 | 3.6 | 5.3 | 3.6 | 5.4 | 3.6 | 5.5 | 3.7 | 5.8 | 3.7 | 6.2 | 3.6 |
| | 110 | 43.0 | 4.7 | 3.5 | 4.8 | 3.6 | 5.1 | 3.5 | 5.2 | 3.5 | 5.4 | 3.7 | 5.7 | 3.6 | 6.0 | 3.6 |
| 63 (7.1) | 68 | 20.0 | 6.7 | 5.2 | 7.0 | 5.4 | 7.5 | 5.3 | 7.7 | 5.4 | 7.9 | 5.6 | 8.4 | 5.6 | 9.0 | 5.5 |
| | 73 | 22.5 | 6.7 | 5.2 | 7.0 | 5.4 | 7.5 | 5.3 | 7.7 | 5.4 | 7.9 | 5.6 | 8.4 | 5.6 | 9.0 | 5.5 |
| | 77 | 25.0 | 6.7 | 5.2 | 7.0 | 5.4 | 7.5 | 5.3 | 7.7 | 5.4 | 7.8 | 5.6 | 8.3 | 5.5 | 8.8 | 5.4 |
| | 82 | 27.5 | 6.7 | 5.2 | 6.9 | 5.3 | 7.3 | 5.3 | 7.5 | 5.4 | 7.7 | 5.6 | 8.1 | 5.5 | 8.7 | 5.4 |
| | 86 | 30.0 | 6.6 | 5.1 | 6.8 | 5.3 | 7.2 | 5.2 | 7.4 | 5.3 | 7.6 | 5.5 | 8.0 | 5.4 | 8.5 | 5.3 |
| | 91 | 32.5 | 6.5 | 5.1 | 6.7 | 5.2 | 7.0 | 5.1 | 7.2 | 5.2 | 7.4 | 5.4 | 7.8 | 5.3 | 8.3 | 5.3 |
| | 95 | 35.0 | 6.4 | 5.0 | 6.5 | 5.2 | 6.9 | 5.1 | 7.1 | 5.2 | 7.3 | 5.4 | 7.7 | 5.3 | 8.1 | 5.2 |
| | 100 | 37.5 | 6.2 | 4.9 | 6.4 | 5.1 | 6.8 | 5.0 | 6.9 | 5.1 | 7.1 | 5.3 | 7.5 | 5.2 | 8.0 | 5.1 |
| | 104 | 40.0 | 6.1 | 4.9 | 6.3 | 5.0 | 6.7 | 5.0 | 6.8 | 5.1 | 7.0 | 5.3 | 7.3 | 5.2 | 7.8 | 5.1 |
| | 110 | 43.0 | 6.0 | 4.8 | 6.1 | 5.0 | 6.5 | 4.9 | 6.6 | 5.0 | 6.8 | 5.2 | 7.2 | 5.1 | 7.6 | 5.0 |
| 100 (11.2) | 68 | 20.0 | 10.6 | 7.8 | 11.0 | 8.0 | 11.8 | 8.0 | 12.1 | 8.1 | 12.5 | 8.4 | 13.2 | 8.2 | 14.2 | 8.2 |
| | 73 | 22.5 | 10.6 | 7.8 | 11.0 | 8.0 | 11.8 | 8.0 | 12.1 | 8.1 | 12.5 | 8.4 | 13.2 | 8.2 | 14.2 | 8.2 |
| | 77 | 25.0 | 10.6 | 7.8 | 11.0 | 8.0 | 11.8 | 8.0 | 12.1 | 8.1 | 12.4 | 8.3 | 13.1 | 8.2 | 13.9 | 8.1 |
| | 82 | 27.5 | 10.6 | 7.7 | 10.9 | 8.0 | 11.5 | 7.9 | 11.9 | 8.0 | 12.2 | 8.2 | 12.8 | 8.1 | 13.7 | 8.0 |
| | 86 | 30.0 | 10.4 | 7.7 | 10.7 | 7.9 | 11.3 | 7.8 | 11.6 | 7.9 | 11.9 | 8.1 | 12.5 | 8.0 | 13.4 | 7.9 |
| | 91 | 32.5 | 10.2 | 7.5 | 10.5 | 7.8 | 11.1 | 7.7 | 11.4 | 7.7 | 11.7 | 8.0 | 12.3 | 7.9 | 13.1 | 7.8 |
| | 95 | 35.0 | 10.0 | 7.5 | 10.3 | 7.7 | 10.9 | 7.6 | 11.2 | 7.7 | 11.5 | 7.9 | 12.1 | 7.8 | 12.8 | 7.7 |
| | 100 | 37.5 | 9.8 | 7.4 | 10.1 | 7.6 | 10.7 | 7.5 | 10.9 | 7.6 | 11.3 | 7.8 | 11.9 | 7.7 | 12.5 | 7.6 |
| | 104 | 40.0 | 9.6 | 7.3 | 9.9 | 7.5 | 10.5 | 7.4 | 10.8 | 7.5 | 11.1 | 7.8 | 11.6 | 7.6 | 12.3 | 7.5 |
| | 110 | 43.0 | 9.4 | 7.2 | 9.7 | 7.4 | 10.2 | 7.3 | 10.4 | 7.3 | 10.8 | 7.6 | 11.3 | 7.5 | 12.0 | 7.4 |

kcal/h = kW x 860, Btu/h = kW x 3,412

2. CAPACITY TABLES

R410A Data G2

2-1b. Heating capacity in combination with PUHY,PUY,PURY-P200,250YGM

PKFY-P-VAM-E,VGM-E,VFM-E SHC : Sensible Heat Capacity(kW)

SHC : Sensible Heat Capacity(kW)

| Model size (Rated kW) | Outdoor air temp. | | Indoor air temp. | | | |
|--------------------------|-------------------|-------|------------------|----------|----------|----------|
| | | | 59 °FDB | 68 °FDB | 77 °FDB | 81 °FDB |
| | | | 15.0°CDB | 20.0°CDB | 25.0°CDB | 27.0°CDB |
| | °FWB | °CWB | SHC | SHC | SHC | SHC |
| 20 (2.2) | -4 | -20.0 | 1.3 | 1.3 | 1.3 | 1.3 |
| | 5 | -15.0 | 1.6 | 1.5 | 1.5 | 1.5 |
| | 14 | -10.0 | 1.8 | 1.8 | 1.8 | 1.7 |
| | 23 | -5.0 | 2.1 | 2.1 | 2.0 | 1.8 |
| | 32 | 0.0 | 2.4 | 2.4 | 2.0 | 1.8 |
| | 37 | 2.5 | 2.5 | 2.5 | 2.0 | 1.8 |
| | 43 | 6.0 | 2.6 | 2.5 | 2.0 | 1.8 |
| | 46 | 7.5 | 2.7 | 2.5 | 2.0 | 1.8 |
| | 50 | 10.0 | 2.9 | 2.5 | 2.0 | 1.8 |
| | 55 | 12.5 | 3.0 | 2.5 | 2.0 | 1.8 |
| 60 | 15.5 | 3.2 | 2.5 | 2.0 | 1.8 | |
| 25 (2.8) | -4 | -20.0 | 1.6 | 1.6 | 1.6 | 1.6 |
| | 5 | -15.0 | 2.0 | 2.0 | 1.9 | 1.9 |
| | 14 | -10.0 | 2.3 | 2.3 | 2.2 | 2.2 |
| | 23 | -5.0 | 2.7 | 2.7 | 2.6 | 2.2 |
| | 32 | 0.0 | 3.0 | 3.0 | 2.6 | 2.2 |
| | 37 | 2.5 | 3.2 | 3.2 | 2.6 | 2.2 |
| | 43 | 6.0 | 3.3 | 3.2 | 2.6 | 2.2 |
| | 46 | 7.5 | 3.4 | 3.2 | 2.6 | 2.2 |
| | 50 | 10.0 | 3.6 | 3.2 | 2.6 | 2.2 |
| | 55 | 12.5 | 3.9 | 3.2 | 2.6 | 2.2 |
| 60 | 15.5 | 4.1 | 3.2 | 2.6 | 2.2 | |
| 32 (3.6) | -4 | -20.0 | 2.1 | 2.0 | 2.0 | 2.0 |
| | 5 | -15.0 | 2.5 | 2.4 | 2.4 | 2.4 |
| | 14 | -10.0 | 2.9 | 2.9 | 2.8 | 2.7 |
| | 23 | -5.0 | 3.4 | 3.3 | 3.2 | 2.8 |
| | 32 | 0.0 | 3.8 | 3.8 | 3.2 | 2.8 |
| | 37 | 2.5 | 4.0 | 4.0 | 3.2 | 2.8 |
| | 43 | 6.0 | 4.2 | 4.0 | 3.2 | 2.8 |
| | 46 | 7.5 | 4.3 | 4.0 | 3.2 | 2.8 |
| | 50 | 10.0 | 4.6 | 4.0 | 3.2 | 2.8 |
| | 55 | 12.5 | 4.8 | 4.0 | 3.2 | 2.8 |
| 60 | 15.5 | 5.1 | 4.0 | 3.2 | 2.8 | |
| 40 (4.5) | -4 | -20.0 | 2.6 | 2.5 | 2.5 | 2.5 |
| | 5 | -15.0 | 3.1 | 3.1 | 3.0 | 3.0 |
| | 14 | -10.0 | 3.7 | 3.6 | 3.5 | 3.4 |
| | 23 | -5.0 | 4.2 | 4.2 | 4.0 | 3.5 |
| | 32 | 0.0 | 4.7 | 4.7 | 4.0 | 3.5 |
| | 37 | 2.5 | 5.0 | 5.0 | 4.0 | 3.5 |
| | 43 | 6.0 | 5.2 | 5.0 | 4.0 | 3.5 |
| | 46 | 7.5 | 5.4 | 5.0 | 4.0 | 3.5 |
| | 50 | 10.0 | 5.7 | 5.0 | 4.0 | 3.5 |
| | 55 | 12.5 | 6.0 | 5.0 | 4.0 | 3.5 |
| 60 | 15.5 | 6.4 | 5.0 | 4.0 | 3.5 | |

| Model size (Rated kW) | Outdoor air temp. | | Indoor air temp. | | | |
|--------------------------|-------------------|-------|------------------|----------|----------|----------|
| | | | 59 °FDB | 68 °FDB | 77 °FDB | 81 °FDB |
| | | | 15.0°CDB | 20.0°CDB | 25.0°CDB | 27.0°CDB |
| | °FWB | °CWB | SHC | SHC | SHC | SHC |
| 50 (5.6) | -4 | -20.0 | 3.2 | 3.2 | 3.2 | 3.2 |
| | 5 | -15.0 | 3.9 | 3.8 | 3.8 | 3.7 |
| | 14 | -10.0 | 4.6 | 4.5 | 4.4 | 4.3 |
| | 23 | -5.0 | 5.3 | 5.2 | 5.0 | 4.4 |
| | 32 | 0.0 | 6.0 | 5.9 | 5.0 | 4.4 |
| | 37 | 2.5 | 6.3 | 6.2 | 5.0 | 4.4 |
| | 43 | 6.0 | 6.6 | 6.3 | 5.0 | 4.4 |
| | 46 | 7.5 | 6.8 | 6.3 | 5.0 | 4.4 |
| | 50 | 10.0 | 7.2 | 6.3 | 5.0 | 4.4 |
| | 55 | 12.5 | 7.6 | 6.3 | 5.0 | 4.4 |
| 60 | 15.5 | 8.1 | 6.3 | 5.0 | 4.4 | |
| 63 (7.1) | -4 | -20.0 | 4.1 | 4.0 | 4.0 | 4.0 |
| | 5 | -15.0 | 5.0 | 4.9 | 4.8 | 4.7 |
| | 14 | -10.0 | 5.8 | 5.8 | 5.6 | 5.5 |
| | 23 | -5.0 | 6.7 | 6.6 | 6.4 | 5.6 |
| | 32 | 0.0 | 7.6 | 7.5 | 6.4 | 5.6 |
| | 37 | 2.5 | 8.0 | 7.9 | 6.4 | 5.6 |
| | 43 | 6.0 | 8.3 | 8.0 | 6.4 | 5.6 |
| | 46 | 7.5 | 8.6 | 8.0 | 6.4 | 5.6 |
| | 50 | 10.0 | 9.1 | 8.0 | 6.4 | 5.6 |
| | 55 | 12.5 | 9.6 | 8.0 | 6.4 | 5.6 |
| 60 | 15.5 | 10.2 | 8.0 | 6.4 | 5.6 | |
| 100 (11.2) | -4 | -20.0 | 6.4 | 6.3 | 6.3 | 6.3 |
| | 5 | -15.0 | 7.8 | 7.6 | 7.5 | 7.4 |
| | 14 | -10.0 | 9.1 | 9.0 | 8.8 | 8.6 |
| | 23 | -5.0 | 10.5 | 10.4 | 10.0 | 8.8 |
| | 32 | 0.0 | 11.8 | 11.8 | 10.0 | 8.8 |
| | 37 | 2.5 | 12.5 | 12.4 | 10.0 | 8.8 |
| | 43 | 6.0 | 13.0 | 12.5 | 10.0 | 8.8 |
| | 46 | 7.5 | 13.4 | 12.5 | 10.0 | 8.8 |
| | 50 | 10.0 | 14.3 | 12.5 | 10.0 | 8.8 |
| | 55 | 12.5 | 15.1 | 12.5 | 10.0 | 8.8 |
| 60 | 15.5 | 16.0 | 12.5 | 10.0 | 8.8 | |

kcal/h = kW x 860, Btu/h = kW x 3,412

2. CAPACITY TABLES

R410A Data G2

2-2a. Cooling capacity in combination with PUHY,PUY,PURY-P300,350YGM / PUHY,PURY-P400YGM

PKFY-P-VAM-E,VGM-E,VFM-E

CA : Capacity(kW) SHC : Sensible Heat Capacity(kW)

| Model size (Rated kW) | Outdoor air temp. | | Indoor air temp. | | | | | | | | | | | | | |
|--------------------------|-------------------|------|------------------|-----|---------------|------|---------------|------|---------------|------|---------------|------|---------------|------|---------------|-----|
| | | | 71°FDB/59°FWB | | 73°FDB/61°FWB | | 77°FDB/64°FWB | | 81°FDB/66°FWB | | 82°FDB/68°FWB | | 86°FDB/72°FWB | | 90°FDB/75°FWB | |
| | | | 21.5°CDB/15°CWB | | 23°CDB/16°CWB | | 25°CDB/18°CWB | | 27°CDB/19°CWB | | 28°CDB/20°CWB | | 30°CDB/22°CWB | | 32°CDB/24°CWB | |
| | °FDB | °CDB | CA | SHC | CA | SHC | CA | SHC | CA | SHC | CA | SHC | CA | SHC | CA | SHC |
| 20 (2.2) | 68 | 20.0 | 2.1 | 1.5 | 2.2 | 1.6 | 2.4 | 1.6 | 2.5 | 1.6 | 2.5 | 1.6 | 2.7 | 1.6 | 2.9 | 1.6 |
| | 73 | 22.5 | 2.1 | 1.5 | 2.2 | 1.6 | 2.3 | 1.5 | 2.4 | 1.6 | 2.5 | 1.6 | 2.6 | 1.6 | 2.8 | 1.6 |
| | 77 | 25.0 | 2.1 | 1.5 | 2.2 | 1.5 | 2.3 | 1.5 | 2.4 | 1.5 | 2.4 | 1.6 | 2.6 | 1.6 | 2.8 | 1.5 |
| | 82 | 27.5 | 2.1 | 1.5 | 2.1 | 1.5 | 2.3 | 1.5 | 2.3 | 1.5 | 2.4 | 1.6 | 2.5 | 1.6 | 2.7 | 1.5 |
| | 86 | 30.0 | 2.0 | 1.5 | 2.1 | 1.5 | 2.2 | 1.5 | 2.3 | 1.5 | 2.4 | 1.6 | 2.5 | 1.5 | 2.6 | 1.5 |
| | 91 | 32.5 | 2.0 | 1.4 | 2.0 | 1.5 | 2.2 | 1.5 | 2.2 | 1.5 | 2.3 | 1.5 | 2.4 | 1.5 | 2.6 | 1.5 |
| | 95 | 35.0 | 2.0 | 1.4 | 2.0 | 1.4 | 2.1 | 1.4 | 2.2 | 1.5 | 2.3 | 1.5 | 2.4 | 1.5 | 2.5 | 1.5 |
| | 100 | 37.5 | 1.9 | 1.4 | 1.9 | 1.4 | 2.1 | 1.4 | 2.1 | 1.4 | 2.2 | 1.5 | 2.4 | 1.5 | 2.5 | 1.4 |
| | 104 | 40.0 | 1.9 | 1.4 | 1.9 | 1.4 | 2.0 | 1.4 | 2.1 | 1.4 | 2.4 | 1.6 | 2.3 | 1.5 | 2.4 | 1.4 |
| 110 | 43.0 | 1.8 | 1.4 | 1.8 | 1.4 | 2.0 | 1.4 | 2.0 | 1.4 | 2.1 | 1.4 | 2.2 | 1.4 | 2.4 | 1.4 | |
| 25 (2.8) | 68 | 20.0 | 2.7 | 1.9 | 2.8 | 2.0 | 3.0 | 2.0 | 3.1 | 2.0 | 3.2 | 2.1 | 3.4 | 2.0 | 3.6 | 2.0 |
| | 73 | 22.5 | 2.7 | 1.9 | 2.8 | 1.9 | 3.0 | 1.9 | 3.1 | 2.0 | 3.2 | 2.0 | 3.4 | 2.0 | 3.6 | 2.0 |
| | 77 | 25.0 | 2.7 | 1.9 | 2.7 | 1.9 | 2.9 | 1.9 | 3.0 | 1.9 | 3.1 | 2.0 | 3.3 | 2.0 | 3.5 | 1.9 |
| | 82 | 27.5 | 2.6 | 1.9 | 2.7 | 1.9 | 2.9 | 1.9 | 3.0 | 1.9 | 3.1 | 2.0 | 3.2 | 1.9 | 3.4 | 1.9 |
| | 86 | 30.0 | 2.6 | 1.8 | 2.6 | 1.9 | 2.8 | 1.9 | 2.9 | 1.9 | 3.0 | 1.9 | 3.2 | 1.9 | 3.4 | 1.9 |
| | 91 | 32.5 | 2.5 | 1.8 | 2.6 | 1.8 | 2.8 | 1.8 | 2.9 | 1.9 | 2.9 | 1.9 | 3.1 | 1.9 | 3.3 | 1.9 |
| | 95 | 35.0 | 2.5 | 1.8 | 2.5 | 1.8 | 2.7 | 1.8 | 2.8 | 1.8 | 2.9 | 1.9 | 3.1 | 1.9 | 3.2 | 1.8 |
| | 100 | 37.5 | 2.5 | 1.8 | 2.5 | 1.8 | 2.6 | 1.8 | 2.7 | 1.8 | 2.8 | 1.9 | 3.0 | 1.8 | 3.2 | 1.8 |
| | 104 | 40.0 | 2.4 | 1.7 | 2.4 | 1.8 | 2.6 | 1.8 | 2.7 | 1.8 | 3.0 | 2.0 | 2.9 | 1.8 | 3.1 | 1.8 |
| 110 | 43.0 | 2.4 | 1.7 | 2.4 | 1.7 | 2.5 | 1.7 | 2.6 | 1.7 | 2.7 | 1.8 | 2.8 | 1.8 | 3.0 | 1.8 | |
| 32 (3.6) | 68 | 20.0 | 3.5 | 2.7 | 3.6 | 2.8 | 3.9 | 2.8 | 4.0 | 2.8 | 4.2 | 2.9 | 4.4 | 2.9 | 4.7 | 2.9 |
| | 73 | 22.5 | 3.5 | 2.7 | 3.6 | 2.8 | 3.8 | 2.8 | 4.0 | 2.8 | 4.1 | 2.9 | 4.3 | 2.9 | 4.6 | 2.8 |
| | 77 | 25.0 | 3.4 | 2.7 | 3.5 | 2.7 | 3.8 | 2.7 | 3.9 | 2.8 | 4.0 | 2.9 | 4.2 | 2.8 | 4.5 | 2.8 |
| | 82 | 27.5 | 3.4 | 2.6 | 3.5 | 2.7 | 3.7 | 2.7 | 3.8 | 2.7 | 3.9 | 2.9 | 4.2 | 2.8 | 4.4 | 2.8 |
| | 86 | 30.0 | 3.3 | 2.6 | 3.4 | 2.7 | 3.6 | 2.7 | 3.7 | 2.7 | 3.9 | 2.8 | 4.1 | 2.8 | 4.3 | 2.7 |
| | 91 | 32.5 | 3.3 | 2.6 | 3.3 | 2.7 | 3.5 | 2.6 | 3.7 | 2.7 | 3.8 | 2.8 | 4.0 | 2.8 | 4.2 | 2.7 |
| | 95 | 35.0 | 3.2 | 2.6 | 3.3 | 2.6 | 3.5 | 2.6 | 3.6 | 2.7 | 3.7 | 2.8 | 3.9 | 2.7 | 4.2 | 2.7 |
| | 100 | 37.5 | 3.2 | 2.5 | 3.2 | 2.6 | 3.4 | 2.6 | 3.5 | 2.6 | 3.6 | 2.7 | 3.9 | 2.7 | 4.1 | 2.7 |
| | 104 | 40.0 | 3.1 | 2.5 | 3.1 | 2.6 | 3.3 | 2.5 | 3.4 | 2.6 | 3.9 | 2.8 | 3.8 | 2.7 | 4.0 | 2.6 |
| 110 | 43.0 | 3.0 | 2.5 | 3.0 | 2.5 | 3.2 | 2.5 | 3.3 | 2.6 | 3.4 | 2.7 | 3.7 | 2.6 | 3.9 | 2.6 | |
| 40 (4.5) | 68 | 20.0 | 4.4 | 3.2 | 4.5 | 3.3 | 4.9 | 3.3 | 5.0 | 3.4 | 5.2 | 3.5 | 5.5 | 3.5 | 5.9 | 3.4 |
| | 73 | 22.5 | 4.3 | 3.2 | 4.5 | 3.3 | 4.8 | 3.3 | 5.0 | 3.4 | 5.1 | 3.5 | 5.4 | 3.4 | 5.7 | 3.4 |
| | 77 | 25.0 | 4.3 | 3.2 | 4.4 | 3.3 | 4.7 | 3.3 | 4.9 | 3.3 | 5.0 | 3.4 | 5.3 | 3.4 | 5.6 | 3.3 |
| | 82 | 27.5 | 4.2 | 3.2 | 4.3 | 3.2 | 4.6 | 3.2 | 4.8 | 3.3 | 4.9 | 3.4 | 5.2 | 3.4 | 5.5 | 3.3 |
| | 86 | 30.0 | 4.1 | 3.1 | 4.2 | 3.2 | 4.5 | 3.2 | 4.7 | 3.2 | 4.8 | 3.4 | 5.1 | 3.3 | 5.4 | 3.3 |
| | 91 | 32.5 | 4.1 | 3.1 | 4.2 | 3.2 | 4.4 | 3.1 | 4.6 | 3.2 | 4.7 | 3.3 | 5.0 | 3.3 | 5.3 | 3.2 |
| | 95 | 35.0 | 4.0 | 3.1 | 4.1 | 3.1 | 4.3 | 3.1 | 4.5 | 3.2 | 4.6 | 3.3 | 4.9 | 3.2 | 5.2 | 3.2 |
| | 100 | 37.5 | 4.0 | 3.0 | 4.0 | 3.1 | 4.3 | 3.1 | 4.4 | 3.1 | 4.5 | 3.3 | 4.8 | 3.2 | 5.1 | 3.2 |
| | 104 | 40.0 | 3.9 | 3.0 | 3.9 | 3.0 | 4.2 | 3.0 | 4.3 | 3.1 | 4.9 | 3.4 | 4.7 | 3.2 | 5.0 | 3.1 |
| 110 | 43.0 | 3.8 | 3.0 | 3.8 | 3.0 | 4.1 | 3.0 | 4.2 | 3.0 | 4.3 | 3.2 | 4.6 | 3.1 | 4.8 | 3.1 | |
| 50 (5.6) | 68 | 20.0 | 5.4 | 3.8 | 5.6 | 4.0 | 6.0 | 4.0 | 6.3 | 4.0 | 6.5 | 4.2 | 6.9 | 4.1 | 7.3 | 4.0 |
| | 73 | 22.5 | 5.4 | 3.8 | 5.6 | 3.9 | 6.0 | 3.9 | 6.2 | 4.0 | 6.4 | 4.1 | 6.7 | 4.0 | 7.1 | 4.0 |
| | 77 | 25.0 | 5.3 | 3.8 | 5.5 | 3.9 | 5.9 | 3.9 | 6.0 | 3.9 | 6.2 | 4.0 | 6.6 | 4.0 | 7.0 | 3.9 |
| | 82 | 27.5 | 5.2 | 3.7 | 5.4 | 3.8 | 5.7 | 3.8 | 5.9 | 3.9 | 6.1 | 4.0 | 6.5 | 3.9 | 6.9 | 3.9 |
| | 86 | 30.0 | 5.2 | 3.7 | 5.3 | 3.8 | 5.6 | 3.8 | 5.8 | 3.8 | 6.0 | 3.9 | 6.4 | 3.9 | 6.7 | 3.8 |
| | 91 | 32.5 | 5.1 | 3.7 | 5.2 | 3.7 | 5.5 | 3.7 | 5.7 | 3.8 | 5.9 | 3.9 | 6.2 | 3.8 | 6.6 | 3.8 |
| | 95 | 35.0 | 5.0 | 3.6 | 5.1 | 3.7 | 5.4 | 3.6 | 5.6 | 3.7 | 5.8 | 3.8 | 6.1 | 3.8 | 6.5 | 3.7 |
| | 100 | 37.5 | 4.9 | 3.6 | 5.0 | 3.6 | 5.3 | 3.6 | 5.5 | 3.6 | 5.7 | 3.8 | 6.0 | 3.7 | 6.3 | 3.7 |
| | 104 | 40.0 | 4.8 | 3.5 | 4.8 | 3.6 | 5.2 | 3.5 | 5.3 | 3.6 | 6.1 | 4.0 | 5.9 | 3.7 | 6.2 | 3.6 |
| 110 | 43.0 | 4.7 | 3.5 | 4.7 | 3.5 | 5.0 | 3.5 | 5.2 | 3.5 | 5.3 | 3.7 | 5.7 | 3.6 | 6.0 | 3.6 | |
| 63 (7.1) | 68 | 20.0 | 6.9 | 5.3 | 7.1 | 5.4 | 7.7 | 5.4 | 8.0 | 5.5 | 8.2 | 5.8 | 8.7 | 5.7 | 9.2 | 5.6 |
| | 73 | 22.5 | 6.9 | 5.2 | 7.1 | 5.4 | 7.6 | 5.4 | 7.8 | 5.5 | 8.1 | 5.7 | 8.5 | 5.6 | 9.1 | 5.5 |
| | 77 | 25.0 | 6.8 | 5.2 | 7.0 | 5.4 | 7.4 | 5.3 | 7.7 | 5.4 | 7.9 | 5.6 | 8.4 | 5.6 | 8.9 | 5.5 |
| | 82 | 27.5 | 6.6 | 5.1 | 6.8 | 5.3 | 7.3 | 5.3 | 7.5 | 5.4 | 7.8 | 5.6 | 8.2 | 5.5 | 8.7 | 5.4 |
| | 86 | 30.0 | 6.5 | 5.1 | 6.7 | 5.2 | 7.1 | 5.2 | 7.4 | 5.3 | 7.6 | 5.5 | 8.1 | 5.4 | 8.5 | 5.3 |
| | 91 | 32.5 | 6.4 | 5.0 | 6.6 | 5.2 | 7.0 | 5.1 | 7.2 | 5.2 | 7.5 | 5.4 | 7.9 | 5.4 | 8.4 | 5.3 |
| | 95 | 35.0 | 6.3 | 5.0 | 6.4 | 5.1 | 6.8 | 5.1 | 7.1 | 5.2 | 7.3 | 5.4 | 7.7 | 5.3 | 8.2 | 5.2 |
| | 100 | 37.5 | 6.2 | 5.0 | 6.3 | 5.0 | 6.7 | 5.0 | 6.9 | 5.1 | 7.2 | 5.3 | 7.6 | 5.3 | 8.0 | 5.2 |
| | 104 | 40.0 | 6.1 | 4.9 | 6.1 | 5.0 | 6.6 | 5.0 | 6.8 | 5.1 | 7.7 | 5.5 | 7.4 | 5.2 | 7.8 | 5.1 |
| 110 | 43.0 | 6.0 | 4.8 | 6.0 | 4.9 | 6.4 | 4.9 | 6.6 | 5.0 | 6.8 | 5.2 | 7.2 | 5.1 | 7.6 | 5.0 | |
| 100 (11.2) | 68 | 20.0 | 10.9 | 7.9 | 11.3 | 8.1 | 12.1 | 8.1 | 12.5 | 8.2 | 12.9 | 8.6 | 13.7 | 8.4 | 14.6 | 8.3 |
| | 73 | 22.5 | 10.8 | 7.9 | 11.2 | 8.1 | 11.9 | 8.0 | 12.3 | 8.2 | 12.7 | 8.5 | 13.5 | 8.3 | 14.3 | 8.2 |
| | 77 | 25.0 | 10.7 | 7.8 | 11.0 | 8.0 | 11.7 | 7.9 | 12.1 | 8.1 | 12.5 | 8.4 | 13.2 | 8.2 | 14.0 | 8.1 |
| | 82 | 27.5 | 10.5 | 7.7 | 10.8 | 7.9 | 11.5 | 7.8 | 11.9 | 8.0 | 12.2 | 8.3 | 13.0 | 8.1 | 13.7 | 8.0 |
| | 86 | 30.0 | 10.3 | 7.6 | 10.5 | 7.8 | 11.3 | 7.7 | 11.6 | 7.9 | 12.0 | 8.1 | 12.8 | 8.1 | 13.4 | 7.9 |
| | 91 | 32.5 | 10.1 | 7.5 | 10.4 | 7.7 | 11.0 | 7.6 | 11.4 | 7.8 | 11.8 | 8.1 | 12.4 | 7.9 | 13.2 | 7.8 |
| | 95 | 35.0 | 10.0 | 7.4 | 10.1 | 7.6 | 10.8 | 7.5 | 11.2 | 7.7 | 11.5 | 8.0 | 12.2 | 7.8 | 12.9 | 7.7 |
| | 100 | 37.5 | 9.9 | 7.4 | 9.9 | 7.5 | 10.6 | 7.4 | 10.9 | 7.6 | 11.3 | 7.9 | 12.0 | 7.8 | 12.7 | 7.6 |
| | 104 | 40.0 | 9.7 | 7.3 | 9.7 | 7.4 | 10.4 | 7.3 | 10.7 | 7.5 | 12.2 | 8.2 | 11.7 | 7.6 | 12.4 | 7.5 |
| 110 | 43.0 | 9.4 | 7.2 | 9.4 | 7.2 | 10.1 | 7.2 | 10.4 | 7.3 | 10.7 | 7.6 | 11.4 | 7.5 | 12.0 | 7.4 | |

kcal/h = kW x 860, Btu/h = kW x 3,412

2. CAPACITY TABLES

R410A Data G2

2-2b. Heating capacity in combination with PUHY,PURY-P300,350,400YGM

PKFY-P-VAM-E,VGM-E,VFM-E SHC : Sensible Heat Capacity(kW)

SHC : Sensible Heat Capacity(kW)

| Model size (Rated kW) | Outdoor air temp. | | Indoor air temp. | | | |
|--------------------------|-------------------|-------|------------------|----------|----------|----------|
| | | | 59 °FDB | 68 °FDB | 77 °FDB | 81 °FDB |
| | | | 15.0°CDB | 20.0°CDB | 25.0°CDB | 27.0°CDB |
| | °FWB | °CWB | SHC | SHC | SHC | SHC |
| 20 (2.2) | -4 | -20.0 | 1.3 | 1.3 | 1.3 | 1.2 |
| | 5 | -15.0 | 1.5 | 1.5 | 1.5 | 1.5 |
| | 14 | -10.0 | 1.8 | 1.8 | 1.7 | 1.6 |
| | 23 | -5.0 | 2.0 | 2.0 | 1.9 | 1.6 |
| | 32 | 0.0 | 2.3 | 2.3 | 1.9 | 1.6 |
| | 37 | 2.5 | 2.4 | 2.4 | 1.9 | 1.6 |
| | 43 | 6.0 | 2.6 | 2.5 | 1.9 | 1.6 |
| | 46 | 7.5 | 2.7 | 2.5 | 1.9 | 1.6 |
| | 50 | 10.0 | 2.8 | 2.5 | 1.9 | 1.6 |
| | 55 | 12.5 | 2.9 | 2.5 | 1.9 | 1.6 |
| 60 | 15.5 | 2.9 | 2.5 | 1.9 | 1.6 | |
| 25 (2.8) | -4 | -20.0 | 1.7 | 1.6 | 1.6 | 1.5 |
| | 5 | -15.0 | 1.9 | 1.9 | 1.9 | 1.9 |
| | 14 | -10.0 | 2.2 | 2.2 | 2.2 | 2.0 |
| | 23 | -5.0 | 2.6 | 2.6 | 2.4 | 2.0 |
| | 32 | 0.0 | 2.9 | 2.9 | 2.4 | 2.0 |
| | 37 | 2.5 | 3.1 | 3.0 | 2.4 | 2.0 |
| | 43 | 6.0 | 3.3 | 3.2 | 2.4 | 2.0 |
| | 46 | 7.5 | 3.4 | 3.2 | 2.4 | 2.0 |
| | 50 | 10.0 | 3.5 | 3.2 | 2.4 | 2.0 |
| | 55 | 12.5 | 3.7 | 3.2 | 2.4 | 2.0 |
| 60 | 15.5 | 3.7 | 3.2 | 2.4 | 2.0 | |
| 32 (3.6) | -4 | -20.0 | 2.1 | 2.0 | 2.0 | 1.9 |
| | 5 | -15.0 | 2.4 | 2.4 | 2.4 | 2.3 |
| | 14 | -10.0 | 2.8 | 2.8 | 2.7 | 2.6 |
| | 23 | -5.0 | 3.2 | 3.2 | 3.0 | 2.6 |
| | 32 | 0.0 | 3.6 | 3.6 | 3.0 | 2.6 |
| | 37 | 2.5 | 3.8 | 3.8 | 3.0 | 2.6 |
| | 43 | 6.0 | 4.1 | 4.0 | 3.0 | 2.6 |
| | 46 | 7.5 | 4.2 | 4.0 | 3.0 | 2.6 |
| | 50 | 10.0 | 4.4 | 4.0 | 3.0 | 2.6 |
| | 55 | 12.5 | 4.6 | 4.0 | 3.0 | 2.6 |
| 60 | 15.5 | 4.6 | 4.0 | 3.0 | 2.6 | |
| 40 (4.5) | -4 | -20.0 | 2.6 | 2.5 | 2.5 | 2.4 |
| | 5 | -15.0 | 3.0 | 3.0 | 3.0 | 2.9 |
| | 14 | -10.0 | 3.5 | 3.5 | 3.4 | 3.2 |
| | 23 | -5.0 | 4.0 | 4.0 | 3.8 | 3.2 |
| | 32 | 0.0 | 4.5 | 4.5 | 3.8 | 3.2 |
| | 37 | 2.5 | 4.8 | 4.7 | 3.8 | 3.2 |
| | 43 | 6.0 | 5.1 | 5.0 | 3.8 | 3.2 |
| | 46 | 7.5 | 5.3 | 5.0 | 3.8 | 3.2 |
| | 50 | 10.0 | 5.5 | 5.0 | 3.8 | 3.2 |
| | 55 | 12.5 | 5.8 | 5.0 | 3.8 | 3.2 |
| 60 | 15.5 | 5.8 | 5.0 | 3.8 | 3.2 | |

| Model size (Rated kW) | Outdoor air temp. | | Indoor air temp. | | | |
|--------------------------|-------------------|-------|------------------|----------|----------|----------|
| | | | 59 °FDB | 68 °FDB | 77 °FDB | 81 °FDB |
| | | | 15.0°CDB | 20.0°CDB | 25.0°CDB | 27.0°CDB |
| | °FWB | °CWB | SHC | SHC | SHC | SHC |
| 50 (5.6) | -4 | -20.0 | 3.3 | 3.2 | 3.2 | 3.0 |
| | 5 | -15.0 | 3.8 | 3.8 | 3.8 | 3.7 |
| | 14 | -10.0 | 4.4 | 4.4 | 4.3 | 4.0 |
| | 23 | -5.0 | 5.0 | 5.0 | 4.7 | 4.0 |
| | 32 | 0.0 | 5.7 | 5.7 | 4.7 | 4.0 |
| | 37 | 2.5 | 6.0 | 6.0 | 4.7 | 4.0 |
| | 43 | 6.0 | 6.5 | 6.3 | 4.7 | 4.0 |
| | 46 | 7.5 | 6.7 | 6.3 | 4.7 | 4.0 |
| | 50 | 10.0 | 7.0 | 6.3 | 4.7 | 4.0 |
| | 55 | 12.5 | 7.2 | 6.3 | 4.7 | 4.0 |
| 60 | 15.5 | 7.2 | 6.3 | 4.7 | 4.0 | |
| 63 (7.1) | -4 | -20.0 | 4.2 | 4.0 | 4.0 | 3.8 |
| | 5 | -15.0 | 4.8 | 4.8 | 4.8 | 4.6 |
| | 14 | -10.0 | 5.6 | 5.6 | 5.5 | 5.1 |
| | 23 | -5.0 | 6.4 | 6.4 | 6.0 | 5.1 |
| | 32 | 0.0 | 7.2 | 7.2 | 6.0 | 5.1 |
| | 37 | 2.5 | 7.6 | 7.6 | 6.0 | 5.1 |
| | 43 | 6.0 | 8.2 | 8.0 | 6.0 | 5.1 |
| | 46 | 7.5 | 8.5 | 8.0 | 6.0 | 5.1 |
| | 50 | 10.0 | 8.8 | 8.0 | 6.0 | 5.1 |
| | 55 | 12.5 | 9.2 | 8.0 | 6.0 | 5.1 |
| 60 | 15.5 | 9.2 | 8.0 | 6.0 | 5.1 | |
| 100 (11.2) | -4 | -20.0 | 6.5 | 6.3 | 6.3 | 6.0 |
| | 5 | -15.0 | 7.5 | 7.5 | 7.5 | 7.3 |
| | 14 | -10.0 | 8.8 | 8.8 | 8.6 | 8.0 |
| | 23 | -5.0 | 10.0 | 10.0 | 9.4 | 8.0 |
| | 32 | 0.0 | 11.3 | 11.3 | 9.4 | 8.0 |
| | 37 | 2.5 | 11.9 | 11.8 | 9.4 | 8.0 |
| | 43 | 6.0 | 12.8 | 12.5 | 9.4 | 8.0 |
| | 46 | 7.5 | 13.3 | 12.5 | 9.4 | 8.0 |
| | 50 | 10.0 | 13.8 | 12.5 | 9.4 | 8.0 |
| | 55 | 12.5 | 14.4 | 12.5 | 9.4 | 8.0 |
| 60 | 15.5 | 14.4 | 12.5 | 9.4 | 8.0 | |

kcal/h = kW x 860, Btu/h = kW x 3,412

2. CAPACITY TABLES

R410A Data G2

2-3a. Cooling capacity in combination with PUHY,PURY-P450,500,550,600,650YGM

PKFY-P-VAM-E,VGM-E,VFM-E

CA : Capacity(kW) SHC : Sensible Heat Capacity(kW)

| Model size (Rated kW) | Outdoor air temp. | | Indoor air temp. | | | | | | | | | | | | | |
|--------------------------|-------------------|------|-------------------|-----|-----------------|-----|-----------------|-----|-----------------|-----|-----------------|-----|-----------------|-----|-----------------|-----|
| | | | 71 °FDB / 59°FWB | | 73°FDB / 61°FWB | | 77°FDB / 64°FWB | | 81°FDB / 66°FWB | | 82°FDB / 68°FWB | | 86°FDB / 72°FWB | | 90°FDB / 75°FWB | |
| | | | 21.5°CDB / 15°CWB | | 23°CDB / 16°CWB | | 25°CDB / 18°CWB | | 27°CDB / 19°CWB | | 28°CDB / 20°CWB | | 30°CDB / 22°CWB | | 32°CDB / 24°CWB | |
| | °FDB | °CDB | CA | SHC | CA | SHC | CA | SHC | CA | SHC | CA | SHC | CA | SHC | CA | SHC |
| 20 (2.2) | 68 | 20.0 | 2.1 | 1.5 | 2.1 | 1.5 | 2.3 | 1.5 | 2.4 | 1.5 | 2.5 | 1.6 | 2.6 | 1.6 | 2.8 | 1.6 |
| | 73 | 22.5 | 2.1 | 1.5 | 2.1 | 1.5 | 2.3 | 1.5 | 2.3 | 1.5 | 2.4 | 1.6 | 2.6 | 1.6 | 2.7 | 1.5 |
| | 77 | 25.0 | 2.0 | 1.5 | 2.1 | 1.5 | 2.2 | 1.5 | 2.3 | 1.5 | 2.4 | 1.6 | 2.6 | 1.6 | 2.7 | 1.5 |
| | 82 | 27.5 | 2.0 | 1.5 | 2.1 | 1.5 | 2.2 | 1.5 | 2.3 | 1.5 | 2.4 | 1.6 | 2.5 | 1.5 | 2.6 | 1.5 |
| | 86 | 30.0 | 2.0 | 1.4 | 2.0 | 1.5 | 2.2 | 1.5 | 2.3 | 1.5 | 2.4 | 1.6 | 2.5 | 1.5 | 2.7 | 1.5 |
| | 91 | 32.5 | 2.0 | 1.4 | 2.0 | 1.5 | 2.2 | 1.5 | 2.2 | 1.5 | 2.3 | 1.5 | 2.5 | 1.5 | 2.6 | 1.5 |
| | 95 | 35.0 | 2.0 | 1.4 | 2.0 | 1.4 | 2.1 | 1.4 | 2.2 | 1.5 | 2.3 | 1.5 | 2.5 | 1.5 | 2.6 | 1.5 |
| | 100 | 37.5 | 1.9 | 1.4 | 2.0 | 1.4 | 2.1 | 1.4 | 2.2 | 1.4 | 2.3 | 1.5 | 2.4 | 1.5 | 2.6 | 1.5 |
| | 104 | 40.0 | 1.9 | 1.4 | 1.9 | 1.4 | 2.1 | 1.4 | 2.1 | 1.4 | 2.2 | 1.5 | 2.4 | 1.5 | 2.6 | 1.5 |
| | 110 | 43.0 | 1.9 | 1.4 | 1.9 | 1.4 | 2.1 | 1.4 | 2.1 | 1.4 | 2.2 | 1.5 | 2.4 | 1.5 | 2.6 | 1.5 |
| 25 (2.8) | 68 | 20.0 | 2.6 | 1.9 | 2.7 | 1.9 | 2.9 | 1.9 | 3.0 | 1.9 | 3.1 | 2.0 | 3.3 | 2.0 | 3.5 | 1.9 |
| | 73 | 22.5 | 2.6 | 1.9 | 2.7 | 1.9 | 2.9 | 1.9 | 3.0 | 1.9 | 3.1 | 2.0 | 3.3 | 2.0 | 3.5 | 1.9 |
| | 77 | 25.0 | 2.6 | 1.8 | 2.7 | 1.9 | 2.9 | 1.9 | 2.9 | 1.9 | 3.1 | 2.0 | 3.2 | 1.9 | 3.5 | 1.9 |
| | 82 | 27.5 | 2.6 | 1.8 | 2.6 | 1.9 | 2.8 | 1.9 | 2.9 | 1.9 | 3.0 | 2.0 | 3.2 | 1.9 | 3.4 | 1.9 |
| | 86 | 30.0 | 2.5 | 1.8 | 2.6 | 1.8 | 2.8 | 1.8 | 2.9 | 1.9 | 3.0 | 1.9 | 3.2 | 1.9 | 3.4 | 1.9 |
| | 91 | 32.5 | 2.5 | 1.8 | 2.6 | 1.8 | 2.7 | 1.8 | 2.8 | 1.8 | 3.0 | 1.9 | 3.2 | 1.9 | 3.4 | 1.9 |
| | 95 | 35.0 | 2.5 | 1.8 | 2.5 | 1.8 | 2.7 | 1.8 | 2.8 | 1.8 | 2.9 | 1.9 | 3.1 | 1.9 | 3.3 | 1.9 |
| | 100 | 37.5 | 2.5 | 1.8 | 2.5 | 1.8 | 2.7 | 1.8 | 2.8 | 1.8 | 2.9 | 1.9 | 3.1 | 1.9 | 3.3 | 1.9 |
| | 104 | 40.0 | 2.4 | 1.7 | 2.5 | 1.8 | 2.7 | 1.8 | 2.7 | 1.8 | 2.9 | 1.9 | 3.1 | 1.9 | 3.3 | 1.9 |
| | 110 | 43.0 | 2.4 | 1.7 | 2.5 | 1.8 | 2.6 | 1.8 | 2.7 | 1.8 | 2.8 | 1.9 | 3.0 | 1.9 | 3.2 | 1.8 |
| 32 (3.6) | 68 | 20.0 | 3.4 | 2.7 | 3.5 | 2.7 | 3.7 | 2.7 | 3.9 | 2.8 | 4.0 | 2.9 | 4.2 | 2.8 | 4.5 | 2.8 |
| | 73 | 22.5 | 3.4 | 2.6 | 3.5 | 2.7 | 3.7 | 2.7 | 3.8 | 2.7 | 4.0 | 2.9 | 4.2 | 2.8 | 4.5 | 2.8 |
| | 77 | 25.0 | 3.3 | 2.6 | 3.4 | 2.7 | 3.7 | 2.7 | 3.8 | 2.7 | 3.9 | 2.9 | 4.2 | 2.8 | 4.4 | 2.8 |
| | 82 | 27.5 | 3.3 | 2.6 | 3.4 | 2.7 | 3.6 | 2.7 | 3.7 | 2.7 | 3.9 | 2.8 | 4.1 | 2.8 | 4.3 | 2.7 |
| | 86 | 30.0 | 3.3 | 2.6 | 3.3 | 2.7 | 3.6 | 2.7 | 3.7 | 2.7 | 3.9 | 2.8 | 4.1 | 2.8 | 4.4 | 2.8 |
| | 91 | 32.5 | 3.2 | 2.6 | 3.3 | 2.6 | 3.5 | 2.6 | 3.6 | 2.7 | 3.8 | 2.8 | 4.1 | 2.8 | 4.3 | 2.7 |
| | 95 | 35.0 | 3.2 | 2.6 | 3.3 | 2.6 | 3.5 | 2.6 | 3.6 | 2.7 | 3.7 | 2.8 | 4.0 | 2.8 | 4.3 | 2.7 |
| | 100 | 37.5 | 3.2 | 2.5 | 3.2 | 2.6 | 3.5 | 2.6 | 3.5 | 2.6 | 3.7 | 2.8 | 4.0 | 2.7 | 4.2 | 2.7 |
| | 104 | 40.0 | 3.1 | 2.5 | 3.2 | 2.6 | 3.4 | 2.6 | 3.5 | 2.6 | 3.7 | 2.8 | 4.0 | 2.7 | 4.2 | 2.7 |
| | 110 | 43.0 | 3.1 | 2.5 | 3.2 | 2.6 | 3.4 | 2.6 | 3.5 | 2.6 | 3.6 | 2.7 | 3.9 | 2.7 | 4.2 | 2.7 |
| 40 (4.5) | 68 | 20.0 | 4.3 | 3.2 | 4.4 | 3.3 | 4.7 | 3.3 | 4.8 | 3.3 | 5.0 | 3.4 | 5.3 | 3.4 | 5.7 | 3.4 |
| | 73 | 22.5 | 4.2 | 3.2 | 4.3 | 3.3 | 4.6 | 3.2 | 4.8 | 3.3 | 5.0 | 3.4 | 5.3 | 3.4 | 5.6 | 3.3 |
| | 77 | 25.0 | 4.2 | 3.2 | 4.3 | 3.2 | 4.6 | 3.2 | 4.7 | 3.3 | 4.9 | 3.4 | 5.2 | 3.4 | 5.6 | 3.3 |
| | 82 | 27.5 | 4.1 | 3.1 | 4.2 | 3.2 | 4.5 | 3.2 | 4.7 | 3.2 | 4.9 | 3.4 | 5.2 | 3.3 | 5.4 | 3.3 |
| | 86 | 30.0 | 4.1 | 3.1 | 4.2 | 3.2 | 4.5 | 3.2 | 4.6 | 3.2 | 4.8 | 3.4 | 5.1 | 3.3 | 5.4 | 3.3 |
| | 91 | 32.5 | 4.1 | 3.1 | 4.1 | 3.2 | 4.4 | 3.1 | 4.5 | 3.2 | 4.8 | 3.3 | 5.1 | 3.3 | 5.4 | 3.3 |
| | 95 | 35.0 | 4.0 | 3.1 | 4.1 | 3.1 | 4.4 | 3.1 | 4.5 | 3.2 | 4.7 | 3.3 | 5.0 | 3.3 | 5.4 | 3.2 |
| | 100 | 37.5 | 4.0 | 3.0 | 4.0 | 3.1 | 4.3 | 3.1 | 4.4 | 3.1 | 4.7 | 3.3 | 5.0 | 3.3 | 5.3 | 3.2 |
| | 104 | 40.0 | 3.9 | 3.0 | 4.0 | 3.1 | 4.3 | 3.1 | 4.4 | 3.1 | 4.6 | 3.3 | 5.0 | 3.3 | 5.3 | 3.2 |
| | 110 | 43.0 | 3.9 | 3.0 | 3.9 | 3.1 | 4.2 | 3.1 | 4.3 | 3.1 | 4.5 | 3.3 | 4.9 | 3.2 | 5.2 | 3.2 |
| 50 (5.6) | 68 | 20.0 | 5.3 | 3.8 | 5.5 | 3.9 | 5.8 | 3.8 | 6.0 | 3.9 | 6.2 | 4.1 | 6.6 | 4.0 | 7.1 | 3.9 |
| | 73 | 22.5 | 5.3 | 3.8 | 5.4 | 3.8 | 5.8 | 3.8 | 5.9 | 3.9 | 6.2 | 4.0 | 6.6 | 4.0 | 7.0 | 3.9 |
| | 77 | 25.0 | 5.2 | 3.7 | 5.3 | 3.8 | 5.7 | 3.8 | 5.9 | 3.8 | 6.1 | 4.0 | 6.5 | 3.9 | 6.9 | 3.9 |
| | 82 | 27.5 | 5.2 | 3.7 | 5.3 | 3.8 | 5.7 | 3.8 | 5.8 | 3.8 | 6.0 | 4.0 | 6.4 | 3.9 | 6.7 | 3.8 |
| | 86 | 30.0 | 5.1 | 3.7 | 5.2 | 3.7 | 5.6 | 3.7 | 5.8 | 3.8 | 6.0 | 3.9 | 6.4 | 3.9 | 6.8 | 3.8 |
| | 91 | 32.5 | 5.0 | 3.6 | 5.2 | 3.7 | 5.5 | 3.7 | 5.7 | 3.7 | 5.9 | 3.9 | 6.3 | 3.9 | 6.7 | 3.8 |
| | 95 | 35.0 | 5.0 | 3.6 | 5.1 | 3.7 | 5.5 | 3.7 | 5.6 | 3.7 | 5.8 | 3.9 | 6.3 | 3.9 | 6.7 | 3.8 |
| | 100 | 37.5 | 4.9 | 3.6 | 5.0 | 3.7 | 5.4 | 3.6 | 5.5 | 3.7 | 5.8 | 3.9 | 6.2 | 3.8 | 6.6 | 3.8 |
| | 104 | 40.0 | 4.8 | 3.5 | 5.0 | 3.6 | 5.3 | 3.6 | 5.4 | 3.6 | 5.7 | 3.8 | 6.2 | 3.8 | 6.6 | 3.8 |
| | 110 | 43.0 | 4.8 | 3.5 | 4.9 | 3.6 | 5.3 | 3.6 | 5.4 | 3.6 | 5.7 | 3.8 | 6.0 | 3.8 | 6.5 | 3.7 |
| 63 (7.1) | 68 | 20.0 | 6.7 | 5.2 | 6.9 | 5.3 | 7.4 | 5.3 | 7.6 | 5.4 | 7.9 | 5.6 | 8.4 | 5.6 | 8.9 | 5.5 |
| | 73 | 22.5 | 6.7 | 5.2 | 6.9 | 5.3 | 7.3 | 5.3 | 7.5 | 5.4 | 7.8 | 5.6 | 8.3 | 5.5 | 8.8 | 5.5 |
| | 77 | 25.0 | 6.6 | 5.1 | 6.8 | 5.3 | 7.2 | 5.2 | 7.5 | 5.3 | 7.7 | 5.6 | 8.2 | 5.5 | 8.8 | 5.4 |
| | 82 | 27.5 | 6.5 | 5.1 | 6.7 | 5.2 | 7.2 | 5.2 | 7.4 | 5.3 | 7.7 | 5.5 | 8.2 | 5.5 | 8.5 | 5.3 |
| | 86 | 30.0 | 6.5 | 5.1 | 6.6 | 5.2 | 7.1 | 5.2 | 7.3 | 5.3 | 7.6 | 5.5 | 8.1 | 5.4 | 8.6 | 5.4 |
| | 91 | 32.5 | 6.4 | 5.0 | 6.5 | 5.2 | 7.0 | 5.1 | 7.2 | 5.2 | 7.5 | 5.5 | 8.0 | 5.4 | 8.5 | 5.3 |
| | 95 | 35.0 | 6.3 | 5.0 | 6.4 | 5.1 | 6.9 | 5.1 | 7.1 | 5.2 | 7.4 | 5.4 | 8.0 | 5.4 | 8.4 | 5.3 |
| | 100 | 37.5 | 6.2 | 5.0 | 6.4 | 5.1 | 6.8 | 5.1 | 7.0 | 5.1 | 7.3 | 5.4 | 7.8 | 5.4 | 8.4 | 5.3 |
| | 104 | 40.0 | 6.1 | 4.9 | 6.3 | 5.0 | 6.8 | 5.0 | 6.9 | 5.1 | 7.2 | 5.4 | 7.8 | 5.3 | 8.3 | 5.3 |
| | 110 | 43.0 | 6.1 | 4.9 | 6.2 | 5.0 | 6.7 | 5.0 | 6.8 | 5.1 | 7.2 | 5.3 | 7.7 | 5.3 | 8.2 | 5.2 |
| 100 (11.2) | 68 | 20.0 | 10.6 | 7.7 | 10.9 | 8.0 | 11.6 | 7.9 | 12.0 | 8.0 | 12.5 | 8.4 | 13.2 | 8.2 | 14.1 | 8.1 |
| | 73 | 22.5 | 10.5 | 7.7 | 10.8 | 7.9 | 11.5 | 7.9 | 11.9 | 8.0 | 12.3 | 8.3 | 13.2 | 8.2 | 13.9 | 8.1 |
| | 77 | 25.0 | 10.4 | 7.7 | 10.7 | 7.9 | 11.4 | 7.8 | 11.8 | 7.9 | 12.2 | 8.2 | 13.0 | 8.1 | 13.8 | 8.0 |
| | 82 | 27.5 | 10.3 | 7.6 | 10.5 | 7.8 | 11.3 | 7.8 | 11.6 | 7.9 | 12.1 | 8.2 | 12.9 | 8.1 | 13.4 | 7.9 |
| | 86 | 30.0 | 10.2 | 7.5 | 10.4 | 7.7 | 11.2 | 7.7 | 11.5 | 7.8 | 12.0 | 8.1 | 12.8 | 8.1 | 13.6 | 7.9 |
| | 91 | 32.5 | 10.1 | 7.5 | 10.3 | 7.7 | 11.0 | 7.6 | 11.3 | 7.7 | 11.9 | 8.1 | 12.7 | 8.0 | 13.4 | 7.9 |
| | 95 | 35.0 | 10.0 | 7.4 | 10.1 | 7.6 | 10.9 | 7.6 | 11.2 | 7.7 | 11.6 | 8.0 | 12.5 | 8.0 | 13.3 | 7.9 |
| | 100 | 37.5 | 9.9 | 7.4 | 10.0 | 7.5 | 10.8 | 7.5 | 11.0 | 7.6 | 11.6 | 8.0 | 12.4 | 7.9 | 13.2 | 7.8 |
| | 104 | 40.0 | 9.7 | 7.3 | 9.9 | 7.5 | 10.7 | 7.5 | 10.9 | 7.5 | 11.4 | 7.9 | 12.3 | 7.9 | 13.1 | 7.8 |
| | 110 | 43.0 | 9.6 | 7.3 | 9.8 | 7.4 | 10.5 | 7.4 | 10.8 | 7.5 | 11.3 | 7.9 | 12.1 | 7.8 | 13.0 | 7.7 |

kcal/h = kW x 860, Btu/h = kW x 3,412

2. CAPACITY TABLES

R410A Data G2

2-3b. Heating capacity in combination with PUHY,PURY-P450,500,550,600,650YGM

PKFY-P-VAM-E,VGM-E,VFM-E SHC : Sensible Heat Capacity(kW)

SHC : Sensible Heat Capacity(kW)

| Model size (Rated kW) | Outdoor air temp. | | Indoor air temp. | | | |
|--------------------------|-------------------|-------|------------------|----------|----------|----------|
| | | | 59 °FDB | 68 °FDB | 77 °FDB | 81 °FDB |
| | | | 15.0°CDB | 20.0°CDB | 25.0°CDB | 27.0°CDB |
| | °FWB | °CWB | SHC | SHC | SHC | SHC |
| 20 (2.2) | -4 | -20.0 | 1.3 | 1.3 | 1.3 | 1.3 |
| | 5 | -15.0 | 1.6 | 1.5 | 1.5 | 1.5 |
| | 14 | -10.0 | 1.8 | 1.8 | 1.7 | 1.7 |
| | 23 | -5.0 | 2.1 | 2.0 | 1.9 | 1.8 |
| | 32 | 0.0 | 2.3 | 2.3 | 2.0 | 1.8 |
| | 37 | 2.5 | 2.4 | 2.4 | 2.0 | 1.8 |
| | 43 | 6.0 | 2.6 | 2.5 | 2.0 | 1.8 |
| | 46 | 7.5 | 2.7 | 2.5 | 2.0 | 1.8 |
| | 50 | 10.0 | 2.8 | 2.5 | 2.0 | 1.8 |
| | 55 | 12.5 | 2.9 | 2.5 | 2.0 | 1.8 |
| 60 | 15.5 | 2.9 | 2.5 | 2.0 | 1.8 | |
| 25 (2.8) | -4 | -20.0 | 1.7 | 1.6 | 1.6 | 1.6 |
| | 5 | -15.0 | 2.0 | 1.9 | 1.9 | 1.9 |
| | 14 | -10.0 | 2.3 | 2.2 | 2.2 | 2.1 |
| | 23 | -5.0 | 2.6 | 2.6 | 2.5 | 2.3 |
| | 32 | 0.0 | 2.9 | 2.9 | 2.5 | 2.3 |
| | 37 | 2.5 | 3.1 | 3.0 | 2.5 | 2.3 |
| | 43 | 6.0 | 3.3 | 3.2 | 2.5 | 2.3 |
| | 46 | 7.5 | 3.4 | 3.2 | 2.5 | 2.3 |
| | 50 | 10.0 | 3.6 | 3.2 | 2.5 | 2.3 |
| | 55 | 12.5 | 3.7 | 3.2 | 2.5 | 2.3 |
| 60 | 15.5 | 3.7 | 3.2 | 2.5 | 2.3 | |
| 32 (3.6) | -4 | -20.0 | 2.1 | 2.0 | 2.0 | 2.0 |
| | 5 | -15.0 | 2.5 | 2.4 | 2.4 | 2.3 |
| | 14 | -10.0 | 2.9 | 2.8 | 2.7 | 2.6 |
| | 23 | -5.0 | 3.3 | 3.2 | 3.1 | 2.8 |
| | 32 | 0.0 | 3.7 | 3.6 | 3.2 | 2.8 |
| | 37 | 2.5 | 3.8 | 3.8 | 3.2 | 2.8 |
| | 43 | 6.0 | 4.1 | 4.0 | 3.2 | 2.8 |
| | 46 | 7.5 | 4.2 | 4.0 | 3.2 | 2.8 |
| | 50 | 10.0 | 4.4 | 4.0 | 3.2 | 2.8 |
| | 55 | 12.5 | 4.6 | 4.0 | 3.2 | 2.8 |
| 60 | 15.5 | 4.6 | 4.0 | 3.2 | 2.8 | |
| 40 (4.5) | -4 | -20.0 | 2.7 | 2.6 | 2.6 | 2.5 |
| | 5 | -15.0 | 3.1 | 3.0 | 3.0 | 2.9 |
| | 14 | -10.0 | 3.6 | 3.5 | 3.4 | 3.3 |
| | 23 | -5.0 | 4.1 | 4.0 | 3.9 | 3.5 |
| | 32 | 0.0 | 4.6 | 4.5 | 4.0 | 3.5 |
| | 37 | 2.5 | 4.8 | 4.8 | 4.0 | 3.5 |
| | 43 | 6.0 | 5.2 | 5.0 | 4.0 | 3.5 |
| | 46 | 7.5 | 5.3 | 5.0 | 4.0 | 3.5 |
| | 50 | 10.0 | 5.6 | 5.0 | 4.0 | 3.5 |
| | 55 | 12.5 | 5.8 | 5.0 | 4.0 | 3.5 |
| 60 | 15.5 | 5.8 | 5.0 | 4.0 | 3.5 | |

| Model size (Rated kW) | Outdoor air temp. | | Indoor air temp. | | | |
|--------------------------|-------------------|-------|------------------|----------|----------|----------|
| | | | 59 °FDB | 68 °FDB | 77 °FDB | 81 °FDB |
| | | | 15.0°CDB | 20.0°CDB | 25.0°CDB | 27.0°CDB |
| | °FWB | °CWB | SHC | SHC | SHC | SHC |
| 50 (5.6) | -4 | -20.0 | 3.3 | 3.2 | 3.2 | 3.2 |
| | 5 | -15.0 | 3.9 | 3.8 | 3.8 | 3.7 |
| | 14 | -10.0 | 4.5 | 4.4 | 4.3 | 4.2 |
| | 23 | -5.0 | 5.2 | 5.0 | 4.9 | 4.4 |
| | 32 | 0.0 | 5.8 | 5.7 | 5.0 | 4.4 |
| | 37 | 2.5 | 6.0 | 6.0 | 5.0 | 4.4 |
| | 43 | 6.0 | 6.5 | 6.3 | 5.0 | 4.4 |
| | 46 | 7.5 | 6.7 | 6.3 | 5.0 | 4.4 |
| | 50 | 10.0 | 7.0 | 6.3 | 5.0 | 4.4 |
| | 55 | 12.5 | 7.3 | 6.3 | 5.0 | 4.4 |
| 60 | 15.5 | 7.3 | 6.3 | 5.0 | 4.4 | |
| 63 (7.1) | -4 | -20.0 | 4.2 | 4.1 | 4.1 | 4.0 |
| | 5 | -15.0 | 5.0 | 4.8 | 4.8 | 4.6 |
| | 14 | -10.0 | 5.8 | 5.6 | 5.4 | 5.3 |
| | 23 | -5.0 | 6.6 | 6.4 | 6.2 | 5.6 |
| | 32 | 0.0 | 7.4 | 7.2 | 6.4 | 5.6 |
| | 37 | 2.5 | 7.7 | 7.6 | 6.4 | 5.6 |
| | 43 | 6.0 | 8.2 | 8.0 | 6.4 | 5.6 |
| | 46 | 7.5 | 8.5 | 8.0 | 6.4 | 5.6 |
| | 50 | 10.0 | 8.9 | 8.0 | 6.4 | 5.6 |
| | 55 | 12.5 | 9.3 | 8.0 | 6.4 | 5.6 |
| 60 | 15.5 | 9.3 | 8.0 | 6.4 | 5.6 | |
| 100 (11.2) | -4 | -20.0 | 6.6 | 6.4 | 6.4 | 6.3 |
| | 5 | -15.0 | 7.8 | 7.6 | 7.5 | 7.3 |
| | 14 | -10.0 | 9.0 | 8.8 | 8.5 | 8.3 |
| | 23 | -5.0 | 10.3 | 10.0 | 9.6 | 8.8 |
| | 32 | 0.0 | 11.5 | 11.3 | 9.9 | 8.8 |
| | 37 | 2.5 | 12.0 | 11.9 | 9.9 | 8.8 |
| | 43 | 6.0 | 12.9 | 12.5 | 9.9 | 8.8 |
| | 46 | 7.5 | 13.3 | 12.5 | 9.9 | 8.8 |
| | 50 | 10.0 | 13.9 | 12.5 | 9.9 | 8.8 |
| | 55 | 12.5 | 14.5 | 12.5 | 9.9 | 8.8 |
| 60 | 15.5 | 14.5 | 12.5 | 9.9 | 8.8 | |

kcal/h = kW x 860, Btu/h = kW x 3,412

2. CAPACITY TABLES

R410A Data G2

2-4a. Cooling capacity in combination with PQHY,PQRY-P200,250YGM, PQHY,PQRY-P400,500YSGM

PKFY-P-VAM-A,VGM-E,VFM-E

CA : Capacity(kW) SHC : Sensible Heat Capacity(kW)

| Model size (Rated kW) | Water temp. | | Indoor air temp. | | | | | | | | | | | | | |
|--------------------------|-------------|------|-------------------|-----|-----------------|-----|-----------------|-----|-----------------|-----|-----------------|-----|-----------------|-----|-----------------|-----|
| | | | 71°FDB / 59°FWB | | 73°FDB / 61°FWB | | 77°FDB / 64°FWB | | 81°FDB / 66°FWB | | 82°FDB / 68°FWB | | 86°FDB / 72°FWB | | 90°FDB / 75°FWB | |
| | | | 21.5°CDB / 15°CWB | | 23°CDB / 16°CWB | | 25°CDB / 18°CWB | | 27°CDB / 19°CWB | | 28°CDB / 20°CWB | | 30°CDB / 22°CWB | | 32°CDB / 24°CWB | |
| | °F | °C | CA | SHC | CA | SHC | CA | SHC | CA | SHC | CA | SHC | CA | SHC | CA | SHC |
| 20 (2.2) | 50 | 10.0 | 2.2 | 1.5 | 2.3 | 1.6 | 2.4 | 1.6 | 2.5 | 1.6 | 2.6 | 1.6 | 2.7 | 1.6 | 2.9 | 1.6 |
| | 68 | 20.0 | 2.1 | 1.5 | 2.1 | 1.5 | 2.3 | 1.5 | 2.4 | 1.5 | 2.4 | 1.6 | 2.6 | 1.6 | 2.7 | 1.5 |
| | 86 | 30.0 | 1.9 | 1.4 | 2.0 | 1.4 | 2.1 | 1.4 | 2.2 | 1.5 | 2.3 | 1.5 | 2.4 | 1.5 | 2.5 | 1.5 |
| | 104 | 40.0 | 1.7 | 1.3 | 1.8 | 1.4 | 1.9 | 1.3 | 2.0 | 1.4 | 2.1 | 1.4 | 2.2 | 1.4 | 2.3 | 1.4 |
| | 113 | 45.0 | 1.6 | 1.3 | 1.7 | 1.3 | 1.8 | 1.3 | 1.9 | 1.3 | 1.9 | 1.4 | 2.0 | 1.3 | 2.2 | 1.3 |
| 25 (2.8) | 50 | 10.0 | 2.8 | 1.9 | 2.9 | 2.0 | 3.1 | 2.0 | 3.2 | 2.0 | 3.3 | 2.1 | 3.5 | 2.0 | 3.7 | 2.0 |
| | 68 | 20.0 | 2.6 | 1.9 | 2.7 | 1.9 | 2.9 | 1.9 | 3.0 | 1.9 | 3.1 | 2.0 | 3.3 | 2.0 | 3.5 | 1.9 |
| | 86 | 30.0 | 2.5 | 1.8 | 2.5 | 1.8 | 2.7 | 1.8 | 2.8 | 1.8 | 2.9 | 1.9 | 3.1 | 1.9 | 3.2 | 1.8 |
| | 104 | 40.0 | 2.2 | 1.6 | 2.3 | 1.7 | 2.5 | 1.7 | 2.5 | 1.7 | 2.6 | 1.8 | 2.8 | 1.8 | 2.9 | 1.7 |
| | 113 | 45.0 | 2.1 | 1.6 | 2.1 | 1.6 | 2.3 | 1.6 | 2.4 | 1.6 | 2.4 | 1.7 | 2.6 | 1.7 | 2.7 | 1.7 |
| 32 (3.6) | 50 | 10.0 | 3.6 | 2.7 | 3.7 | 2.8 | 3.9 | 2.8 | 4.1 | 2.9 | 4.2 | 3.0 | 4.5 | 2.9 | 4.7 | 2.9 |
| | 68 | 20.0 | 3.4 | 2.6 | 3.5 | 2.7 | 3.7 | 2.7 | 3.9 | 2.8 | 4.0 | 2.9 | 4.2 | 2.8 | 4.5 | 2.8 |
| | 86 | 30.0 | 3.2 | 2.5 | 3.3 | 2.6 | 3.5 | 2.6 | 3.6 | 2.7 | 3.7 | 2.8 | 3.9 | 2.7 | 4.2 | 2.7 |
| | 104 | 40.0 | 2.9 | 2.4 | 3.0 | 2.5 | 3.2 | 2.5 | 3.3 | 2.5 | 3.4 | 2.6 | 3.6 | 2.6 | 3.8 | 2.6 |
| | 113 | 45.0 | 2.7 | 2.3 | 2.8 | 2.4 | 3.0 | 2.4 | 3.0 | 2.4 | 3.1 | 2.5 | 3.3 | 2.5 | 3.5 | 2.5 |
| 40 (4.5) | 50 | 10.0 | 4.5 | 3.3 | 4.6 | 3.4 | 4.9 | 3.4 | 5.1 | 3.4 | 5.2 | 3.5 | 5.6 | 3.5 | 5.9 | 3.4 |
| | 68 | 20.0 | 4.2 | 3.2 | 4.4 | 3.3 | 4.7 | 3.3 | 4.8 | 3.3 | 5.0 | 3.4 | 5.3 | 3.4 | 5.6 | 3.3 |
| | 86 | 30.0 | 3.9 | 3.0 | 4.1 | 3.1 | 4.4 | 3.1 | 4.5 | 3.2 | 4.6 | 3.3 | 4.9 | 3.2 | 5.2 | 3.2 |
| | 104 | 40.0 | 3.6 | 2.9 | 3.7 | 3.0 | 3.9 | 2.9 | 4.1 | 3.0 | 4.2 | 3.1 | 4.5 | 3.1 | 4.7 | 3.0 |
| | 113 | 45.0 | 3.3 | 2.7 | 3.5 | 2.8 | 3.7 | 2.8 | 3.8 | 2.9 | 3.9 | 3.0 | 4.2 | 3.0 | 4.4 | 2.9 |
| 50 (5.6) | 50 | 10.0 | 5.5 | 3.9 | 5.7 | 4.0 | 6.1 | 4.0 | 6.3 | 4.0 | 6.5 | 4.2 | 6.9 | 4.1 | 7.3 | 4.1 |
| | 68 | 20.0 | 5.3 | 3.8 | 5.4 | 3.9 | 5.8 | 3.8 | 6.0 | 3.9 | 6.2 | 4.0 | 6.6 | 4.0 | 6.9 | 3.9 |
| | 86 | 30.0 | 4.9 | 3.6 | 5.1 | 3.7 | 5.4 | 3.7 | 5.6 | 3.7 | 5.8 | 3.8 | 6.1 | 3.8 | 6.5 | 3.7 |
| | 104 | 40.0 | 4.4 | 3.3 | 4.6 | 3.4 | 4.9 | 3.4 | 5.1 | 3.5 | 5.2 | 3.6 | 5.5 | 3.6 | 5.9 | 3.5 |
| | 113 | 45.0 | 4.2 | 3.2 | 4.3 | 3.3 | 4.6 | 3.3 | 4.7 | 3.3 | 4.9 | 3.5 | 5.2 | 3.4 | 5.5 | 3.4 |
| 63 (7.1) | 50 | 10.0 | 7.0 | 5.3 | 7.3 | 5.5 | 7.8 | 5.5 | 8.0 | 5.6 | 8.3 | 5.8 | 8.8 | 5.7 | 9.3 | 5.6 |
| | 68 | 20.0 | 6.7 | 5.2 | 6.9 | 5.3 | 7.4 | 5.3 | 7.6 | 5.4 | 7.8 | 5.6 | 8.3 | 5.5 | 8.8 | 5.4 |
| | 86 | 30.0 | 6.2 | 4.9 | 6.4 | 5.1 | 6.9 | 5.1 | 7.1 | 5.2 | 7.3 | 5.4 | 7.8 | 5.3 | 8.2 | 5.2 |
| | 104 | 40.0 | 5.6 | 4.7 | 5.8 | 4.8 | 6.2 | 4.8 | 6.4 | 4.9 | 6.6 | 5.1 | 7.0 | 5.0 | 7.4 | 5.0 |
| | 113 | 45.0 | 5.3 | 4.5 | 5.4 | 4.7 | 5.8 | 4.6 | 6.0 | 4.7 | 6.2 | 4.9 | 6.6 | 4.9 | 6.9 | 4.8 |
| 100 (11.2) | 50 | 10.0 | 11.1 | 8.0 | 11.5 | 8.2 | 12.3 | 8.2 | 12.7 | 8.3 | 13.1 | 8.6 | 13.8 | 8.5 | 14.6 | 8.3 |
| | 68 | 20.0 | 10.5 | 7.7 | 10.9 | 8.0 | 11.6 | 7.9 | 12.0 | 8.0 | 12.4 | 8.3 | 13.1 | 8.2 | 13.9 | 8.1 |
| | 86 | 30.0 | 9.8 | 7.4 | 10.2 | 7.6 | 10.9 | 7.6 | 11.2 | 7.7 | 11.5 | 8.0 | 12.2 | 7.9 | 12.9 | 7.7 |
| | 104 | 40.0 | 8.9 | 6.9 | 9.2 | 7.1 | 9.8 | 7.1 | 10.1 | 7.2 | 10.5 | 7.5 | 11.1 | 7.4 | 11.7 | 7.3 |
| | 113 | 45.0 | 8.3 | 6.6 | 8.6 | 6.9 | 9.2 | 6.8 | 9.5 | 7.0 | 9.8 | 7.2 | 10.4 | 7.1 | 11.0 | 7.0 |

kcal/h = kW x 860, Btu/h = kW x 3,412

2. CAPACITY TABLES

2-4b. Heating capacity in combination with PQHY,PQRY-P200,250YGM, PQHY,PQRY-P400,500YSGM

PKFY-P-VAM-A,VGM-E,VFM-E

SHC : Sensible Heat Capacity(kW)

| Model size (Rated kW) | Water temp. | | Indoor air temp. : °CDB | | | | |
|--------------------------|-------------|----|-------------------------|----------|----------|----------|----------|
| | | | 59 °FDB | 66 °FDB | 68 °FDB | 77 °FDB | 81 °FDB |
| | | | 15.0°CDB | 19.0°CDB | 20.0°CDB | 25.0°CDB | 27.0°CDB |
| | °F | °C | SHC | SHC | SHC | SHC | SHC |
| 20 (2.2) | 50 | 10 | 2.0 | 2.0 | 2.0 | 1.7 | 1.5 |
| | 68 | 20 | 2.5 | 2.5 | 2.5 | 2.1 | 1.9 |
| | 86 | 30 | 2.5 | 2.5 | 2.5 | 2.1 | 1.9 |
| | 104 | 40 | 2.5 | 2.5 | 2.5 | 2.1 | 1.9 |
| | 113 | 45 | 2.5 | 2.5 | 2.5 | 2.1 | 1.9 |
| 25 (2.8) | 50 | 10 | 2.5 | 2.5 | 2.5 | 2.1 | 2.0 |
| | 68 | 20 | 3.2 | 3.2 | 3.2 | 2.7 | 2.5 |
| | 86 | 30 | 3.2 | 3.2 | 3.2 | 2.7 | 2.5 |
| | 104 | 40 | 3.2 | 3.2 | 3.2 | 2.7 | 2.5 |
| | 113 | 45 | 3.2 | 3.2 | 3.2 | 2.7 | 2.5 |
| 32 (3.6) | 50 | 10 | 3.2 | 3.2 | 3.2 | 2.7 | 2.4 |
| | 68 | 20 | 4.0 | 4.0 | 4.0 | 3.4 | 3.1 |
| | 86 | 30 | 4.0 | 4.0 | 4.0 | 3.4 | 3.1 |
| | 104 | 40 | 4.0 | 4.0 | 4.0 | 3.4 | 3.1 |
| | 113 | 45 | 4.0 | 4.0 | 4.0 | 3.4 | 3.1 |
| 40 (4.5) | 50 | 10 | 4.0 | 4.0 | 4.0 | 3.4 | 3.1 |
| | 68 | 20 | 5.0 | 5.0 | 5.0 | 4.2 | 3.9 |
| | 86 | 30 | 5.0 | 5.0 | 5.0 | 4.2 | 3.9 |
| | 104 | 40 | 5.0 | 5.0 | 5.0 | 4.2 | 3.9 |
| | 113 | 45 | 5.0 | 5.0 | 5.0 | 4.2 | 3.9 |
| 50 (5.6) | 50 | 10 | 5.0 | 5.0 | 5.0 | 4.2 | 3.9 |
| | 68 | 20 | 6.3 | 6.3 | 6.3 | 5.3 | 4.9 |
| | 86 | 30 | 6.3 | 6.3 | 6.3 | 5.3 | 4.9 |
| | 104 | 40 | 6.3 | 6.3 | 6.3 | 5.3 | 4.9 |
| | 113 | 45 | 6.3 | 6.3 | 6.3 | 5.3 | 4.9 |
| 63 (7.1) | 50 | 10 | 6.3 | 6.3 | 6.3 | 5.4 | 4.9 |
| | 68 | 20 | 8.0 | 8.0 | 8.0 | 6.8 | 6.2 |
| | 86 | 30 | 8.0 | 8.0 | 8.0 | 6.8 | 6.2 |
| | 104 | 40 | 8.0 | 8.0 | 8.0 | 6.8 | 6.2 |
| | 113 | 45 | 8.0 | 8.0 | 8.0 | 6.8 | 6.2 |
| 100 (11.2) | 50 | 10 | 9.9 | 9.9 | 9.9 | 8.4 | 7.7 |
| | 68 | 20 | 12.5 | 12.5 | 12.5 | 10.6 | 9.7 |
| | 86 | 30 | 12.5 | 12.5 | 12.5 | 10.6 | 9.7 |
| | 104 | 40 | 12.5 | 12.5 | 12.5 | 10.6 | 9.7 |
| | 113 | 45 | 12.5 | 12.5 | 12.5 | 10.6 | 9.7 |

A
B
C
D
E
F
G
H
I
J
V_a
V_b
BC

2. CAPACITY TABLES

R410A Data G2

2-5a. Cooling capacity in combination with PUMY-P100,125,140YHM

PKFY-P-VAM-E,VGM-E,VFM-E

CA : Capacity(kW) SHC : Sensible Heat Capacity(kW)

| Model size (Rated kW) | Outdoor air temp. | | Indoor air temp. | | | | | | | | | | | | | |
|--------------------------|-------------------|------|------------------|-----|---------------|-----|---------------|-----|---------------|-----|---------------|-----|---------------|-----|---------------|-----|
| | | | 71°FDB/59°FWB | | 73°FDB/61°FWB | | 77°FDB/64°FWB | | 81°FDB/66°FWB | | 82°FDB/68°FWB | | 86°FDB/72°FWB | | 90°FDB/75°FWB | |
| | | | 21.5°CDB/15°CWB | | 23°CDB/16°CWB | | 25°CDB/18°CWB | | 27°CDB/19°CWB | | 28°CDB/20°CWB | | 30°CDB/22°CWB | | 32°CDB/24°CWB | |
| | °FDB | °CDB | CA | SHC | CA | SHC | CA | SHC | CA | SHC | CA | SHC | CA | SHC | CA | SHC |
| 20 (2.2) | 68 | 20.0 | 2.1 | 1.4 | 2.2 | 1.5 | 2.3 | 1.5 | 2.4 | 1.6 | 2.4 | 1.6 | 2.6 | 1.5 | 2.7 | 1.5 |
| | 73 | 22.5 | 2.1 | 1.4 | 2.1 | 1.5 | 2.3 | 1.5 | 2.3 | 1.5 | 2.4 | 1.5 | 2.5 | 1.5 | 2.7 | 1.5 |
| | 77 | 25.0 | 2.0 | 1.4 | 2.1 | 1.4 | 2.2 | 1.4 | 2.3 | 1.5 | 2.4 | 1.5 | 2.5 | 1.5 | 2.6 | 1.5 |
| | 82 | 27.5 | 2.0 | 1.4 | 2.1 | 1.4 | 2.2 | 1.4 | 2.3 | 1.5 | 2.3 | 1.5 | 2.5 | 1.5 | 2.6 | 1.5 |
| | 86 | 30.0 | 2.0 | 1.4 | 2.0 | 1.4 | 2.2 | 1.4 | 2.2 | 1.5 | 2.3 | 1.5 | 2.4 | 1.5 | 2.6 | 1.4 |
| | 91 | 32.5 | 1.9 | 1.3 | 2.0 | 1.4 | 2.1 | 1.4 | 2.2 | 1.5 | 2.3 | 1.5 | 2.4 | 1.5 | 2.6 | 1.4 |
| | 95 | 35.0 | 1.9 | 1.3 | 2.0 | 1.3 | 2.1 | 1.4 | 2.2 | 1.4 | 2.2 | 1.4 | 2.4 | 1.4 | 2.5 | 1.4 |
| | 100 | 37.5 | 1.9 | 1.3 | 1.9 | 1.3 | 2.1 | 1.3 | 2.1 | 1.4 | 2.2 | 1.4 | 2.4 | 1.4 | 2.5 | 1.4 |
| | 104 | 40.0 | 1.8 | 1.2 | 1.9 | 1.3 | 2.0 | 1.3 | 2.1 | 1.4 | 2.2 | 1.4 | 2.3 | 1.4 | 2.5 | 1.4 |
| | 110 | 43.0 | 1.8 | 1.2 | 1.8 | 1.3 | 2.0 | 1.3 | 2.1 | 1.4 | 2.1 | 1.4 | 2.3 | 1.4 | 2.4 | 1.4 |
| 25 (2.8) | 68 | 20.0 | 2.7 | 1.8 | 2.7 | 1.8 | 2.9 | 1.8 | 3.0 | 2.0 | 3.1 | 1.9 | 3.2 | 1.9 | 3.4 | 1.9 |
| | 73 | 22.5 | 2.6 | 1.8 | 2.7 | 1.8 | 2.9 | 1.8 | 3.0 | 1.9 | 3.0 | 1.9 | 3.2 | 1.9 | 3.4 | 1.9 |
| | 77 | 25.0 | 2.6 | 1.7 | 2.7 | 1.8 | 2.8 | 1.8 | 2.9 | 1.9 | 3.0 | 1.9 | 3.2 | 1.9 | 3.3 | 1.9 |
| | 82 | 27.5 | 2.6 | 1.7 | 2.6 | 1.8 | 2.8 | 1.8 | 2.9 | 1.9 | 3.0 | 1.9 | 3.1 | 1.9 | 3.3 | 1.8 |
| | 86 | 30.0 | 2.5 | 1.7 | 2.6 | 1.8 | 2.8 | 1.8 | 2.9 | 1.9 | 2.9 | 1.9 | 3.1 | 1.8 | 3.3 | 1.8 |
| | 91 | 32.5 | 2.5 | 1.7 | 2.6 | 1.7 | 2.7 | 1.7 | 2.8 | 1.8 | 2.9 | 1.8 | 3.1 | 1.8 | 3.2 | 1.8 |
| | 95 | 35.0 | 2.4 | 1.6 | 2.5 | 1.7 | 2.7 | 1.7 | 2.8 | 1.8 | 2.9 | 1.8 | 3.0 | 1.8 | 3.2 | 1.8 |
| | 100 | 37.5 | 2.4 | 1.6 | 2.5 | 1.7 | 2.6 | 1.7 | 2.7 | 1.8 | 2.8 | 1.8 | 3.0 | 1.8 | 3.2 | 1.8 |
| | 104 | 40.0 | 2.3 | 1.6 | 2.4 | 1.6 | 2.6 | 1.6 | 2.7 | 1.8 | 2.8 | 1.8 | 3.0 | 1.8 | 3.2 | 1.7 |
| | 110 | 43.0 | 2.3 | 1.5 | 2.4 | 1.6 | 2.5 | 1.6 | 2.6 | 1.7 | 2.7 | 1.7 | 2.9 | 1.7 | 3.1 | 1.7 |
| 32 (3.6) | 68 | 20.0 | 3.4 | 2.6 | 3.5 | 2.7 | 3.7 | 2.7 | 3.9 | 2.8 | 4.0 | 2.8 | 4.2 | 2.8 | 4.4 | 2.8 |
| | 73 | 22.5 | 3.4 | 2.6 | 3.5 | 2.6 | 3.7 | 2.7 | 3.8 | 2.8 | 3.9 | 2.8 | 4.1 | 2.8 | 4.3 | 2.8 |
| | 77 | 25.0 | 3.3 | 2.5 | 3.4 | 2.6 | 3.7 | 2.6 | 3.8 | 2.8 | 3.9 | 2.8 | 4.1 | 2.8 | 4.3 | 2.7 |
| | 82 | 27.5 | 3.3 | 2.5 | 3.4 | 2.6 | 3.6 | 2.6 | 3.7 | 2.7 | 3.8 | 2.7 | 4.0 | 2.7 | 4.3 | 2.7 |
| | 86 | 30.0 | 3.2 | 2.5 | 3.3 | 2.5 | 3.6 | 2.6 | 3.7 | 2.7 | 3.8 | 2.7 | 4.0 | 2.7 | 4.2 | 2.7 |
| | 91 | 32.5 | 3.2 | 2.4 | 3.3 | 2.5 | 3.5 | 2.5 | 3.6 | 2.7 | 3.7 | 2.7 | 4.0 | 2.7 | 4.2 | 2.7 |
| | 95 | 35.0 | 3.1 | 2.4 | 3.2 | 2.4 | 3.5 | 2.5 | 3.6 | 2.6 | 3.7 | 2.6 | 3.9 | 2.6 | 4.1 | 2.6 |
| | 100 | 37.5 | 3.0 | 2.3 | 3.2 | 2.4 | 3.4 | 2.4 | 3.5 | 2.6 | 3.6 | 2.6 | 3.9 | 2.6 | 4.1 | 2.6 |
| | 104 | 40.0 | 3.0 | 2.3 | 3.1 | 2.3 | 3.3 | 2.4 | 3.5 | 2.6 | 3.6 | 2.6 | 3.8 | 2.6 | 4.1 | 2.6 |
| | 110 | 43.0 | 2.9 | 2.2 | 3.0 | 2.3 | 3.3 | 2.3 | 3.4 | 2.5 | 3.5 | 2.5 | 3.7 | 2.5 | 4.0 | 2.5 |
| 40 (4.5) | 68 | 20.0 | 4.3 | 3.1 | 4.4 | 3.2 | 4.7 | 3.2 | 4.8 | 3.4 | 5.0 | 3.4 | 5.2 | 3.4 | 5.5 | 3.3 |
| | 73 | 22.5 | 4.2 | 3.1 | 4.4 | 3.2 | 4.6 | 3.2 | 4.8 | 3.4 | 4.9 | 3.3 | 5.2 | 3.3 | 5.4 | 3.3 |
| | 77 | 25.0 | 4.2 | 3.0 | 4.3 | 3.1 | 4.6 | 3.1 | 4.7 | 3.3 | 4.8 | 3.3 | 5.1 | 3.3 | 5.4 | 3.2 |
| | 82 | 27.5 | 4.1 | 3.0 | 4.2 | 3.1 | 4.5 | 3.1 | 4.6 | 3.3 | 4.8 | 3.3 | 5.1 | 3.3 | 5.3 | 3.2 |
| | 86 | 30.0 | 4.1 | 2.9 | 4.2 | 3.0 | 4.5 | 3.0 | 4.6 | 3.2 | 4.7 | 3.2 | 5.0 | 3.2 | 5.3 | 3.2 |
| | 91 | 32.5 | 4.0 | 2.9 | 4.1 | 3.0 | 4.4 | 3.0 | 4.5 | 3.2 | 4.7 | 3.2 | 4.9 | 3.2 | 5.2 | 3.2 |
| | 95 | 35.0 | 3.9 | 2.8 | 4.0 | 2.9 | 4.3 | 2.9 | 4.5 | 3.1 | 4.6 | 3.1 | 4.9 | 3.1 | 5.2 | 3.1 |
| | 100 | 37.5 | 3.8 | 2.8 | 3.9 | 2.9 | 4.2 | 2.9 | 4.4 | 3.1 | 4.5 | 3.1 | 4.8 | 3.1 | 5.1 | 3.1 |
| | 104 | 40.0 | 3.7 | 2.7 | 3.9 | 2.8 | 4.2 | 2.9 | 4.3 | 3.0 | 4.5 | 3.1 | 4.8 | 3.1 | 5.1 | 3.1 |
| | 110 | 43.0 | 3.6 | 2.6 | 3.8 | 2.7 | 4.1 | 2.8 | 4.2 | 3.0 | 4.4 | 3.0 | 4.7 | 3.0 | 5.0 | 3.0 |
| 50 (5.6) | 68 | 20.0 | 5.3 | 3.6 | 5.5 | 3.7 | 5.8 | 3.7 | 6.0 | 4.0 | 6.2 | 4.0 | 6.5 | 3.9 | 6.8 | 3.8 |
| | 73 | 22.5 | 5.3 | 3.6 | 5.4 | 3.7 | 5.8 | 3.7 | 5.9 | 3.9 | 6.1 | 3.9 | 6.4 | 3.9 | 6.8 | 3.8 |
| | 77 | 25.0 | 5.2 | 3.5 | 5.3 | 3.6 | 5.7 | 3.6 | 5.9 | 3.9 | 6.0 | 3.9 | 6.4 | 3.8 | 6.7 | 3.8 |
| | 82 | 27.5 | 5.1 | 3.5 | 5.3 | 3.6 | 5.6 | 3.6 | 5.8 | 3.8 | 6.0 | 3.8 | 6.3 | 3.8 | 6.6 | 3.7 |
| | 86 | 30.0 | 5.0 | 3.4 | 5.2 | 3.6 | 5.5 | 3.6 | 5.7 | 3.8 | 5.9 | 3.8 | 6.2 | 3.7 | 6.6 | 3.7 |
| | 91 | 32.5 | 4.9 | 3.4 | 5.1 | 3.5 | 5.5 | 3.5 | 5.6 | 3.7 | 5.8 | 3.7 | 6.1 | 3.7 | 6.5 | 3.6 |
| | 95 | 35.0 | 4.8 | 3.3 | 5.0 | 3.4 | 5.4 | 3.4 | 5.5 | 3.7 | 5.7 | 3.7 | 6.1 | 3.7 | 6.4 | 3.6 |
| | 100 | 37.5 | 4.7 | 3.2 | 4.9 | 3.4 | 5.3 | 3.4 | 5.5 | 3.6 | 5.6 | 3.6 | 6.0 | 3.6 | 6.4 | 3.6 |
| | 104 | 40.0 | 4.6 | 3.2 | 4.8 | 3.3 | 5.2 | 3.3 | 5.4 | 3.6 | 5.6 | 3.6 | 5.9 | 3.6 | 6.3 | 3.5 |
| | 110 | 43.0 | 4.5 | 3.1 | 4.7 | 3.2 | 5.1 | 3.3 | 5.3 | 3.5 | 5.5 | 3.5 | 5.8 | 3.5 | 6.2 | 3.5 |
| 63 (7.1) | 68 | 20.0 | 6.7 | 5.2 | 7.0 | 5.3 | 7.4 | 5.4 | 7.6 | 5.7 | 7.8 | 5.7 | 8.2 | 5.7 | 8.7 | 5.6 |
| | 73 | 22.5 | 6.7 | 5.1 | 6.9 | 5.3 | 7.3 | 5.3 | 7.5 | 5.6 | 7.7 | 5.6 | 8.1 | 5.6 | 8.6 | 5.5 |
| | 77 | 25.0 | 6.6 | 5.0 | 6.8 | 5.2 | 7.2 | 5.2 | 7.4 | 5.5 | 7.6 | 5.5 | 8.1 | 5.5 | 8.5 | 5.5 |
| | 82 | 27.5 | 6.5 | 5.0 | 6.7 | 5.1 | 7.1 | 5.2 | 7.3 | 5.5 | 7.5 | 5.5 | 8.0 | 5.5 | 8.4 | 5.4 |
| | 86 | 30.0 | 6.4 | 4.9 | 6.6 | 5.1 | 7.0 | 5.1 | 7.2 | 5.4 | 7.5 | 5.4 | 7.9 | 5.4 | 8.3 | 5.4 |
| | 91 | 32.5 | 6.3 | 4.8 | 6.5 | 5.0 | 6.9 | 5.0 | 7.1 | 5.3 | 7.4 | 5.3 | 7.8 | 5.4 | 8.2 | 5.3 |
| | 95 | 35.0 | 6.1 | 4.7 | 6.4 | 4.9 | 6.8 | 4.9 | 7.0 | 5.3 | 7.3 | 5.3 | 7.7 | 5.3 | 8.2 | 5.3 |
| | 100 | 37.5 | 6.0 | 4.6 | 6.2 | 4.8 | 6.7 | 4.9 | 6.9 | 5.2 | 7.2 | 5.2 | 7.6 | 5.2 | 8.1 | 5.2 |
| | 104 | 40.0 | 5.9 | 4.5 | 6.1 | 4.7 | 6.6 | 4.8 | 6.8 | 5.1 | 7.1 | 5.1 | 7.5 | 5.2 | 8.0 | 5.2 |
| | 110 | 43.0 | 5.7 | 4.4 | 6.0 | 4.6 | 6.4 | 4.7 | 6.7 | 5.0 | 6.9 | 5.0 | 7.4 | 5.1 | 7.9 | 5.1 |
| 100 (11.2) | 68 | 20.0 | 10.6 | 7.7 | 11.0 | 8.0 | 11.6 | 8.0 | 12.0 | 8.5 | 12.3 | 8.5 | 13.0 | 8.4 | 13.7 | 8.3 |
| | 73 | 22.5 | 10.5 | 7.6 | 10.8 | 7.9 | 11.5 | 7.9 | 11.8 | 8.4 | 12.2 | 8.4 | 12.9 | 8.3 | 13.5 | 8.2 |
| | 77 | 25.0 | 10.4 | 7.5 | 10.7 | 7.8 | 11.4 | 7.8 | 11.7 | 8.3 | 12.0 | 8.3 | 12.7 | 8.2 | 13.4 | 8.1 |
| | 82 | 27.5 | 10.2 | 7.4 | 10.6 | 7.7 | 11.2 | 7.7 | 11.6 | 8.2 | 11.9 | 8.2 | 12.6 | 8.1 | 13.2 | 8.1 |
| | 86 | 30.0 | 10.1 | 7.3 | 10.4 | 7.6 | 11.1 | 7.6 | 11.4 | 8.1 | 11.8 | 8.1 | 12.4 | 8.1 | 13.1 | 8.0 |
| | 91 | 32.5 | 9.9 | 7.2 | 10.2 | 7.4 | 10.9 | 7.5 | 11.3 | 8.0 | 11.6 | 8.0 | 12.3 | 8.0 | 13.0 | 7.9 |
| | 95 | 35.0 | 9.7 | 7.0 | 10.0 | 7.3 | 10.7 | 7.4 | 11.1 | 7.9 | 11.4 | 7.9 | 12.2 | 7.9 | 12.9 | 7.8 |
| | 100 | 37.5 | 9.5 | 6.9 | 9.8 | 7.2 | 10.6 | 7.3 | 10.9 | 7.7 | 11.3 | 7.8 | 12.0 | 7.8 | 12.7 | 7.7 |
| | 104 | 40.0 | 9.3 | 6.7 | 9.6 | 7.0 | 10.4 | 7.1 | 10.8 | 7.6 | 11.1 | 7.7 | 11.9 | 7.7 | 12.6 | 7.7 |
| | 110 | 43.0 | 9.0 | 6.6 | 9.4 | 6.8 | 10.2 | 7.0 | 10.5 | 7.5 | 10.9 | 7.5 | 11.6 | 7.5 | 12.4 | 7.5 |

kcal/h = kW x 860, Btu/h = kW x 3,412

2. CAPACITY TABLES

2-5b. Heating capacity in combination with PUMY-P100,125,140YHM

PKFY-P-VAM-E,VGM-E,VFM-E SHC : Sensible Heat Capacity(kW)

SHC : Sensible Heat Capacity(kW)

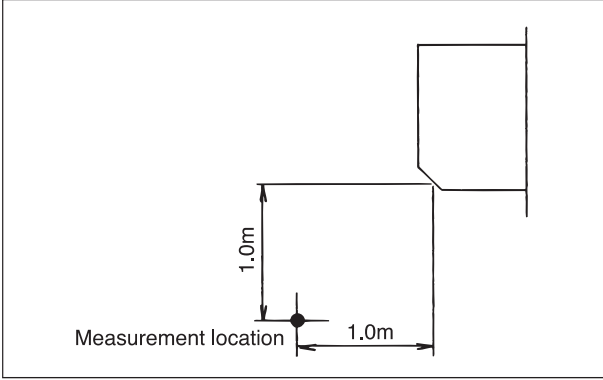
| Model size (Rated kW) | Outdoor air temp. | | Indoor air temp. | | | |
|--------------------------|-------------------|-------|------------------|----------|----------|----------|
| | | | 59 °FDB | 68 °FDB | 77 °FDB | 81 °FDB |
| | | | 15.0°CDB | 20.0°CDB | 25.0°CDB | 27.0°CDB |
| | °FWB | °CWB | SHC | SHC | SHC | SHC |
| 20 (2.2) | -4 | -20.0 | 1.6 | 1.6 | 1.5 | 1.5 |
| | 5 | -15.0 | 1.8 | 1.7 | 1.6 | 1.6 |
| | 14 | -10.0 | 1.9 | 1.8 | 1.8 | 1.8 |
| | 23 | -5.0 | 2.1 | 2.1 | 2.0 | 2.0 |
| | 32 | 0.0 | 2.4 | 2.3 | 2.2 | 2.2 |
| | 37 | 2.5 | 2.5 | 2.4 | 2.3 | 2.3 |
| | 43 | 6.0 | 2.6 | 2.5 | 2.5 | 2.4 |
| | 46 | 7.5 | 2.7 | 2.7 | 2.5 | 2.4 |
| | 50 | 10.0 | 2.8 | 2.8 | 2.5 | 2.4 |
| | 55 | 12.5 | 3.0 | 2.9 | 2.5 | 2.4 |
| 60 | 15.5 | 3.0 | 2.9 | 2.5 | 2.4 | |
| 25 (2.8) | -4 | -20.0 | 2.1 | 2.0 | 1.9 | 1.9 |
| | 5 | -15.0 | 2.2 | 2.1 | 2.1 | 2.0 |
| | 14 | -10.0 | 2.4 | 2.3 | 2.3 | 2.2 |
| | 23 | -5.0 | 2.7 | 2.7 | 2.5 | 2.5 |
| | 32 | 0.0 | 3.0 | 2.9 | 2.8 | 2.8 |
| | 37 | 2.5 | 3.2 | 3.1 | 3.0 | 2.9 |
| | 43 | 6.0 | 3.3 | 3.2 | 3.2 | 3.1 |
| | 46 | 7.5 | 3.5 | 3.4 | 3.2 | 3.1 |
| | 50 | 10.0 | 3.6 | 3.5 | 3.2 | 3.1 |
| | 55 | 12.5 | 3.8 | 3.7 | 3.2 | 3.1 |
| 60 | 15.5 | 3.9 | 3.7 | 3.2 | 3.1 | |
| 32 (3.6) | -4 | -20.0 | 2.6 | 2.5 | 2.4 | 2.4 |
| | 5 | -15.0 | 2.8 | 2.7 | 2.6 | 2.6 |
| | 14 | -10.0 | 3.0 | 2.9 | 2.8 | 2.8 |
| | 23 | -5.0 | 3.4 | 3.3 | 3.2 | 3.1 |
| | 32 | 0.0 | 3.8 | 3.7 | 3.5 | 3.5 |
| | 37 | 2.5 | 4.0 | 3.8 | 3.7 | 3.7 |
| | 43 | 6.0 | 4.1 | 4.0 | 4.0 | 3.9 |
| | 46 | 7.5 | 4.3 | 4.2 | 4.0 | 3.9 |
| | 50 | 10.0 | 4.5 | 4.4 | 4.0 | 3.9 |
| | 55 | 12.5 | 4.7 | 4.6 | 4.0 | 3.9 |
| 60 | 15.5 | 4.8 | 4.6 | 4.0 | 3.9 | |
| 40 (4.5) | -4 | -20.0 | 3.3 | 3.2 | 3.0 | 3.0 |
| | 5 | -15.0 | 3.5 | 3.4 | 3.3 | 3.2 |
| | 14 | -10.0 | 3.8 | 3.7 | 3.6 | 3.5 |
| | 23 | -5.0 | 4.3 | 4.2 | 4.0 | 3.9 |
| | 32 | 0.0 | 4.7 | 4.6 | 4.4 | 4.4 |
| | 37 | 2.5 | 5.0 | 4.8 | 4.7 | 4.6 |
| | 43 | 6.0 | 5.1 | 5.0 | 5.0 | 4.9 |
| | 46 | 7.5 | 5.4 | 5.3 | 5.0 | 4.9 |
| | 50 | 10.0 | 5.7 | 5.5 | 5.0 | 4.9 |
| | 55 | 12.5 | 5.9 | 5.8 | 5.0 | 4.9 |
| 60 | 15.5 | 6.1 | 5.8 | 5.0 | 4.9 | |

| Model size (Rated kW) | Outdoor air temp. | | Indoor air temp. | | | |
|--------------------------|-------------------|-------|------------------|----------|----------|----------|
| | | | 59 °FDB | 68 °FDB | 77 °FDB | 81 °FDB |
| | | | 15.0°CDB | 20.0°CDB | 25.0°CDB | 27.0°CDB |
| | °FWB | °CWB | SHC | SHC | SHC | SHC |
| 50 (5.6) | -4 | -20.0 | 4.1 | 4.0 | 3.8 | 3.7 |
| | 5 | -15.0 | 4.4 | 4.2 | 4.1 | 4.0 |
| | 14 | -10.0 | 4.7 | 4.6 | 4.5 | 4.4 |
| | 23 | -5.0 | 5.4 | 5.2 | 5.0 | 4.9 |
| | 32 | 0.0 | 5.9 | 5.8 | 5.5 | 5.5 |
| | 37 | 2.5 | 6.2 | 6.0 | 5.9 | 5.8 |
| | 43 | 6.0 | 6.4 | 6.3 | 6.2 | 6.1 |
| | 46 | 7.5 | 6.8 | 6.7 | 6.2 | 6.1 |
| | 50 | 10.0 | 7.1 | 6.9 | 6.2 | 6.1 |
| | 55 | 12.5 | 7.4 | 7.2 | 6.2 | 6.1 |
| 60 | 15.5 | 7.6 | 7.2 | 6.2 | 6.1 | |
| 63 (7.1) | -4 | -20.0 | 5.2 | 5.0 | 4.8 | 4.7 |
| | 5 | -15.0 | 5.6 | 5.4 | 5.2 | 5.1 |
| | 14 | -10.0 | 6.0 | 5.8 | 5.7 | 5.6 |
| | 23 | -5.0 | 6.8 | 6.6 | 6.3 | 6.2 |
| | 32 | 0.0 | 7.5 | 7.4 | 7.0 | 7.0 |
| | 37 | 2.5 | 7.9 | 7.7 | 7.4 | 7.4 |
| | 43 | 6.0 | 8.2 | 8.0 | 7.9 | 7.8 |
| | 46 | 7.5 | 8.6 | 8.5 | 7.9 | 7.8 |
| | 50 | 10.0 | 9.0 | 8.8 | 7.9 | 7.8 |
| | 55 | 12.5 | 9.4 | 9.2 | 7.9 | 7.8 |
| 60 | 15.5 | 9.7 | 9.2 | 7.9 | 7.8 | |
| 100 (11.2) | -4 | -20.0 | 8.1 | 7.9 | 7.5 | 7.4 |
| | 5 | -15.0 | 8.8 | 8.4 | 8.1 | 8.0 |
| | 14 | -10.0 | 9.4 | 9.1 | 8.9 | 8.8 |
| | 23 | -5.0 | 10.6 | 10.4 | 9.9 | 9.8 |
| | 32 | 0.0 | 11.8 | 11.5 | 11.0 | 10.9 |
| | 37 | 2.5 | 12.4 | 12.0 | 11.6 | 11.5 |
| | 43 | 6.0 | 12.8 | 12.5 | 12.4 | 12.1 |
| | 46 | 7.5 | 13.5 | 13.3 | 12.4 | 12.1 |
| | 50 | 10.0 | 14.1 | 13.8 | 12.4 | 12.1 |
| | 55 | 12.5 | 14.8 | 14.4 | 12.4 | 12.1 |
| 60 | 15.5 | 15.1 | 14.4 | 12.4 | 12.1 | |

3. SOUND LEVELS

3-1. Sound levels

PKFY-P-VAM,VGM-E,VFM-E



* Measured in anechoic room.

Sound level at anechoic room : Low-(Middle2-Middle1)-High

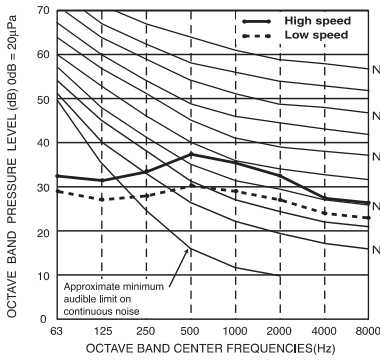
| | Sound level dB (A) |
|----------------|--------------------|
| PKFY-P20VAM-E | 32-33-35-36 |
| PKFY-P25VAM-E | |
| PKFY-P32VGM-E | 33-36-38-41 |
| PKFY-P40VGM-E | |
| PKFY-P50VGM-E | 34-37-40-43 |
| PKFY-P63VFM-E | 39-45 |
| PKFY-P100VFM-E | 41-46 |

3-2. NC curves

PKFY-P20VAM-E

External static pressure : 0Pa

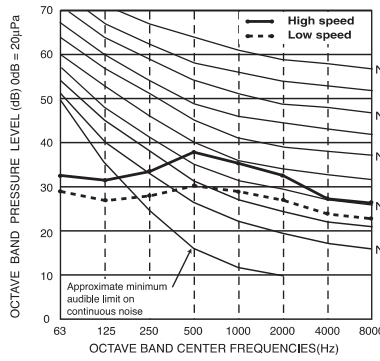
Power source : 220,230,240V, 50Hz / 220V, 60Hz



PKFY-P25VAM-E

External static pressure : 0Pa

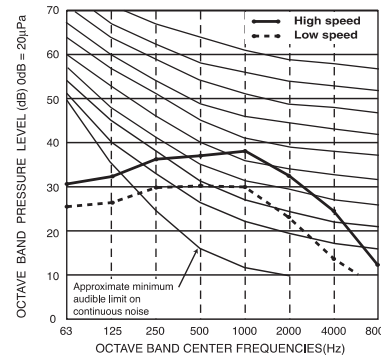
Power source : 220,230,240V, 50Hz / 220V, 60Hz



PKFY-P32VGM-E

External static pressure : 0Pa

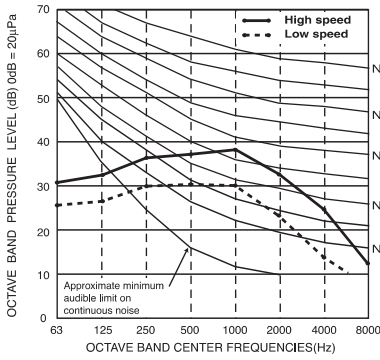
Power source : 220,230,240V, 50Hz / 220V, 60Hz



PKFY-P40VGM-E

External static pressure : 0Pa

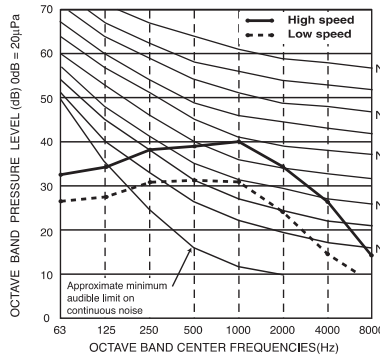
Power source : 220,230,240V, 50Hz / 220V, 60Hz



PKFY-P50VGM-E

External static pressure : 0Pa

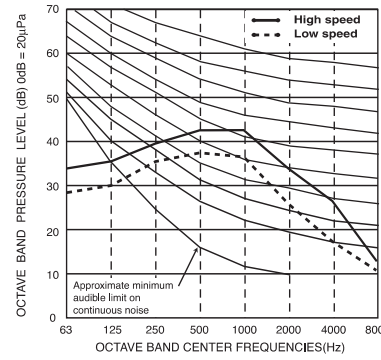
Power source : 220,230,240V, 50Hz / 220V, 60Hz



PKFY-P63VFM-E

External static pressure : 0Pa

Power source : 220,230,240V, 50Hz / 220V, 60Hz

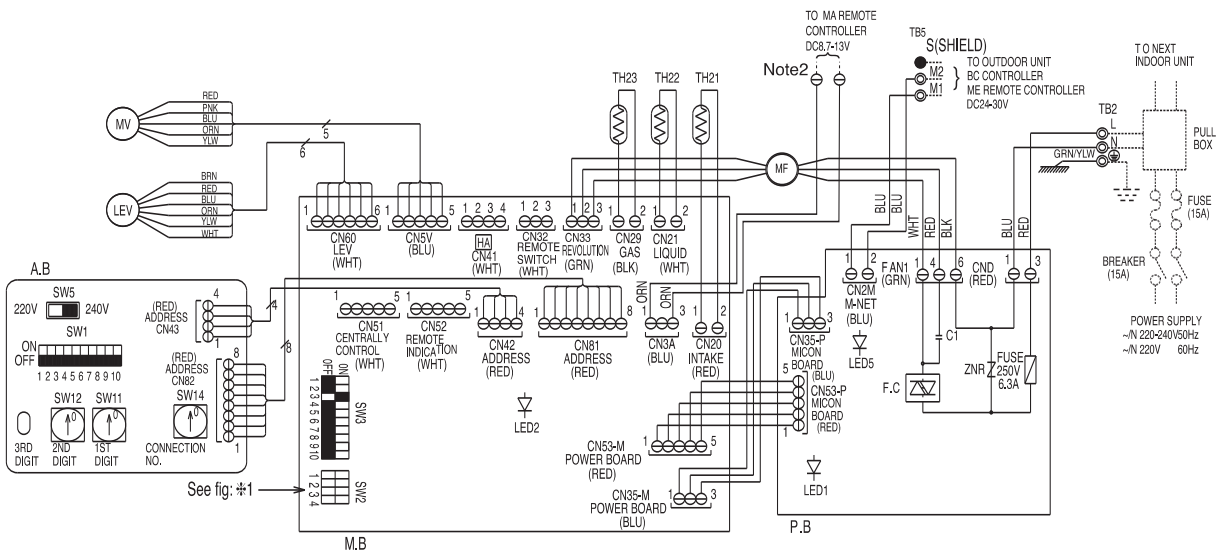


PKFY-P20,25VAM-E

Drw. : IU-RG71-J319

<SYMBOL EXPLANATION>

| Symbol | Name | Symbol | Name | Symbol | Name |
|--------|--|--------|---|------------|---------------------------|
| M.B | Indoor controller board | TH23 | Thermistor | TB2 | Terminal block |
| CN32 | Remote switch | TH22 | Pipe temp. detection/Gas (0°C / 15k, 25°C / 5.4k) | TB5 | ME Remote controller |
| CN41 | HA terminal - A | P.B | Indoor power board | A.B | Circuit board |
| CN51 | Centrally control | ZNR | Varistor | SW1 <A.B> | Mode selection |
| CN52 | Remote indication | FUSE | Fuse (6.3A) | SW5 <A.B> | Voltage selection |
| SW2 | Capacity code | F.C | Fan phase control | SW11 <A.B> | Address setting 1st digit |
| SW3 | Mode selection | MF | Fan motor | SW12 <A.B> | Address setting 2nd digit |
| TH21 | Room temp. detection (0°C / 15k, 25°C / 5.4k) | C1 | Capacity (fan motor) | SW14 <A.B> | Connection No. |
| TH22 | Pipe temp. detection/liquid (0°C / 15k, 25°C / 5.4k) | MV | Vane motor | | |
| | | LEV | Linear expansion valve | | |



Note

1. At servicing for outdoor unit, always follow the wiring diagram of outdoor unit.
2. In case of connecting MA Remote controller, please connect MA Remote controller to the connector. (Remote controller wire is non-polar.)
3. In case of using M-NET, please connect to the wire. (BLU, two wire) <M1, M2> of CN2M (Transmission line is non-polar.)
4. Symbols used in wiring diagram above are, ⊙ : terminal block, ⊖ : connector, ● : direct wire connection.
5. The setting of the SW2 dip switches differs in the capacity. For the detail, refer to the fig: #1.
6. Please set the switch SW5 according to the power supply voltage.
SW5 to 240V side when the power supply is 230 and 240 volts.
When the power supply is 220 volts, set SW5 to 220V side.

LED on indoor board for service

| Mark | Meaning | Function |
|------|---------------------------------------|---|
| LED1 | Main power supply | Main power supply (indoor unit:220-240V) power on ⇒ lamp is lit |
| LED2 | Power supply for MA Remote controller | Power supply for MA Remote controller on ⇒ lamp is lit |

<※ 1>

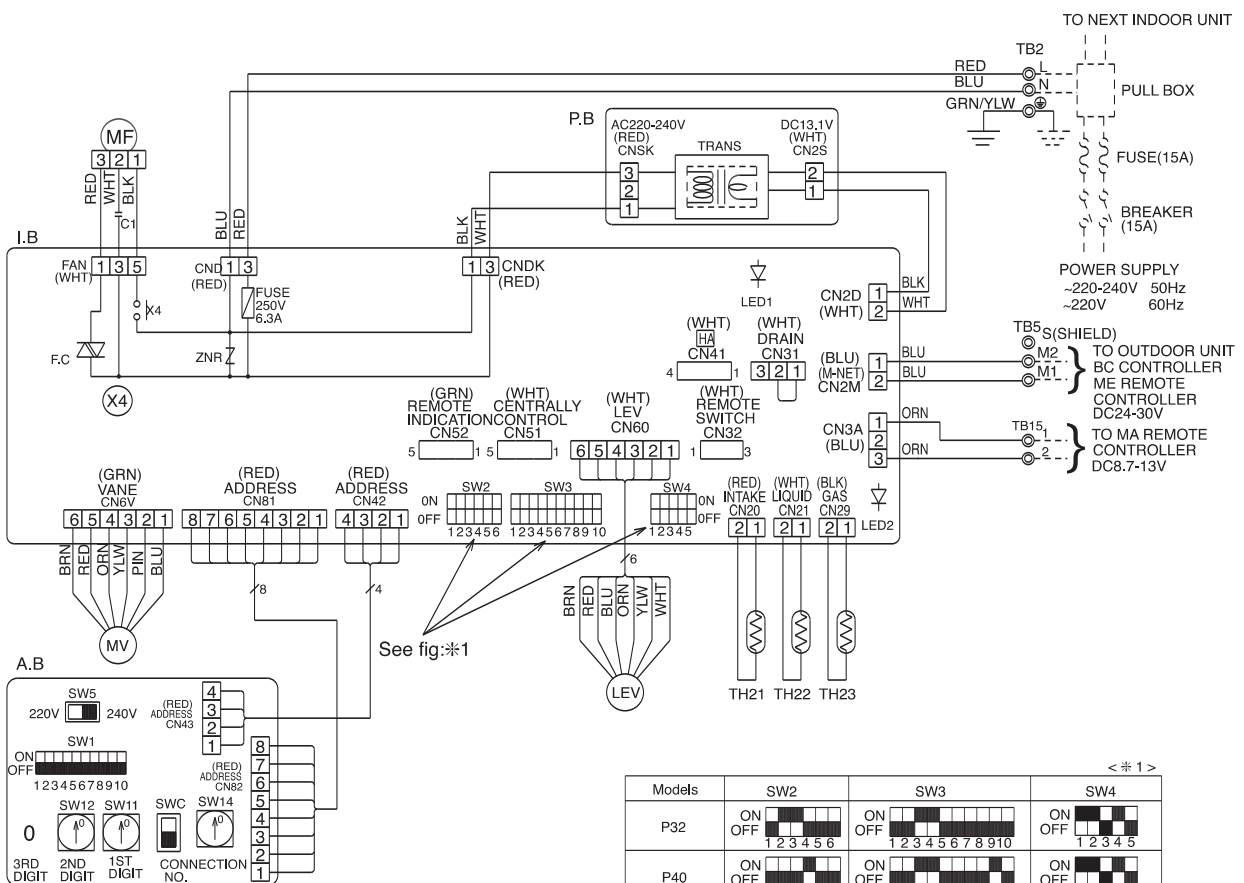
| MODELS | SW2 | MODELS | SW2 |
|--------|-------------------|--------|-------------------|
| P20 | ON OFF 1 2 3 4 | P25 | ON OFF 1 2 3 4 |

PKFY-P32,40,50VGM-E

Drw. : IU-RG79-N550

<SYMBOL EXPLANATION>

| Symbol | Name | Symbol | Name | Symbol | Name | |
|--------|-------------------------|--------|-----------------------------------|---------------------------|--------------------|---------------------------|
| I.B | Indoor controller board | TH21 | Thermistor | A.B | Circuit board | |
| CN32 | Connector | TH22 | | SW1 | | Mode selection |
| CN41 | Remote switch | TH23 | | SW5 | | Voltage selection |
| CN51 | HA terminal-A | | | SW11 | | Address setting 1st digit |
| CN52 | Centrally control | | SW12 | Address setting 2nd digit | | |
| SW2 | Switch | | SW14 | Connection No. | | |
| SW3 | Capacity code | MF | Fan motor (with inner thermostat) | SWC | Option selector | |
| SW4 | Model selection | C1 | Capacitor (fan motor) | P.B | Indoor power board | |
| ZNR | Varistor | MV | Vane motor | | | |
| X4 | Aux.Relay (Fan motor) | TB2 | Terminal block | | | |
| FUSE | Fuse (6.3A) | TB5 | Power supply | | | |
| F.C | Fan phase control | TB15 | Transmission | | | |
| | | LEV | Linear expansion valve | | | |



NOTE

- At servicing for outdoor unit, always follow the wiring diagram of outdoor unit.
- In case of using MA Remote controller, please connect to TB15.
(Remote controller wire is non-polar.)
- In case of using M-NET, please connect to TB5. (Transmission line is non-polar.)
- Symbol[S] of TB5 is the shield wire connection.
- Symbols used in wiring diagram above are,
⊙:Terminal block, □:Connector.
- The setting of the SW2 dip switches differs in the capacity. For the detail, refer to the fig: *1.
- Please set the switch SW5 according to the power supply voltage.
Set SW5 to 240V side when the power supply is 230 and 240 volts.
When the power supply is 220 volts, set SW5 to 220V side.

< # 1 >

| Models | SW2 | SW3 | SW4 |
|--------|-----------------------|--------------------------------|---------------------|
| P32 | ON OFF 1 2 3 4 5 6 | ON OFF 1 2 3 4 5 6 7 8 9 10 | ON OFF 1 2 3 4 5 |
| P40 | ON OFF 1 2 3 4 5 6 | ON OFF 1 2 3 4 5 6 7 8 9 10 | ON OFF 1 2 3 4 5 |
| P50 | ON OFF 1 2 3 4 5 6 | ON OFF 1 2 3 4 5 6 7 8 9 10 | ON OFF 1 2 3 4 5 |

Led on indoor board for service

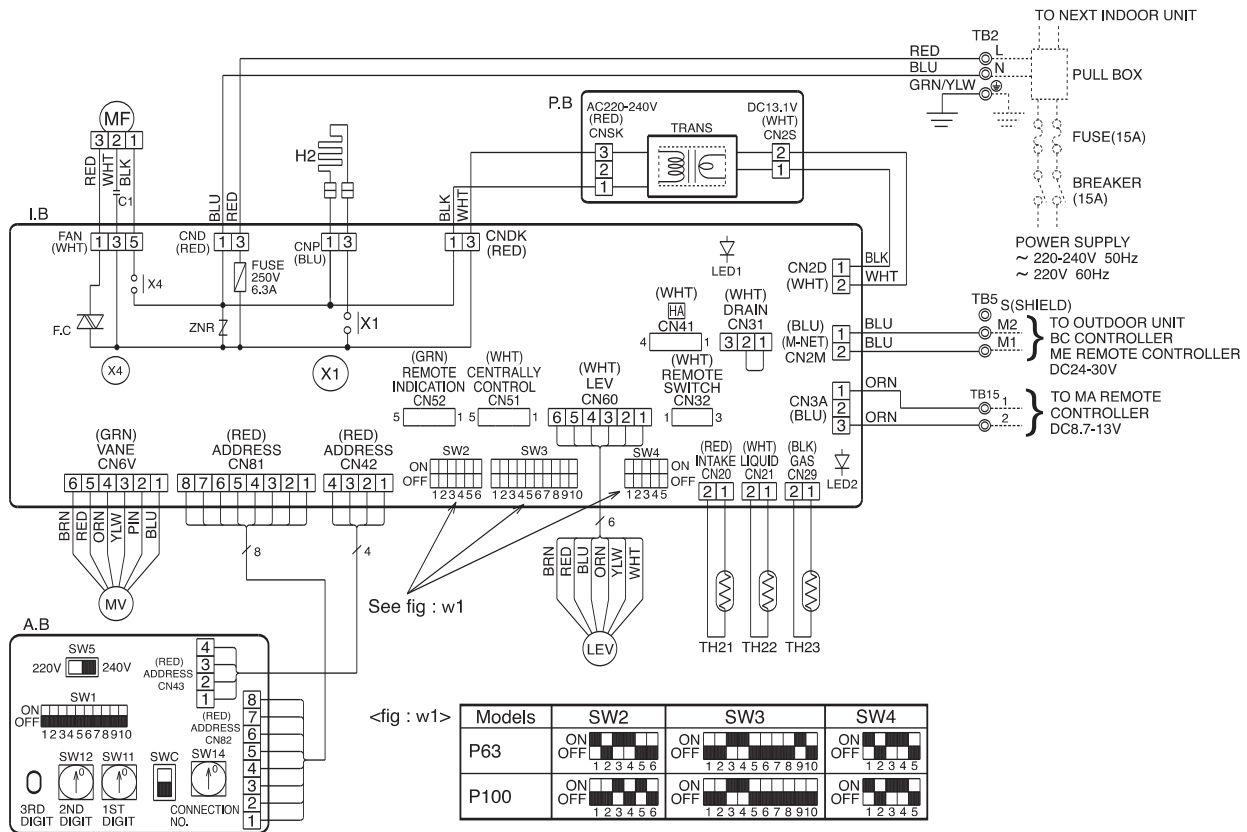
| Mark | Meaning | Function |
|------|---------------------------------------|---|
| LED1 | Main power supply | Main power supply (indoor unit:220-240V) power on → lamp is lit |
| LED2 | Power supply for MA Remote controller | Power supply for MA Remote controller on → lamp is lit |

PKFY-P63,VFM-E

Drw. : IU-RG79-V059

<SYMBOL EXPLANATION>

| Symbol | Name | Symbol | Name | Symbol | Name |
|--------|-------------------------|--------|---|--------|--|
| I.B | Indoor controller board | C1 | Capacitor (fan motor) | TH23 | Thermistor Pipe temp.detection/Gas (0C/15t,25C/5.4t) |
| CN32 | Connector Remote switch | LEV | Linear expansion valve | A.B | Circuit board |
| CN41 | HA terminal-A | MF | Fan motor (with inner thermo) | SW1 | Switch Mode selection |
| CN51 | Centrally control | MV | Vane motor | SW5 | Voltage selection |
| CN52 | Remote indication | P.B | Indoor power board | SW11 | Address setting 1st digit |
| F.C | Fan phase control | TB2 | Terminal block | SW12 | Address setting 2nd digit |
| FUSE | Fuse (6.3A/ 250V) | TB5 | Terminal block | SW14 | Connection No. |
| SW2 | Switch Capacity code | TB15 | Terminal block | SWC | Option selector |
| SW3 | Mode selection | TH21 | Thermistor Room temp.detection (0C/15t,25C/5.4t) | I.B | CNP Connector D.Heater |
| SW4 | Model selection | TH22 | Thermistor Pipe temp.detection/Liquid (0C/15t,25C/5.4t) | X1 | Aux. Relay (D.Heater) |
| X4 | Aux.Relay (Fan motor) | | | H2 | Dew prevention heater |
| ZNR | Varistor | | | | |



<fig : w1>

| Models | SW2 | SW3 | SW4 |
|--------|--------------------|-----------------------------|------------------|
| P63 | ON OFF 1 2 3 4 5 6 | ON OFF 1 2 3 4 5 6 7 8 9 10 | ON OFF 1 2 3 4 5 |
| P100 | ON OFF 1 2 3 4 5 6 | ON OFF 1 2 3 4 5 6 7 8 9 10 | ON OFF 1 2 3 4 5 |

Note

- At servicing for outdoor unit, always follow the wiring diagram of outdoor unit.
- In case of using MA-Remote controller, please connect to TB15. (Remote controller wire is non-polar.)
- In case of using M-NET, please connect to TB5. (Transmission line is non-polar.)
- Symbol[S] of TB5 is the shield wire connection.
- Symbols used in wiring diagram above are, ⊙:terminal block, □:connector.
- The setting of the SW2 dip switches differs in the capacity for the detail, refer to the fig : w1.
- Please set the switch SW5 according to the power supply voltage. Set SW5 to 240V side when the power supply is 230 and 240 volts. When the power supply is 220 volts, set SW5 to 220V side.

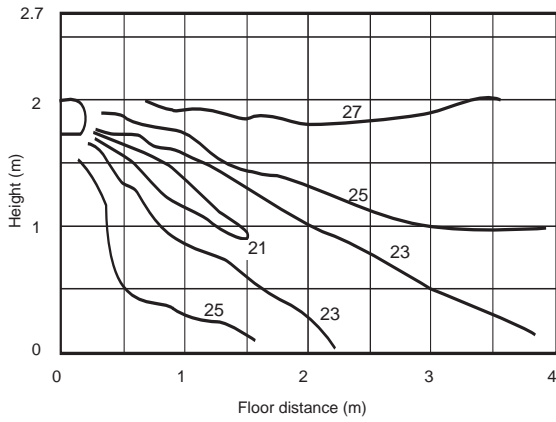
LED on indoor board for service

| Mark | Meaning | Function |
|------|---------------------------------------|---|
| LED1 | Main power supply | Main power supply (Indoor unit : 220-240V) power on → lamp is lit |
| LED2 | Power supply for MA-Remote controller | Power supply for MA-Remote controller on → lamp is lit |

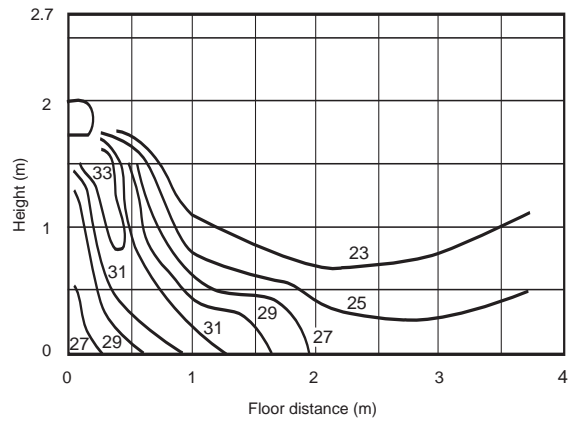
6-1. Temperature distributions

PKFY-P-VAM-E

<Cooling mode>
Horizontal air flow



<Heating mode>
Downward air flow

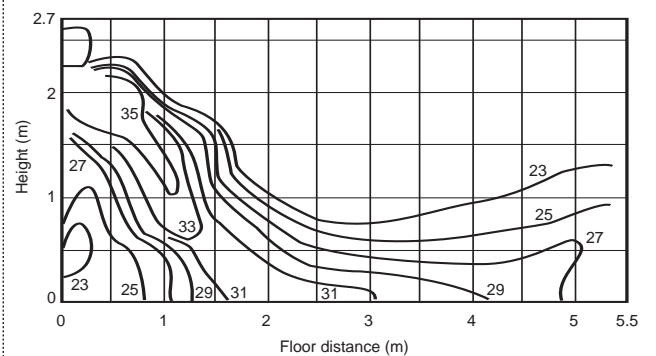


PKFY-P-VGM-E

<Cooling mode>
Flow angle : 10°



<Heating mode>
Flow angle : 70°



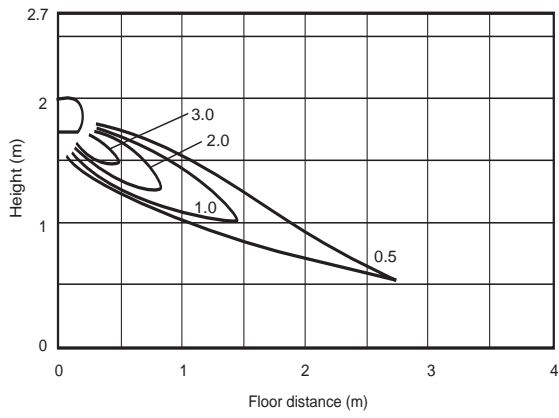
Note : These figures show typical temperature distributions in the conditions above. In the actual installation, they may differ from these figures under the influence of air temperature conditions, ceiling height, cooling/heating load, obstacles, etc.

6-2. Airflow distributions

PKFY-P-VAM-E

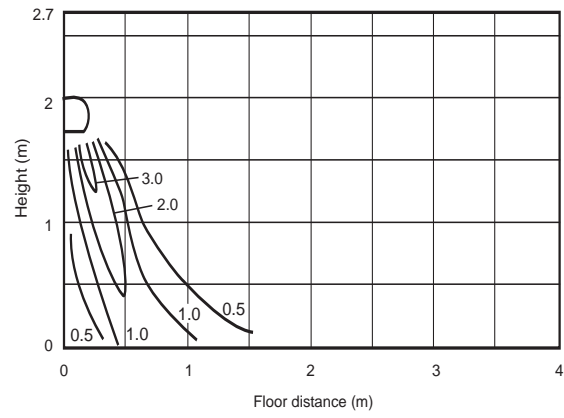
<Fan mode>

Horizontal air flow



<Fan mode>

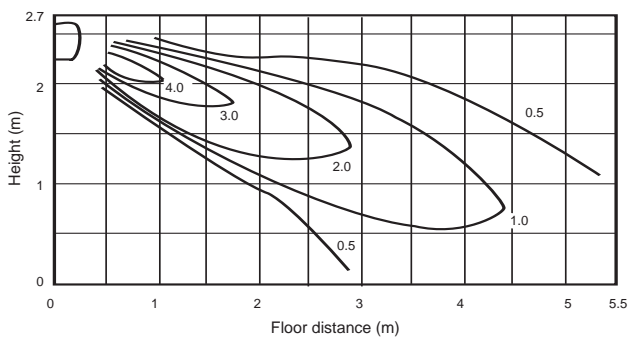
Downward air flow



PKFY-P-VGM-E

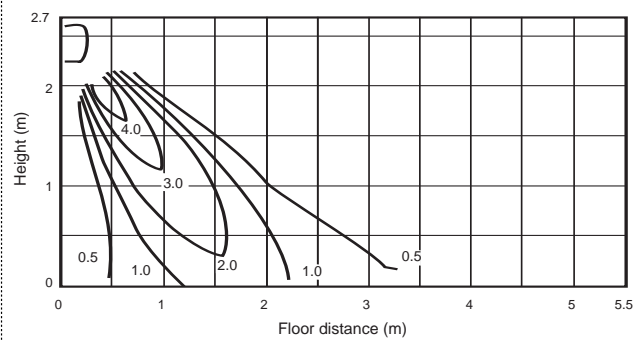
<Fan mode>

Flow angle : 10°



<Fan mode>

Flow angle : 70°



Note : These figures show typical airflow distributions in the conditions above. In the actual installation, they may differ from these figures under the influence of air temperature conditions, ceiling height, cooling/heating load, obstacles, etc.