

Wall mounted

PKFY-P-VAM-A
PKFY-P-VGM-A

CONTENTS

1. Specifications 404

2. Capacity Tables 405

 2-1 Cooling capacity(Y-5HP)405

 2-2 Heating capacity(Y-5HP)406

 2-3 Cooling capacity(Y-8·10HP,R2-8·10HP) 407

 2-4 Heating capacity(Y-8·10HP,R2-8·10HP) 408

 2-5 Cooling capacity(Super Y) 409

 2-6 Heating capacity(Super Y)..... 410

 2-7 Cooling capacity(PQRY)411

 2-8 Heating capacity(PQRY)411

3. Sound Levels412

 3-1 Noise levels 412

 3-2 N/C curves 412

4. External Dimensions 413

5. Electrical Wiring Diagrams415

6. Temperature/Airflow distribution417



1. Specifications

			PKFY-P20VAM-A	PKFY-P25VAM-A	PKFY-P32VGM-A	PKFY-P40VGM-A	PKFY-P50VGM-A
Power source			~ 220-240V 50Hz ~ 220V 60Hz				
Cooling capacity	* 1	kW	2.2	2.8	3.6	4.5	5.6
	* 2	kcal/h	2,000	2,500	3,150	4,000	5,000
Heating capacity	* 1	kW	2.5	3.2	4.0	5.0	6.3
Power consumption	Cooling	kW	0.04		0.07		
	Heating	kW	0.04		0.07		
Current	Cooling	A	0.20		0.32		
	Heating	A	0.20		0.32		
External finish(Munsel No.)			Plastic 2.60Y 8.66/0.69		Plastic <PS,ABS> white 0.70Y 8.59/0.97		
Dimension	Height	mm	295		340		
	Width	mm	815		990		
	Depth	mm	158		235		
Net weight		kg	8.5		16		
Heat exchanger			Cross fin (Aluminum plate fin and copper tube)				
Fan	Type		Line flow fan X 1				
	Airflow rate * 3 (Lo-Mid2-Mid1-Hi)	m ³ /min	4.9-5.2-5.6-5.9		8-9.5-10.5-11.5		9-10-11-12
	External static pressure	Pa	0				
Motor	Type		Single phase induction motor				
	Output	kW	0.017		0.030		
Air filter			PP Honeycomb (long life)				
Refrigerant pipe dimension	Gas (Flare)	mm	ø□12.7			ø□15.88	
	Liquid (Flare)	mm	ø□6.35			ø□9.52	
Drain pipe dimension			ø□28,VP-16		VP-20		
Noise level (Lo-Mid2-Mid1-Hi) * 3			dB(A) 32-33-35-36		33-36-38-41		34-37-40-43

Note: * 1 Cooling/Heating capacity indicates the maximum value at operation under the following condition.
Cooling : Indoor 27°CDB/19°CWB, Outdoor 35°CDB
Heating : Indoor 20°CDB, Outdoor 7°CDB/6°CWB
* 2 Cooling capacity indicates the maximum value at operation under the following condition.
Cooling : Indoor 27°CDB/19.5°CWB, Outdoor 35°CDB (WR2: water 30°C)
* 3 Airflow rate/noise level are in (low-middle2-middle1-high).

2. Capacity tables

2-1.Cooling Capacity (In combination with PUMY-125YM(A))

PKFY-P-VAM-AVGM-A

CA:Capacity(kW)

SHC:Sensible heat Capacity(kW)

Unit size	Outdoor air temp.	Indoor air temp.							
		23°CDB 16°CWB		25°CDB 18°CWB		28°CDB 20°CWB		30°CDB 22°CWB	
		CA	SHC	CA	SHC	CA	SHC	CA	SHC
20 (2.2)	20.0	2.2	1.5	2.3	1.6	2.4	1.6	2.6	1.6
	22.5	2.1	1.5	2.3	1.6	2.4	1.6	2.6	1.6
	25.0	2.1	1.5	2.3	1.6	2.4	1.6	2.5	1.6
	27.5	2.1	1.5	2.2	1.6	2.4	1.6	2.5	1.6
	30.0	2.1	1.5	2.2	1.5	2.3	1.5	2.5	1.6
	32.5	2.0	1.5	2.2	1.5	2.3	1.5	2.5	1.6
	35.0	2.0	1.4	2.1	1.5	2.3	1.5	2.4	1.6
	37.5	2.0	1.4	2.1	1.5	2.2	1.5	2.4	1.5
	40.0	2.0	1.4	2.1	1.5	2.2	1.5	2.4	1.5
46.0	1.9	1.4	2.0	1.5	2.1	1.4	2.3	1.5	
25 (2.8)	20.0	2.8	1.9	2.9	2.0	3.1	2.0	3.3	2.0
	22.5	2.7	1.9	2.9	2.0	3.1	2.0	3.2	2.0
	25.0	2.7	1.9	2.9	2.0	3.1	2.0	3.2	2.0
	27.5	2.7	1.9	2.8	2.0	3.0	1.9	3.2	2.0
	30.0	2.6	1.8	2.8	1.9	3.0	1.9	3.2	2.0
	32.5	2.6	1.8	2.8	1.9	2.9	1.9	3.1	2.0
	35.0	2.6	1.8	2.7	1.9	2.9	1.9	3.1	1.9
	37.5	2.5	1.8	2.7	1.9	2.9	1.9	3.0	1.9
	40.0	2.5	1.8	2.7	1.9	2.8	1.8	3.0	1.9
46.0	2.4	1.7	2.6	1.8	2.7	1.8	2.9	1.9	
32 (3.6)	20.0	3.6	2.8	3.7	3.0	4.0	3.0	4.2	3.1
	22.5	3.5	2.8	3.7	3.0	4.0	2.9	4.2	3.0
	25.0	3.5	2.8	3.7	2.9	3.9	2.9	4.1	3.0
	27.5	3.4	2.8	3.6	2.9	3.9	2.9	4.1	3.0
	30.0	3.4	2.8	3.6	2.9	3.8	2.9	4.1	3.0
	32.5	3.3	2.7	3.6	2.9	3.8	2.9	4.0	3.0
	35.0	3.3	2.7	3.5	2.9	3.7	2.8	4.0	2.9
	37.5	3.2	2.7	3.5	2.8	3.7	2.8	3.9	2.9
	40.0	3.2	2.7	3.4	2.8	3.6	2.8	3.9	2.9
46.0	3.1	2.6	3.3	2.8	3.5	2.7	3.7	2.8	
40 (4.5)	20.0	4.5	3.3	4.7	3.4	5.0	3.4	5.3	3.5
	22.5	4.4	3.2	4.6	3.4	5.0	3.4	5.2	3.4
	25.0	4.3	3.2	4.6	3.4	4.9	3.3	5.2	3.4
	27.5	4.3	3.2	4.6	3.3	4.9	3.3	5.1	3.4
	30.0	4.2	3.1	4.5	3.3	4.8	3.3	5.1	3.4
	32.5	4.2	3.1	4.4	3.3	4.7	3.2	5.0	3.4
	35.0	4.1	3.1	4.4	3.2	4.7	3.2	5.0	3.3
	37.5	4.1	3.1	4.3	3.2	4.6	3.2	4.9	3.3
	40.0	4.0	3.0	4.3	3.2	4.5	3.2	4.8	3.3
46.0	3.8	3.0	4.1	3.1	4.3	3.1	4.6	3.2	
50 (5.6)	20.0	5.5	3.8	5.8	4.0	6.2	4.0	6.6	4.1
	22.5	5.5	3.8	5.8	3.9	6.2	3.9	6.5	4.0
	25.0	5.4	3.8	5.7	3.9	6.1	3.9	6.4	4.0
	27.5	5.3	3.7	5.7	3.9	6.0	3.9	6.4	4.0
	30.0	5.3	3.7	5.6	3.9	5.9	3.8	6.3	3.9
	32.5	5.2	3.6	5.5	3.8	5.9	3.8	6.2	3.9
	35.0	5.1	3.6	5.5	3.8	5.8	3.7	6.2	3.9
	37.5	5.0	3.6	5.4	3.7	5.7	3.7	6.1	3.8
	40.0	5.0	3.5	5.3	3.7	5.6	3.7	6.0	3.8
46.0	4.8	3.4	5.1	3.6	5.4	3.6	5.8	3.7	

PKFY-P-VAM-A/VGM-A

2-2.Heating Capacity (In combination with PUMY-125YM(A))

PKFY-P-VAM-A,VGM-A

Unit size	Outdoor air temp. °CWB	Indoor air temp.:°CDB		
		15.0	20.0	25.0
		SHC	SHC	SHC
20	-12.0	1.6	1.6	1.5
	-10.0	1.7	1.6	1.6
	-5.0	1.9	1.9	1.9
	0.0	2.2	2.1	2.1
	2.5	2.3	2.3	2.3
	6.0	2.5	2.5	2.5
	7.5	2.6	2.6	2.5
	10.0	2.8	2.7	2.5
	12.5	2.9	2.8	2.5
	15.5	3.1	2.8	2.5
25	-12.0	2.0	2.0	2.0
	-10.0	2.1	2.1	2.1
	-5.0	2.4	2.4	2.4
	0.0	2.8	2.8	2.7
	2.5	3.0	2.9	2.9
	6.0	3.2	3.2	3.2
	7.5	3.3	3.3	3.2
	10.0	3.5	3.5	3.2
	12.5	3.7	3.5	3.2
	15.5	3.9	3.5	3.2

SHC:Sensible heat Capacity(kW)

Unit size	Outdoor air temp. °CWB	Indoor air temp.:°CDB		
		15.0	20.0	25.0
		SHC	SHC	SHC
32	-12.0	2.5	2.5	2.5
	-10.0	2.7	2.6	2.6
	-5.0	3.1	3.0	3.0
	0.0	3.5	3.4	3.4
	2.5	3.7	3.7	3.6
	6.0	4.0	4.0	3.9
	7.5	4.2	4.1	4.0
	10.0	4.4	4.4	4.0
	12.5	4.7	4.4	4.0
	15.5	4.9	4.4	4.0
40	-12.0	3.2	3.1	3.1
	-10.0	3.4	3.3	3.2
	-5.0	3.8	3.8	3.7
	0.0	4.3	4.3	4.2
	2.5	4.6	4.6	4.5
	6.0	5.0	5.0	4.9
	7.5	5.2	5.2	5.0
	10.0	5.5	5.5	5.0
	12.5	5.9	5.5	5.0
	15.5	6.2	5.5	5.0
50	-12.0	4.0	3.9	3.9
	-10.0	4.2	4.2	4.1
	-5.0	4.8	4.8	4.7
	0.0	5.5	5.4	5.3
	2.5	5.8	5.8	5.7
	6.0	6.3	6.3	6.2
	7.5	6.6	6.5	6.2
	10.0	7.0	6.9	6.2
	12.5	7.4	7.0	6.2
	15.5	7.7	7.0	6.2

2-3.Cooling Capacity (In combination with PU(H)Y,PURY-(P)200-250YMF-C)

PKFY-P-VAM-A,VGM-A

CA:Capacity(kW)

SHC:Sensible heat Capacity(kW)

Unit size	Outdoor air temp.	Indoor air temp.													
		21.5°CDB 15°CWB		23°CDB 16°CWB		25°CDB 18°CWB		27°CDB 19°CWB		28°CDB 20°CWB		30°CDB 22°CWB		32°CDB 24°CWB	
		°CDB	CA	SHC	CA	SHC	CA	SHC	CA	SHC	CA	SHC	CA	SHC	CA
20 (2.2)	20.0	2.2	1.5	2.2	1.5	2.3	1.5	2.3	1.5	2.4	1.6	2.5	1.5	2.6	1.5
	22.5	2.1	1.5	2.2	1.5	2.3	1.5	2.3	1.5	2.4	1.5	2.4	1.5	2.5	1.5
	25.0	2.1	1.5	2.2	1.5	2.2	1.5	2.3	1.5	2.3	1.5	2.4	1.5	2.5	1.5
	27.5	2.1	1.5	2.1	1.5	2.2	1.5	2.3	1.5	2.3	1.5	2.4	1.5	2.5	1.4
	30.0	2.1	1.5	2.1	1.5	2.2	1.5	2.2	1.5	2.3	1.5	2.4	1.5	2.5	1.4
	32.5	2.0	1.5	2.1	1.5	2.2	1.5	2.2	1.5	2.3	1.5	2.4	1.5	2.4	1.4
	35.0	2.0	1.5	2.1	1.5	2.2	1.5	2.2	1.5	2.2	1.5	2.3	1.5	2.4	1.4
	37.5	2.0	1.4	2.0	1.5	2.1	1.4	2.2	1.4	2.2	1.5	2.3	1.5	2.4	1.4
	40.0	2.0	1.4	2.0	1.5	2.1	1.4	2.2	1.4	2.2	1.5	2.3	1.4	2.4	1.4
43.0	2.0	1.4	2.0	1.4	2.1	1.4	2.1	1.4	2.2	1.5	2.3	1.4	2.3	1.4	
25 (2.8)	20.0	2.7	1.9	2.8	1.9	2.9	1.9	3.0	1.9	3.0	1.9	3.1	1.9	3.2	1.8
	22.5	2.7	1.9	2.8	1.9	2.9	1.9	2.9	1.9	3.0	1.9	3.1	1.9	3.2	1.8
	25.0	2.7	1.9	2.7	1.9	2.9	1.9	2.9	1.9	3.0	1.9	3.1	1.9	3.2	1.8
	27.5	2.7	1.9	2.7	1.9	2.8	1.8	2.9	1.9	2.9	1.9	3.1	1.9	3.2	1.8
	30.0	2.6	1.8	2.7	1.9	2.8	1.8	2.9	1.8	2.9	1.9	3.0	1.8	3.1	1.8
	32.5	2.6	1.8	2.7	1.9	2.8	1.8	2.8	1.8	2.9	1.9	3.0	1.8	3.1	1.8
	35.0	2.6	1.8	2.6	1.9	2.7	1.8	2.8	1.8	2.9	1.9	3.0	1.8	3.1	1.8
	37.5	2.5	1.8	2.6	1.8	2.7	1.8	2.8	1.8	2.8	1.9	2.9	1.8	3.1	1.8
	40.0	2.5	1.8	2.6	1.8	2.7	1.8	2.7	1.8	2.8	1.8	2.9	1.8	3.0	1.7
43.0	2.5	1.8	2.5	1.8	2.7	1.8	2.7	1.8	2.8	1.8	2.9	1.8	3.0	1.7	
32 (3.6)	20.0	3.5	2.8	3.6	2.9	3.7	2.8	3.8	2.9	3.9	3.0	4.0	2.9	4.2	2.8
	22.5	3.5	2.8	3.6	2.9	3.7	2.8	3.8	2.9	3.9	3.0	4.0	2.9	4.1	2.8
	25.0	3.5	2.8	3.5	2.9	3.7	2.8	3.7	2.9	3.8	3.0	4.0	2.9	4.1	2.8
	27.5	3.4	2.8	3.5	2.9	3.6	2.8	3.7	2.8	3.8	2.9	3.9	2.9	4.1	2.8
	30.0	3.4	2.8	3.5	2.8	3.6	2.8	3.7	2.8	3.7	2.9	3.9	2.9	4.0	2.8
	32.5	3.3	2.7	3.4	2.8	3.6	2.8	3.6	2.8	3.7	2.9	3.9	2.9	4.0	2.8
	35.0	3.3	2.7	3.4	2.8	3.5	2.8	3.6	2.8	3.7	2.9	3.8	2.8	4.0	2.8
	37.5	3.3	2.7	3.3	2.8	3.5	2.7	3.6	2.8	3.6	2.9	3.8	2.8	3.9	2.8
	40.0	3.2	2.7	3.3	2.8	3.5	2.7	3.5	2.8	3.6	2.9	3.7	2.8	3.9	2.7
43.0	3.2	2.7	3.3	2.8	3.4	2.7	3.5	2.8	3.6	2.9	3.7	2.8	3.8	2.7	
40 (4.5)	20.0	4.4	3.2	4.5	3.3	4.7	3.2	4.8	3.2	4.9	3.3	5.0	3.3	5.2	3.2
	22.5	4.4	3.2	4.5	3.3	4.6	3.2	4.7	3.2	4.8	3.3	5.0	3.2	5.2	3.2
	25.0	4.3	3.2	4.4	3.3	4.6	3.2	4.7	3.2	4.8	3.3	5.0	3.2	5.1	3.1
	27.5	4.3	3.2	4.4	3.2	4.5	3.2	4.6	3.2	4.7	3.3	4.9	3.2	5.1	3.1
	30.0	4.2	3.1	4.3	3.2	4.5	3.1	4.6	3.2	4.7	3.3	4.9	3.2	5.0	3.1
	32.5	4.2	3.1	4.3	3.2	4.5	3.1	4.5	3.2	4.6	3.3	4.8	3.2	5.0	3.1
	35.0	4.1	3.1	4.2	3.2	4.4	3.1	4.5	3.1	4.6	3.2	4.8	3.2	5.0	3.1
	37.5	4.1	3.1	4.2	3.2	4.4	3.1	4.5	3.1	4.5	3.2	4.7	3.1	4.9	3.1
	40.0	4.1	3.1	4.1	3.1	4.3	3.1	4.4	3.1	4.5	3.2	4.7	3.1	4.9	3.0
43.0	4.0	3.0	4.1	3.1	4.3	3.0	4.4	3.1	4.4	3.2	4.6	3.1	4.8	3.0	
50 (5.6)	20.0	5.5	3.8	5.6	3.9	5.8	3.8	5.9	3.8	6.0	3.9	6.3	3.7	6.5	3.6
	22.5	5.4	3.8	5.5	3.8	5.8	3.7	5.9	3.7	6.0	3.8	6.2	3.7	6.4	3.6
	25.0	5.4	3.7	5.5	3.8	5.7	3.7	5.8	3.7	5.9	3.8	6.2	3.7	6.4	3.6
	27.5	5.3	3.7	5.4	3.8	5.7	3.7	5.8	3.7	5.9	3.8	6.1	3.7	6.3	3.6
	30.0	5.3	3.7	5.4	3.7	5.6	3.7	5.7	3.7	5.8	3.8	6.0	3.7	6.3	3.5
	32.5	5.2	3.6	5.3	3.7	5.5	3.6	5.7	3.6	5.8	3.7	6.0	3.6	6.2	3.5
	35.0	5.2	3.6	5.3	3.7	5.5	3.6	5.6	3.6	5.7	3.7	5.9	3.6	6.2	3.5
	37.5	5.1	3.6	5.2	3.7	5.4	3.6	5.5	3.6	5.7	3.7	5.9	3.6	6.1	3.5
	40.0	5.0	3.6	5.2	3.6	5.4	3.5	5.5	3.6	5.6	3.7	5.8	3.6	6.0	3.5
43.0	5.0	3.5	5.1	3.6	5.3	3.5	5.4	3.5	5.5	3.6	5.8	3.5	6.0	3.4	

PKFY-P-VAM-A/VGM-A

2-4.Heating Capacity (In combination with PU(H)Y,PURY-(P)200-250YMF-C)

PKFY-P-VAM-A,VGM-A

SHC:Sensible heat Capacity(kW)

Unit size	Outdoor air temp.	Indoor air temp.:°CDB			
		15.0	20.0	25.0	27.0
		°CWB	SHC	SHC	SHC
20	-15.0	1.7	1.6	1.6	1.6
	-10.0	1.9	1.9	1.9	1.7
	-5.0	2.1	2.1	2.0	1.7
	0.0	2.4	2.4	2.0	1.7
	2.5	2.5	2.5	2.0	1.7
	6.0	2.5	2.5	2.0	1.7
	7.5	2.6	2.5	2.0	1.7
	10.0	2.8	2.5	2.0	1.7
	12.5	3.0	2.5	2.0	1.7
	15.5	3.0	2.5	2.0	1.7
25	-15.0	2.1	2.1	2.1	2.1
	-10.0	2.4	2.4	2.4	2.2
	-5.0	2.7	2.7	2.5	2.2
	0.0	3.1	3.0	2.5	2.2
	2.5	3.2	3.2	2.5	2.2
	6.0	3.2	3.2	2.5	2.2
	7.5	3.4	3.2	2.5	2.2
	10.0	3.6	3.2	2.5	2.2
	12.5	3.8	3.2	2.5	2.2
	15.5	3.9	3.2	2.5	2.2

Unit size	Outdoor air temp.	Indoor air temp.:°CDB			
		15.0	20.0	25.0	27.0
		°CWB	SHC	SHC	SHC
32	-15.0	2.7	2.6	2.6	2.6
	-10.0	3.1	3.0	3.0	2.8
	-5.0	3.4	3.4	3.1	2.8
	0.0	3.8	3.8	3.1	2.8
	2.5	4.0	4.0	3.1	2.8
	6.0	4.0	4.0	3.1	2.8
	7.5	4.2	4.0	3.1	2.8
	10.0	4.5	4.0	3.1	2.8
	12.5	4.8	4.0	3.1	2.8
	15.5	4.8	4.0	3.1	2.8
40	-15.0	3.3	3.3	3.3	3.3
	-10.0	3.8	3.8	3.7	3.5
	-5.0	4.3	4.2	3.9	3.5
	0.0	4.8	4.7	3.9	3.5
	2.5	5.0	5.0	3.9	3.5
	6.0	5.1	5.0	3.9	3.5
	7.5	5.3	5.0	3.9	3.5
	10.0	5.6	5.0	3.9	3.5
	12.5	6.0	5.0	3.9	3.5
	15.5	6.1	5.0	3.9	3.5
50	-15.0	4.2	4.2	4.1	4.1
	-10.0	4.8	4.8	4.7	4.3
	-5.0	5.4	5.3	4.9	4.3
	0.0	6.0	5.9	4.9	4.3
	2.5	6.3	6.2	4.9	4.3
	6.0	6.4	6.3	4.9	4.3
	7.5	6.6	6.3	4.9	4.3
	10.0	7.1	6.3	4.9	4.3
	12.5	7.5	6.3	4.9	4.3
	15.5	7.6	6.3	4.9	4.3

**2-5.Cooling capacity
(In combination with PUHY-(P)315-400-500-600-650-700-750Y(S)MF-B,Y(S)MC)**

CA:Capacity(kcal/h)
SHC:Sensible heat Capacity(kcal/h)

PKFY-P-VAM-A,VGM-A

Unit size	Outdoor air temp.	Indoor air temp.													
		21.5°CDB 15°CWB		23°CDB 16°CWB		25°CDB 18°CWB		27°CDB 19.5°CWB		28°CDB 20°CWB		30°CDB 22°CWB		32°CDB 24°CWB	
		°CDB	CA	SHC	CA	SHC	CA	SHC	CA	SHC	CA	SHC	CA	SHC	CA
20	20.0	1813	1287	1901	1337	2049	1340	2157	1373	2192	1407	2320	1386	2459	1364
	22.5	1813	1287	1894	1334	2031	1331	2131	1361	2164	1395	2290	1374	2424	1351
	25.0	1799	1280	1876	1324	2008	1320	2105	1349	2137	1382	2259	1361	2389	1338
	27.5	1784	1273	1857	1315	1985	1309	2079	1337	2110	1370	2229	1348	2354	1324
	30.0	1770	1265	1839	1306	1962	1298	2052	1325	2083	1358	2198	1336	2319	1311
	32.5	1755	1258	1821	1296	1939	1287	2026	1313	2055	1346	2167	1323	2285	1298
	35.0	1741	1250	1802	1287	1916	1277	2000	1302	2028	1334	2137	1311	2250	1285
	37.5	1726	1243	1784	1278	1893	1266	1974	1290	2001	1322	2106	1298	2215	1272
	40.0	1712	1235	1766	1269	1870	1255	1948	1278	1974	1310	2076	1286	2180	1259
	43.0	1695	1226	1744	1258	1843	1242	1916	1264	1941	1296	2039	1271	2139	1243
25	20.0	2266	1589	2377	1649	2561	1653	2697	1693	2740	1733	2900	1708	3073	1680
	22.5	2266	1589	2367	1645	2539	1642	2664	1677	2705	1718	2862	1691	3030	1663
	25.0	2248	1579	2345	1633	2510	1628	2631	1662	2671	1702	2824	1675	2986	1646
	27.5	2230	1570	2322	1621	2482	1614	2598	1647	2637	1687	2786	1659	2943	1629
	30.0	2212	1560	2299	1609	2453	1600	2566	1632	2603	1671	2748	1643	2899	1612
	32.5	2194	1551	2276	1597	2424	1586	2533	1617	2569	1656	2709	1627	2856	1595
	35.0	2176	1541	2253	1586	2395	1573	2500	1602	2535	1640	2671	1611	2812	1578
	37.5	2158	1532	2230	1574	2367	1559	2467	1587	2501	1625	2633	1595	2769	1562
	40.0	2140	1522	2207	1562	2338	1545	2434	1572	2467	1610	2595	1580	2725	1545
	43.0	2118	1511	2180	1548	2304	1529	2395	1555	2426	1592	2549	1561	2673	1526
32	20.0	2855	2352	2995	2455	3227	2452	3398	2530	3452	2613	3654	2577	3872	2539
	22.5	2855	2352	2983	2450	3199	2440	3357	2513	3409	2596	3606	2559	3817	2520
	25.0	2833	2341	2954	2437	3163	2425	3315	2497	3366	2579	3558	2542	3763	2502
	27.5	2810	2331	2925	2424	3127	2409	3274	2480	3323	2562	3510	2524	3708	2484
	30.0	2787	2320	2896	2411	3091	2394	3233	2464	3280	2545	3462	2507	3653	2465
	32.5	2765	2310	2868	2398	3055	2379	3191	2447	3237	2529	3414	2490	3598	2447
	35.0	2742	2299	2839	2385	3018	2364	3150	2431	3194	2512	3366	2472	3544	2429
	37.5	2719	2289	2810	2372	2982	2349	3109	2415	3151	2495	3318	2455	3489	2411
	40.0	2696	2278	2781	2360	2946	2334	3067	2399	3109	2479	3270	2438	3434	2393
	43.0	2669	2266	2746	2344	2902	2316	3018	2379	3057	2459	3212	2417	3368	2372
40	20.0	3625	2699	3803	2809	4098	2810	4315	2886	4383	2967	4640	2924	4917	2878
	22.5	3625	2699	3788	2802	4063	2793	4262	2864	4329	2943	4579	2900	4848	2853
	25.0	3597	2685	3751	2784	4017	2773	4210	2841	4274	2920	4518	2876	4778	2827
	27.5	3568	2671	3715	2766	3971	2752	4157	2818	4220	2897	4457	2852	4708	2802
	30.0	3539	2656	3678	2749	3925	2731	4105	2796	4165	2874	4396	2828	4639	2777
	32.5	3511	2642	3641	2731	3879	2710	4052	2774	4111	2852	4335	2804	4569	2753
	35.0	3482	2628	3605	2714	3833	2690	4000	2751	4056	2829	4274	2781	4500	2728
	37.5	3453	2614	3568	2696	3787	2669	3948	2729	4002	2806	4213	2757	4430	2703
	40.0	3424	2600	3531	2679	3741	2649	3895	2707	3947	2784	4152	2734	4361	2679
	43.0	3389	2583	3487	2658	3686	2625	3832	2681	3882	2757	4078	2706	4277	2649
50	20.0	4532	3162	4753	3282	5123	3290	5393	3368	5479	3448	5800	3397	6146	3342
	22.5	4532	3162	4735	3273	5078	3268	5328	3337	5411	3416	5724	3364	6059	3307
	25.0	4496	3143	4689	3249	5021	3240	5262	3306	5343	3385	5648	3331	5972	3273
	27.5	4460	3124	4643	3225	4963	3212	5197	3276	5275	3353	5571	3299	5886	3238
	30.0	4424	3105	4597	3201	4906	3184	5131	3245	5207	3322	5495	3266	5799	3204
	32.5	4388	3086	4552	3177	4848	3156	5066	3215	5139	3291	5419	3234	5712	3171
	35.0	4352	3066	4506	3154	4791	3128	5000	3185	5070	3261	5342	3202	5625	3137
	37.5	4316	3047	4460	3130	4734	3100	4934	3155	5002	3230	5266	3170	5538	3103
	40.0	4280	3028	4414	3107	4676	3073	4869	3125	4934	3199	5190	3139	5451	3070
	43.0	4237	3006	4359	3079	4607	3040	4790	3090	4852	3163	5098	3101	5347	3031

PKFY-P-VAM-A/VGM-A

**2-6.Heating capacity
(In combination with PUHY-(P)315-400-500-600-650-700-750Y(S)MF-B,Y(S)MC)**

PKFY-P-VAM-A,VGM-A

SHC:Sensible heat Capacity(kcal/h)

Unit size	Outdoor air temp.	Indoor air temp.:°CDB			
		15	21	25	27
	°CWB	SHC	SHC	SHC	SHC
20	-15.0	1555	1532	1509	1500
	-10.0	1774	1751	1728	1601
	-5.0	1994	1970	1809	1601
	0.0	2213	2190	1809	1601
	2.5	2322	2250	1809	1601
	6.0	2343	2250	1809	1601
	7.5	2441	2250	1809	1601
	10.0	2605	2250	1809	1601
	12.5	2769	2250	1809	1601
	15.5	2807	2250	1809	1601
25	-15.0	1935	1907	1878	1866
	-10.0	2208	2179	2151	1992
	-5.0	2481	2452	2252	1992
	0.0	2754	2725	2252	1992
	2.5	2890	2800	2252	1992
	6.0	2915	2800	2252	1992
	7.5	3038	2800	2252	1992
	10.0	3242	2800	2252	1992
	12.5	3446	2800	2252	1992
	15.5	3493	2800	2252	1992

Unit size	Outdoor air temp.	Indoor air temp.:°CDB			
		15	21	25	27
	°CWB	SHC	SHC	SHC	SHC
32	-15.0	2454	2417	2381	2366
	-10.0	2800	2763	2727	2525
	-5.0	3146	3109	2855	2525
	0.0	3491	3455	2855	2525
	2.5	3664	3550	2855	2525
	6.0	3696	3550	2855	2525
	7.5	3852	3550	2855	2525
	10.0	4111	3550	2855	2525
	12.5	4370	3550	2855	2525
	15.5	4428	3550	2855	2525
40	-15.0	3111	3064	3018	2999
	-10.0	3549	3503	3456	3201
	-5.0	3987	3941	3619	3201
	0.0	4426	4379	3619	3201
	2.5	4645	4500	3619	3201
	6.0	4686	4500	3619	3201
	7.5	4883	4500	3619	3201
	10.0	5211	4500	3619	3201
	12.5	5539	4500	3619	3201
	15.5	5613	4500	3619	3201
50	-15.0	3871	3813	3755	3732
	-10.0	4416	4359	4301	3984
	-5.0	4962	4904	4503	3984
	0.0	5508	5450	4503	3984
	2.5	5780	5600	4503	3984
	6.0	5831	5600	4503	3984
	7.5	6076	5600	4503	3984
	10.0	6484	5600	4503	3984
	12.5	6893	5600	4503	3984
	15.5	6986	5600	4503	3984

2-7.Cooling Capacity (In combination with PQRY-P200-250YMF-B)

PKFY-P-VAM-A,VGM-A

CA:Capacity(kcal/h)

SHC:Sensible heat Capacity(kcal/h)

Unit size	Water temp.	Indoor air temp.													
		21.5°CDB 15°CWB		23°CDB 16°CWB		25°CDB 18°CWB		27°CDB 19.5°CWB		28°CDB 20°CWB		30°CDB 22°CWB		32°CDB 24°CWB	
		CA	SHC	CA	SHC	CA	SHC	CA	SHC	CA	SHC	CA	SHC	CA	SHC
20	10	1914	1341	1980	1378	2105	1367	2200	1392	2229	1424	2354	1401	2486	1375
	20	1844	1304	1908	1341	2029	1330	2120	1356	2148	1387	2268	1365	2396	1340
	30	1740	1250	1800	1286	1914	1275	2000	1302	2026	1333	2140	1312	2260	1288
	40	1514	1135	1566	1171	1665	1161	1740	1188	1763	1220	1862	1201	1966	1181
	45	1427	1093	1476	1128	1569	1119	1640	1146	1661	1178	1755	1160	1853	1141
25	10	2393	1657	2475	1701	2632	1688	2750	1718	2786	1755	2943	1726	3108	1694
	20	2306	1610	2385	1654	2536	1641	2650	1671	2684	1708	2836	1680	2995	1649
	30	2175	1541	2250	1584	2393	1571	2500	1602	2533	1639	2675	1613	2825	1583
	40	1892	1395	1958	1438	2081	1426	2175	1458	2203	1496	2327	1472	2458	1446
	45	1784	1341	1845	1384	1962	1372	2050	1404	2077	1442	2194	1420	2317	1395
32	10	3015	2426	3119	2512	3316	2489	3465	2557	3510	2636	3708	2596	3915	2553
	20	2905	2375	3005	2460	3195	2438	3339	2506	3382	2585	3573	2547	3773	2506
	30	2741	2299	2835	2384	3015	2362	3150	2431	3191	2511	3371	2474	3560	2434
	40	2384	2137	2466	2221	2623	2202	2741	2272	2776	2352	2932	2319	3097	2284
	45	2247	2075	2325	2160	2472	2141	2583	2212	2617	2292	2764	2261	2919	2227
40	10	3828	2801	3960	2886	4211	2861	4400	2923	4457	2998	4708	2951	4972	2898
	20	3689	2731	3816	2815	4058	2791	4240	2854	4295	2929	4537	2883	4791	2832
	30	3480	2627	3600	2711	3828	2688	4000	2751	4052	2827	4280	2783	4520	2735
	40	3028	2409	3132	2492	3330	2470	3480	2536	3525	2612	3724	2573	3932	2530
	45	2854	2327	2952	2410	3139	2389	3280	2455	3323	2532	3510	2495	3706	2454
50	10	4785	3300	4950	3386	5264	3360	5500	3419	5572	3491	5885	3434	6215	3370
	20	4611	3205	4770	3291	5072	3265	5300	3324	5369	3397	5671	3341	5989	3279
	30	4350	3065	4500	3151	4785	3125	5000	3185	5065	3258	5350	3205	5650	3147
	40	3785	2773	3915	2857	4163	2833	4350	2895	4407	2969	4655	2922	4916	2870
	45	3567	2664	3690	2748	3924	2724	4100	2787	4153	2862	4387	2817	4633	2768

2-8.Heating Capacity (In combination with PQRY-P200-250YMF-B)

PKFY-P-VAM-A,VGM-A

SHC:Sensible heat Capacity(kcal/h)

Unit size	Water temp.	Indoor air temp.:°CDB			
		15	21	25	27
		SHC	SHC	SHC	SHC
20	10	1951	1913	1549	1377
	20	2295	2250	1823	1620
	30	2295	2250	1823	1620
	40	2387	2340	1895	1685
	45	2616	2565	2078	1847
25	10	2428	2380	1928	1714
	20	2856	2800	2268	2016
	30	2856	2800	2268	2016
	40	2970	2912	2359	2097
	45	3256	3192	2586	2298

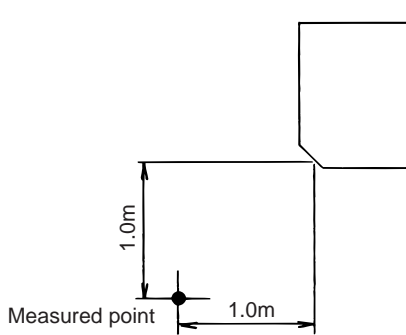
Unit size	Water temp.	Indoor air temp.:°CDB			
		15	21	25	27
		SHC	SHC	SHC	SHC
32	10	3078	3018	2444	2173
	20	3621	3550	2876	2556
	30	3621	3550	2876	2556
	40	3766	3692	2991	2658
	45	4128	4047	3278	2914
40	10	3902	3825	3098	2754
	20	4590	4500	3645	3240
	30	4590	4500	3645	3240
	40	4774	4680	3791	3370
	45	5233	5130	4155	3694
50	10	4855	4760	3856	3427
	20	5712	5600	4536	4032
	30	5712	5600	4536	4032
	40	5940	5824	4717	4193
	45	6512	6384	5171	4596



3. Sound levels

3-1. Noise level

Wall mounted

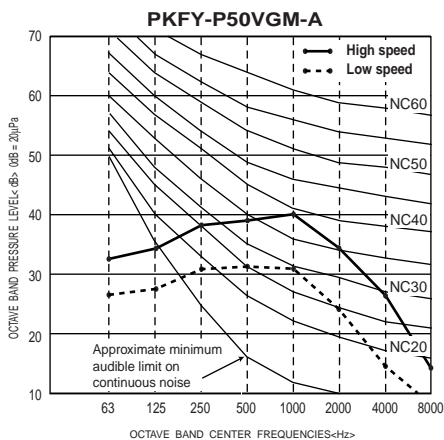
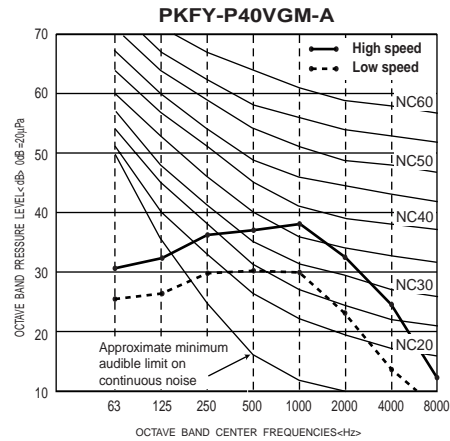
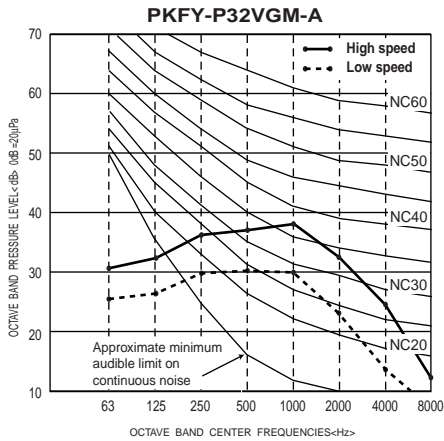
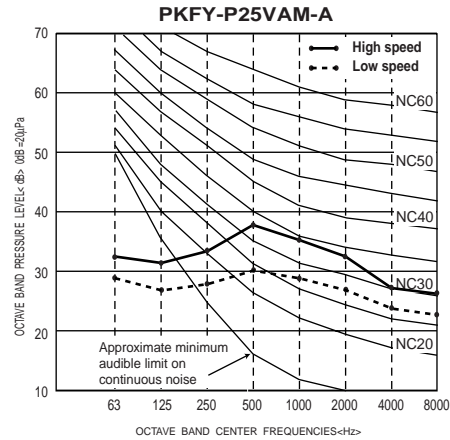
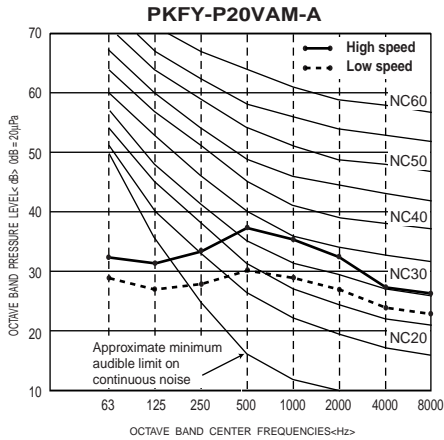


Noise level at anechoic room
(Low-Middle2-Middle1-High)

Unit : dB(A)

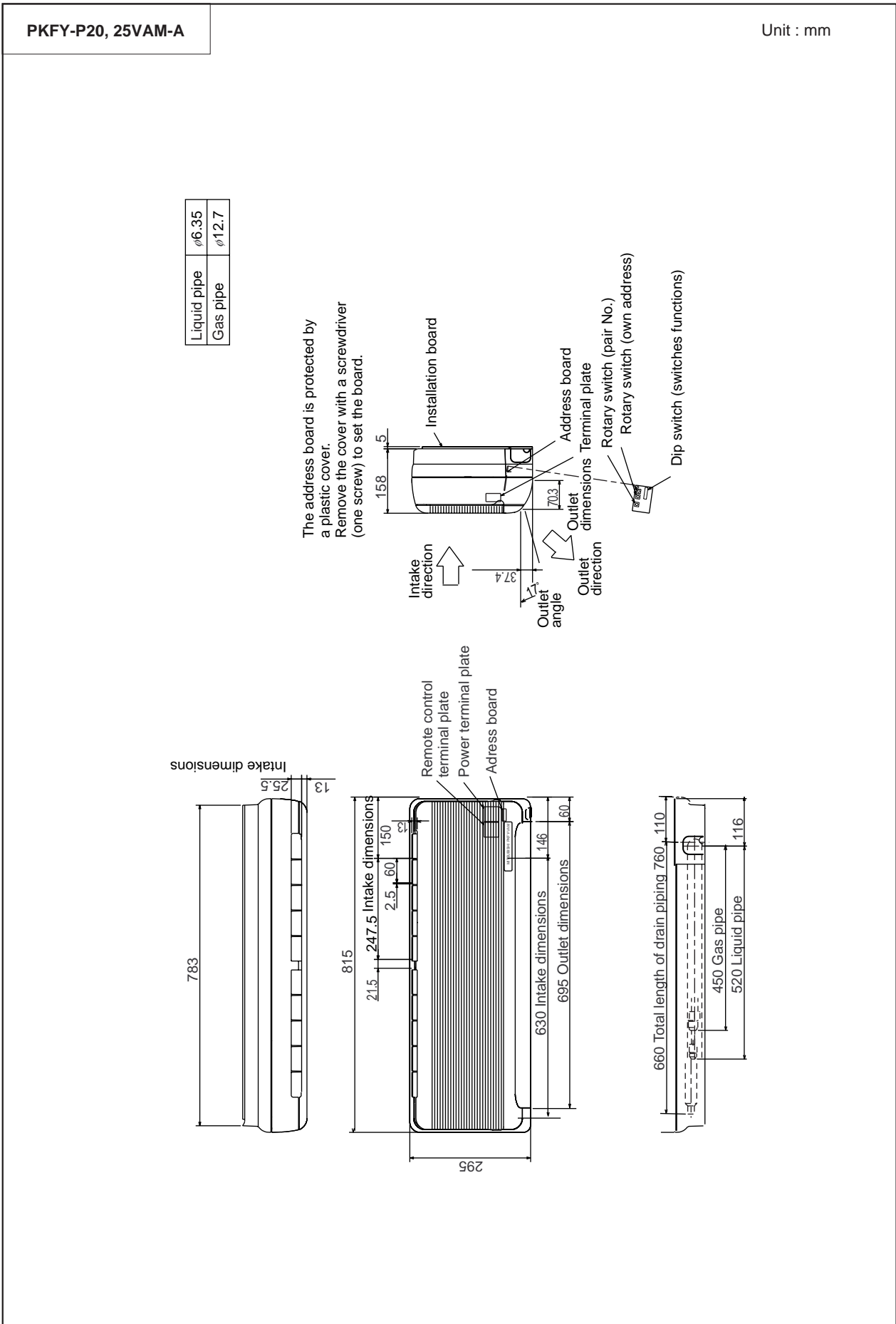
Model	Noise level (A weighted)
PKFY-P20VAM-A PKFY-P25VAM-A	32-33-35-36
PKFY-P32VGM-A PKFY-P40VGM-A	33-36-38-41
PKFY-P50VGM-A	34-37-40-43

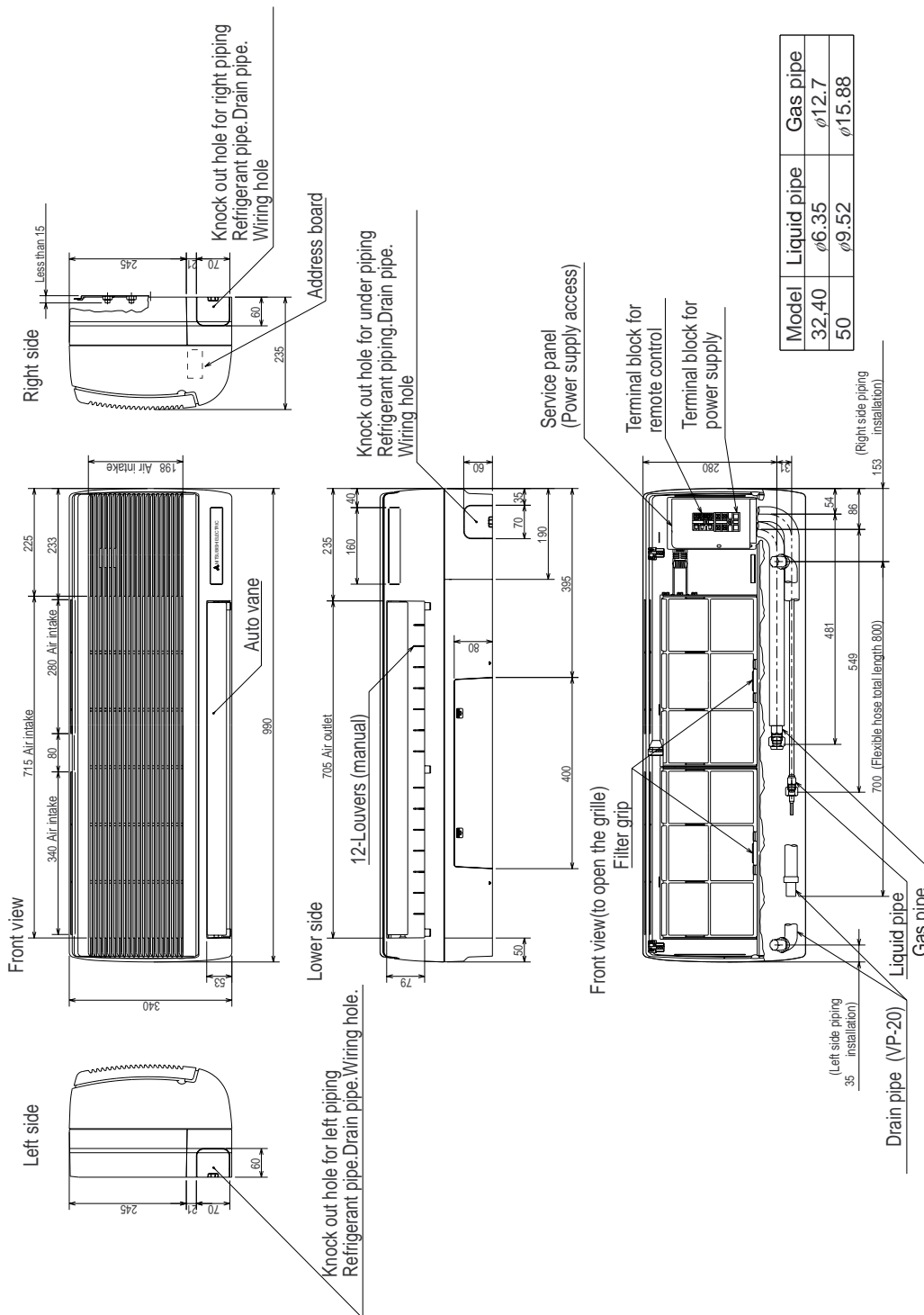
3-2. NC curves



PKFY-P-
VAM-A/VGM-A

4. External Dimensions



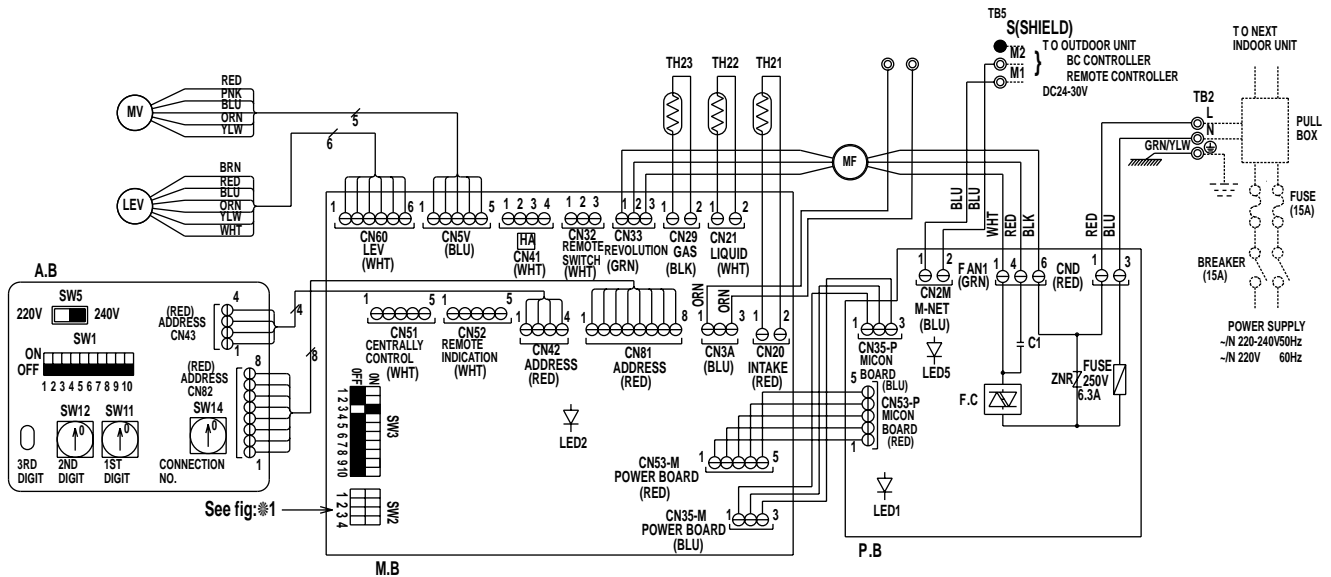


5. Electrical Wiring Diagrams

5-1 PKFY-P-VAM-A

Legend

Symbol	Name	Symbol	Name	Symbol	Name	
M.B	Indoor controller board	TH23	Thermistor Pipe temp. detection/Gas (0°C / 15kΩ, 25°C / 5.4kΩ)	TB2	Terminal block Power supply	
CN32	Connector Remote switch	P.B	Indoor power board	TB15	MA-Remote controller	
CN41		HA terminal - A	ZNR	Varistor	A.B	Circuit board Address
CN51		Centrally control	FUSE	Fuse (6.3A)	SW1 <A.B>	Switch Mode selection Voltage selection Address setting 1st digit Address setting 2nd digit Connection No.
CN52		Remote indication	F.C	Fan phase control	SW5 <A.B>	
SW2	Switch Capacity code	MF	Fan motor	SW11 <A.B>		
SW3	Mode selection	C1	Capacity (fan motor)	SW12 <A.B>		
TH21	Thermistor	MV	Vane motor	SW14 <A.B>		
TH22		Pipe temp. detection/liquid (0°C / 15kΩ, 25°C / 5.4kΩ)	LEV	Linear expansion valve		



Note

- At servicing for outdoor unit, always follow the wiring diagram of outdoor unit.
- In case of using MA-Remote controller, please connect to TB15. (Remote controller wire is non-polar.)
- In case of using M-NET, please connect to the wire. (BLU, two wire) <M1, M2> of CN2M
(Transmission line is non-polar.)
- Symbols used in wiring diagram above are, ⊙ : terminal block, ⊖ : connector, ● : direct wire connection.
- The setting of the SW2 dip switches differs in the capacity for the detail, refer to the fig: *1.
- Please set the switch SW5 according to the power supply voltage.
SW5 to 240V side when the power supply is 230 and 240 volts.
When the power supply is 220 volts, set SW5 to 220V side.

Led on indoor board for service

Mark	Meaning	Function
LED1	Main power supply	Main power supply (indoor unit:220-240V) power on ⇒ lamp is lit
LED2	Power supply for MA-Remote controller	Power supply for MA-Remote controller on → lamp is lit

<* 1>

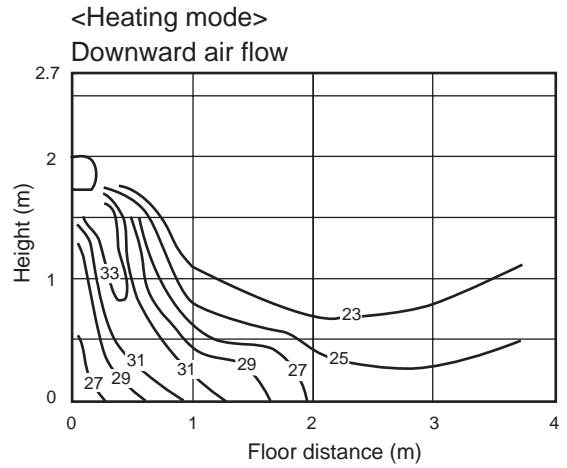
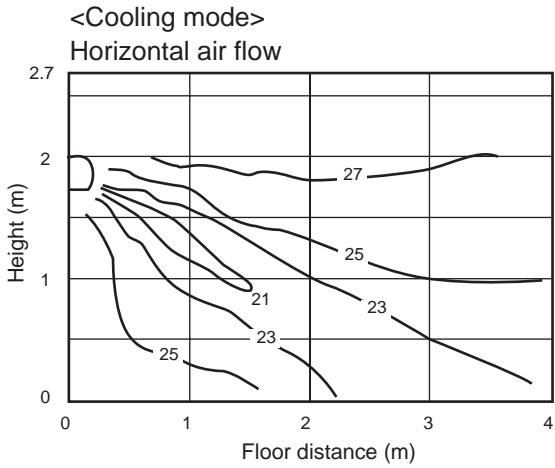
MODELS	SW2	MODELS	SW2
PKFY-P20VAM	ON OFF 1 2 3 4	PKFY-P25VAM	ON OFF 1 2 3 4



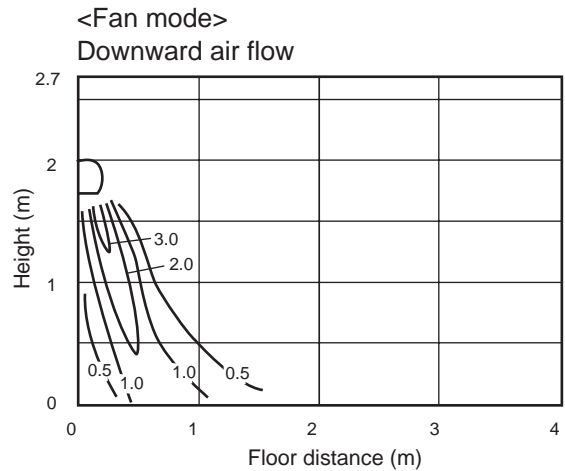
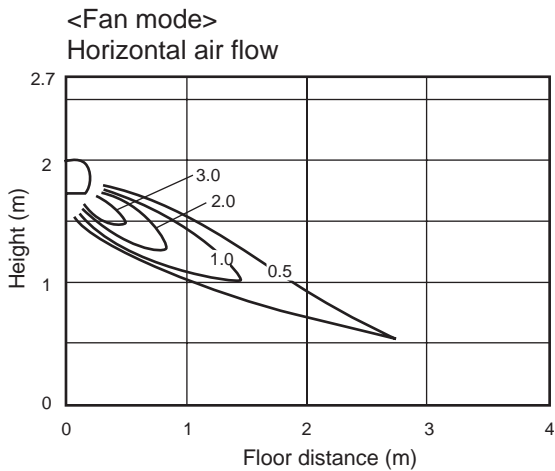
6. Temperature/Airflow distribution

6-1 PKFY-P-VAM-A

● Temperature distribution

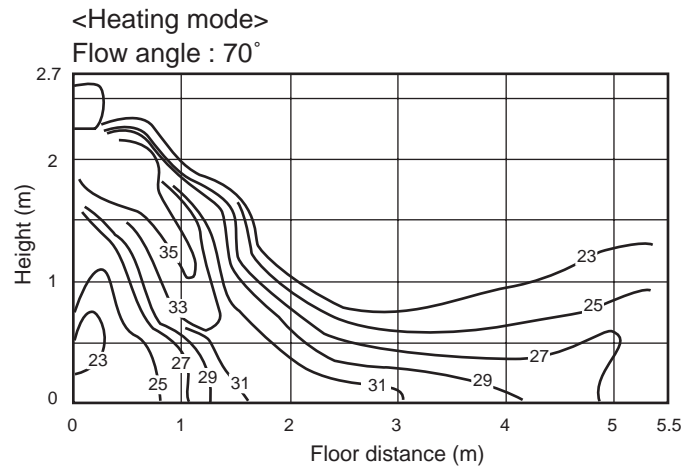
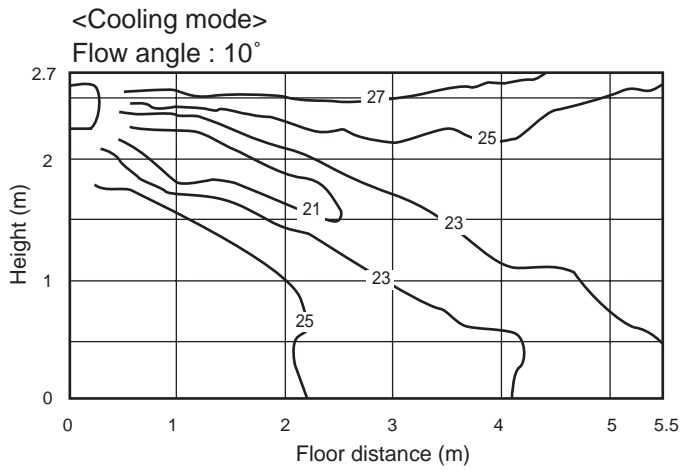


● Airflow distribution



6-2 PKFY-P-VGM-A

● Temperature distribution



● Airflow distribution

