

Air Conditioning

Product Information

PFFY-P-VLRMM-E
Floor Standing Concealed
Indoor Unit

Making a
World of
Difference

CITY MULTI



A compact concealed unit providing simple, effective air conditioning in perimeter zones. The unit is easy to install and at only 220mm deep offers an unobtrusive method of delivering highly efficient air-conditioning performance.

Key Features

- Reduced noise levels
- 3 static pressure settings - 20/40/60Pa ideal for ducting in the perimeter zone
- Concealed unit for hidden installation. The unit can be hidden behind a wardrobe in a hotel, then ducted above and below the wardrobe doors - this offers lower noise, less disruption and a low visual impact



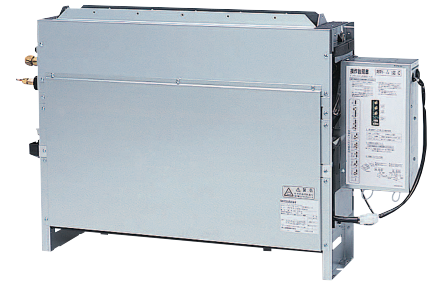
Cooling | Heating | Ventilation | Controls

Air Conditioning

Product Information

PFFY-P-VLRMM-E
Floor Standing Concealed
Indoor Unit

Making a
World of
Difference

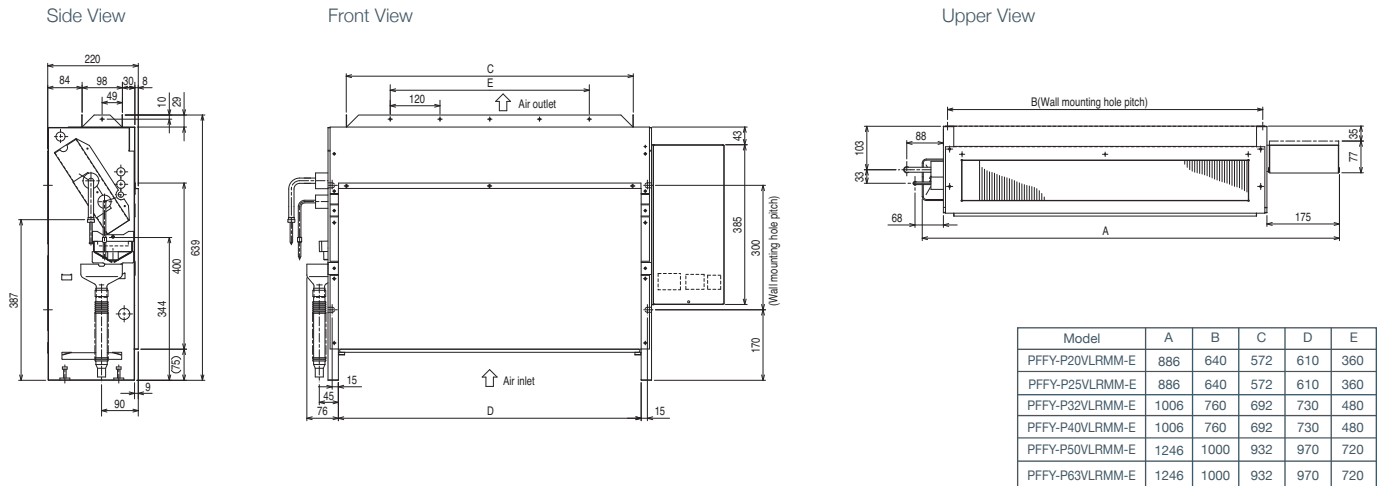


INDOOR UNITS		PFFY-P20VLRMM-E	PFFY-P25VLRMM-E	PFFY-P32VLRMM-E	PFFY-P40VLRMM-E	PFFY-P50VLRMM-E	PFFY-P63VLRMM-E
CAPACITY (kW)	Heating (nominal)	2.5	3.2	4.0	5.0	6.3	8.0
	Cooling (nominal)	2.2	2.8	3.6	4.5	5.6	7.1
	UK Heating	2.5	3.2	4.0	5.0	6.3	8.0
	UK Total Cooling - Hi (Sensible)	2.00 (1.60)	2.50 (1.90)	3.20 (2.40)	4.10 (3.00)	5.00 (3.80)	6.40 (4.70)
	UK Total Cooling - Mi2	-	-	-	-	-	-
POWER INPUT (kW)	Heating (nominal)	0.04	0.04	0.04	0.05	0.05	0.07
	Cooling (nominal)	0.04	0.04	0.04	0.05	0.05	0.07
	AIRFLOW (l/s) Lo-Mi-Hi	75-92-108	75-92-108	108-125-150	133-158-183	167-200-233	183-217-258
EXTERNAL STATIC PRESSURE (Pa)	20-40-60	20-40-60	20-40-60	20-40-60	20-40-60	20-40-60	
SOUND PRESSURE LEVEL (dBA)** (20Pa) Lo-Mi-Hi	31-36-40	31-36-40	27-32-37	30-36-40	32-37-41	35-40-44	
WEIGHT (kg)	18.5	18.5	20	21	25	27	
DIMENSIONS (mm)	Width	886	886	1006	1006	1246	1246
	Depth	220	220	220	220	220	220
	Height	639	639	639	639	639	639
ELECTRICAL SUPPLY	220-240v, 50Hz	220-240v, 50Hz	220-240v, 50Hz	220-240v, 50Hz	220-240v, 50Hz	220-240v, 50Hz	
PHASE	Single	Single	Single	Single	Single	Single	
RUNNING CURRENT (A) Heating / Cooling	0.34 / 0.34	0.34 / 0.34	0.38 / 0.38	0.43 / 0.43	0.48 / 0.48	0.59 / 0.59	
FUSE RATING (BS88) - HRC (A)	6	6	6	6	6	6	
MAINS CABLE No. Cores	3	3	3	3	3	3	

Note: **1 Additional sound data is available for this model. Separated inlet and breakout sound power level and discharge sound power level data is available on request.

PRODUCT DIMENSIONS

PFFY-P20/25/32/40/50/63VLRMM-E



Telephone: 01707 282880
email: air.conditioning@meuk.mee.com
web: airconditioning.mitsubishielectric.co.uk

UNITED KINGDOM Mitsubishi Electric Europe Living Environment Systems Division
Travellers Lane, Hatfield, Hertfordshire, AL10 8XB, England General Enquiries Telephone: 01707 282880 Fax: 01707 278881

IRELAND Mitsubishi Electric Europe Westgate Business Park, Ballymount, Dublin 24, Ireland
Telephone: Dublin (01) 419 8800 Fax: Dublin (01) 419 8890 International code: (003531)

Country of origin: United Kingdom – Japan – Thailand – Malaysia. ©Mitsubishi Electric Europe 2017. Mitsubishi and Mitsubishi Electric are trademarks of Mitsubishi Electric Europe B.V. The company reserves the right to make any variation in technical specification to the equipment described, or to withdraw or replace products without prior notification or public announcement. Mitsubishi Electric is constantly developing and improving its products. All descriptions, illustrations, drawings and specifications in this publication present only general particulars and shall not form part of any contract. All goods are supplied subject to the Company's General Conditions of Sale, a copy of which is available on request. Third-party product and brand names may be trademarks or registered trademarks of their respective owners.

Note: The fuse rating is for guidance only. Please refer to the relevant databook for detailed specification. It is the responsibility of a qualified electrician/electrical engineer to select the correct cable size and fuse rating based on current regulation and site specific conditions. Mitsubishi Electric's air conditioning equipment and heat pump systems contain a fluorinated greenhouse gas, R410A (GWP:2088), R32 (GWP:675), R407C (GWP:1774) or R134a (GWP:1430). *These GWP values are based on Regulation (EU) No 517/2014 from IPCC 4th edition. In case of Regulation (EU) No.626/2011 from IPCC 3rd edition, these are as follows: R410A (GWP:1975), R32 (GWP: 550), R407C (GWP:1650) or R134a (GWP:1300).



www.greengateway.mitsubishielectric.co.uk
Mitsubishi Electric UK's commitment
to the environment

Follow us @meuk_Jes
Follow us @green_gateway

Mitsubishi Electric
Living Environmental Systems UK

mitsubishielectric2

thehub.mitsubishielectric.co.uk

Effective as of September 2017