

SERVICE PARTS LIST FOR MITSUBISHI ELECTRIC PACKAGED AIR-CONDITIONERS

Series : PFFY-P·VLEM-E
PFFY-P·VLRM-E

REVISED

July 2006

BWE0405B

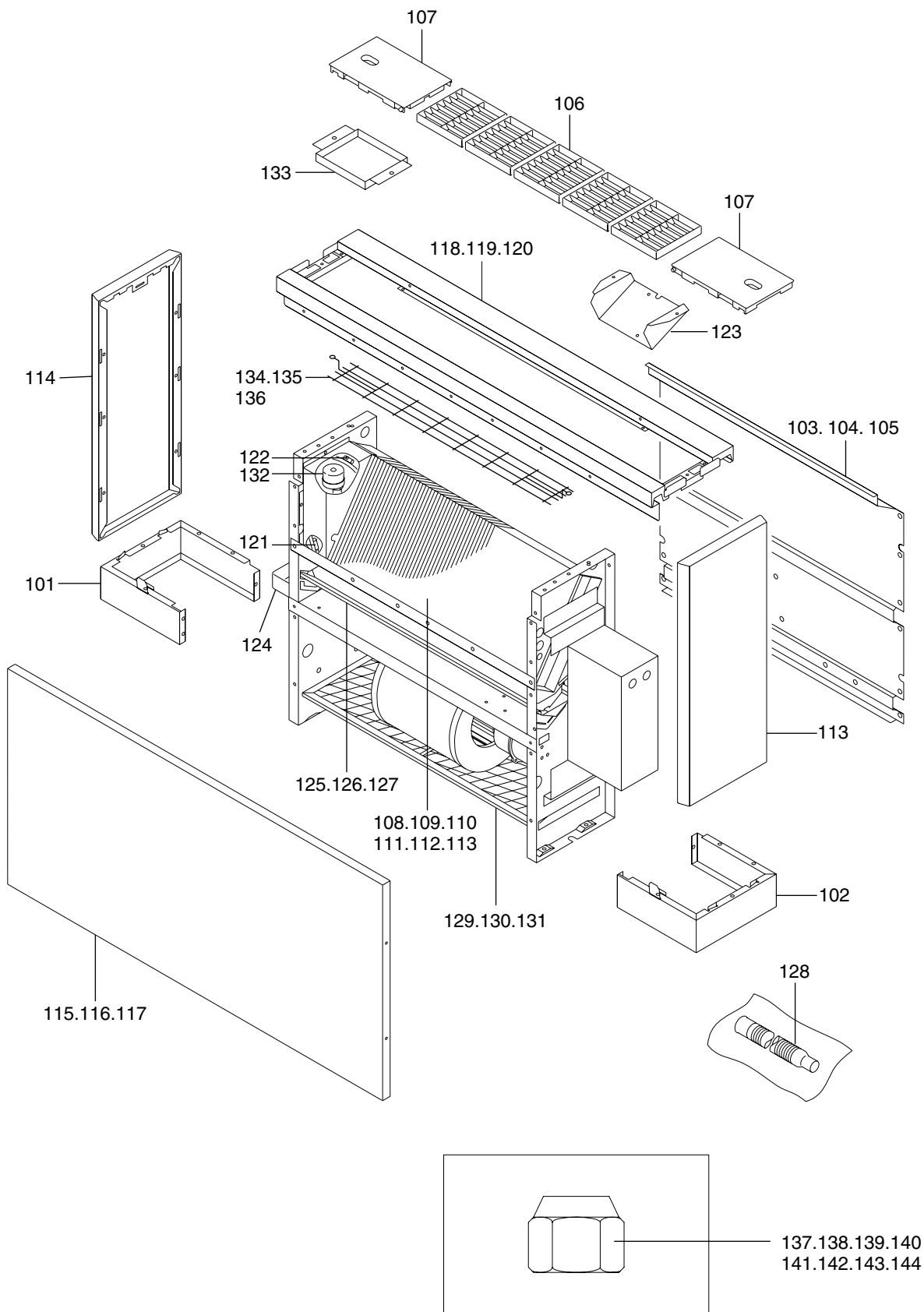
INDEX

PFFY-P20VLEM-E
PFFY-P25VLEM-E
PFFY-P32VLEM-E
PFFY-P40VLEM-E
PFFY-P50VLEM-E
PFFY-P63VLEM-E
PFFY-P20VLRM-E
PFFY-P25VLRM-E
PFFY-P32VLRM-E
PFFY-P40VLRM-E
PFFY-P50VLRM-E
PFFY-P63VLRM-E



PFFY-P20,P25,P32VLEM-E
PFFY-P40,P50,P63VLEM-E

EXTERNAL PARTS (1)

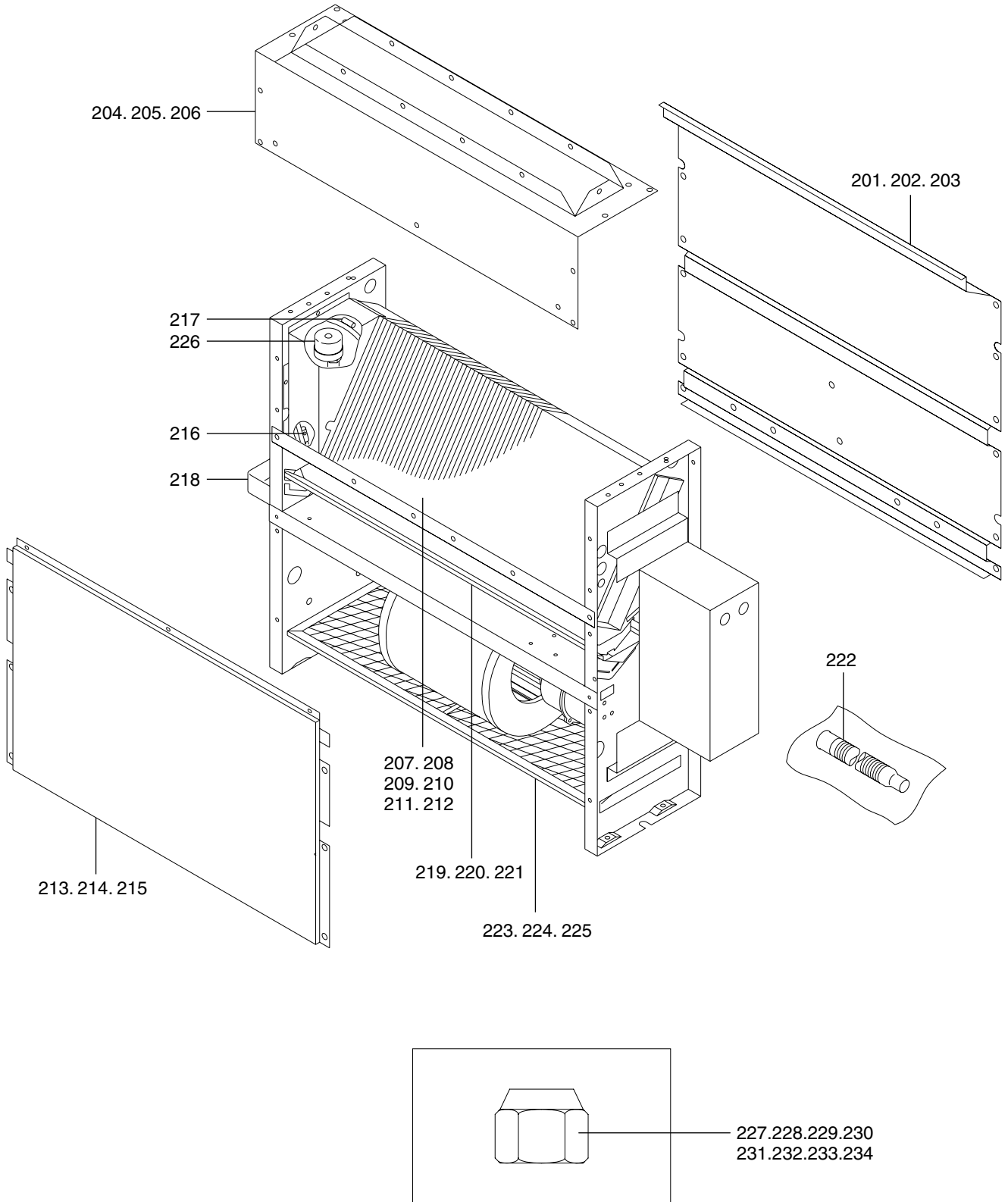


No.	Part No.	RoHS Compliant : G		Spec.	PFFY-P20VLEM-E	PFFY-P25VLEM-E	PFFY-P32VLEM-E	PFFY-P40VLEM-E	Dwg. No.	Price	Revision History
			Part Name								
101	R63 370 001	G	Decorative plate assy		1	1	1	1	W242240H03		
102	R63 371 001	G	Decorative plate assy		1	1	1	1	W242240H04		
103	R63 722 035	G	Rear panel		1	1			W235706H24		
104	R63 723 035	G	Rear panel				1	1	W235706H25		
105	R63 724 035	G	Rear panel						W235706H26		
106	R40 025 501	G	Outlet grill		5	5	6	6	W235590H01		
107	R63 025 079	G	Control lid assy		2	2	2	2	W356687G03		
108	R63 Y77 481	G	Heat exchanger assy		1				W264350G40		
109	R63 2E8 480	G	Heat exchanger assy			1			W264350G41		B
110	R63 2E9 480	G	Heat exchanger assy				1		W264350G42		B
111	R63 3E0 480	G	Heat exchanger assy					1	W264350G43		
112	R63 3E1 480	G	Heat exchanger assy						W264350G44		B
113	R63 3E2 480	G	Heat exchanger assy						W264350G45		B
114	R63 L43 111	G	Casing S		2	2	2	2	W269686G01		B
115	R63 Y18 111	G	Casing assy F		1	1			W390777G10		
116	R63 Y19 111	G	Casing assy F				1	1	W390777G11		
117	R63 Y20 111	G	Casing assy F						W390777G12		
118	R63 Y21 111	G	Casing assy U		1	1			W248559G13		
119	R63 Y22 111	G	Casing assy U				1	1	W248559G14		
120	R63 Y23 111	G	Casing assy U						W248559G15		
121	R63 367 202	G	Thermistor (gas)	<TH23>	1	1	1	1	P425453X01		
122	R63 367 203	G	Thermistor (liquid)	<TH22>	1	1	1	1	P425454X01		
123	R63 Y09 049	G	Switch panel assy		1	1	1	1	W615607G07		
124	R40 025 051	G	Drain pan 2		1	1	1	1	W356666H01		
125	R63 Y16 529	G	Drain pan assy 1		1	1			W356664G24		
126	R63 Y17 529	G	Drain pan assy 1				1	1	W356664G25		
127	R63 Y18 529	G	Drain pan assy 1						W356664G26		
128	R40 025 049	G	Drain hose		1	1	1	1	W356677H01		
129	R63 2E8 500	G	Filter		1	1			W275191G03		
130	R63 2E9 500	G	Filter				1	1	W275191G04		
131	R63 3E1 500	G	Filter						W275191G05		
132	R63 S32 401	G	Linear expansion valve	<LEV> EDM4 SM	1	1	1	1	P632408X01		
133	R63 Y10 049	G	Switch panel		1	1	1	1	W657853H02		B
134	R63 Y01 611	G	Fin guard		1	1			W622564G04		
135	R63 Y02 611	G	Fin guard				1	1	W622564G05		
136	R63 Y03 611	G	Fin guard						W622564G06		
137	R63 S32 122	G	Flare nut	<R22,R407C>	1	1	1	1	W843438H01		
138	R63 M04 134	G	Flare nut	<R22,R407C,R410A>	1	1	1	1	W457611H01		
139	R63 S35 122	G	Flare nut	<R22,R407C>					W843439H01		
140	R63 S36 122	G	Flare nut	<R22,R407C>					W843440H01		
141	R63 S34 122	G	Flare nut	<R410A>	1	1	1	1	W905525H01		
142	R63 S35 134	G	Flare nut	<R410A>					W905521H01		
143	R63 S37 134	G	Flare nut	<R410A>					W905520H01		
144	R63 S36 134	G	Flare nut	<R410A>					W905524H01		

No.	Part No.	RoHS Compliant : G		Spec.	PFFY-P50VLEM-E	PFFY-P63VLEM-E		Dwg. No.	Price	Revision History
			Part Name							
101	R63 370 001	G	Decorative plate assy		1	1		W242240H03		
102	R63 371 001	G	Decorative plate assy		1	1		W242240H04		
103	R63 722 035	G	Rear panel					W235706H24		
104	R63 723 035	G	Rear panel					W235706H25		
105	R63 724 035	G	Rear panel		1	1		W235706H26		
106	R40 025 501	G	Outlet grill		8	8		W235590H01		
107	R63 025 079	G	Control lid assy		2	2		W356687G03		
108	R63 Y77 481	G	Heat exchanger assy					W264350G40		
109	R63 2E8 480	G	Heat exchanger assy					W264350G41		B
110	R63 2E9 480	G	Heat exchanger assy					W264350G42		B
111	R63 3E0 480	G	Heat exchanger assy					W264350G43		
112	R63 3E1 480	G	Heat exchanger assy		1			W264350G44		B
113	R63 3E2 480	G	Heat exchanger assy			1		W264350G45		B
114	R63 L43 111	G	Casing S		2	2		W269686G01		B
115	R63 Y18 111	G	Casing assy F					W390777G10		
116	R63 Y19 111	G	Casing assy F					W390777G11		
117	R63 Y20 111	G	Casing assy F		1	1		W390777G12		
118	R63 Y21 111	G	Casing assy U					W248559G13		
119	R63 Y22 111	G	Casing assy U					W248559G14		
120	R63 Y23 111	G	Casing assy U		1	1		W248559G15		
121	R63 367 202	G	Thermistor (gas)	<TH23>	1	1		P425453X01		
122	R63 367 203	G	Thermistor (liquid)	<TH22>	1	1		P425454X01		
123	R63 Y09 049	G	Switch panel assy		1	1		W615607G07		
124	R40 025 051	G	Drain pan 2		1	1		W356666H01		
125	R63 Y16 529	G	Drain pan assy 1					W356664G24		
126	R63 Y17 529	G	Drain pan assy 1					W356664G25		
127	R63 Y18 529	G	Drain pan assy 1		1	1		W356664G26		
128	R40 025 049	G	Drain hose		1	1		W356677H01		
129	R63 2E8 500	G	Filter					W275191G03		
130	R63 2E9 500	G	Filter					W275191G04		
131	R63 3E1 500	G	Filter		1	1		W275191G05		
132	R63 S32 401	G	Linear expansion valve	<LEV> EDM4 SM	1	1		P632408X01		
133	R63 Y10 049	G	Switch panel		1	1		W657853H02		B
134	R63 Y01 611	G	Fin guard					W622564G04		
135	R63 Y02 611	G	Fin guard					W622564G05		
136	R63 Y03 611	G	Fin guard		1	1		W622564G06		
137	R63 S32 122	G	Flare nut	<R22,R407C>				W843438H01		
138	R63 M04 134	G	Flare nut	<R22,R407C,R410A>				W457611H01		
139	R63 S35 122	G	Flare nut	<R22,R407C>	1	1		W843439H01		
140	R63 S36 122	G	Flare nut	<R22,R407C>	1	1		W843440H01		
141	R63 S34 122	G	Flare nut	<R410A>				W905525H01		
142	R63 S35 134	G	Flare nut	<R410A>	1			W905521H01		
143	R63 S37 134	G	Flare nut	<R410A>	1			W905520H01		
144	R63 S36 134	G	Flare nut	<R410A>		1		W905524H01		

PFFY-P20,P25,P32VLRM-E
PFFY-P40,P50,P63VLRM-E

EXTERNAL PARTS (2)

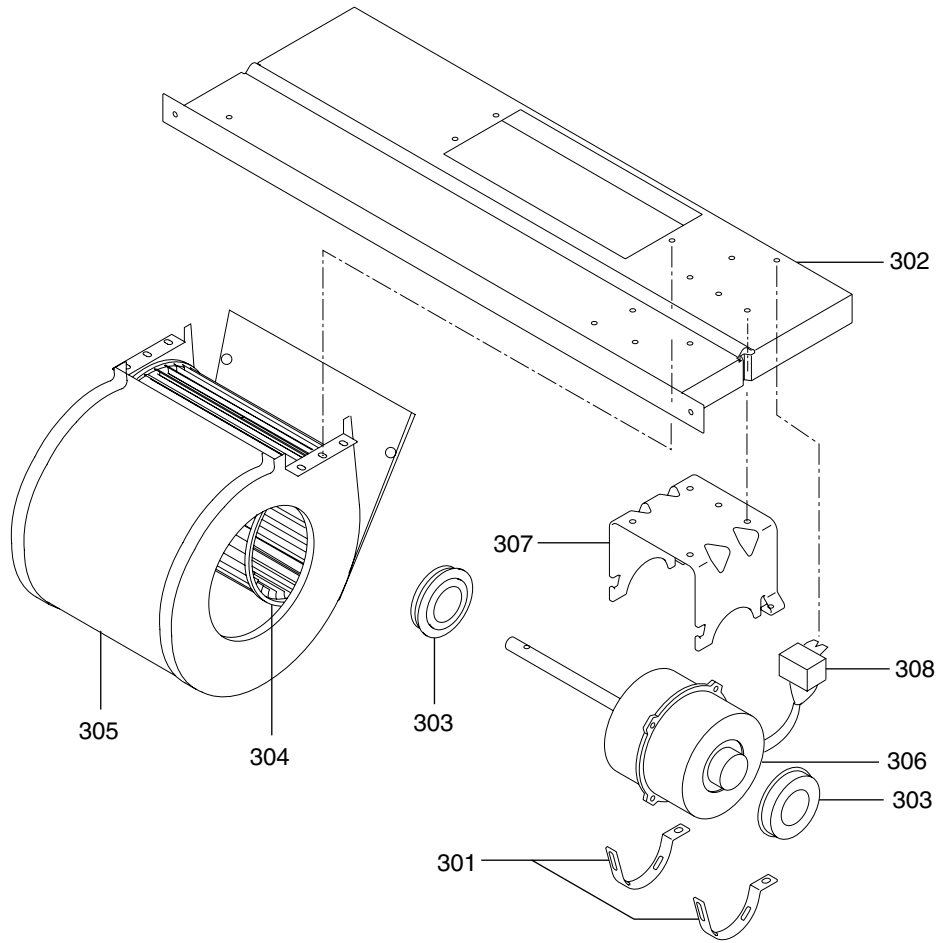


No.	Part No.	RoHS Compliant : G		Spec.	PFFY-P20VLRM-E	PFFY-P25VLRM-E	PFFY-P32VLRM-E	PFFY-P40VLRM-E	Dwg. No.	Price	Revision History
		Part Name									
201	R63 722 035	G	Rear panel		1	1			W235706H24		
202	R63 723 035	G	Rear panel				1	1	W235706H25		
203	R63 724 035	G	Rear panel						W235706H26		
204	R63 Y01 071	G	Outlet grill		1	1			W358804G08		
205	R63 Y02 071	G	Outlet grill				1	1	W358804G09		
206	R63 Y03 071	G	Outlet grill						W358804G10		
207	R63 Y77 481	G	Heat exchanger assy		1				W264350G40		
208	R63 2E8 480	G	Heat exchanger assy			1			W264350G41		B
209	R63 2E9 480	G	Heat exchanger assy				1		W264350G42		B
210	R63 3E0 480	G	Heat exchanger assy					1	W264350G43		
211	R63 3E1 480	G	Heat exchanger assy						W264350G44		B
212	R63 3E2 480	G	Heat exchanger assy						W264350G45		B
213	R63 Y07 111	G	Casing assy FD		1	1			W358806G08		
214	R63 Y08 111	G	Casing assy FD				1	1	W358806G09		
215	R63 Y09 111	G	Casing assy FD						W358806G10		
216	R63 367 202	G	Thermistor (gas)	<TH23>	1	1	1	1	P425453X01		
217	R63 367 203	G	Thermistor (liquid)	<TH22>	1	1	1	1	P425454X01		
218	R40 025 051	G	Drain pan 2		1	1	1	1	W356666H01		
219	R63 Y16 529	G	Drain pan assy 1		1	1			W356664G24		
220	R63 Y17 529	G	Drain pan assy 1				1	1	W356664G25		
221	R63 Y18 529	G	Drain pan assy 1						W356664G26		
222	R40 025 049	G	Drain hose		1	1	1	1	W356677H01		
223	R63 2E8 500	G	Filter		1	1			W275191G03		
224	R63 2E9 500	G	Filter				1	1	W275191G04		
225	R63 3E1 500	G	Filter						W275191G05		
226	R63 S32 401	G	Linear expansion valve	<LEV>EDM4 SM	1	1	1	1	P632408X01		
227	R63 S32 122	G	Flare nut	<R22,R407C>	1	1	1	1	W843438H01		
228	R63 M04 134	G	Flare nut	<R22,R407C,R410A>	1	1	1	1	W457611H01		
229	R63 S35 122	G	Flare nut	<R22,R407C>					W843439H01		
230	R63 S36 122	G	Flare nut	<R22,R407C>					W843440H01		
231	R63 S34 122	G	Flare nut	<R410A>	1	1	1	1	W905525H01		
232	R63 S35 134	G	Flare nut	<R410A>					W905521H01		
233	R63 S37 134	G	Flare nut	<R410A>					W905520H01		
234	R63 S36 134	G	Flare nut	<R410A>					W905524H01		

No.	Part No.	RoHS Compliant : G		Spec.	PFFY-P50VLRM-E	PFFY-P63VLRM-E		Dwg. No.	Price	Revision History
			Part Name							
201	R63 722 035	G	Rear panel					W235706H24		
202	R63 723 035	G	Rear panel					W235706H25		
203	R63 724 035	G	Rear panel		1	1		W235706H26		
204	R63 Y01 071	G	Outlet grill					W358804G08		
205	R63 Y02 071	G	Outlet grill					W358804G09		
206	R63 Y03 071	G	Outlet grill		1	1		W358804G10		
207	R63 Y77 481	G	Heat exchanger assy					W264350G40		
208	R63 2E8 480	G	Heat exchanger assy					W264350G41		B
209	R63 2E9 480	G	Heat exchanger assy					W264350G42		B
210	R63 3E0 480	G	Heat exchanger assy					W264350G43		
211	R63 3E1 480	G	Heat exchanger assy		1			W264350G44		B
212	R63 3E2 480	G	Heat exchanger assy			1		W264350G45		B
213	R63 Y07 111	G	Casing assy FD					W358806G08		
214	R63 Y08 111	G	Casing assy FD					W358806G09		
215	R63 Y09 111	G	Casing assy FD		1	1		W358806G10		
216	R63 367 202	G	Thermistor (gas)	<TH23>	1	1		P425453X01		
217	R63 367 203	G	Thermistor (liquid)	<TH22>	1	1		P425454X01		
218	R40 025 051	G	Drain pan 2		1	1		W356666H01		
219	R63 Y16 529	G	Drain pan assy 1					W356664G24		
220	R63 Y17 529	G	Drain pan assy 1					W356664G25		
221	R63 Y18 529	G	Drain pan assy 1		1	1		W356664G26		
222	R40 025 049	G	Drain hose		1	1		W356677H01		
223	R63 2E8 500	G	Filter					W275191G03		
224	R63 2E9 500	G	Filter					W275191G04		
225	R63 3E1 500	G	Filter		1	1		W275191G05		
226	R63 S32 401	G	Linear expansion valve	<LEV>EDM4 SM	1	1		P632408X01		
227	R63 S32 122	G	Flare nut	<R22,R407C>				W843438H01		
228	R63 M04 134	G	Flare nut	<R22,R407C,R410A>				W457611H01		
229	R63 S35 122	G	Flare nut	<R22,R407C>	1	1		W843439H01		
230	R63 S36 122	G	Flare nut	<R22,R407C>	1	1		W843440H01		
231	R63 S34 122	G	Flare nut	<R410A>				W905525H01		
232	R63 S35 134	G	Flare nut	<R410A>	1			W905521H01		
233	R63 S37 134	G	Flare nut	<R410A>	1			W905520H01		
234	R63 S36 134	G	Flare nut	<R410A>		1		W905524H01		

PFFY-P20,P25VLEM-E
PFFY-P20,P25VLRM-E

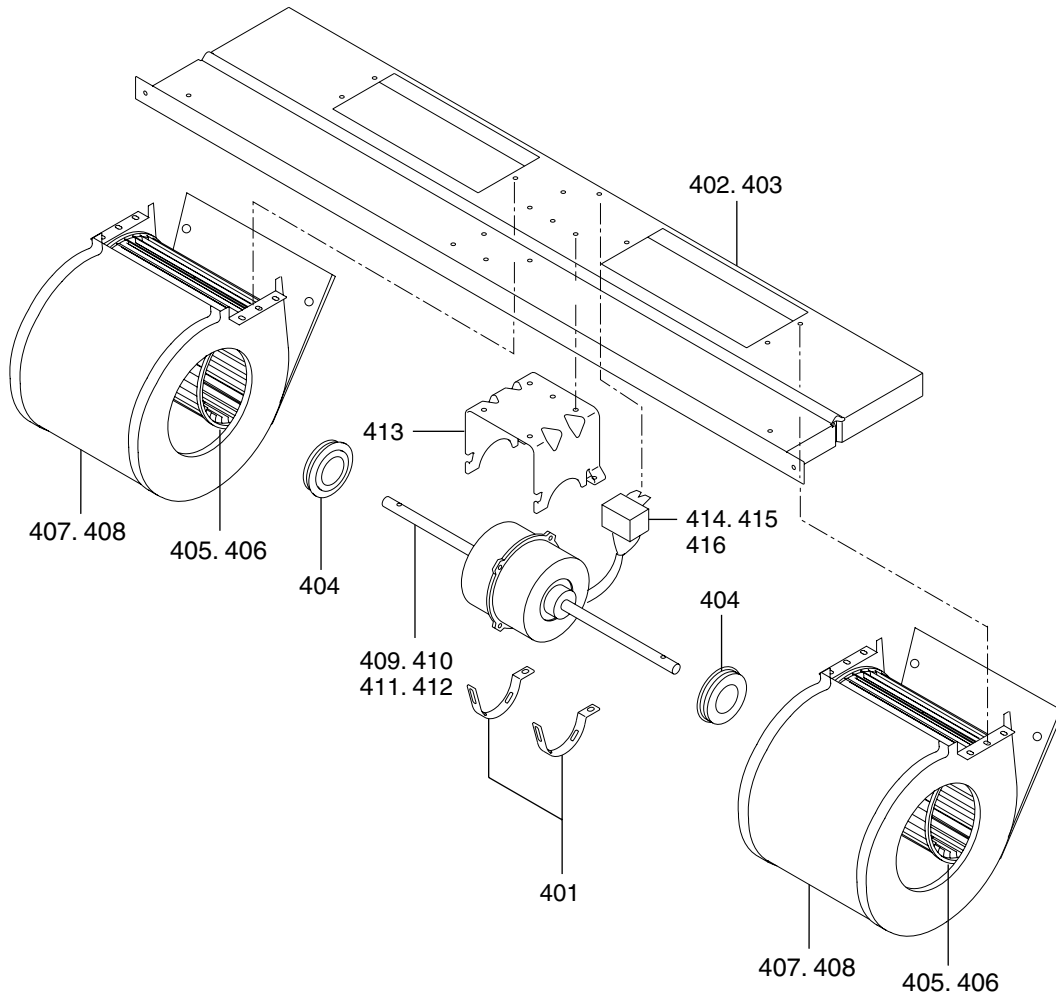
BLOWER PARTS (1)



No.	Part No.	RoHS Compliant : G		Spec.	PFFY-P20VLEM-E	PFFY-P25VLEM-E	PFFY-P20VLRM-E	PFFY-P25VLRM-E	Dwg. No.	Price	Revision History
		Part Name									
301	R63 652 131	G	Fixing plate		2	2	2	2	W353715H01		
302	R63 Y01 140	G	Fan stand		1	1	1	1	W618676G02		
303	R63 766 104	G	Rubber bush		2	2	2	2	W491760H02		
304	R63 045 103	G	Sirocco fan assy		1	1	1	1	W234904G01		
305	R63 839 675	G	Fan cover		1	1	1	1	W234951G01		
306	R63 Y92 220	G	Motor (15W,4P)	<MF>15W,1Phase,220V	1	1	1	1	P714581X01		
307	R63 370 130	G	Motor support		1	1	1	1	W234925H06		
308	R63 Y14 252	G	Capacitor (1.5μF)		1	1	1	1	P412234X01		

PFFY-P32,P40,P50,P63VLEM-E
PFFY-P32,P40,P50,P63VLRM-E

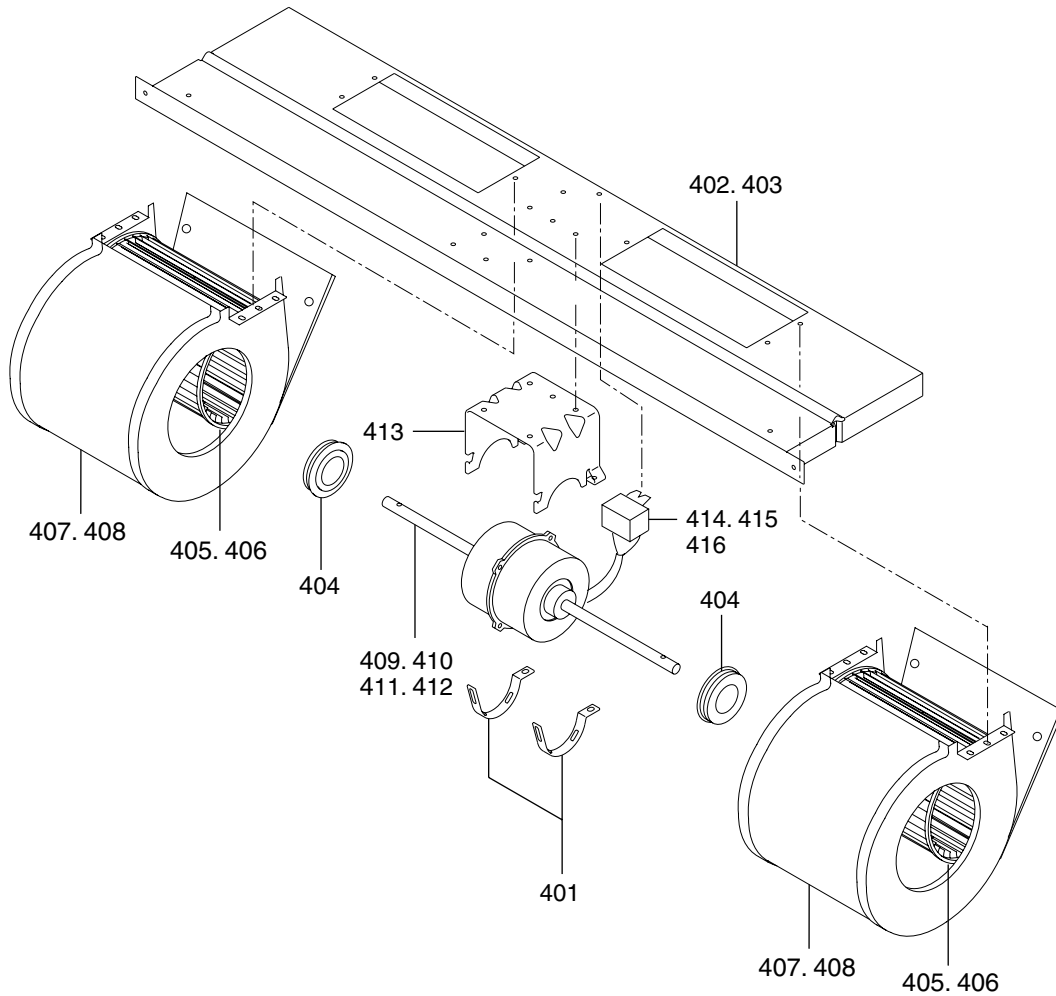
BLOWER PARTS (2)



No.	Part No.	RoHS Compliant : G		Spec.	PFFY-P32/VLEM-E	PFFY-P40/VLEM-E	PFFY-P50/VLEM-E	PFFY-P63/VLEM-E	Dwg. No.	Price	Revision History
		Part Name									
401	R63 652 131	G	Fixing plate		2	2	2	2	W353715H01		
402	R63 Y02 140	G	Fan stand		1	1			W258828G03		
403	R63 Y03 140	G	Fan stand				1	1	W258828G04		
404	R63 766 104	G	Rubber bush		2	2	2	2	W491760H02		
405	R63 025 101	G	Sirocco fan assy		2	2			W234945G03		
406	R63 045 103	G	Sirocco fan assy				2	2	W234904G01		
407	R63 840 675	G	Fan cover		2	2			W234951G02		
408	R63 839 675	G	Fan cover				2	2	W234951G01		
409	R63 Y93 220	G	Motor (18W,4P)	<MF>18W,1Phase,220V	1				P714582X01		
410	R63 Y94 220	G	Motor (30W,4P)	<MF>30W,1Phase,220V		1			P714583X01		
411	R63 Y96 220	G	Motor (35W,4P)	<MF>35W,1Phase,220V			1		P714631X01		
412	R63 Y95 220	G	Motor (50W,4P)	<MF>50W,1Phase,220V				1	P714584X01		
413	R63 370 130	G	Motor support		1	1	1		W234925H06		
414	R63 Y14 252	G	Capacitor (1.5μF)	<C>	1	1			P412234X01		
415	R63 Y15 252	G	Capacitor (2.0μF)	<C>			1		P412235X01		
416	R63 F78 252	G	Capacitor (2.5μF)	<C>				1	P412213X01		

PFFY-P32,P40,P50,P63VLEM-E
PFFY-P32,P40,P50,P63VLRM-E

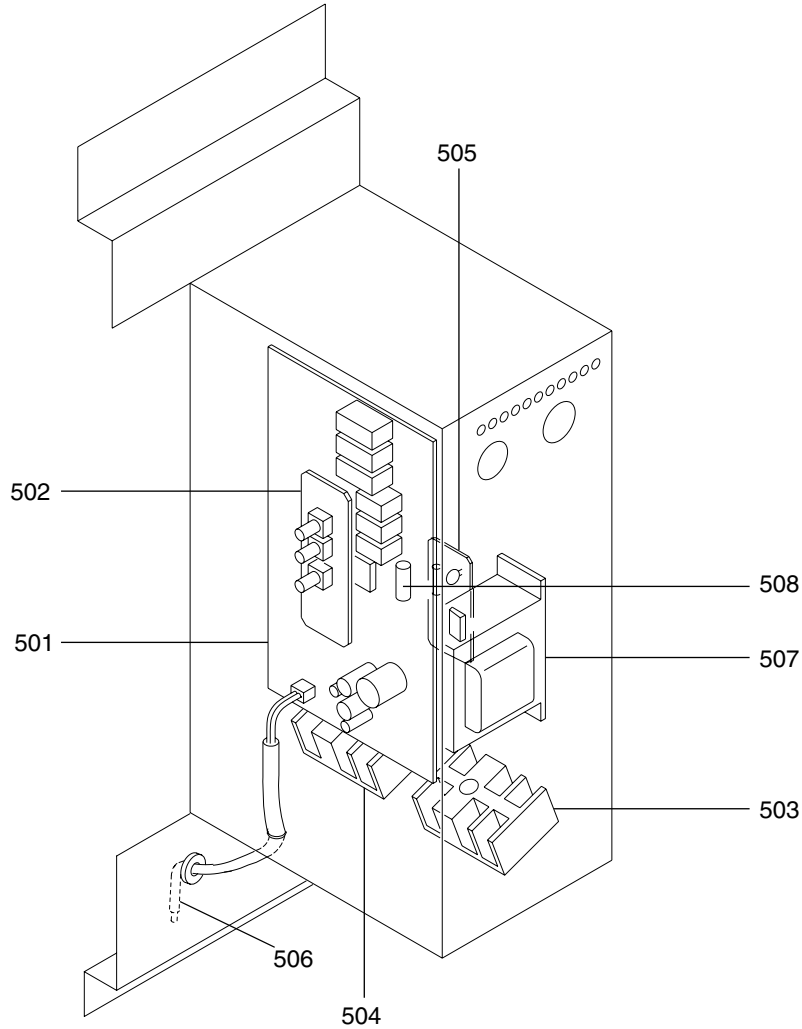
BLOWER PARTS (2)



No.	Part No.	RoHS Compliant : G		Spec.	PFFY-P32VLRM-E	PFFY-P40VLRM-E	PFFY-P50VLRM-E	PFFY-P63VLRM-E	Dwg. No.	Price	Revision History
		Part Name									
401	R63 652 131	G	Fixing plate		2	2	2	2	W353715H01		
402	R63 Y02 140	G	Fan stand		1	1			W258828G03		
403	R63 Y03 140	G	Fan stand				1	1	W258828G04		
404	R63 766 104	G	Rubber bush		2	2	2	2	W491760H02		
405	R63 025 101	G	Sirocco fan assy		2	2			W234945G03		
406	R63 045 103	G	Sirocco fan assy				2	2	W234904G01		
407	R63 840 675	G	Fan cover		2	2			W234951G02		
408	R63 839 675	G	Fan cover				2	2	W234951G01		
409	R63 Y93 220	G	Motor (18W,4P)	<MF>18W,1Phase,220V	1				P714582X01		
410	R63 Y94 220	G	Motor (30W,4P)	<MF>30W,1Phase,220V		1			P714583X01		
411	R63 Y96 220	G	Motor (35W,4P)	<MF>35W,1Phase,220V			1		P714631X01		
412	R63 Y95 220	G	Motor (50W,4P)	<MF>50W,1Phase,220V				1	P714584X01		
413	R63 370 130	G	Motor support		1	1	1		W234925H06		
414	R63 Y14 252	G	Capacitor (1.5μF)	<C>	1	1			P412234X01		
415	R63 Y15 252	G	Capacitor (2.0μF)	<C>			1		P412235X01		
416	R63 F78 252	G	Capacitor (2.5μF)	<C>				1	P412213X01		

PFFY-P20,P25,P32VLEM-E
PFFY-P40,P50,P63VLEM-E
PFFY-P20,P25,P32VLRM-E
PFFY-P40,P50,P63VLRM-E

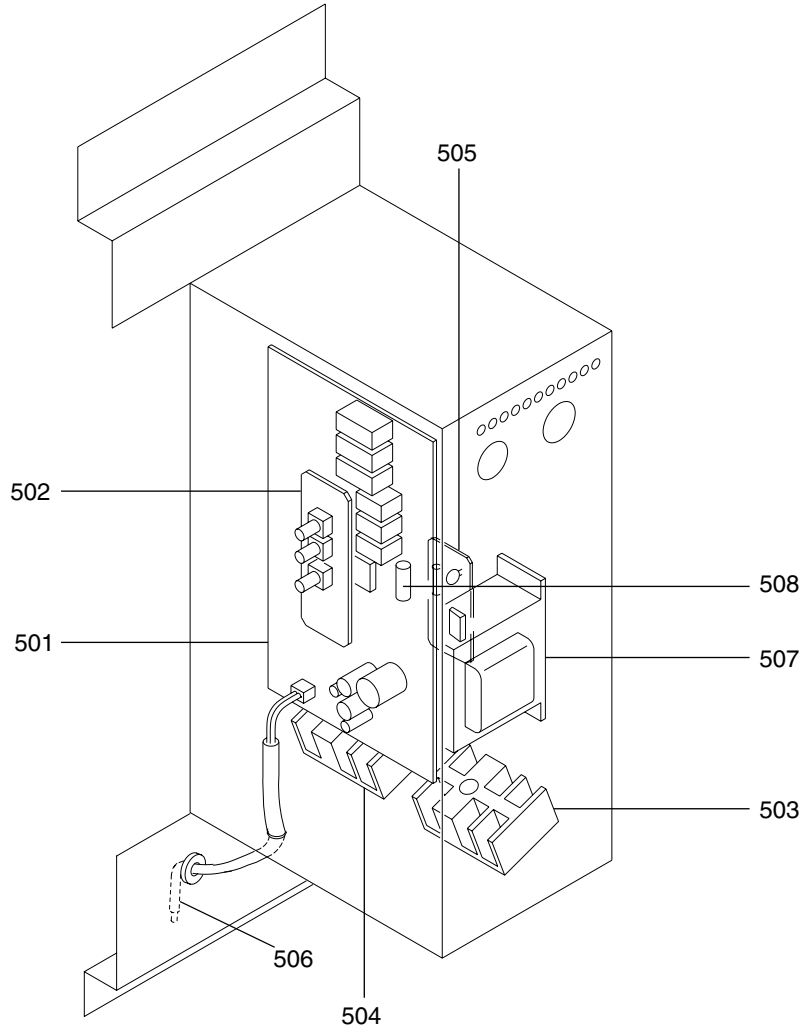
CONTROL BOX PARTS



No.	Part No.	RoHS Compliant : G		Spec.	PFFY-P20VLEM-E	PFFY-P25VLEM-E	PFFY-P32VLEM-E	PFFY-P40VLEM-E	Dwg. No.	Price	Revision History
			Part Name								
501	R63 Y36 281	G	Controller board (RY)	<I.B>	1	1	1	1	W849072G06		
502	R63 Y37 281	G	Address board (AD)	<A.B>	1	1	1	1	W849036G09		
503	R63 Y08 715	G	Terminal block	<TB2>	1	1	1	1	P436157X01		
504	R63 336 246	G	Terminal block	<TB5>,<TB15>	1	1	1	1	P436114X03		
505	R63 Y22 280	G	DSA board (FP-DSA)	<S.B>	1	1	1	1	W849072G13		
506	R63 373 202	G	Sensor processing (inlet)	<TH21>	1	1	1	1	P425455X01		
507	R61 Y28 260	G	Transformer	<T> 240V/23.5V	1	1	1	1	P715396X01		
508	R63 Y02 241	G	Fuse	<F> 250V 6.3A	1	1	1	1	S423001H14		

PFFY-P20,P25,P32VLEM-E
PFFY-P40,P50,P63VLEM-E
PFFY-P20,P25,P32VLRM-E
PFFY-P40,P50,P63VLRM-E

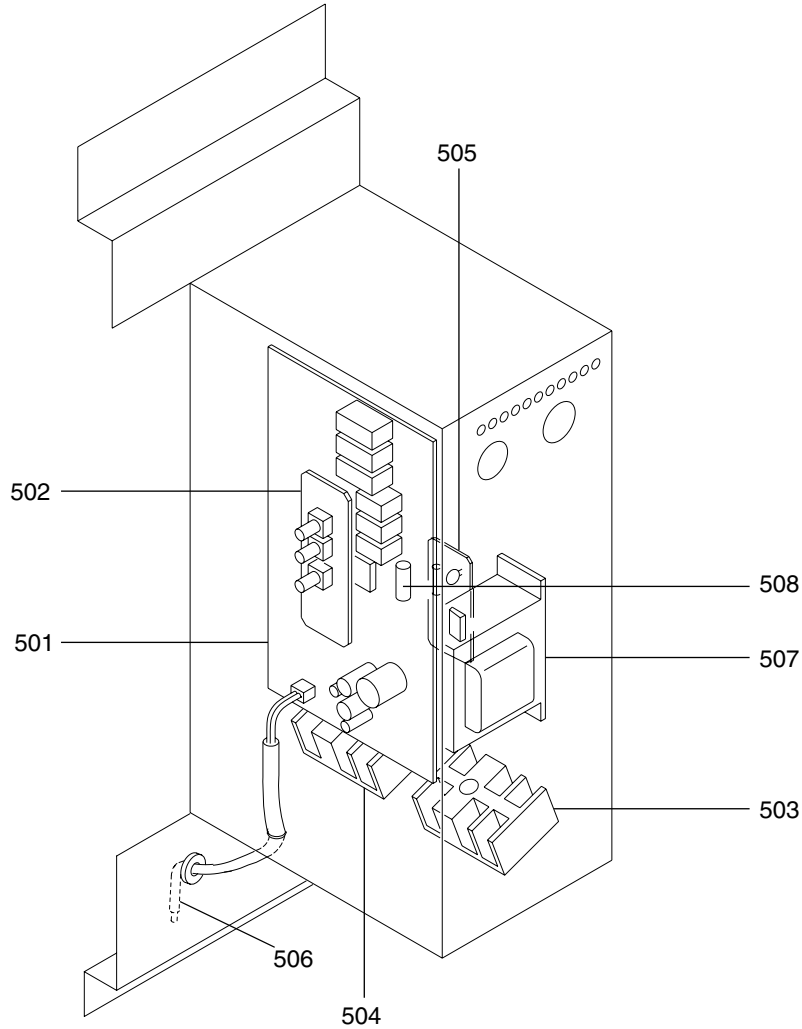
CONTROL BOX PARTS



No.	Part No.	RoHS Compliant : G		Spec.	PFFY-P50VLEM-E	PFFY-P63VLEM-E	PFFY-P20VLRM-E	PFFY-P25VLRM-E	Dwg. No.	Price	Revision History
		Part Name									
501	R63 Y36 281	G	Controller board (RY)	<I.B>	1	1	1	1	W849072G06		
502	R63 Y37 281	G	Address board (AD)	<A.B>	1	1	1	1	W849036G09		
503	R63 Y08 715	G	Terminal block	<TB2>	1	1	1	1	P436157X01		
504	R63 336 246	G	Terminal block	<TB5>,<TB15>	1	1	1	1	P436114X03		
505	R63 Y22 280	G	DSA board (FP-DSA)	<S.B>	1	1	1	1	W849072G13		
506	R63 373 202	G	Sensor processing (inlet)	<TH21>	1	1	1	1	P425455X01		
507	R61 Y28 260	G	Transformer	<T> 240V/23.5V	1	1	1	1	P715396X01		
508	R63 Y02 241	G	Fuse	<F> 250V 6.3A	1	1	1	1	S423001H14		

PFFY-P20,P25,P32VLEM-E
PFFY-P40,P50,P63VLEM-E
PFFY-P20,P25,P32VLRM-E
PFFY-P40,P50,P63VLRM-E

CONTROL BOX PARTS



No.	Part No.	RoHS Compliant : G		Spec.	PFFY-P32VLRM-E	PFFY-P40VLRM-E	PFFY-P50VLRM-E	PFFY-P63VLRM-E	Dwg. No.	Price	Revision History
			Part Name								
501	R63 Y36 281	G	Controller board (RY)	<I.B>	1	1	1	1	W849072G06		
502	R63 Y37 281	G	Address board (AD)	<A.B>	1	1	1	1	W849036G09		
503	R63 Y08 715	G	Terminal block	<TB2>	1	1	1	1	P436157X01		
504	R63 336 246	G	Terminal block	<TB5>,<TB15>	1	1	1	1	P436114X03		
505	R63 Y22 280	G	DSA board (FP-DSA)	<S.B>	1	1	1	1	W849072G13		
506	R63 373 202	G	Sensor processing (inlet)	<TH21>	1	1	1	1	P425455X01		
507	R61 Y28 260	G	Transformer	<T> 240V/23.5V	1	1	1	1	P715396X01		
508	R63 Y02 241	G	Fuse	<F> 250V 6.3A	1	1	1	1	S423001H14		

