

SERVICE PARTS LIST FOR MITSUBISHI ELECTRIC PACKAGED AIR-CONDITIONERS

Series **PFFY-P-VLEM-A**
PFFY-P-VLRM-A

For use with the R407C & R22

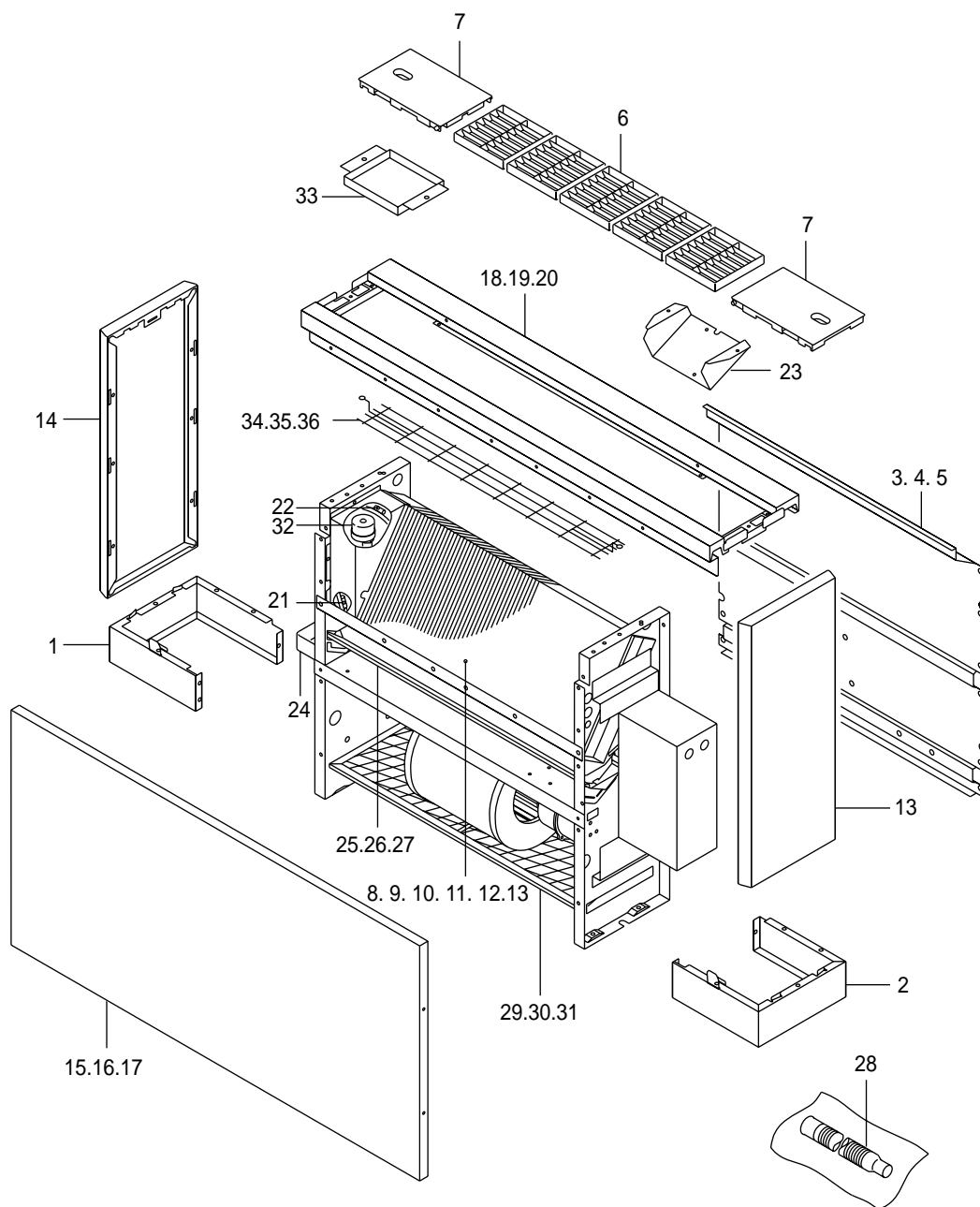
Feb. 2001

INDEX

PFFY-P(20,25,32,40,50,63)VLEM-A

PFFY-P(20,25,32,40,50,63)VLRM-A

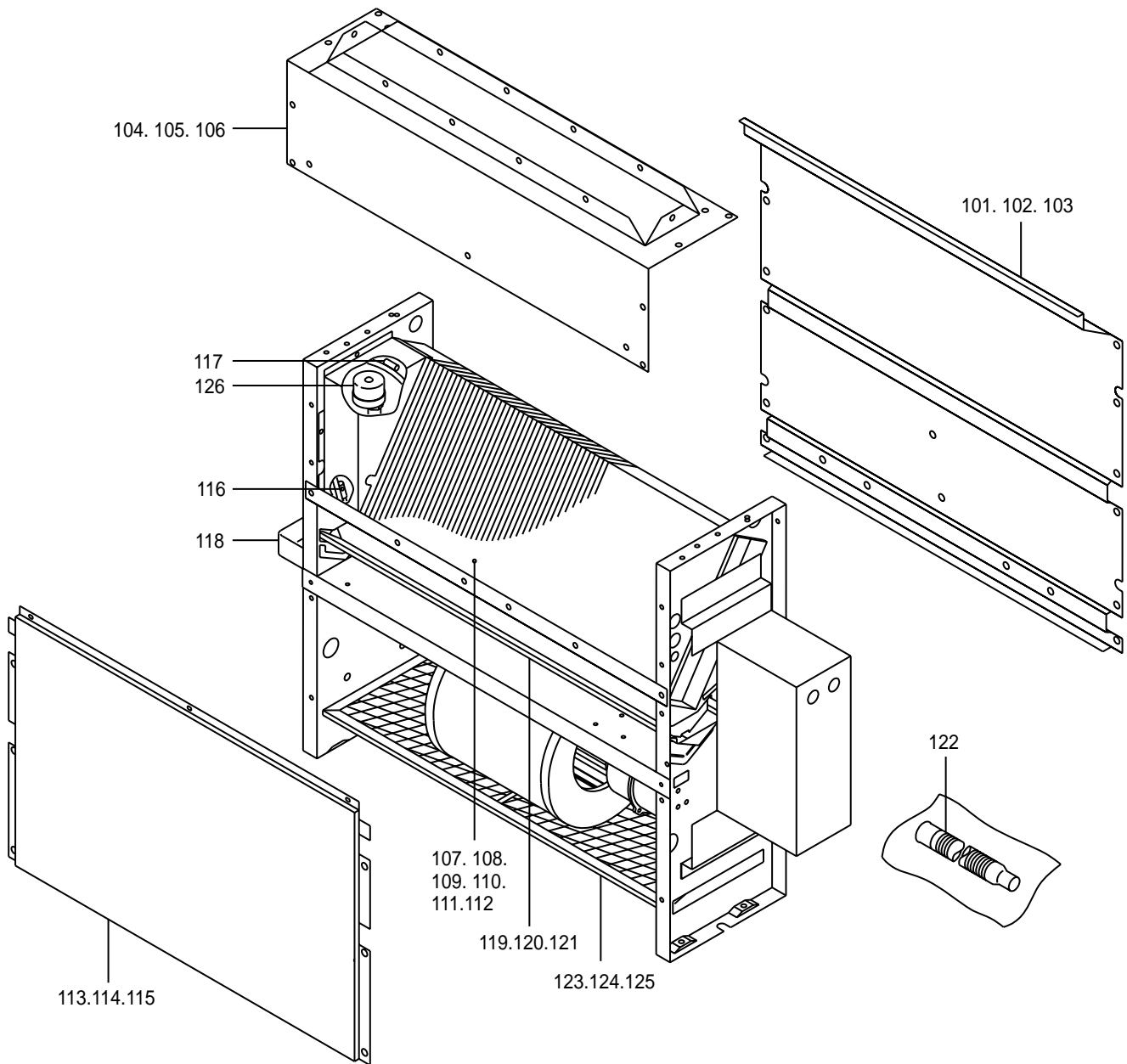
PFFY-P(20,25,32,40,50,63)VLEM-A
EXTERNAL PARTS



PFFY-P(20,25,32,40,50,63)VLEM-A
EXTERNAL PARTS

No.	Part No.	Part Name	Dwg. No.	Q'ty / Set						Spec.	Price
				PFFY -P20 VLEM-A	PFFY -P25 VLEM-A	PFFY -P32 VLEM-A	PFFY -P40 VLEM-A	PFFY -P50 VLEM-A	PFFY -P63 VLEM-A		
1	R61 370 001	Decorative plate ass'y	W242240H03	1	1	1	1	1	1		
2	R61 371 001	Decorative plate ass'y	W242240H04	1	1	1	1	1	1		
3	R61 370 035	Rear panel	W235706H03	1	1						
4	R61 371 035	Rear panel	W235706H04			1	1				
5	R61 373 035	Rear panel	W235706H05					1	1		
6	R40 025 501	Outlet grill	W235590H01	5	5	6	6	8	8		
7	R40 025 079	Control lid ass'y	W356687G01	2	2	2	2	2	2		
8	R61 Y03 481	Heat exchanger ass'y	W264350G22	1							
9	R61 Y53 480	Heat exchanger ass'y	W264350G17		1						
10	R61 Y54 480	Heat exchanger ass'y	W264350G18			1					
11	R61 Y55 480	Heat exchanger ass'y	W264350G19				1				
12	R61 Y56 480	Heat exchanger ass'y	W264350G20					1			
13	R61 Y57 480	Heat exchanger ass'y	W264350G21						1		
14	R61 Y17 111	Casing S	W264366G02	2	2	2	2	2	2		
15	R61 Y18 111	Casing ass'y F	W390777G10	1	1						
16	R61 Y19 111	Casing ass'y F	W390777G11			1	1				
17	R61 Y20 111	Casing ass'y F	W390777G12					1	1		
18	R61 Y21 111	Casing ass'y U	W248559G13	1	1						
19	R61 Y22 111	Casing ass'y U	W248559G14			1	1				
20	R61 Y23 111	Casing ass'y U	W248559G15					1	1		
21	R61 367 202	Thermistor (gas)	P425453X01	1	1	1	1	1	1	<TH23>	
22	R61 367 203	Thermistor (liquid)	P425454X01	1	1	1	1	1	1	<TH22>	
23	R61 Y08 049	Switch panel ass'y	W615607G05	1	1	1	1	1	1		
24	R40 025 051	Drain pan 2	W356666H01	1	1	1	1	1	1		
25	R61 Y16 529	Drain pan ass'y 1	W356664G24	1	1						
26	R61 Y17 529	Drain pan ass'y 1	W356664G25			1	1				
27	R61 Y18 529	Drain pan ass'y 1	W356664G26					1	1		
28	R40 025 049	Drain hose	W356677H01	1	1	1	1	1	1		
29	R40 169 510	Filter	W235592G03	1	1						
30	R40 240 510	Filter	W235592G04			1	1				
31	R40 340 510	Filter	W235592G05					1	1		
32	R61 373 401	Linear expansion valve	P632256X01	1	1	1	1	1	1	<LEV> EDM-402	
33	R61 Y07 049	Switch panel	W631056H01	1	1	1	1	1	1		
34	R61 Y01 611	Fin guard	W622564G04	1	1						
35	R61 Y02 611	Fin guard	W622564G05			1	1				
36	R61 Y03 611	Fin guard	W622564G06					1	1		

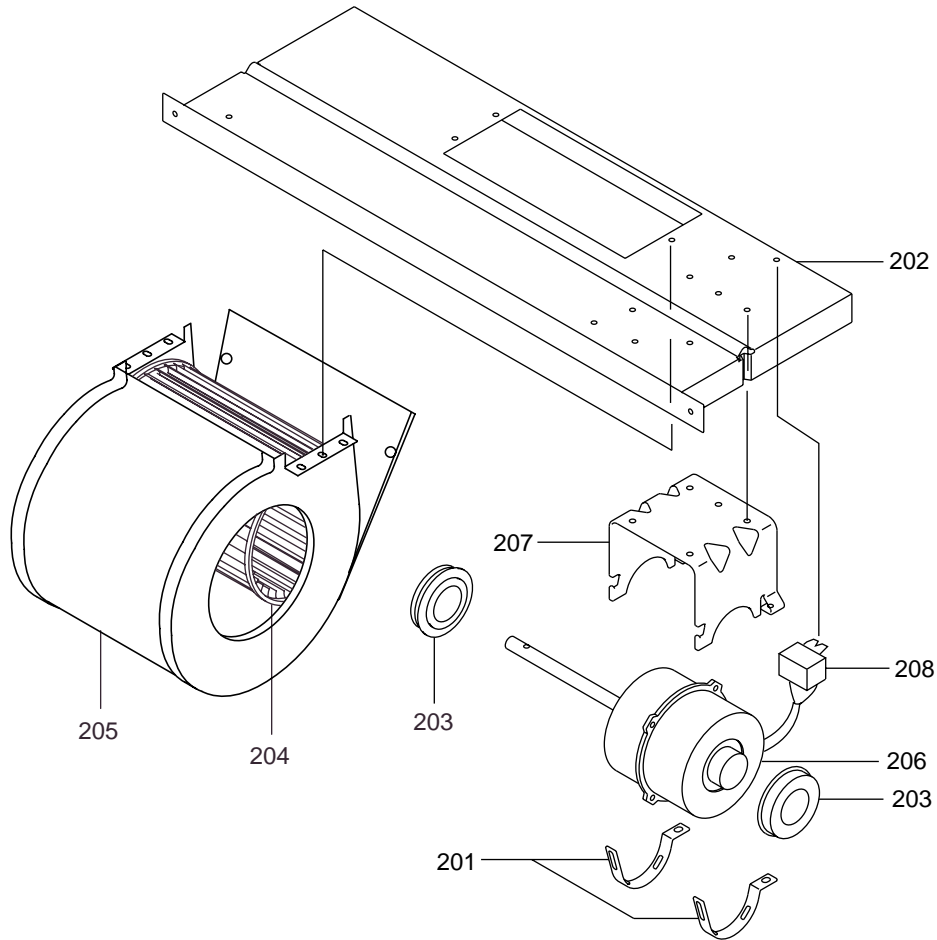
PFFY-P(20,25,32,40,50,63)VLRM-A
EXTERNAL PARTS



PFFY-P(20,25,32,40,50,63)VLRM-A
EXTERNAL PARTS

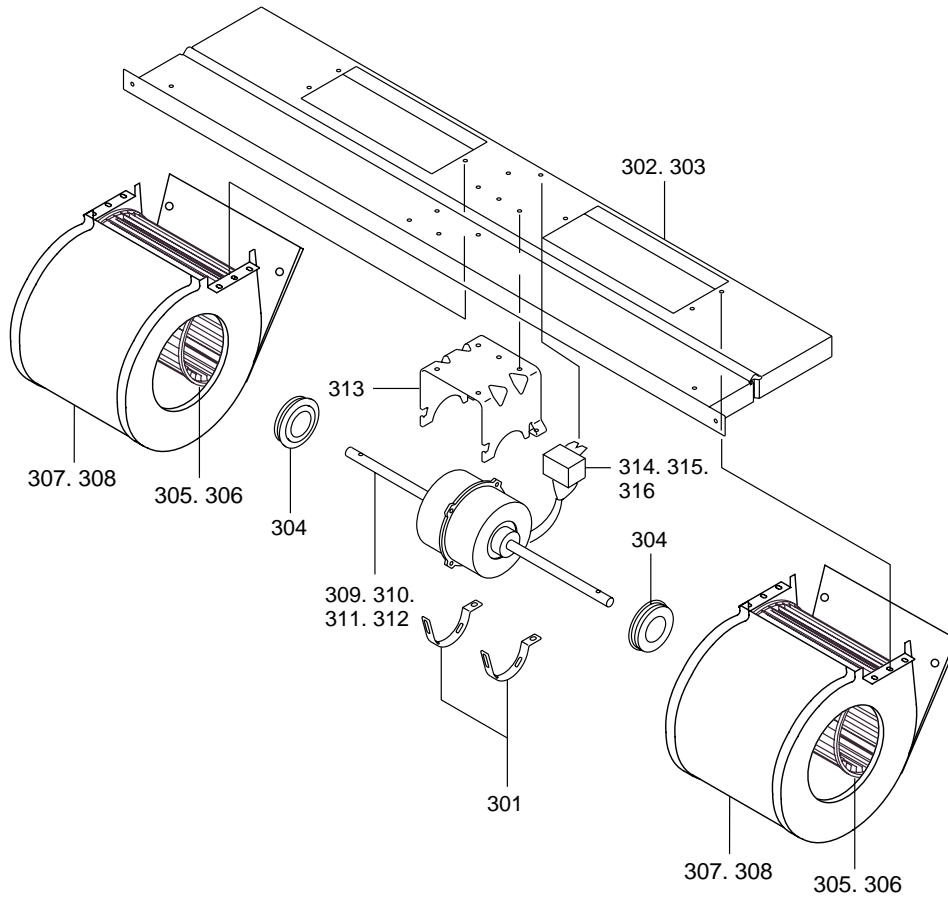
No.	Part No.	Part Name	Dwg. No.	Q'ty / Set						Spec.	Price
				PFFY -P20 VLRM-A	PFFY -P25 VLRM-A	PFFY -P32 VLRM-A	PFFY -P40 VLRM-A	PFFY -P50 VLRM-A	PFFY -P63 VLRM-A		
101	R61 370 035	Rear panel	W235706H03	1	1						
102	R61 371 035	Rear panel	W235706H04			1	1				
103	R61 373 035	Rear panel	W235706H05					1	1		
104	R61 Y01 071	Outlet grill	W358804G08	1	1						
105	R61 Y02 071	Outlet grill	W358804G09			1	1				
106	R61 Y03 071	Outlet grill	W358804G10					1	1		
107	R61 Y03 481	Heat exchanger ass'y	W264350G22	1							
108	R61 Y53 480	Heat exchanger ass'y	W264350G17		1						
109	R61 Y54 480	Heat exchanger ass'y	W264350G18			1					
110	R61 Y55 480	Heat exchanger ass'y	W264350G19				1				
111	R61 Y56 480	Heat exchanger ass'y	W264350G20					1			
112	R61 Y57 480	Heat exchanger ass'y	W264350G21						1		
113	R61 Y07 111	Casing ass'y FD	W358806G08	1	1						
114	R61 Y08 111	Casing ass'y FD	W358806G09			1	1				
115	R61 Y09 111	Casing ass'y FD	W358806G10					1	1		
116	R61 367 202	Thermistor (gas)	P425453X01	1	1	1	1	1	1	<TH23>	
117	R61 367 203	Thermistor (liquid)	P425454X01	1	1	1	1	1	1	<TH22>	
118	R40 025 051	Drain pan 2	W356666H01	1	1	1	1	1	1		
119	R61 Y16 529	Drain pan ass'y 1	W356664G24	1	1						
120	R61 Y17 529	Drain pan ass'y 1	W356664G25			1	1				
121	R61 Y18 529	Drain pan ass'y 1	W356664G26					1	1		
122	R40 025 049	Drain hose	W356677H01	1	1	1	1	1	1		
123	R40 169 510	Filter	W235592G03	1	1						
124	R40 240 510	Filter	W235592G04			1	1				
125	R40 340 510	Filter	W235592G05					1	1		
126	R61 373 401	Linear expansion valve	P632256X01	1	1	1	1	1	1	<LEV>EDM-402	

PFFY-P20,25VLEM-A
PFFY-P20,25VLRM-A
BLOWER PARTS



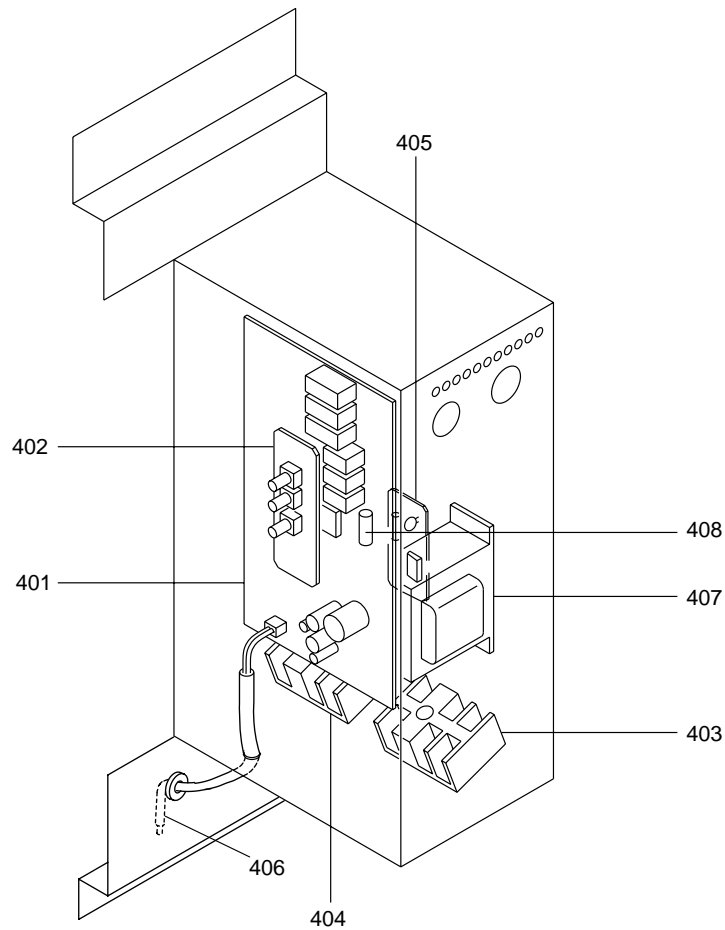
No.	Part No.	Part Name	Dwg. No.	Q'ty / Set					Spec.	Price
				PFFY -P20	PFFY -P25					
201	R61 652 131	Fixing plate	W353715H01	2	2					
202	R61 Y01 140	Fan stand	W618676G02	1	1					
203	R61 766 104	Rubber bush	W491760H02	2	2					
204	R40 045 103	Sirocco fan ass'y	W234904G01	1	1					
205	R61 839 675	Fan cover	W234951G01	1	1					
206	R61 Y92 220	Motor (15W,4P)	P714581X01	1	1				<MF>15W,1Phase,220V	
207	R61 370 130	Motor support	W234925H06	1	1					
208	R61 Y14 252	Condenser (1.5μF)	P412234X01	1	1					

PFFY-P(32,40,50,63)VLEM-A
PFFY-P(32,40,50,63)VLRM-A
BLOWER PARTS



No.	Part No.	Part Name	Dwg. No.	Q'ty / Set				Spec.	Price
				PFFY -P32	PFFY -P40	PFFY -P50	PFFY -P63		
301	R61 652 131	Fixing plate	W353715H01	2	2	2	2		
302	R61 Y02 140	Fan stand	W258828G03	1	1				
303	R61 Y03 140	Fan stand	W258828G04			1	1		
304	R61 766 104	Rubber bush	W491760H02	2	2	2	2		
305	R40 025 101	Sirocco fan ass'y	W234945G03	2	2				
306	R40 045 103	Sirocco fan ass'y	W234904G01			2	2		
307	R61 840 675	Fan cover	W234951G02	2	2				
308	R61 839 675	Fan cover	W234951G01			2	2		
309	R61 Y93 220	Motor (18W,4P)	P714582X01	1				<MF>18W,1Phase,220V	
310	R61 Y94 220	Motor (30W,4P)	P714583X01		1			<MF>30W,1Phase,220V	
311	R61 Y96 220	Motor (35W,4P)	P714631X01			1		<MF>35W,1Phase,220V	
312	R61 Y95 220	Motor (50W,4P)	P714584X01				1	<MF>50W,1Phase,220V	
313	R61 370 130	Motor support	W234925H06	1	1	1			
314	R61 Y14 252	Condenser (1.5μF)	P412234X01	1	1			<C>	
315	R61 Y15 252	Condenser (2.0μF)	P412235X01			1		<C>	
316	R61 F78 252	Condenser (2.5μF)	P412213X01				1	<C>	

PFFY-P(20,25,32,40,50,63)VLEM-A
PFFY-P(20,25,32,40,50,63)VLRM-A
CONTROL BOX PARTS



No.	Part No.	Part Name	Dwg. No.	Q'ty / Set						Spec.	Price
				PFFY -P20	PFFY -P25	PFFY -P32	PFFY -P40	PFFY -P50	PFFY -P63		
401	R61 Y78 280	Controller board (RY)	W849036G05	1	1	1	1	1	1	<I.B>	
402	R61 Y77 280	Address board (AD)	W849036G06	1	1	1	1	1	1	<A.B>	
403	R61 Y08 715	Terminal bed	P436157X01	1	1	1	1	1	1	<TB2>	
404	R61 336 246	Terminal bed	P436114X03	1	1	1	1	1	1	<TB5>,<TB15>	
405	R61 Y22 280	DSA board (FP-DSA)	W848419G01	1	1	1	1	1	1	<S.B>	
406	R61 373 202	Sensor processing (inlet)	P425455X01	1	1	1	1	1	1	<TH21>	
407	R61 Y08 260	Transformer	P715268X02	1	1	1	1	1	1	<T> 240V/23.5V	
408	R61 Y02 241	Fuse	S423001H14	1	1	1	1	1	1	<F> 250V 6.3A	

